



US00D771183S

(12) **United States Design Patent**
Kim et al.

(10) **Patent No.:** **US D771,183 S**
(45) **Date of Patent:** **** Nov. 8, 2016**

(54) **PRINTER**

(71) Applicant: **Samsung Electronics Co., Ltd.**,
Suwon-si (KR)

(72) Inventors: **Jong Kyu Kim**, Yongin-si (KR);
Kwang Hyuck So, Seoul (KR); **Min Chul Kim**, Seoul (KR)

(73) Assignee: **Samsung Electronics Co., Ltd.**,
Suwon-si (KR)

(**) Term: **15 Years**

(21) Appl. No.: **29/531,835**

(22) Filed: **Jun. 30, 2015**

(30) **Foreign Application Priority Data**

Dec. 31, 2014 (KR) 30-2014-0064485

(51) **LOC (10) Cl.** **14-02**

(52) **U.S. Cl.**
USPC **D18/55**

(58) **Field of Classification Search**
USPC D18/36-39, 50, 54, 54.1, 55; D14/341,
D14/356-368, 420-425, 462-470
CPC B41J 3/4075; B41J 11/58; B41J 15/12;
B41J 15/042; B41J 17/00; B41J 29/02;
B41J 29/08

See application file for complete search history.

(56) **References Cited**

U.S. PATENT DOCUMENTS

D554,698 S * 11/2007 Miller D18/55
D558,266 S * 12/2007 Falk D18/55
D562,886 S * 2/2008 Egami D18/55

D578,494 S * 10/2008 Hattori D18/55
D693,873 S * 11/2013 Fukasawa D18/55
D697,965 S * 1/2014 Fukasawa D18/55
D699,784 S * 2/2014 Penke D18/55
D724,141 S * 3/2015 Kim D18/55
D725,184 S * 3/2015 Kim D18/55
D740,359 S * 10/2015 So D18/55

* cited by examiner

Primary Examiner — Cathy Anne MacCormac

(74) *Attorney, Agent, or Firm* — NSIP Law

(57) **CLAIM**

We claim the ornamental design for a printer, as shown and described.

DESCRIPTION

FIG. 1 is a front perspective view of a printer showing our new design;
FIG. 2 is a front view thereof;
FIG. 3 is a rear view thereof;
FIG. 4 is a left-side view thereof;
FIG. 5 is a right-side view thereof;
FIG. 6 is a top view thereof; and,
FIG. 7 is a bottom view thereof.

The broken lines depict environmental subject matter and form no part of the claimed design.

1 Claim, 5 Drawing Sheets

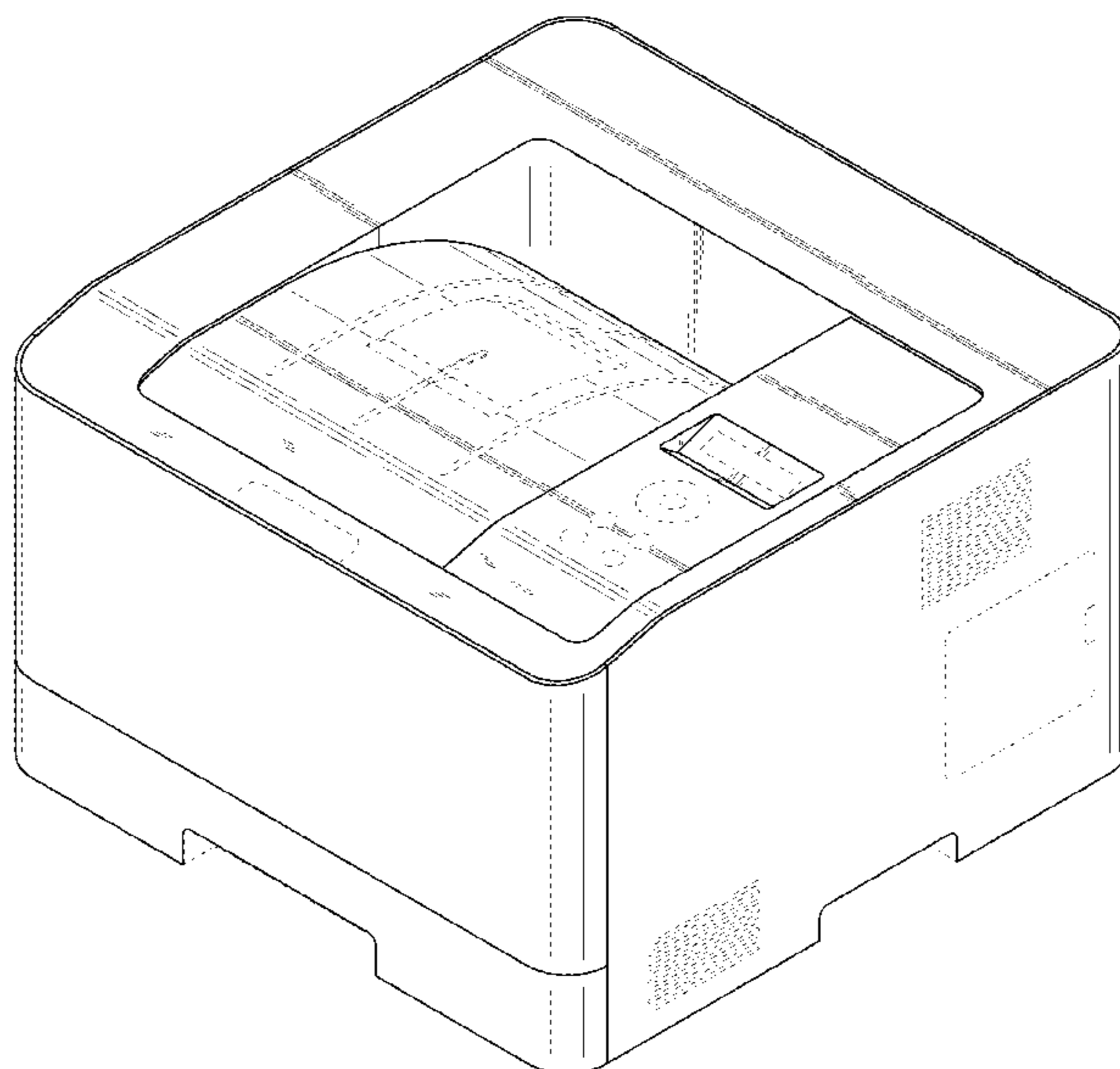


FIG.1

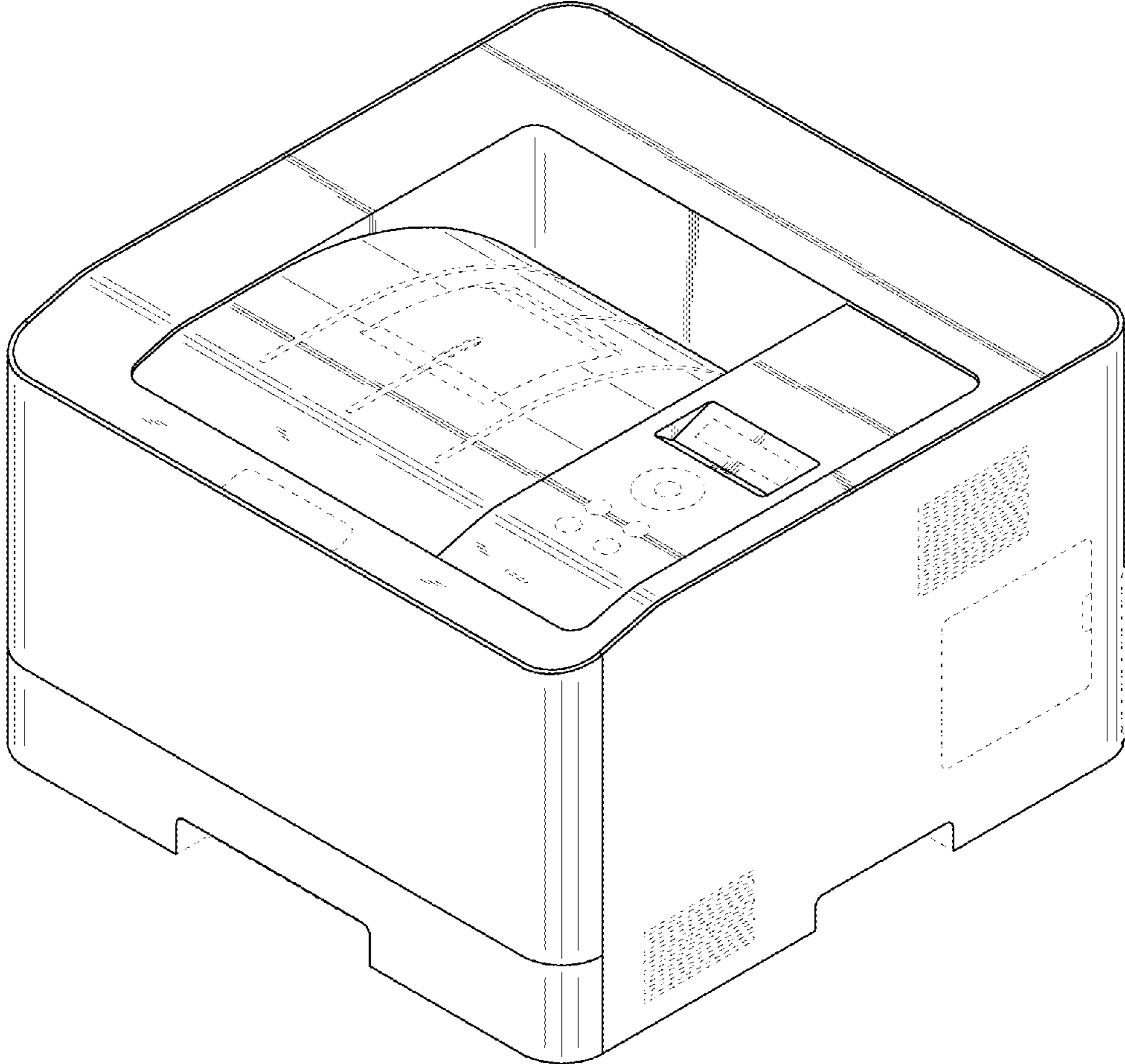


FIG.2

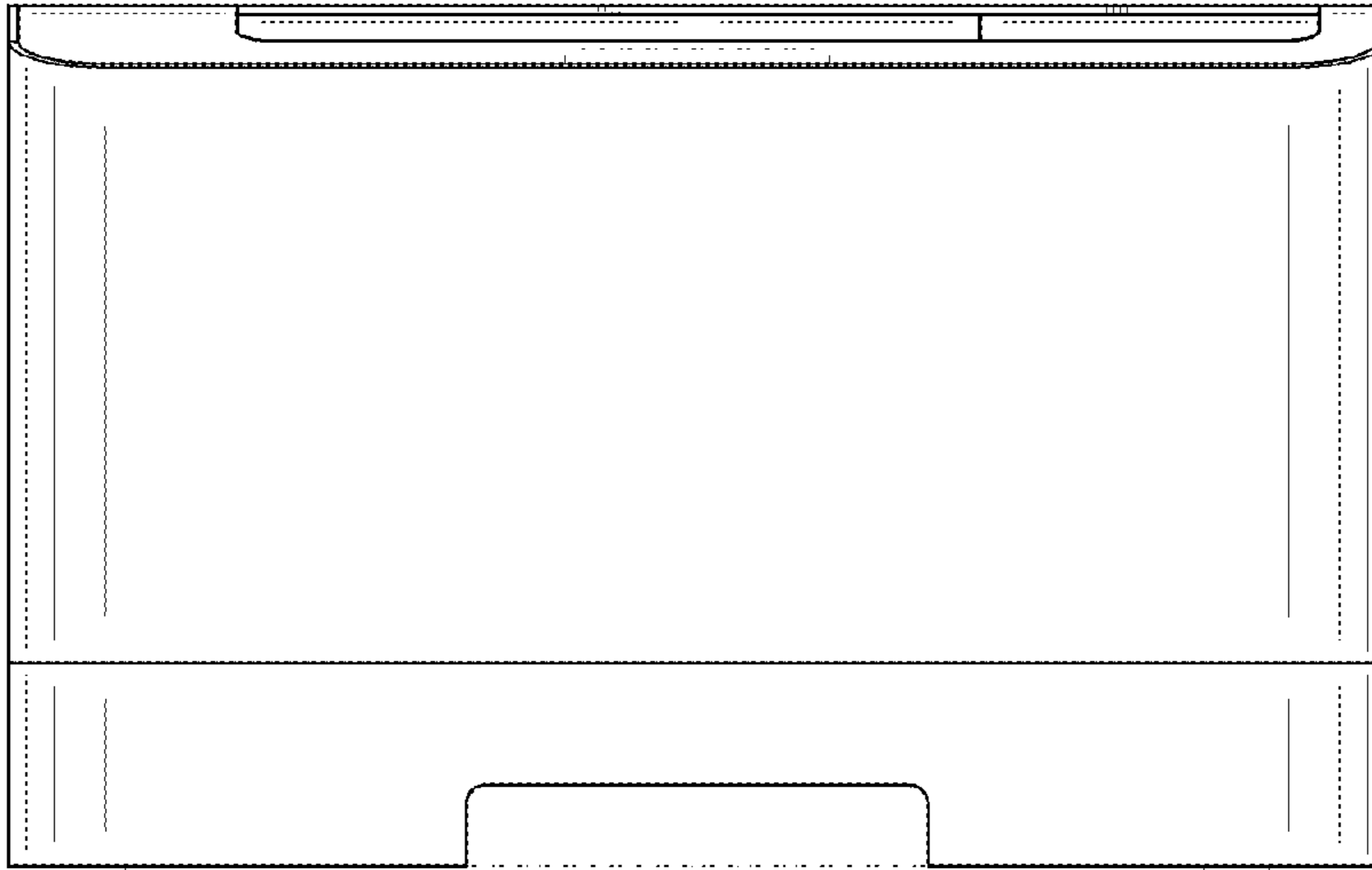


FIG.3

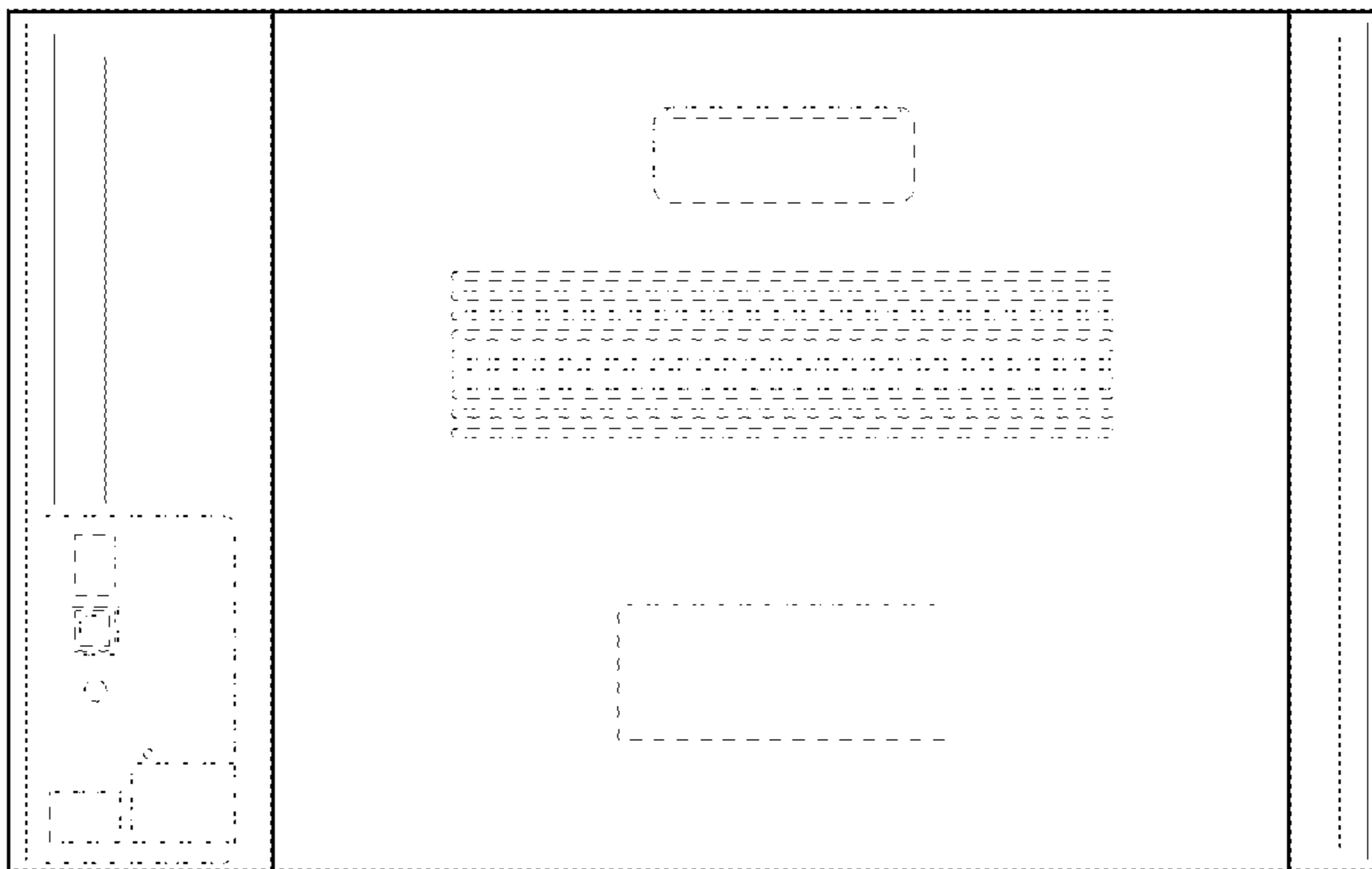


FIG.4

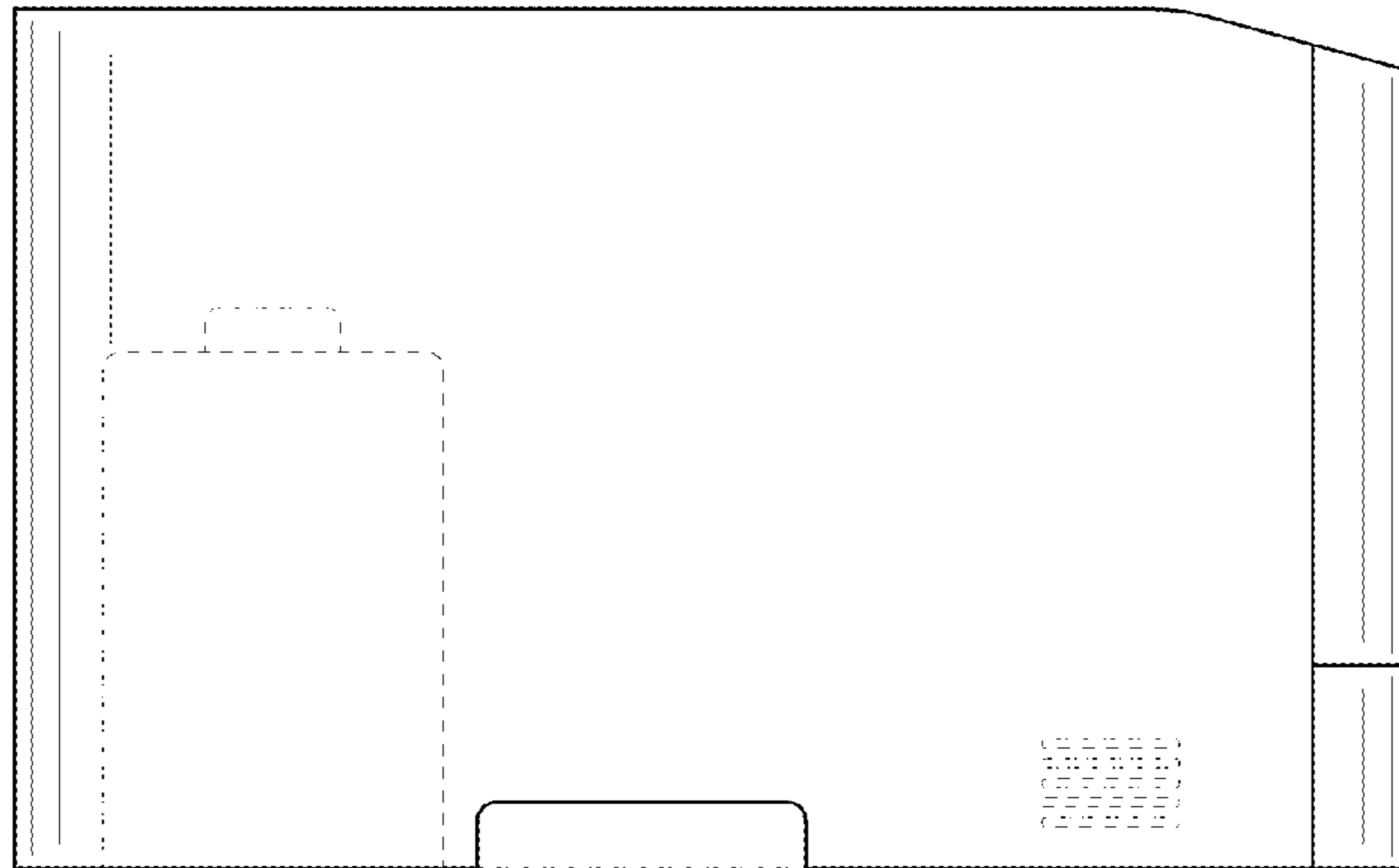


FIG.5

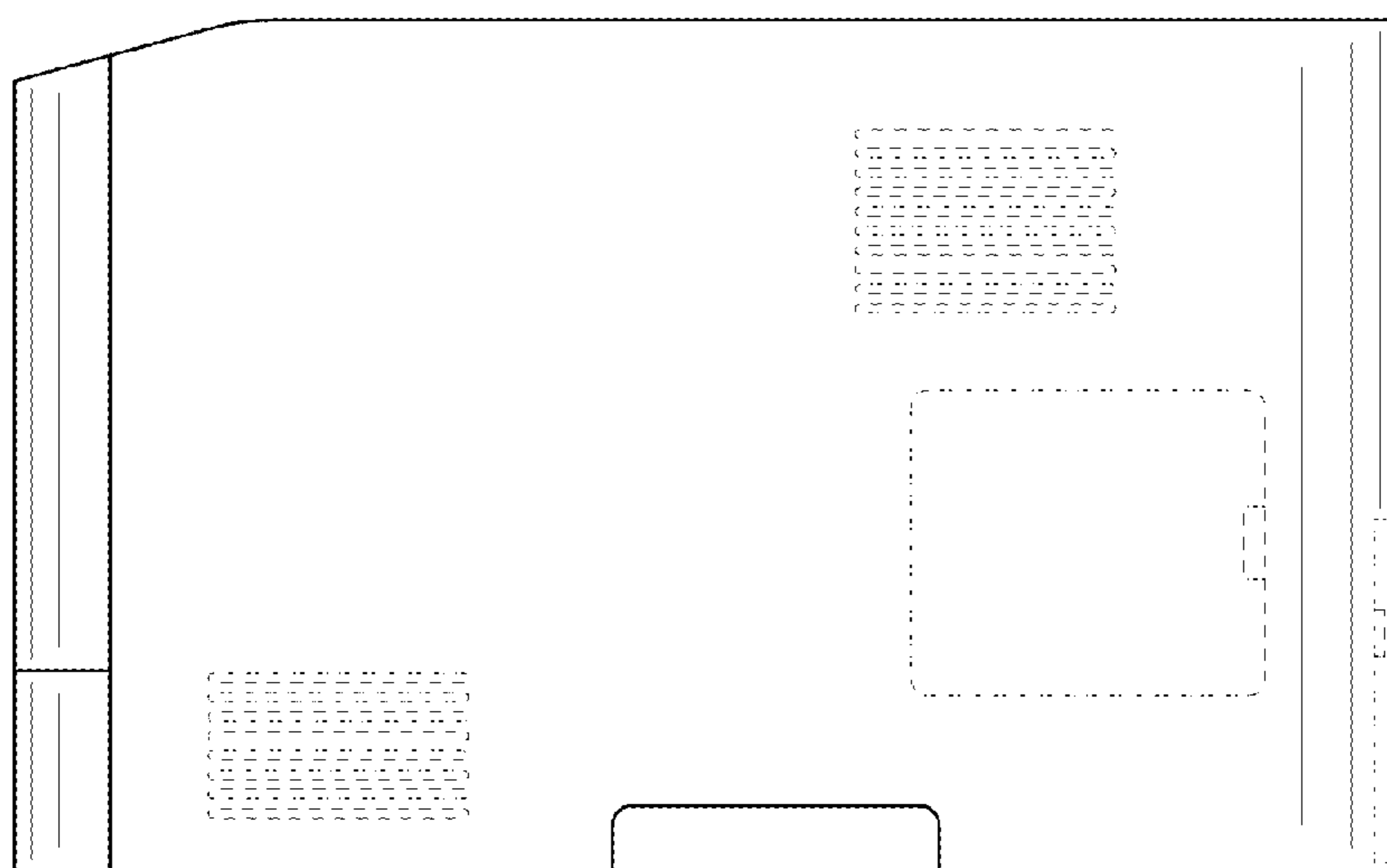


FIG.6

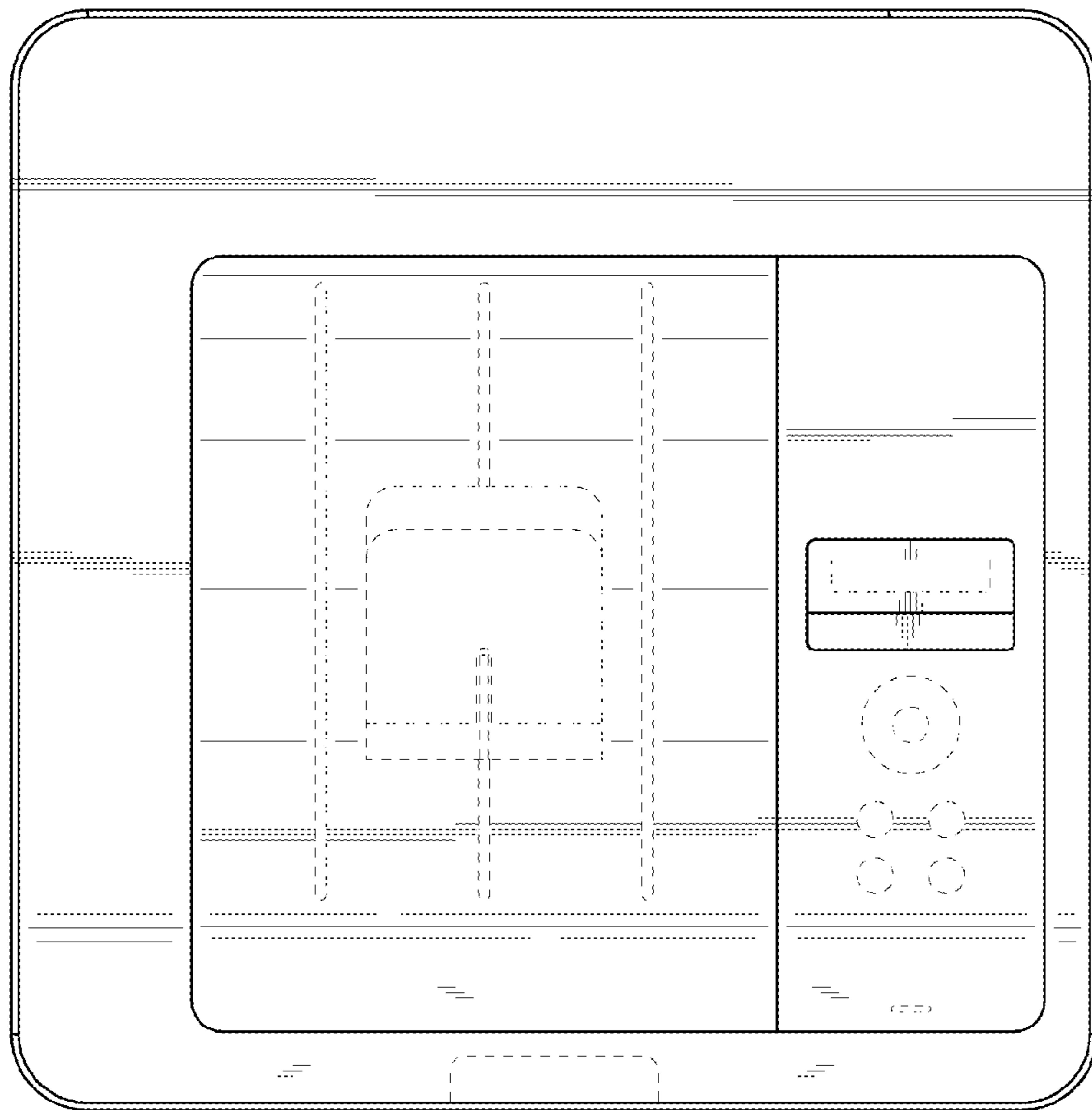


FIG.7

