



US00D771177S

(12) **United States Design Patent**
Sirius-El

(10) **Patent No.:** **US D771,177 S**
(45) **Date of Patent:** **** Nov. 8, 2016**

(54) **APPARATUS FOR PROJECTING MEDIA CONTENT ON SMART LENSES**

(71) Applicant: **Yusef Sirius-El**, Miramar, FL (US)

(72) Inventor: **Yusef Sirius-El**, Miramar, FL (US)

(**) Term: **15 Years**

(21) Appl. No.: **29/533,981**

(22) Filed: **Jul. 23, 2015**

(51) **LOC (10) Cl.** **16-06**

(52) **U.S. Cl.**
USPC **D16/309**

(58) **Field of Classification Search**
USPC D16/101, 300–342, 900; D29/109–110;
D21/483, 659–661; D14/372; 351/41,
351/44, 45–48, 51–52, 62, 158, 92,
351/103–123, 140–153, 63, 59; 2/13, 15,
2/426–432, 447–449, 441, 434–437
CPC G02C 2200/08; G02C 1/06; G02C 5/14;
G02C 11/02; G02C 11/04; G02C 5/16;
G02C 2200/22; G02C 5/146; G02C 5/2254;
G02C 5/008; G01C 5/16; A61M 2021/0044;
A63B 33/002

See application file for complete search history.

(56) **References Cited**
U.S. PATENT DOCUMENTS

D143,077 S * 12/1945 Kimball D16/325
D194,556 S * 2/1963 Ranck D16/309
3,781,560 A * 12/1973 DeBurgh G02C 11/04
250/214 VT
4,290,673 A * 9/1981 Yamamoto G02C 11/08
2/437
D354,974 S * 1/1995 Wielhouwer D16/301
D370,231 S * 5/1996 Simioni D16/312
D372,928 S * 8/1996 Brune D16/311
D375,317 S * 11/1996 Canavan D16/101
D408,431 S * 4/1999 Simioni D16/312
D427,225 S * 6/2000 Arnette D16/312
D439,266 S * 3/2001 Rose D16/309

6,824,265 B1 * 11/2004 Harper G02C 11/04
351/158
D503,422 S * 3/2005 Canavan D16/101
D509,236 S * 9/2005 Sheldon D16/306
D513,032 S * 12/2005 Diamantidis D16/300
D525,666 S * 7/2006 Yeung D16/312
D527,757 S * 9/2006 Chen D16/312
D535,682 S * 1/2007 Paulson D16/315
D536,021 S * 1/2007 Chou D16/312
D595,332 S * 6/2009 Yang D16/312
D598,040 S * 8/2009 Sheldon D16/312
D610,602 S * 2/2010 Yun D16/312
D616,915 S * 6/2010 Silveria D16/312
D626,582 S * 11/2010 Cheng D16/326
D626,987 S * 11/2010 Yang D16/312
D669,113 S * 10/2012 Sandor D16/309
D675,244 S * 1/2013 Orzeck D16/312
D675,247 S * 1/2013 Yang D16/309
D680,576 S * 4/2013 Chen D16/312
D685,839 S * 7/2013 Pearson D16/312
D687,087 S * 7/2013 Iurilli D16/309
D687,479 S * 8/2013 Moritz D16/312
D688,294 S * 8/2013 Roy D16/309
D688,295 S * 8/2013 Sheldon D16/309

(Continued)

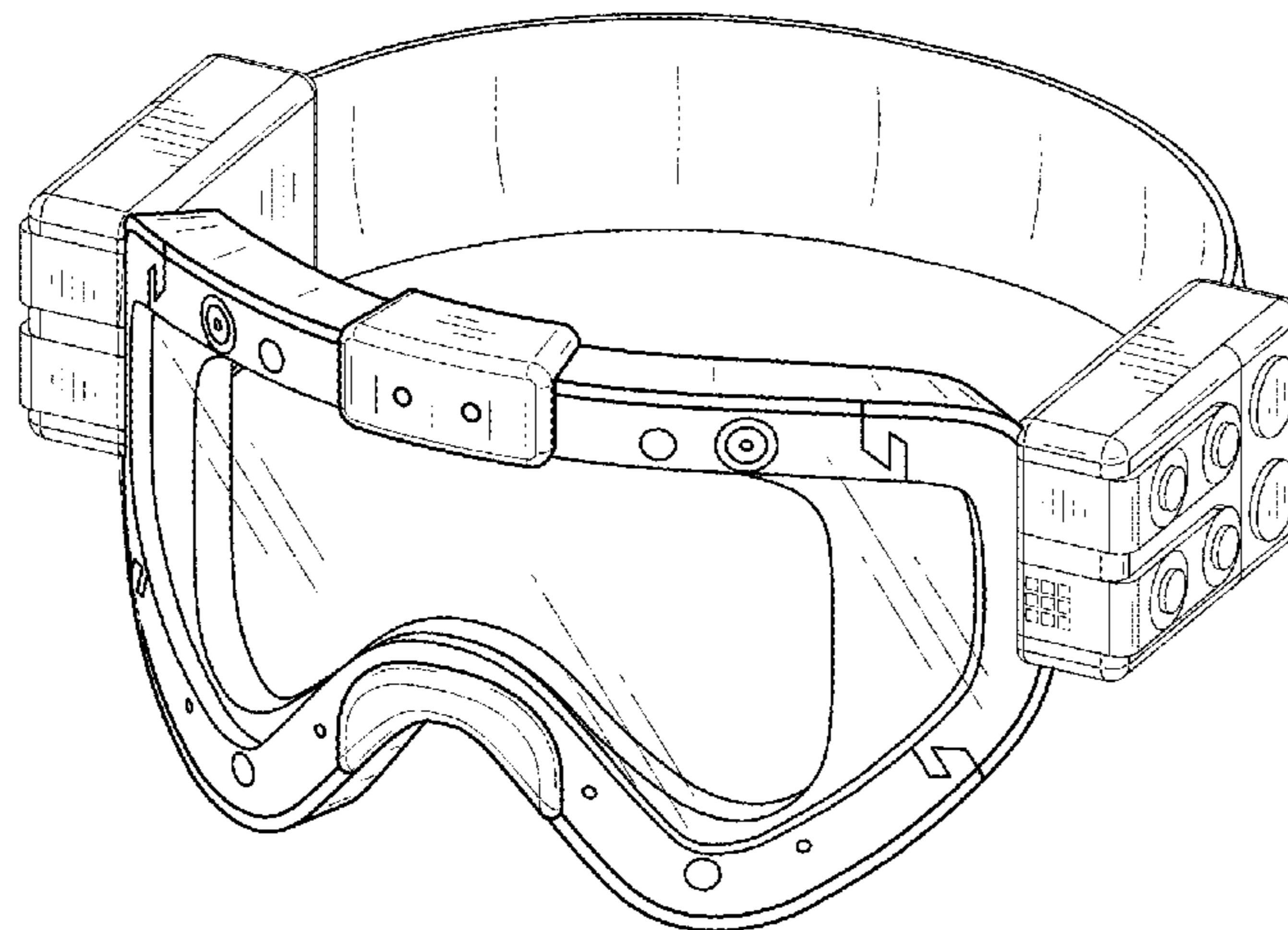
Primary Examiner — Rosemary K Tarcza
Assistant Examiner — Sanjeev Paul
(74) *Attorney, Agent, or Firm* — Carol N. Green Kaul,
Esq.

(57) **CLAIM**
The ornamental design for an apparatus for projecting media content on smart lenses, as shown and described.

DESCRIPTION

FIG. 1 is a front perspective view of the invention.
FIG. 2 is a rear perspective view of the invention.
FIG. 3 is a bottom view of the invention.
FIG. 4 is a top view of the invention.
FIG. 5 is a right side view of the invention.
FIG. 6 is a front plan view of the invention; and,
FIG. 7 is a rear plan view of the invention.

1 Claim, 6 Drawing Sheets



(56)

References Cited

U.S. PATENT DOCUMENTS

D688,296 S *	8/2013	Pearson	D16/312	D728,665 S *	5/2015	Chen	D16/311
D695,335 S *	12/2013	Goodman	D16/312	D729,307 S *	5/2015	Noordzij	D16/340
D695,818 S *	12/2013	Laperriere	D16/312	D729,865 S *	5/2015	Chen	D16/311
8,641,221 B2 *	2/2014	Wright	F21L 4/045	D736,302 S *	8/2015	Yu	D16/309
				351/158	D736,303 S *	8/2015	Yu	D16/309
D700,928 S *	3/2014	Lavoie	D16/309	D747,758 S *	1/2016	Lee	D16/312
D716,364 S *	10/2014	Chow	D16/300	D748,716 S *	2/2016	Yang	D16/312
D716,365 S *	10/2014	Yamano	D16/300	D748,717 S *	2/2016	Yang	D16/312
D723,094 S *	2/2015	Chen	D16/312	D755,279 S *	5/2016	Valenti	D16/312
D725,175 S *	3/2015	Wang-Lee	D16/312	D756,445 S *	5/2016	Blanchard	D16/312
D725,695 S *	3/2015	Garfias	D16/313	D757,155 S *	5/2016	Noordzij	D16/310
D727,398 S *	4/2015	Blanchard	D16/312	2007/0279577 A1 *	12/2007	Stanley	A61F 9/025
									351/62
					2008/0316421 A1 *	12/2008	Wang	A61F 9/025
									351/62

* cited by examiner

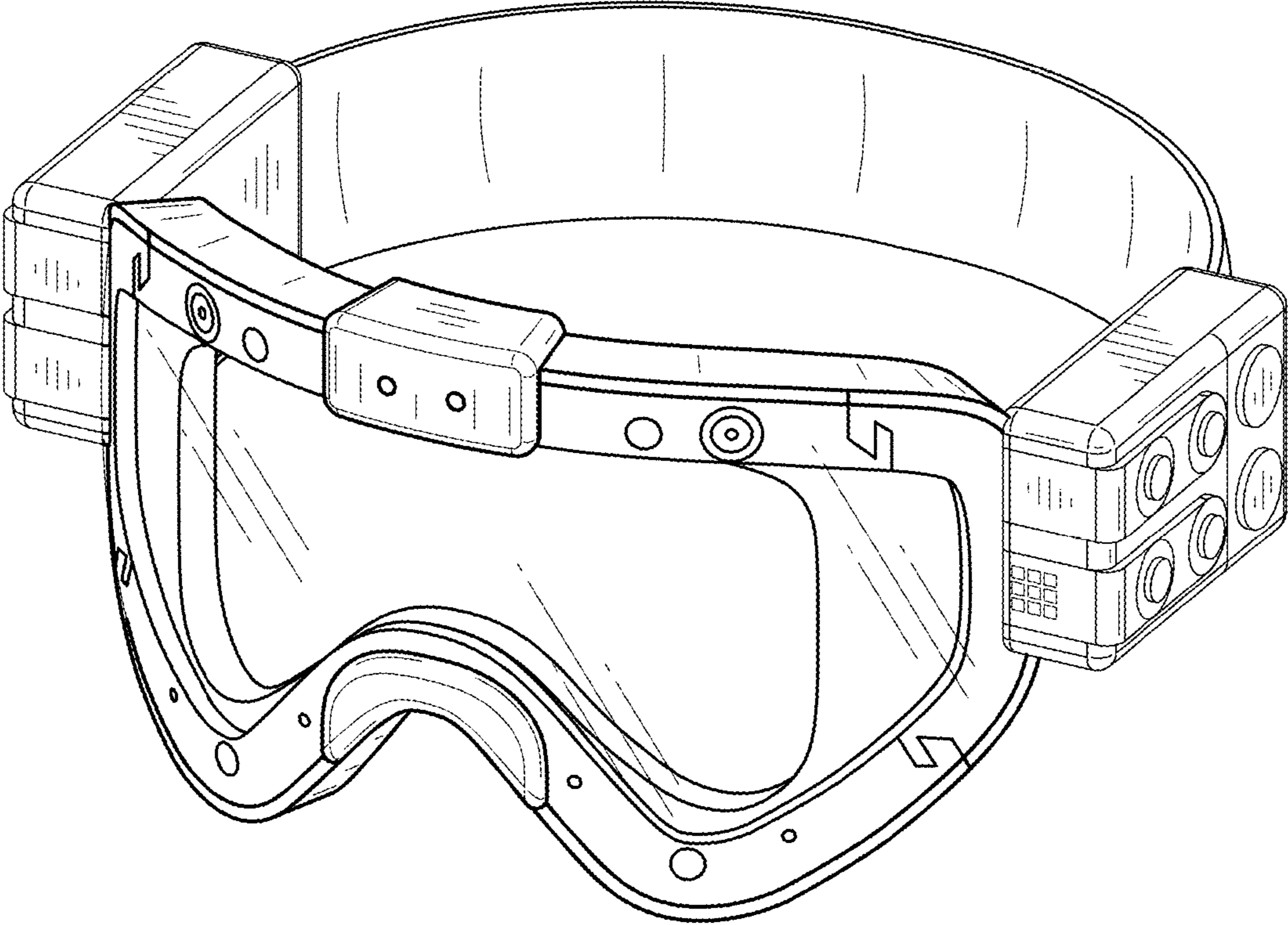


FIG. 1

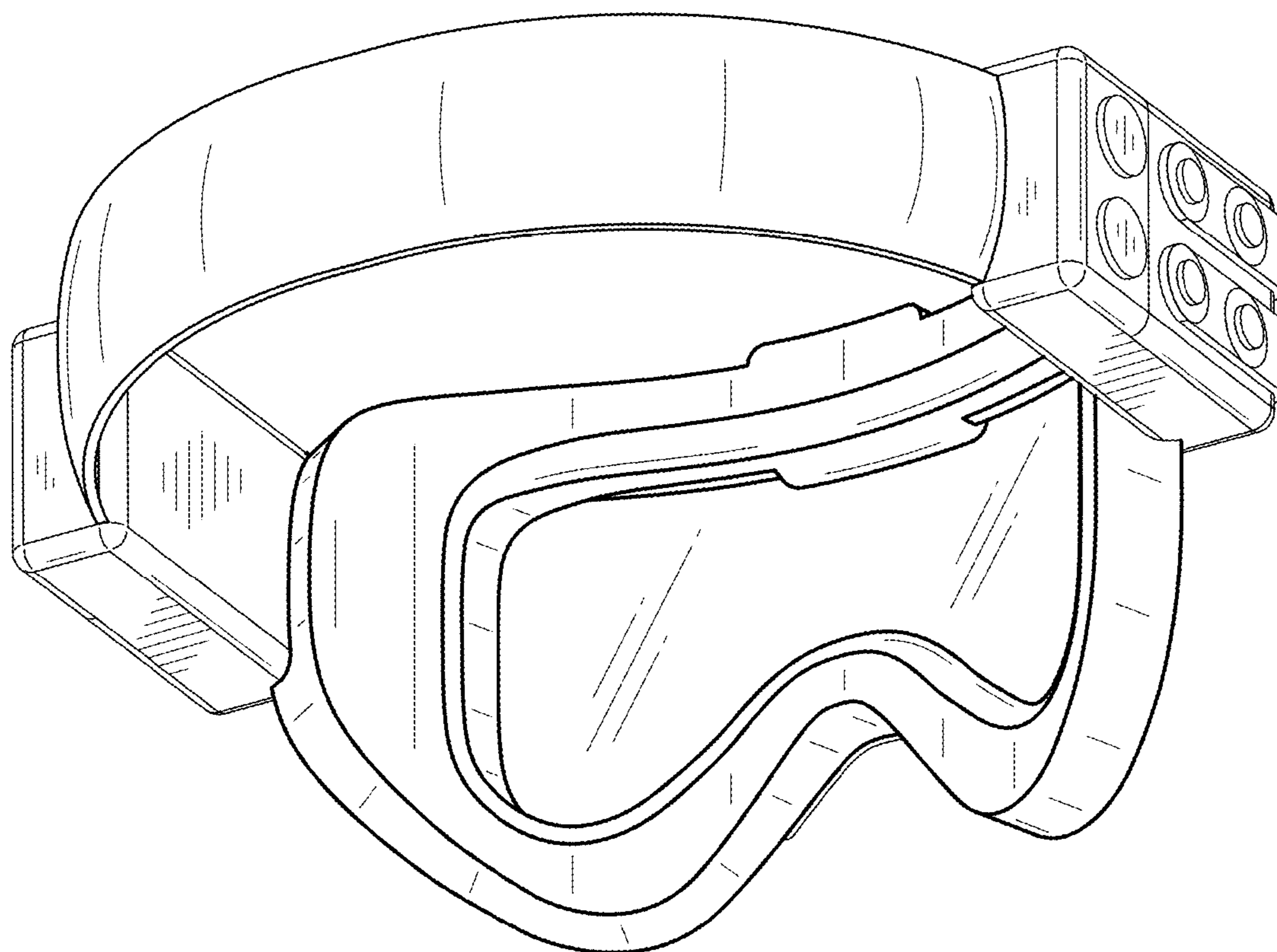


FIG. 2

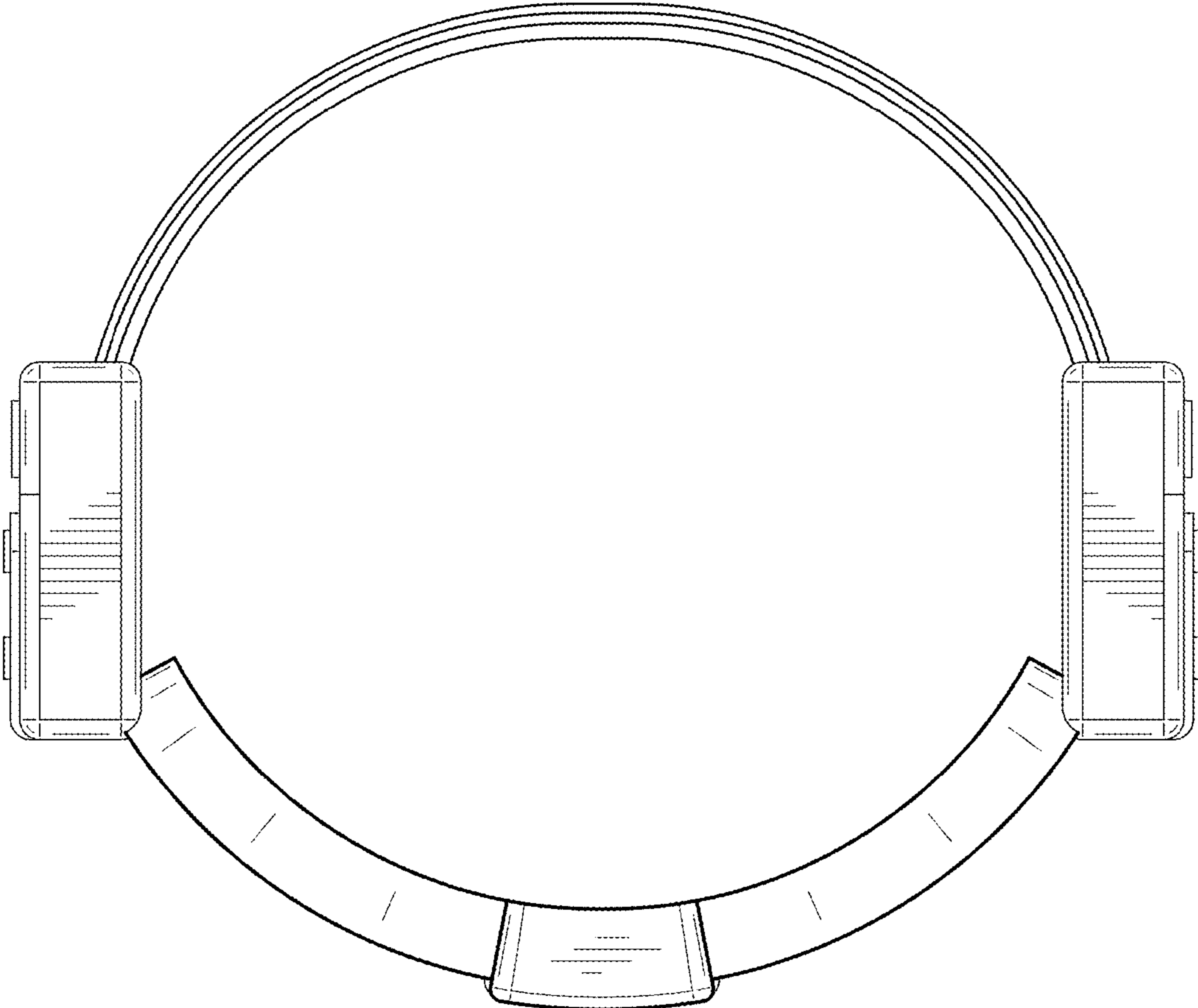


FIG. 3

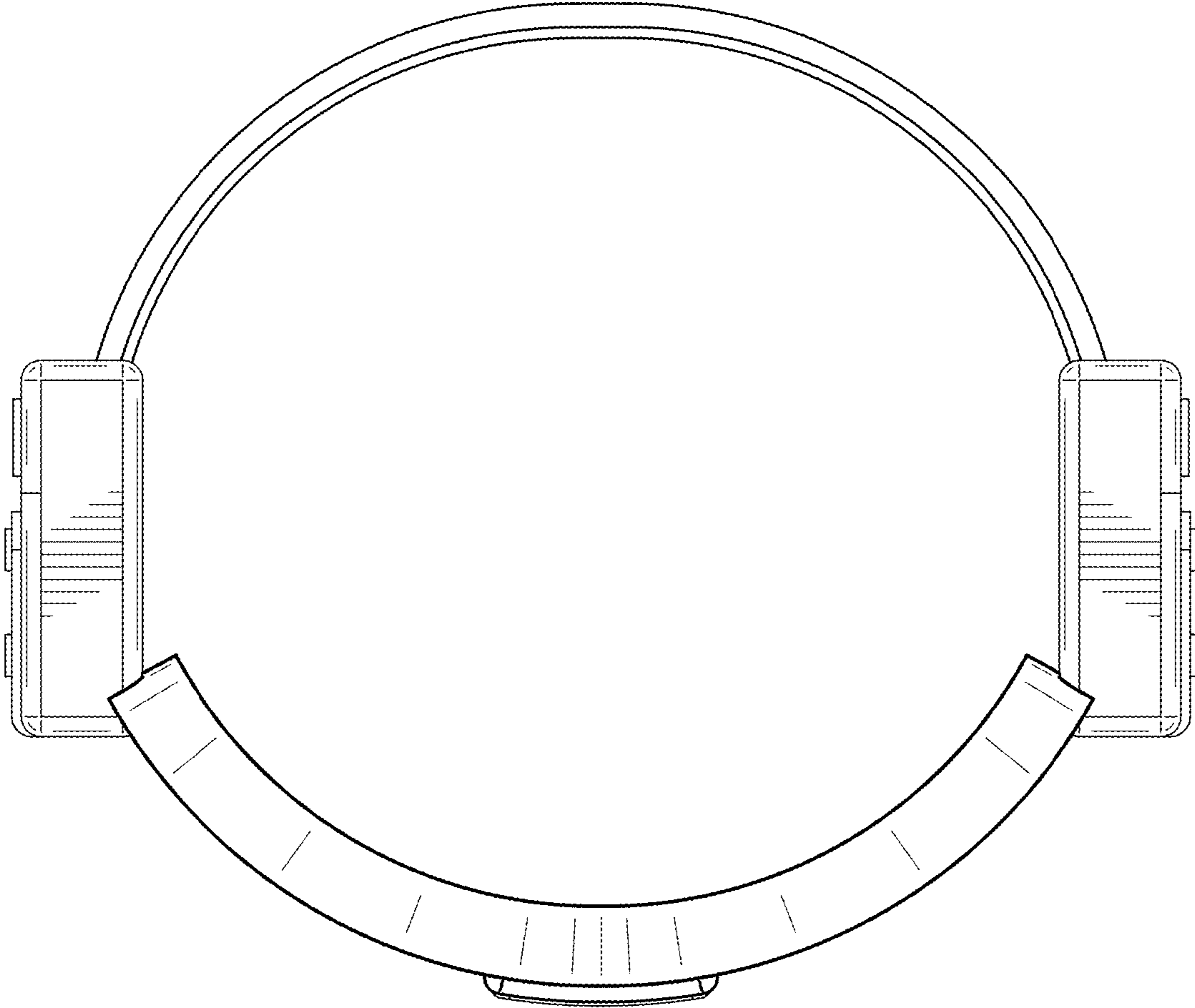


FIG. 4

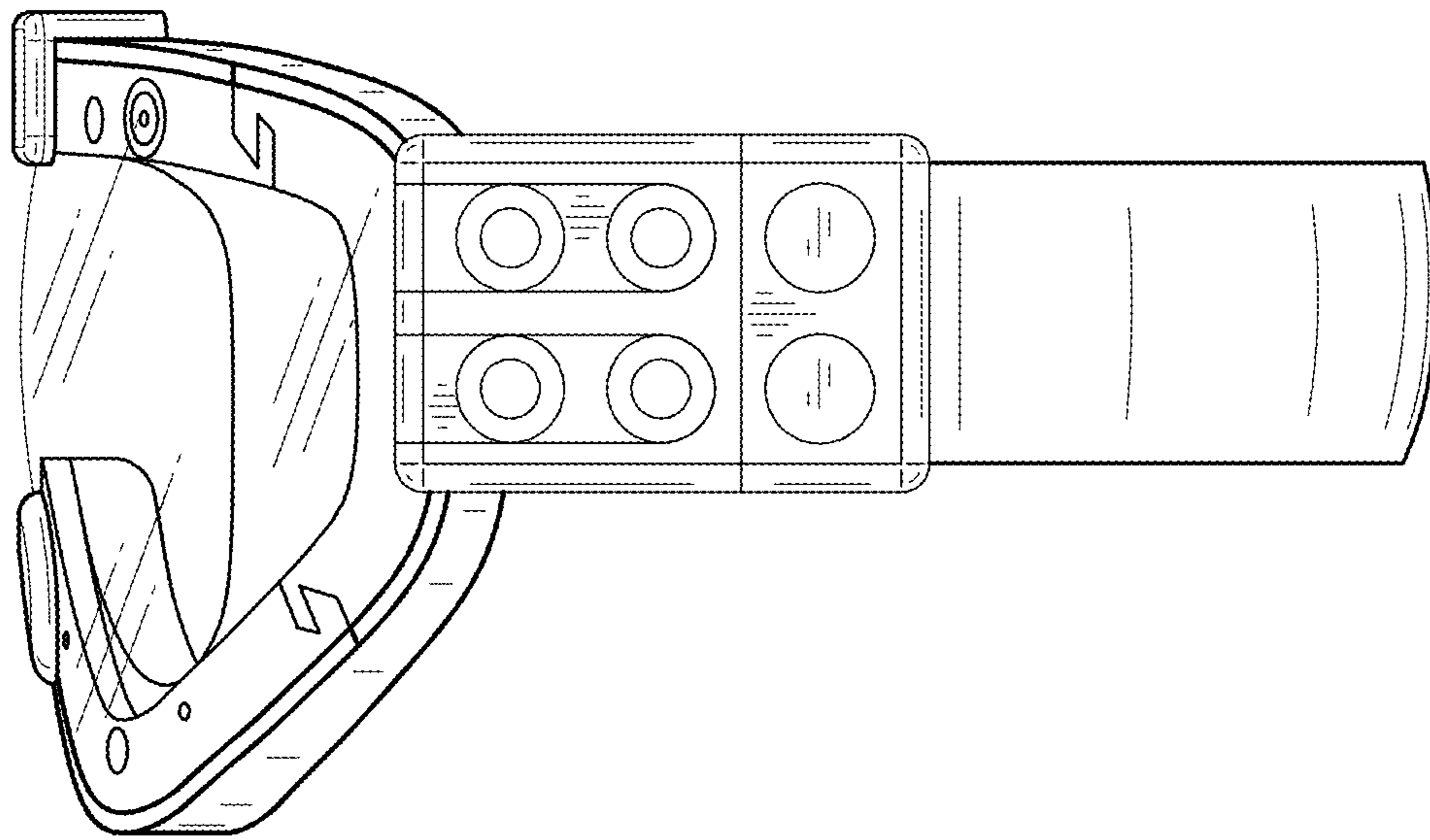


FIG. 5

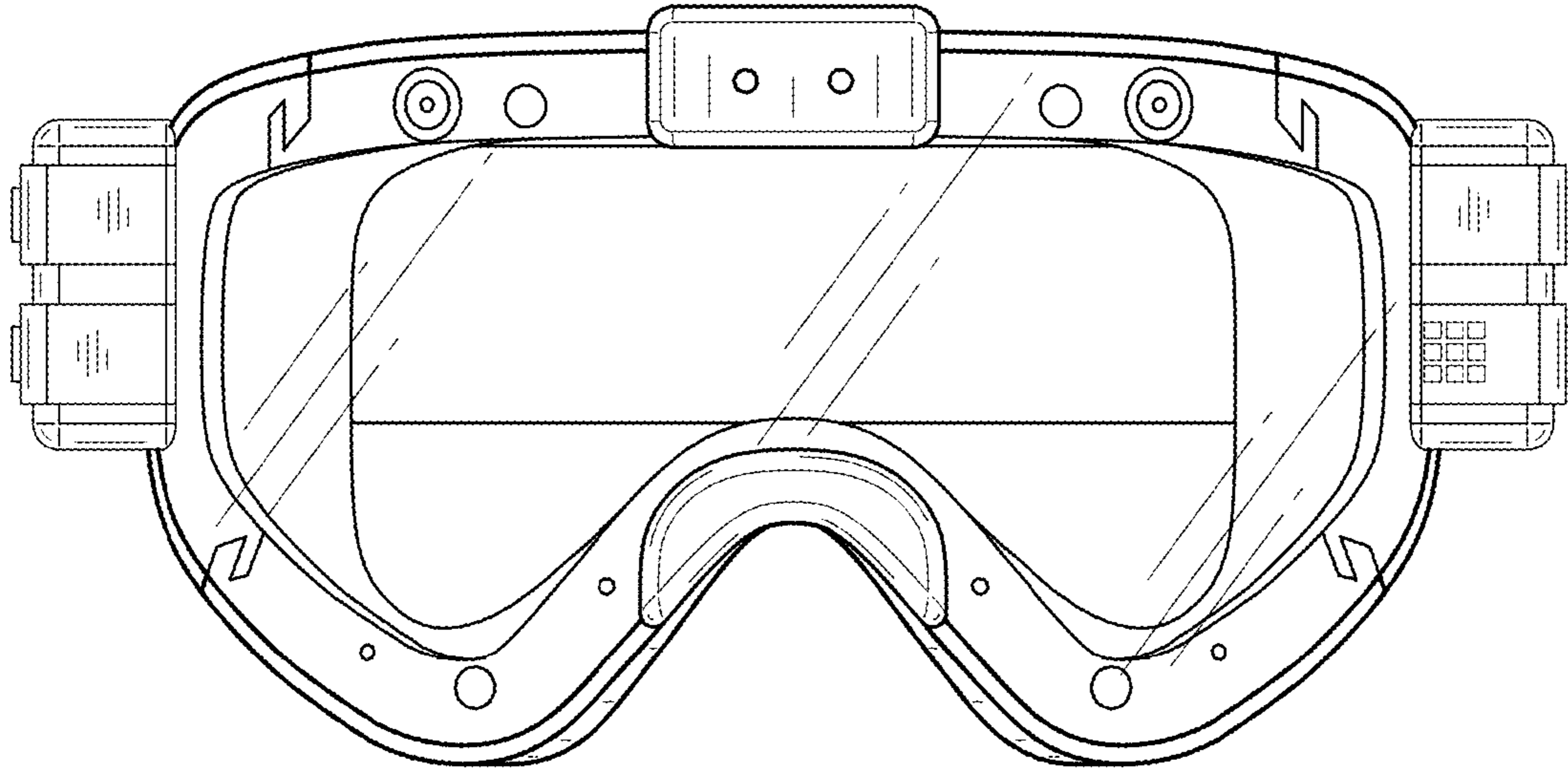


FIG. 6

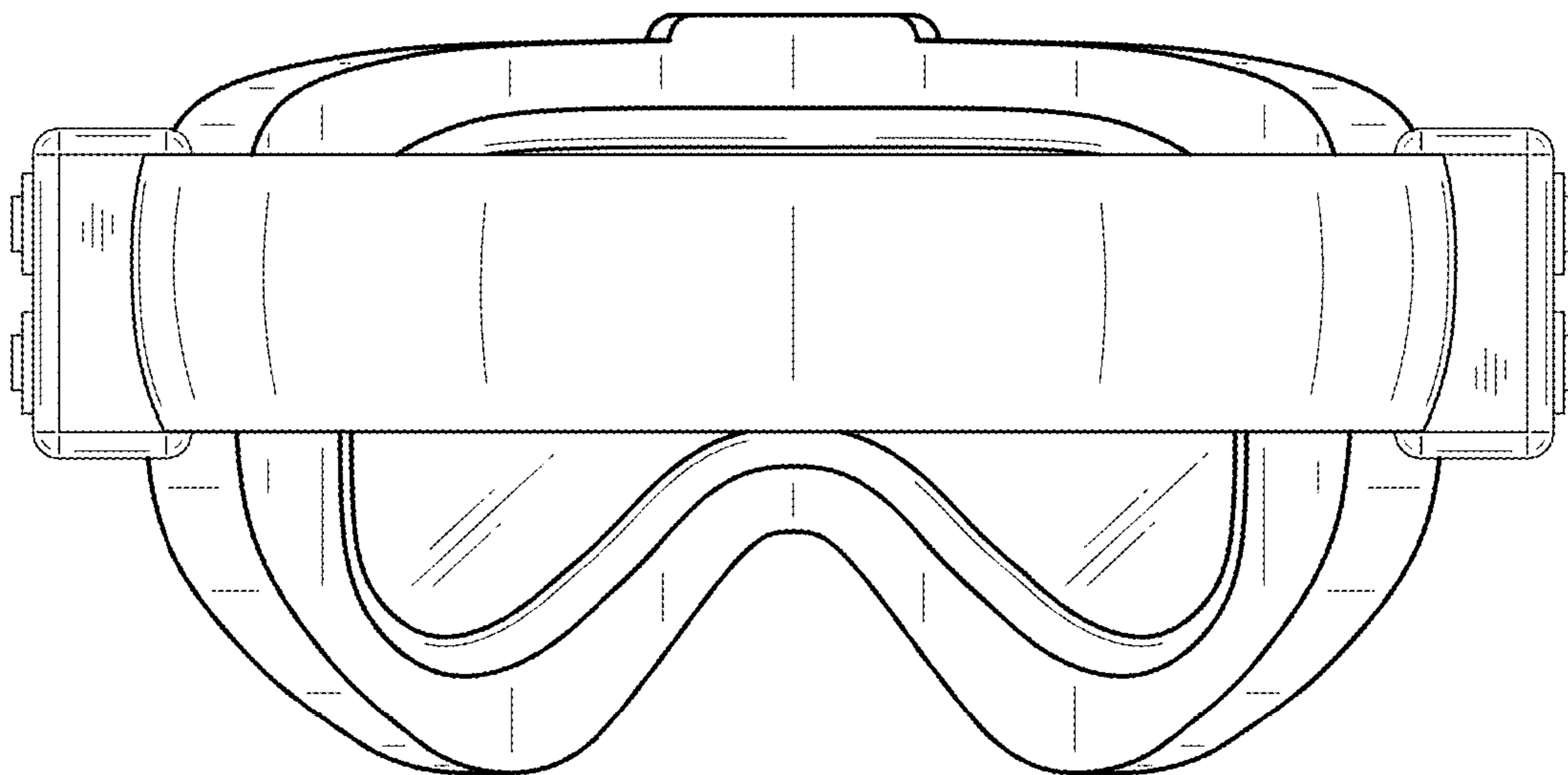


FIG. 7