



US00D771176S

(12) **United States Design Patent** (10) **Patent No.:** **US D771,176 S**
Liu (45) **Date of Patent:** **** Nov. 8, 2016**

(54) **GLASSES FOR TRAINING AND IMPROVING EYESIGHT**

(71) Applicant: **Dongguang Liu**, Guangdong (CN)

(72) Inventor: **Dongguang Liu**, Guangdong (CN)

(**) Term: **15 Years**

(21) Appl. No.: **29/541,293**

(22) Filed: **Oct. 2, 2015**

(30) **Foreign Application Priority Data**

Apr. 13, 2015 (CN) 2015 3 0095262

(51) **LOC (10) Cl.** **16-06**

(52) **U.S. Cl.**
USPC **D16/300**

(58) **Field of Classification Search**
USPC D16/101, 300-342, 900; D29/109-110;
351/41, 44, 51-52, 62, 158, 92,
351/103-123, 140-153, 63, 59, 45-48;
2/426-432, 447-449, 441, 434-437,
2/440, 442, 13, 15; D21/483, 659-661;
D14/372; D8/356

CPC G02C 2200/08; G02C 1/06; G02C 5/14;
G02C 11/02; G02C 11/04; G01C 5/16;
A61M 2021/0044; A63B 33/002

See application file for complete search history.

(56) **References Cited**

U.S. PATENT DOCUMENTS

5,106,179 A * 4/1992 Kamaya A61F 9/08
351/158
D381,346 S * 7/1997 Ronzani D14/372

D427,982 S * 7/2000 Ishii D14/372
D433,411 S * 11/2000 Kawashima D14/372
D440,967 S * 4/2001 Jung D14/372
6,351,252 B1 * 2/2002 Atsumi G02B 27/0176
345/8
6,421,031 B1 * 7/2002 Ronzani G02B 27/017
359/630
D513,032 S * 12/2005 Diamantidis D16/300
D597,583 S * 8/2009 Edelmann D16/300
D602,064 S * 10/2009 Mitsui D14/126
D667,483 S * 9/2012 Krsmanovic D16/300
8,545,013 B2 * 10/2013 Hwang G02B 27/0176
351/158
D726,243 S * 4/2015 Raina D16/300
D731,549 S * 6/2015 Kim D14/492
2014/0139927 A1 * 5/2014 Hiraide G02B 27/0172
359/630

* cited by examiner

Primary Examiner — Raphael Barkai

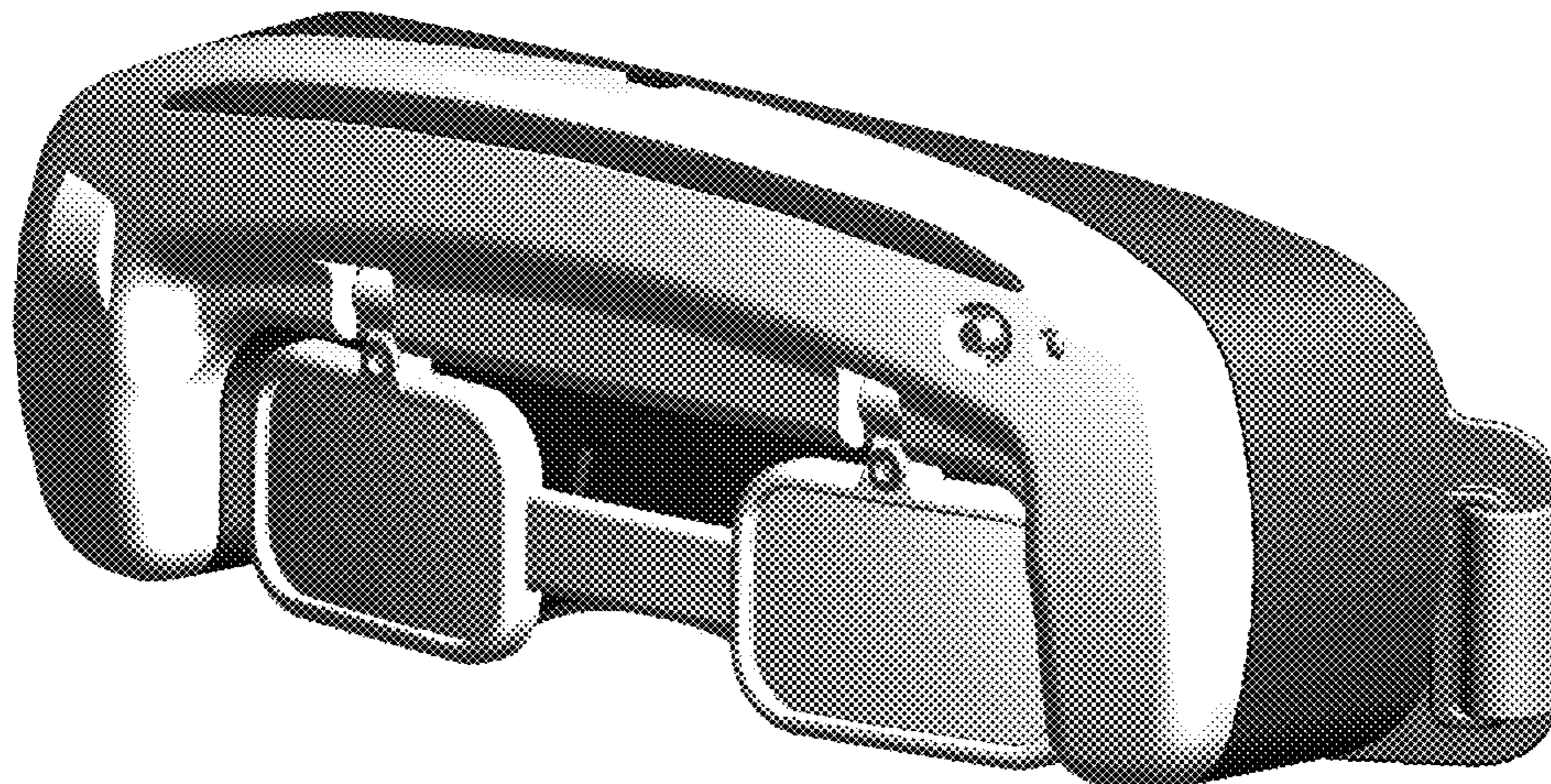
(57) **CLAIM**

The ornamental design for a glasses for training and improving eyesight, as shown.

DESCRIPTION

FIG. 1 is a front elevational view of a glasses for training and improving eyesight showing my new design;
FIG. 2 is a rear elevational view thereof;
FIG. 3 is a left side view thereof;
FIG. 4 is a right side view thereof;
FIG. 5 is atop plan view thereof;
FIG. 6 is a bottom plan view thereof; and,
FIG. 7 is a front and right side perspective view thereof.

1 Claim, 3 Drawing Sheets



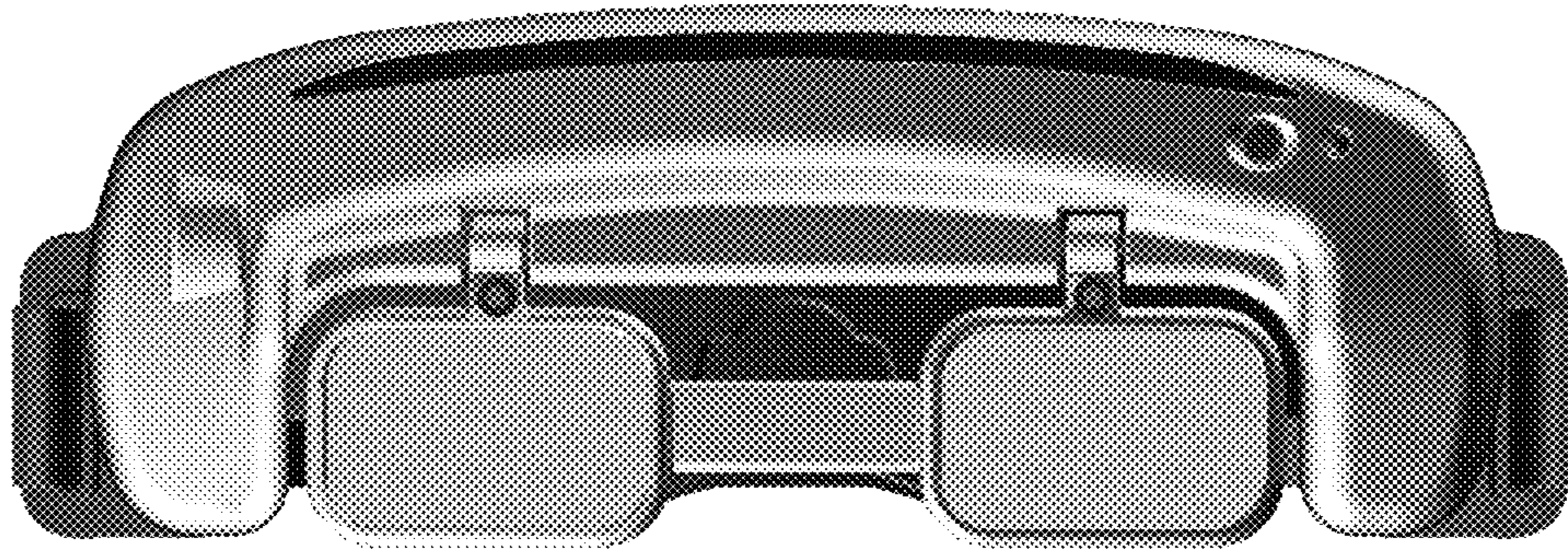


FIG. 1

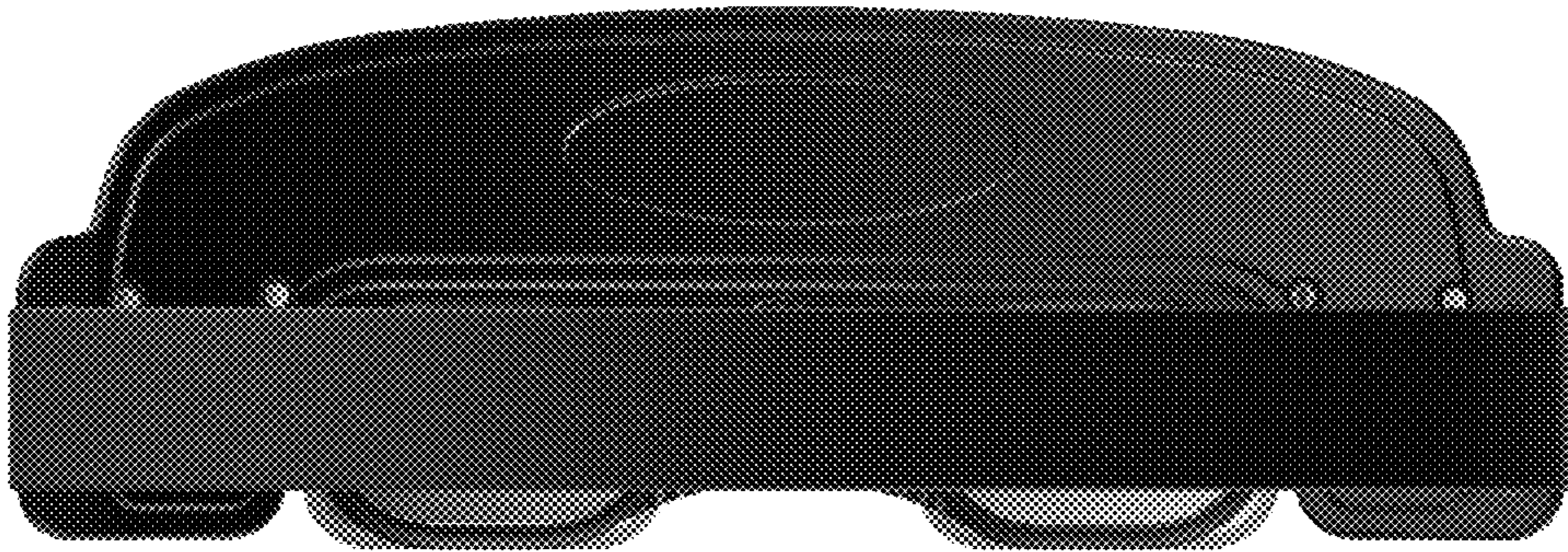


FIG. 2

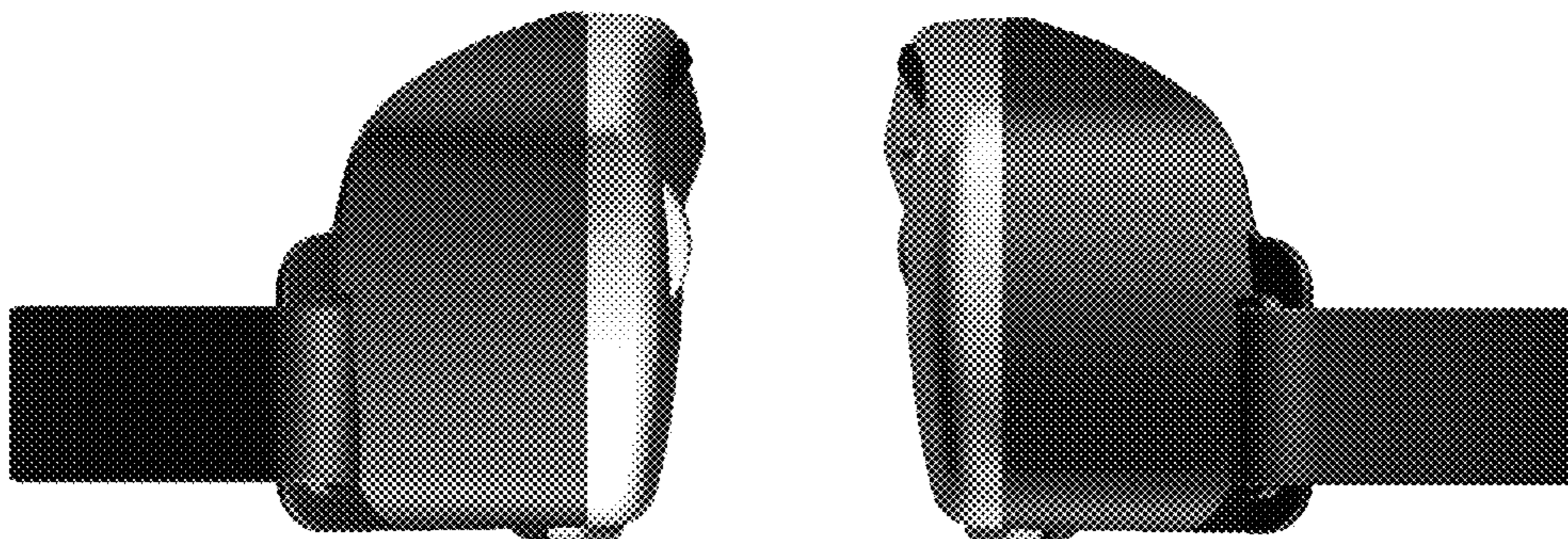


FIG. 3

FIG. 4

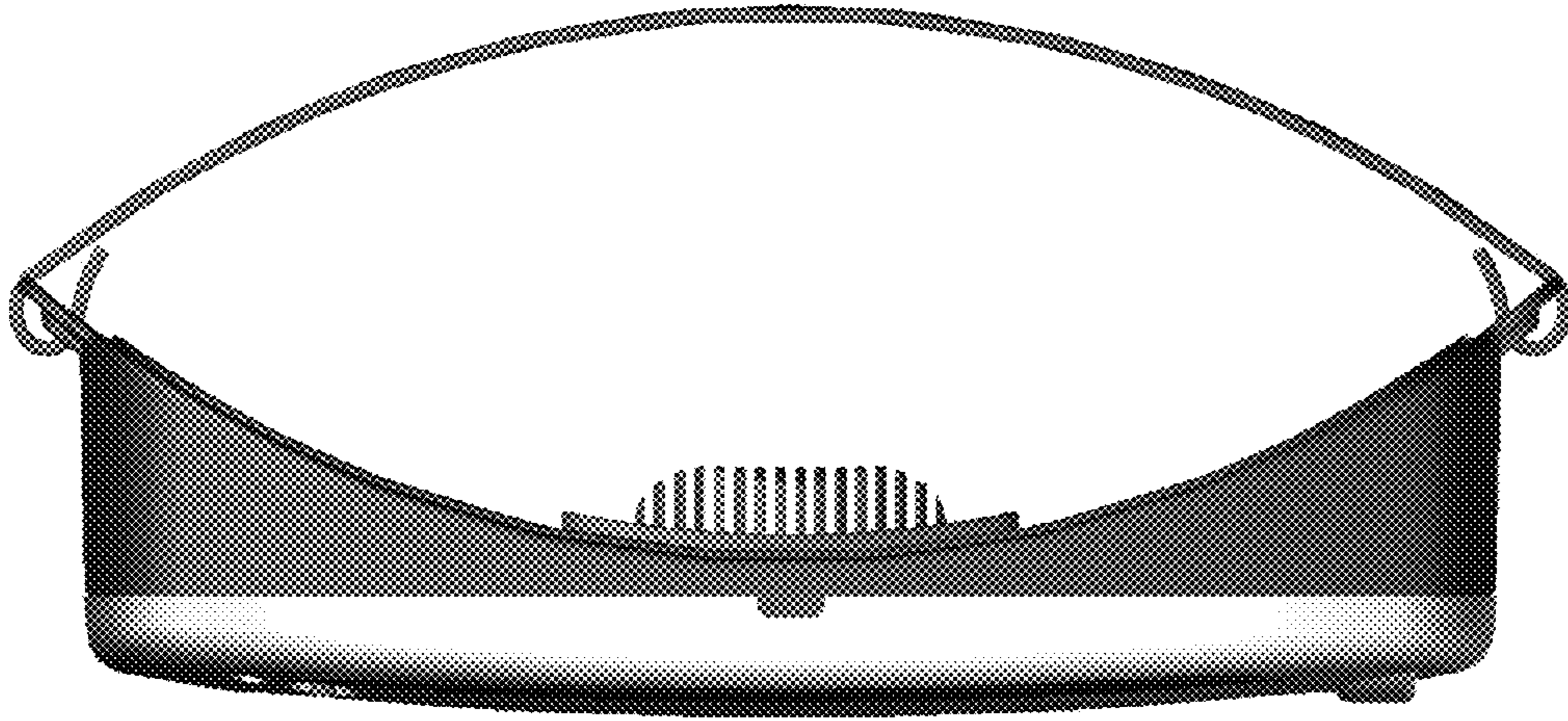


FIG. 5

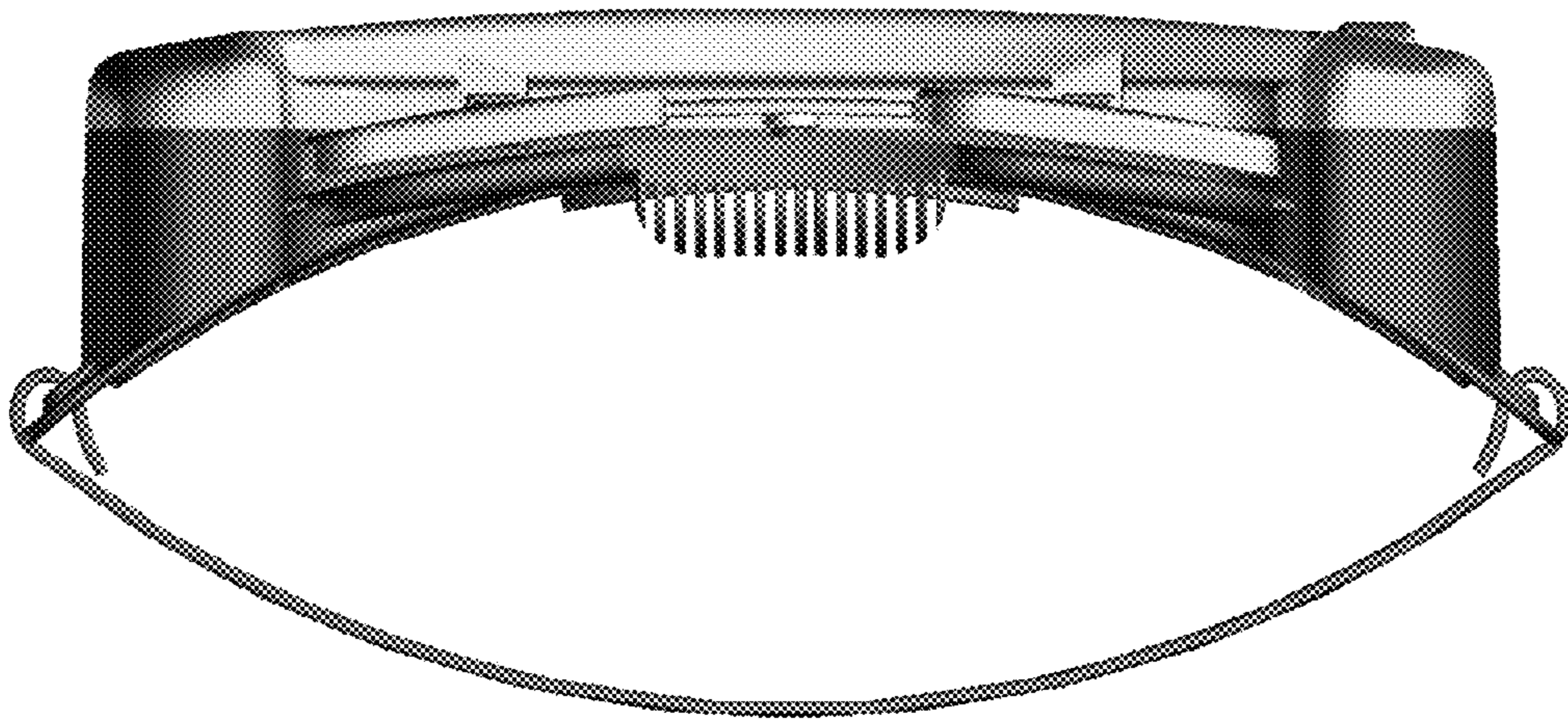


FIG. 6

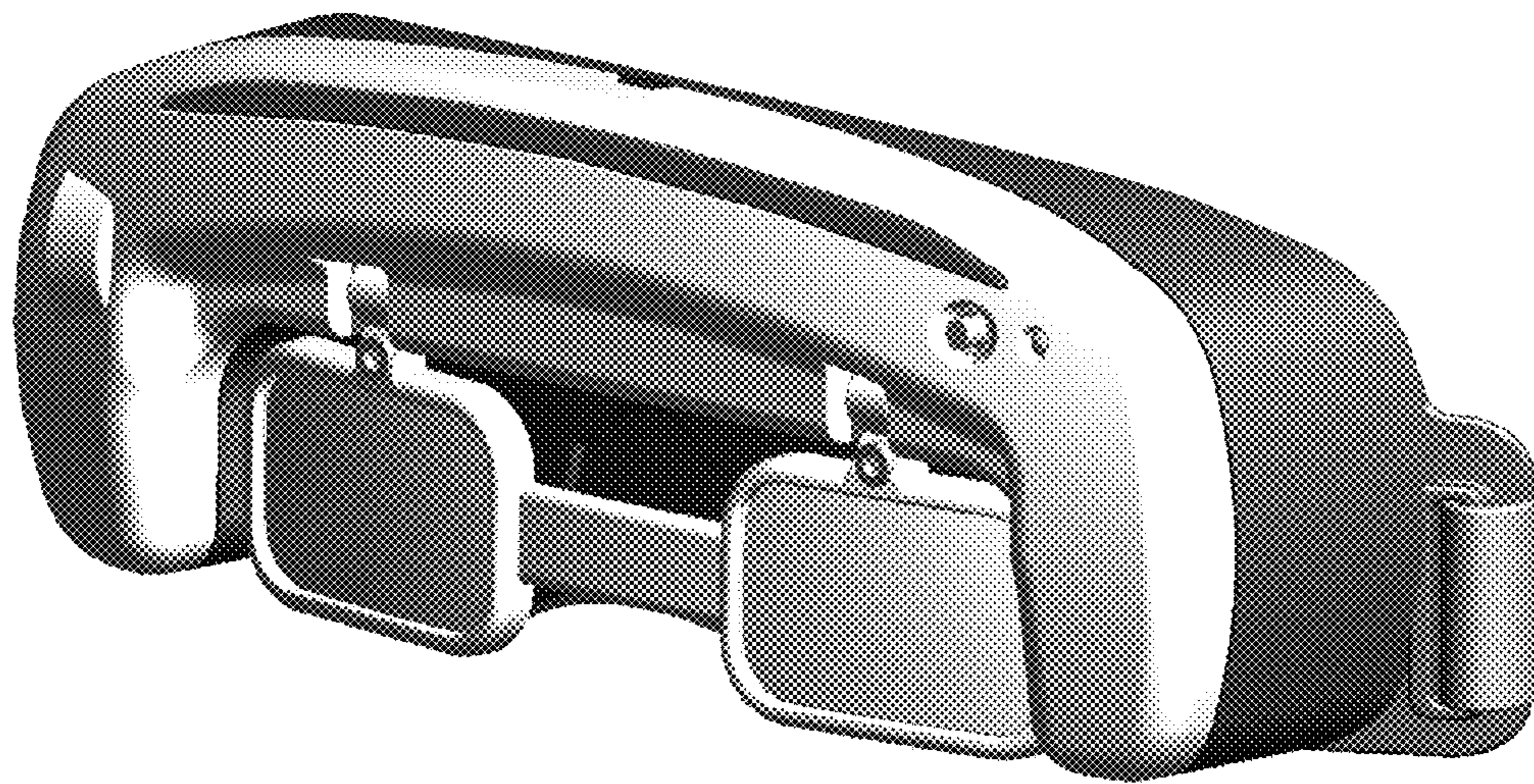


FIG. 7