



US00D771175S

(12) **United States Design Patent**  
**Choi et al.**

(10) **Patent No.:** **US D771,175 S**

(45) **Date of Patent:** **\*\* Nov. 8, 2016**

- (54) **STICK-AND-SHOOT CAMERA**
- (71) Applicant: **Podo Labs, Inc.**, Santa Clara, CA (US)
- (72) Inventors: **Jae Hoon Choi**, Santa Clara, CA (US);  
**Edmond Lee**, Santa Clara, CA (US);  
**Sam Pullman**, Santa Clara, CA (US)
- (73) Assignee: **PODO LABS, INC.**, San Francisco, CA (US)

(\*\*) Term: **14 Years**

(21) Appl. No.: **29/518,988**

(22) Filed: **Feb. 28, 2015**

(51) **LOC (10) Cl.** ..... **16-01**

(52) **U.S. Cl.**  
USPC ..... **D16/218**

(58) **Field of Classification Search**  
USPC ..... D16/200–208, 210, 218, 219, 242;  
348/143, 148, 151, 373–376; 358/906;  
396/419, 427, 535–541  
CPC ..... G03B 15/03; G03B 17/02; G03B 17/04;  
G03B 17/56; G03B 19/04; H04N 5/2251;  
H04N 5/2252; H04N 5/2253; H04N 5/2254;  
H04N 2101/00

See application file for complete search history.

(56) **References Cited**

**U.S. PATENT DOCUMENTS**

- 5,032,919 A \* 7/1991 Randmae ..... H04N 5/2253  
348/345
- D465,504 S \* 11/2002 Van Klinken ..... D16/203
- D480,741 S \* 10/2003 Berger ..... D16/202
- 6,705,774 B2 \* 3/2004 Tashiro ..... G08B 13/19619  
348/143

- D594,047 S \* 6/2009 Lee ..... D16/202
- D614,220 S \* 4/2010 Goldenberg ..... D16/130
- D692,042 S \* 10/2013 Dawes ..... D16/203
- D692,939 S \* 11/2013 Huang ..... D16/218
- D723,602 S \* 3/2015 Brickstad ..... D16/202
- D733,780 S \* 7/2015 Chen ..... D16/202
- D737,356 S \* 8/2015 Tabuchi ..... D16/218
- D741,932 S \* 10/2015 Huang ..... D16/202
- D744,572 S \* 12/2015 Tabuchi ..... D16/218

\* cited by examiner

*Primary Examiner* — Susan E Krakower

*Assistant Examiner* — Ramzi Almatrahi

(74) *Attorney, Agent, or Firm* — Mayer Brown LLP;  
Hyunho Park

(57) **CLAIM**

The ornamental design for a stick-and-shoot camera, as shown and described.

**DESCRIPTION**

FIG. 1 is a rear perspective view of a stick-and-shoot camera showing our new design;

FIG. 2 is a front elevation view thereof;

FIG. 3 is a rear elevation view thereof;

FIG. 4 is a left-side elevation view thereof;

FIG. 5 is a right-side elevation view thereof;

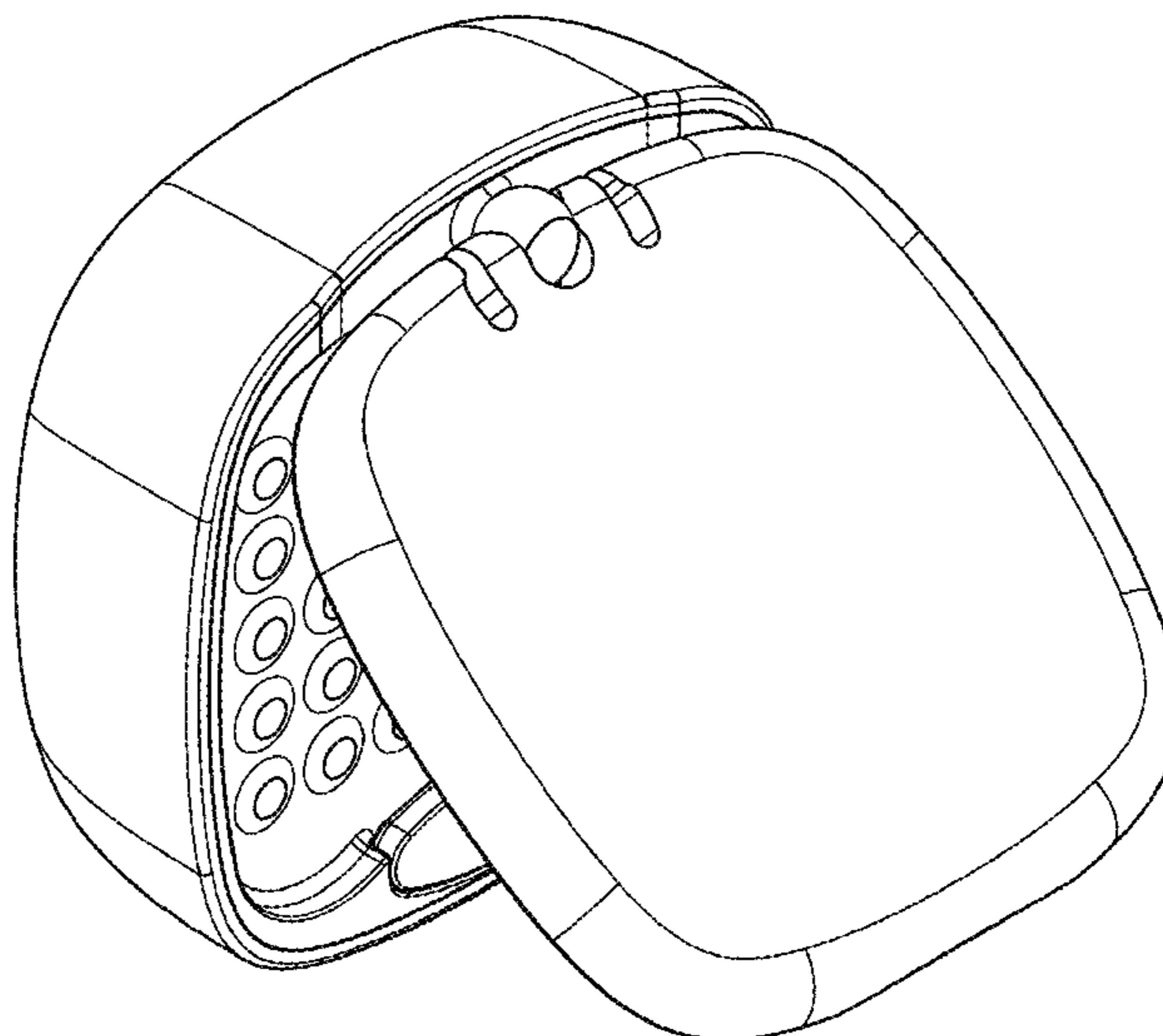
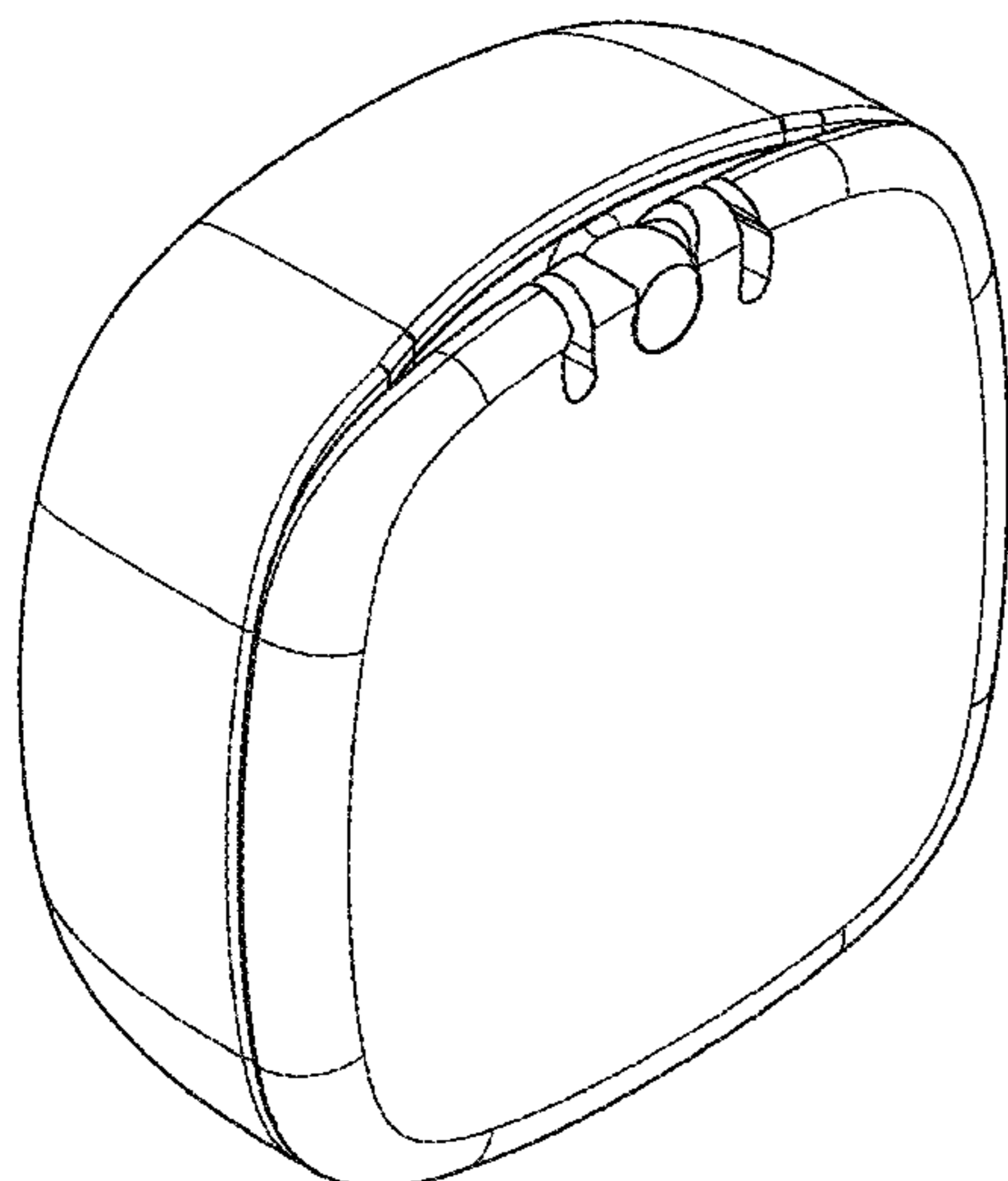
FIG. 6 is a top plan view thereof;

FIG. 7 is a bottom plan view thereof; and,

FIG. 8 is a rear perspective view thereof, showing the stick-and-shoot camera in an open position.

The broken lines depict portions of a stick-and-shoot camera in which the design is embodied and form no part of the claimed design.

**1 Claim, 8 Drawing Sheets**



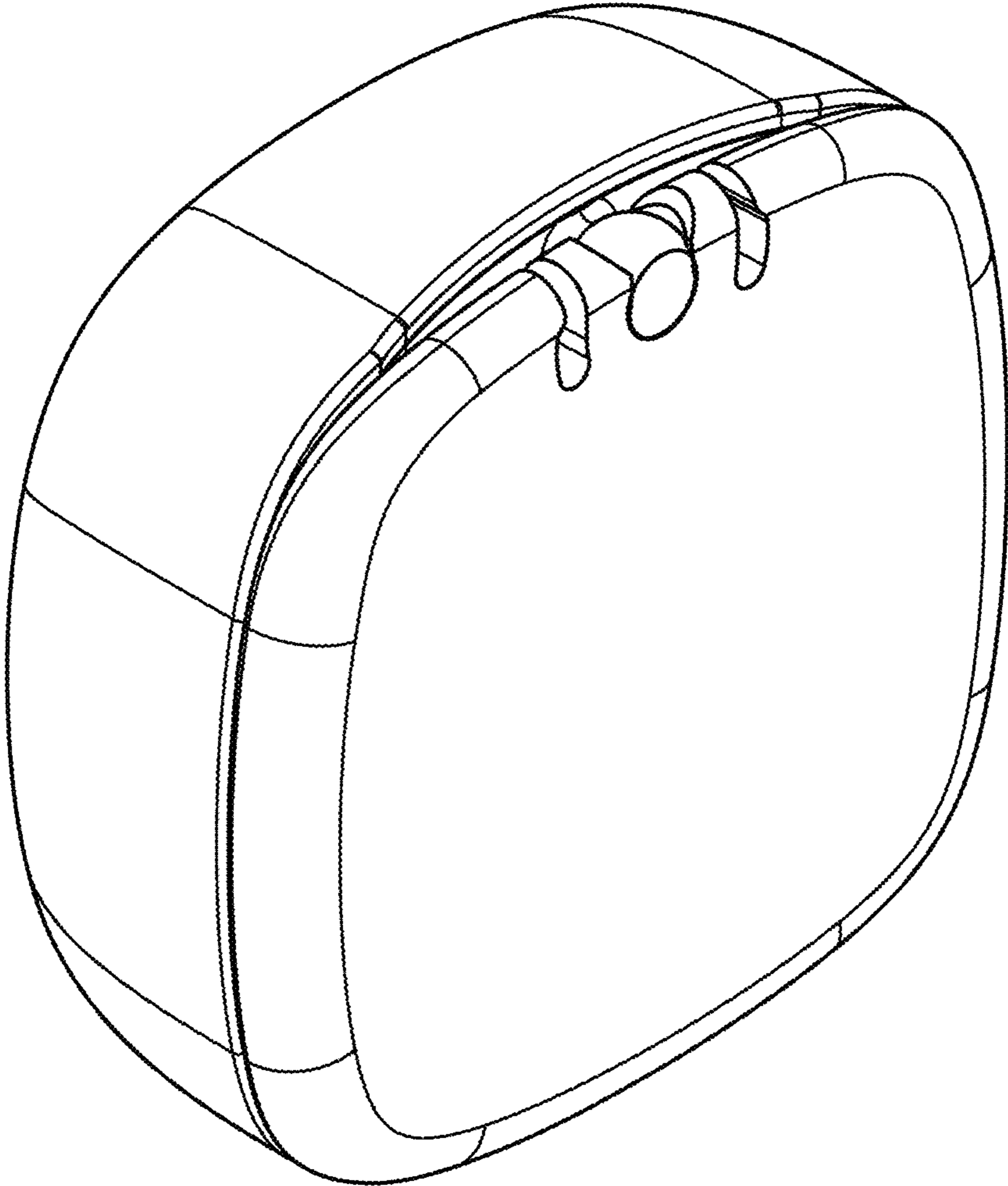


FIG. 1

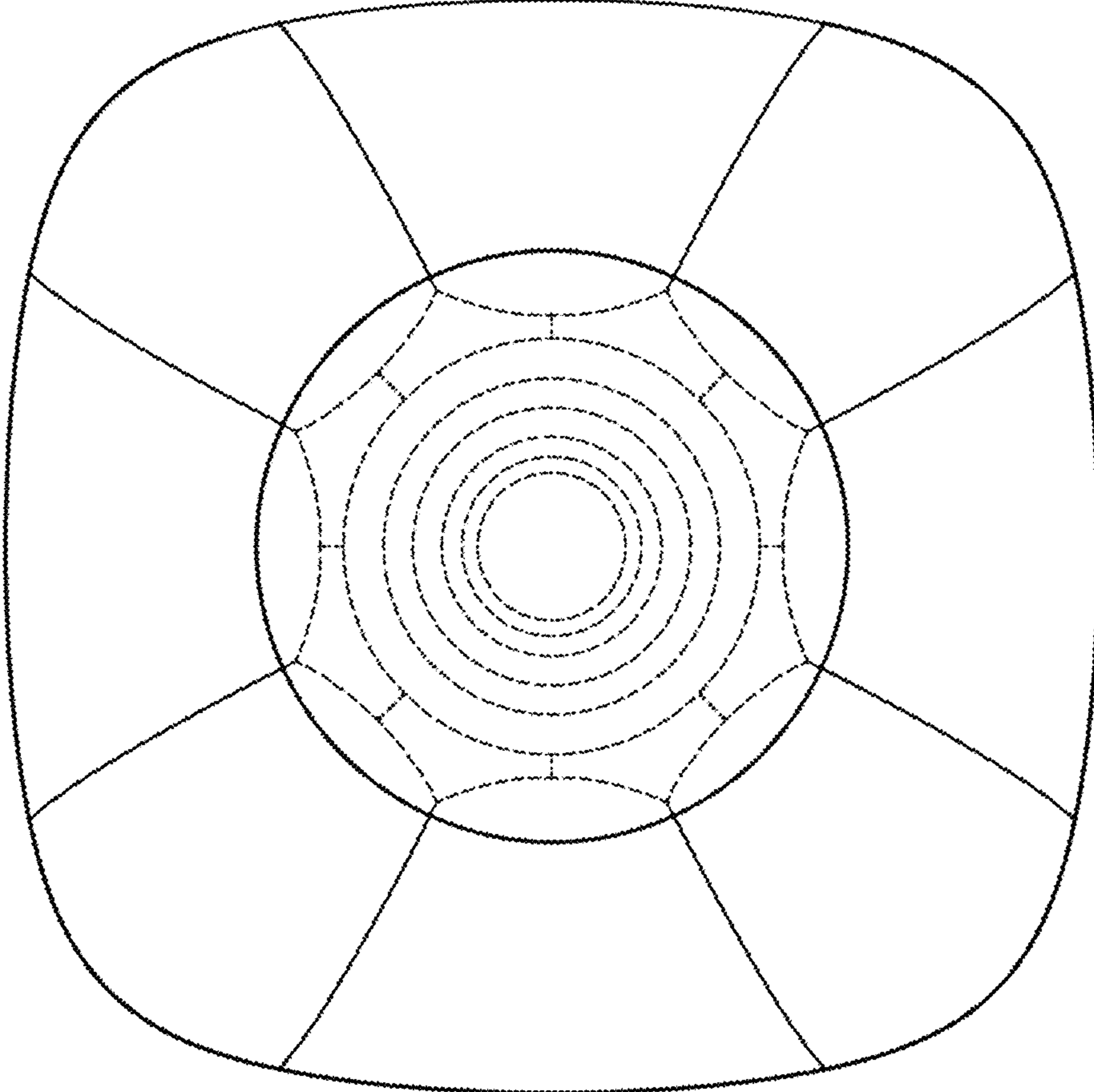


FIG. 2

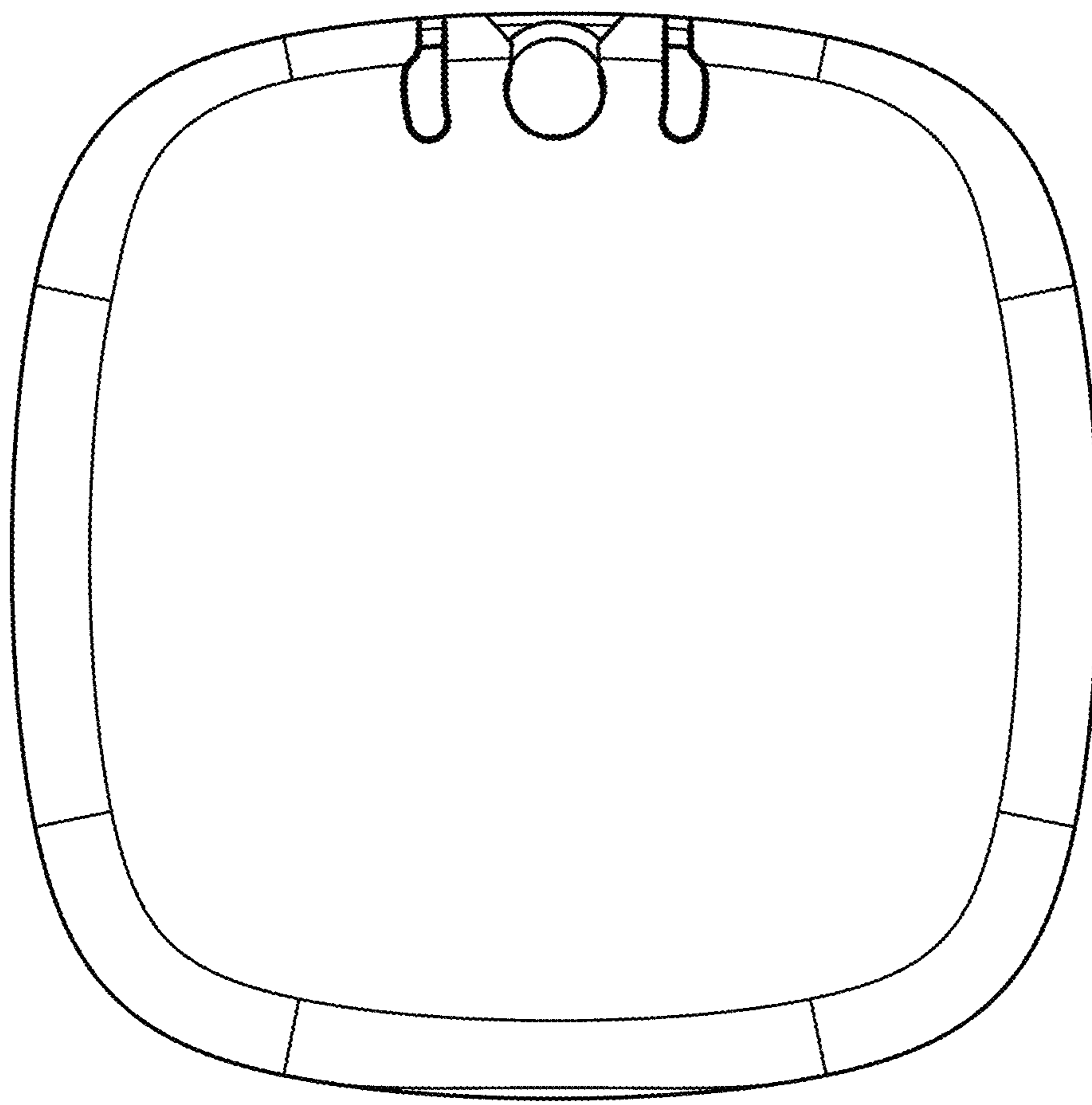


FIG. 3

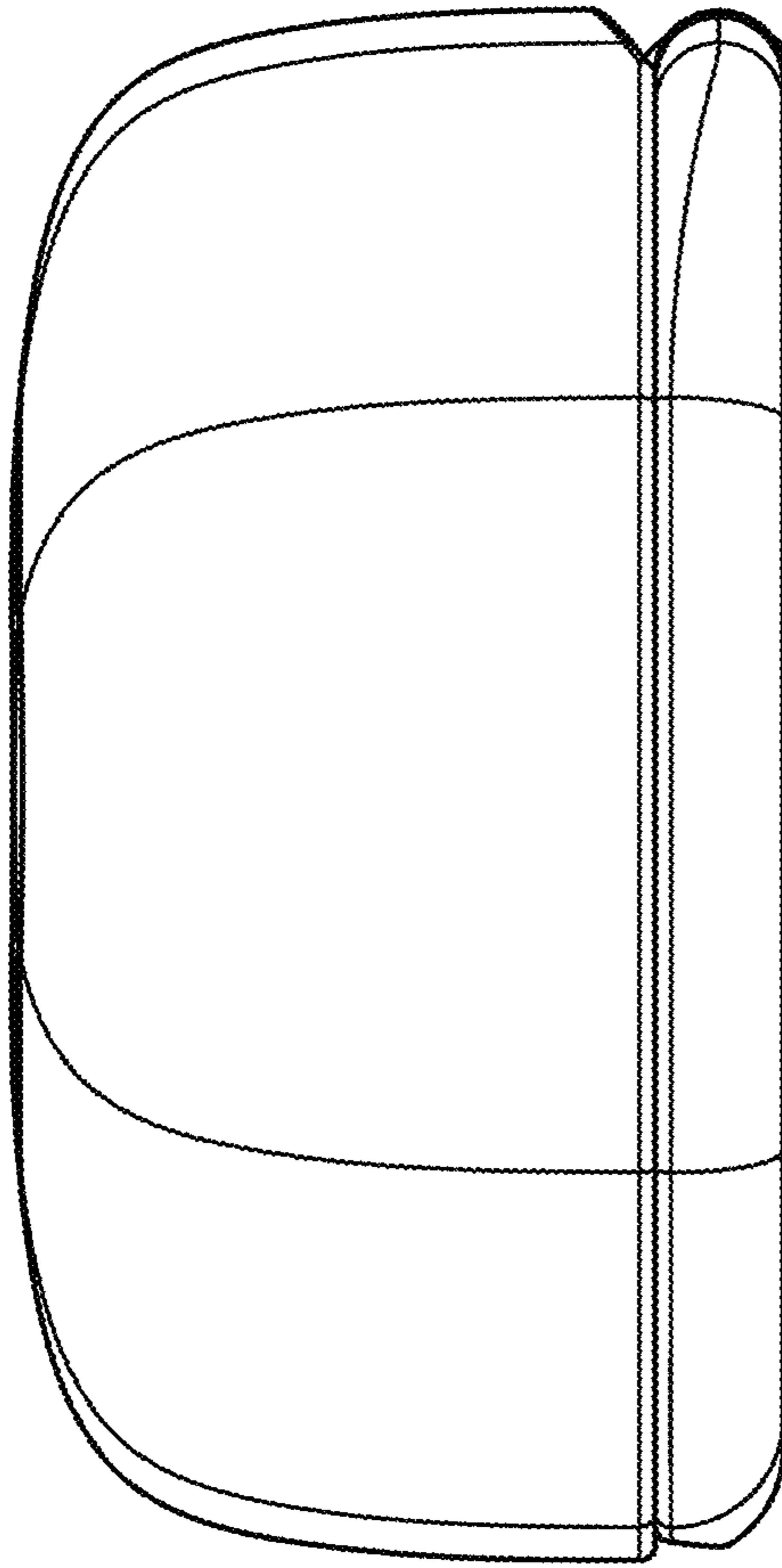


FIG. 4

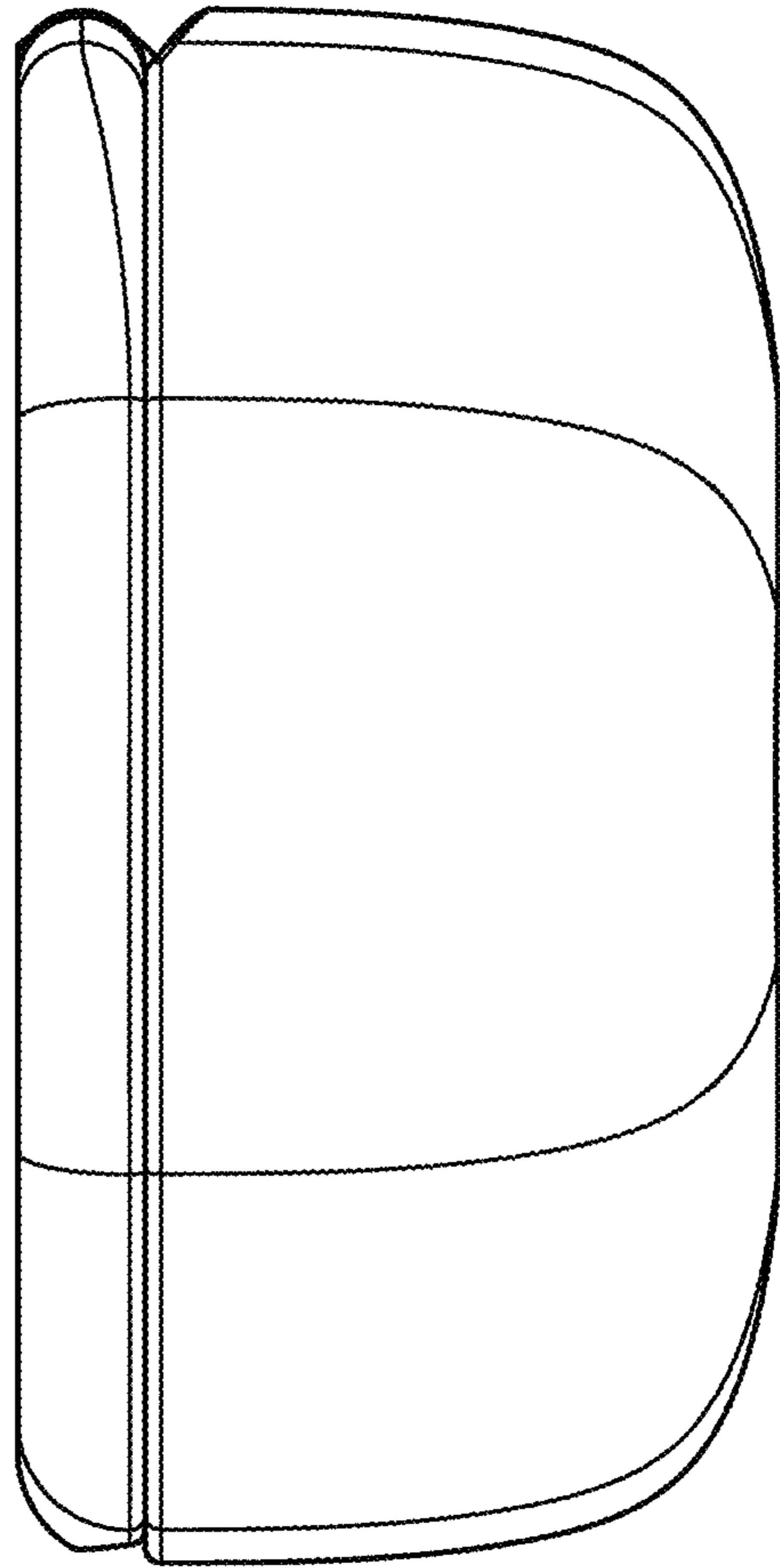


FIG. 5

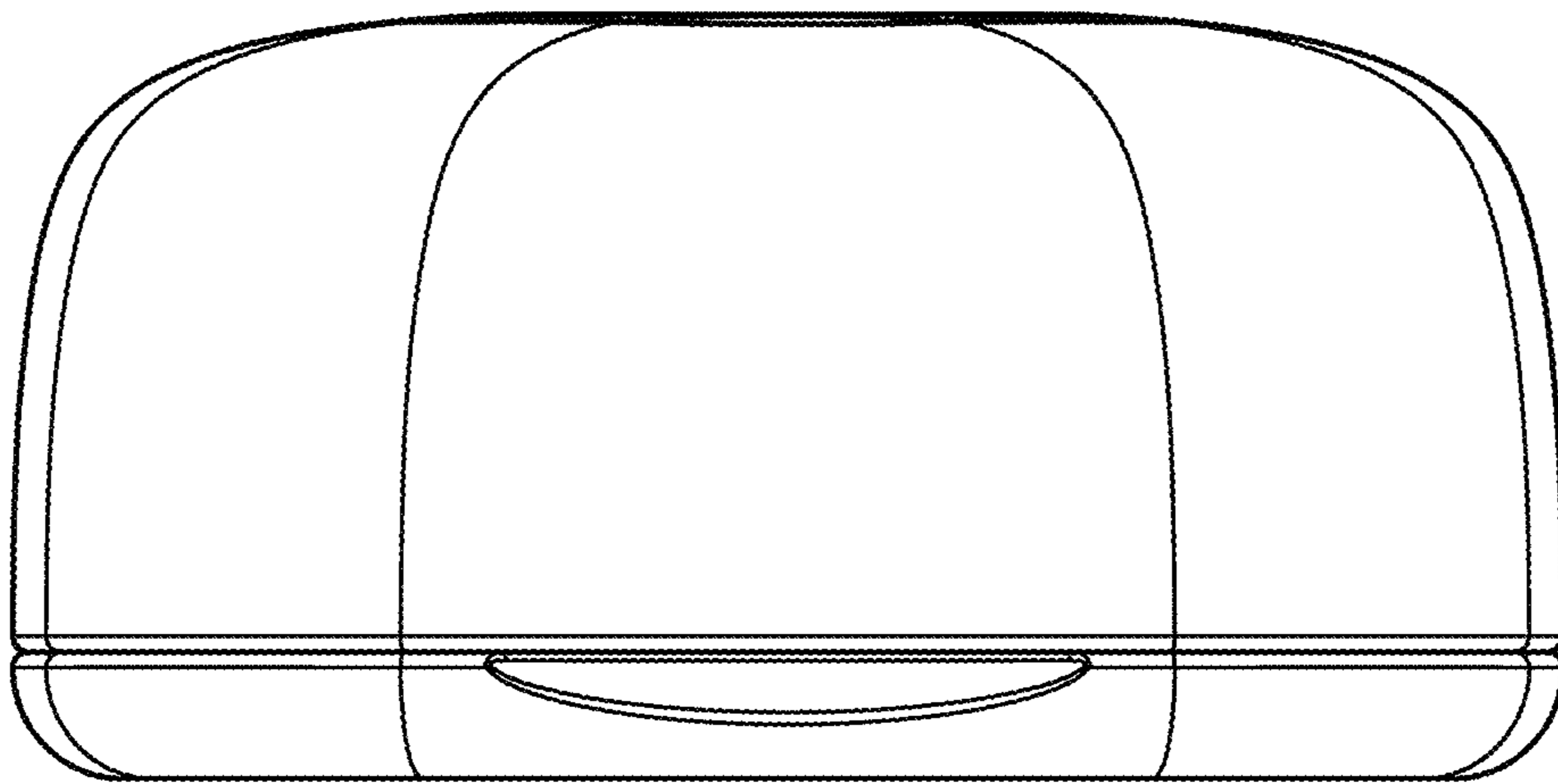


FIG. 6

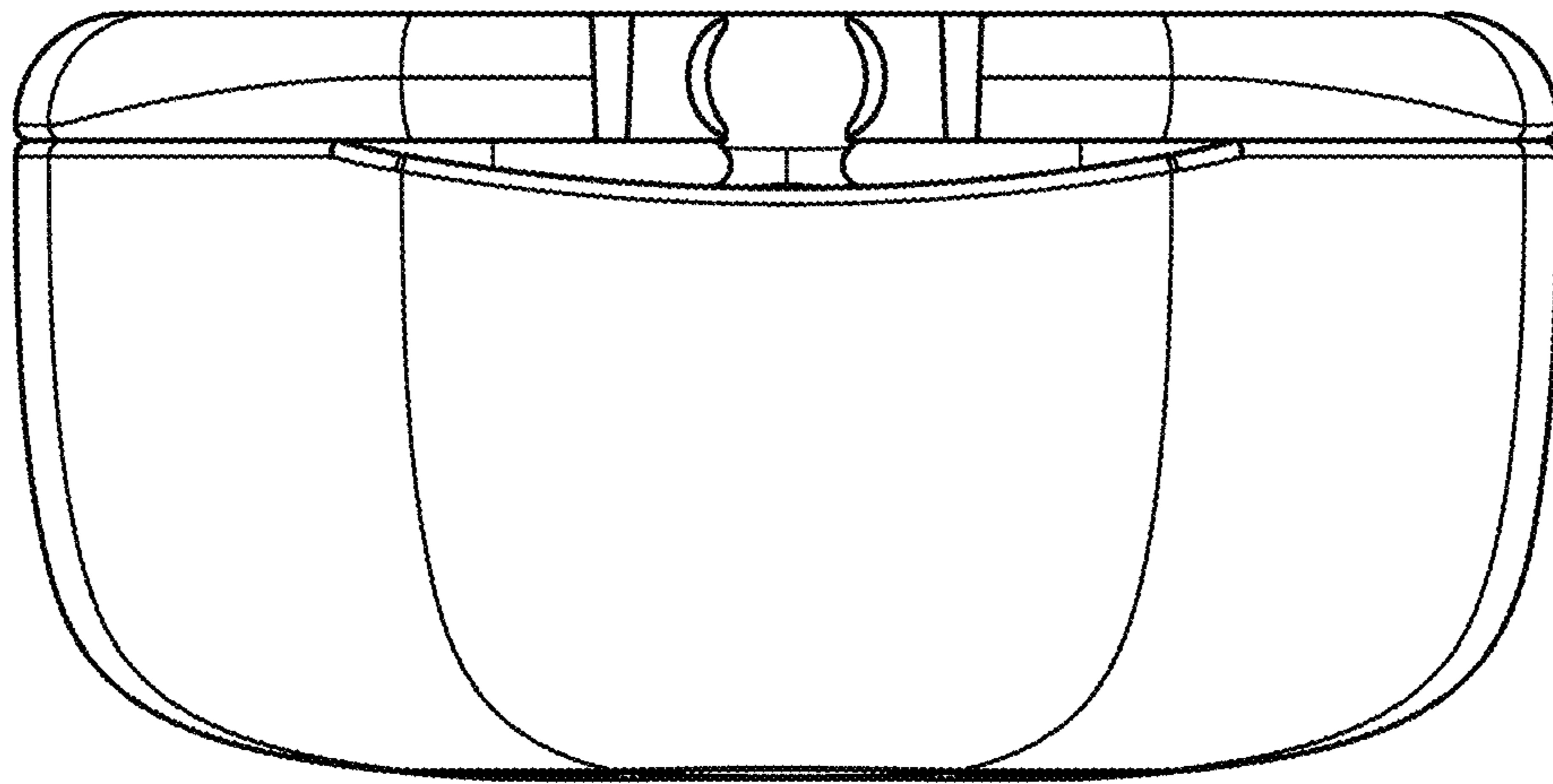


FIG. 7



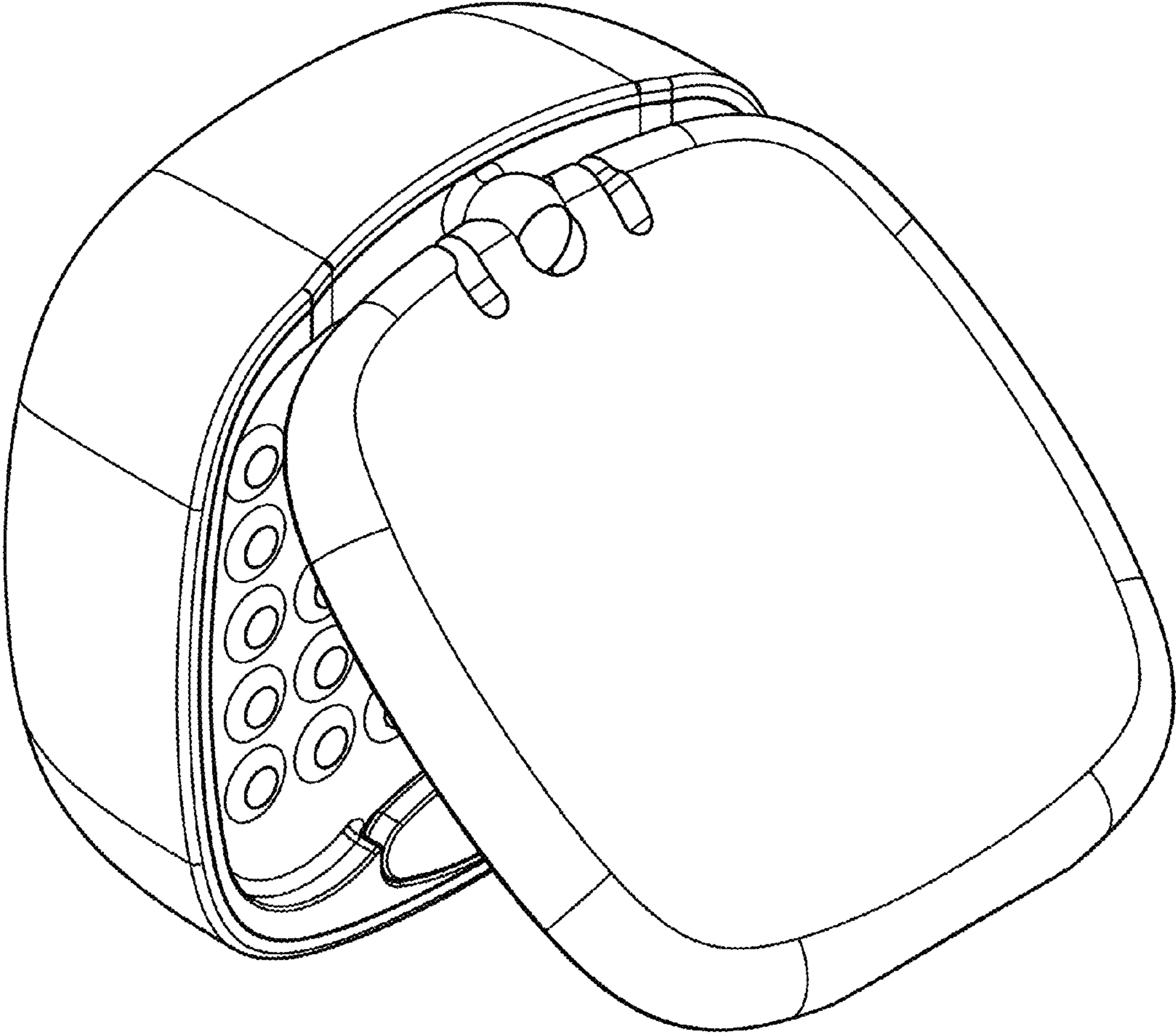


FIG. 8