



US00D771174S

(12) **United States Design Patent**  
**Hinkel**

(10) **Patent No.:** **US D771,174 S**  
(45) **Date of Patent:** **\*\* Nov. 8, 2016**

(54) **COMBINED SURVEILLANCE CAMERA AND HOUSING**

(71) Applicant: **MOBOTIX AG**, Winnweiler (DE)

(72) Inventor: **Ralf Hinkel**, Höringen (DE)

(73) Assignee: **MOBOTIX AG** (DE)

(\*\*) Term: **14 Years**

(21) Appl. No.: **29/512,212**

(22) Filed: **Dec. 17, 2014**

(30) **Foreign Application Priority Data**

Jun. 18, 2014 (EM) ..... 002484840-0001

(51) **LOC (10) Cl.** ..... **16-01**

(52) **U.S. Cl.**  
USPC ..... **D16/203**

(58) **Field of Classification Search**

USPC ..... D16/200, 202-206, 218, 219, 242;  
348/143, 148, 151, 373-376; 396/419,  
396/427, 535, 539-541

CPC ..... G03B 17/02; G03B 19/04; G03B 17/56;  
G03B 17/04; G03B 15/03; H04N 5/2251;  
H04N 5/2252; H04N 5/2253; H04N 5/2254;  
H04N 7/181; H04N 7/183; H04N 7/18;  
G08B 13/1963; G08B 13/19619; G08B  
13/19632; F16M 11/04; F16M 13/00

See application file for complete search history.

(56) **References Cited**

**U.S. PATENT DOCUMENTS**

D416,569 S \* 11/1999 Green ..... D16/201  
D426,250 S \* 6/2000 Lefkowitz ..... 396/427

D450,075 S \* 11/2001 Uehara ..... D16/202  
D455,166 S \* 4/2002 Raad ..... D10/104.1  
D556,233 S \* 11/2007 Webb ..... D16/202  
D561,220 S \* 2/2008 Alm ..... D16/203  
D633,931 S \* 3/2011 Ham ..... D16/203  
D662,122 S \* 6/2012 Goodwin ..... D16/208  
8,382,386 B2 \* 2/2013 Cheng ..... G03B 17/02  
396/427  
8,790,024 B2 \* 7/2014 Andersson ..... H04N 5/2252  
396/427

\* cited by examiner

*Primary Examiner* — Susan E Krakower

*Assistant Examiner* — Ramzi Almatrahi

(74) *Attorney, Agent, or Firm* — Faegre Baker Daniels  
LLP

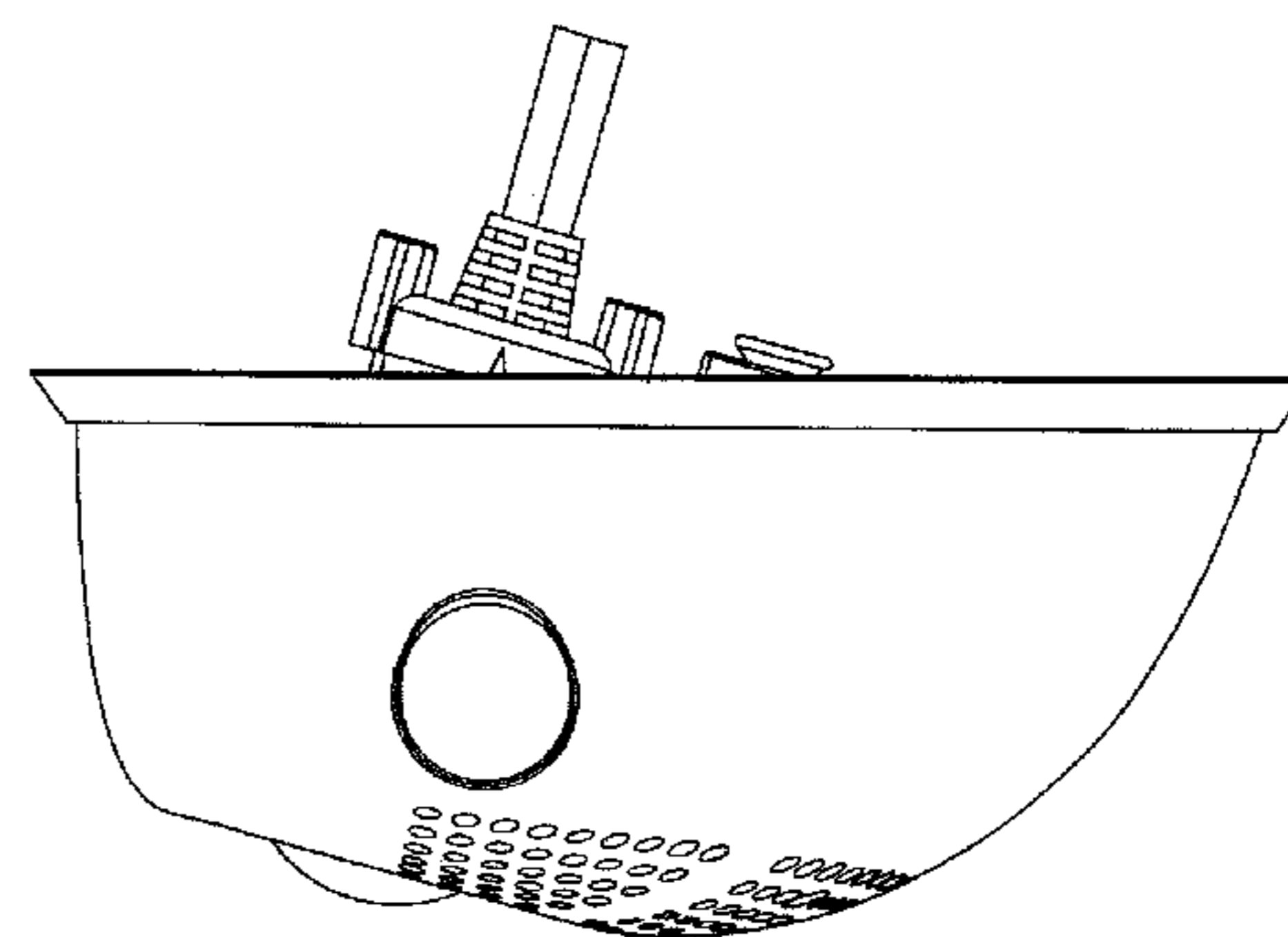
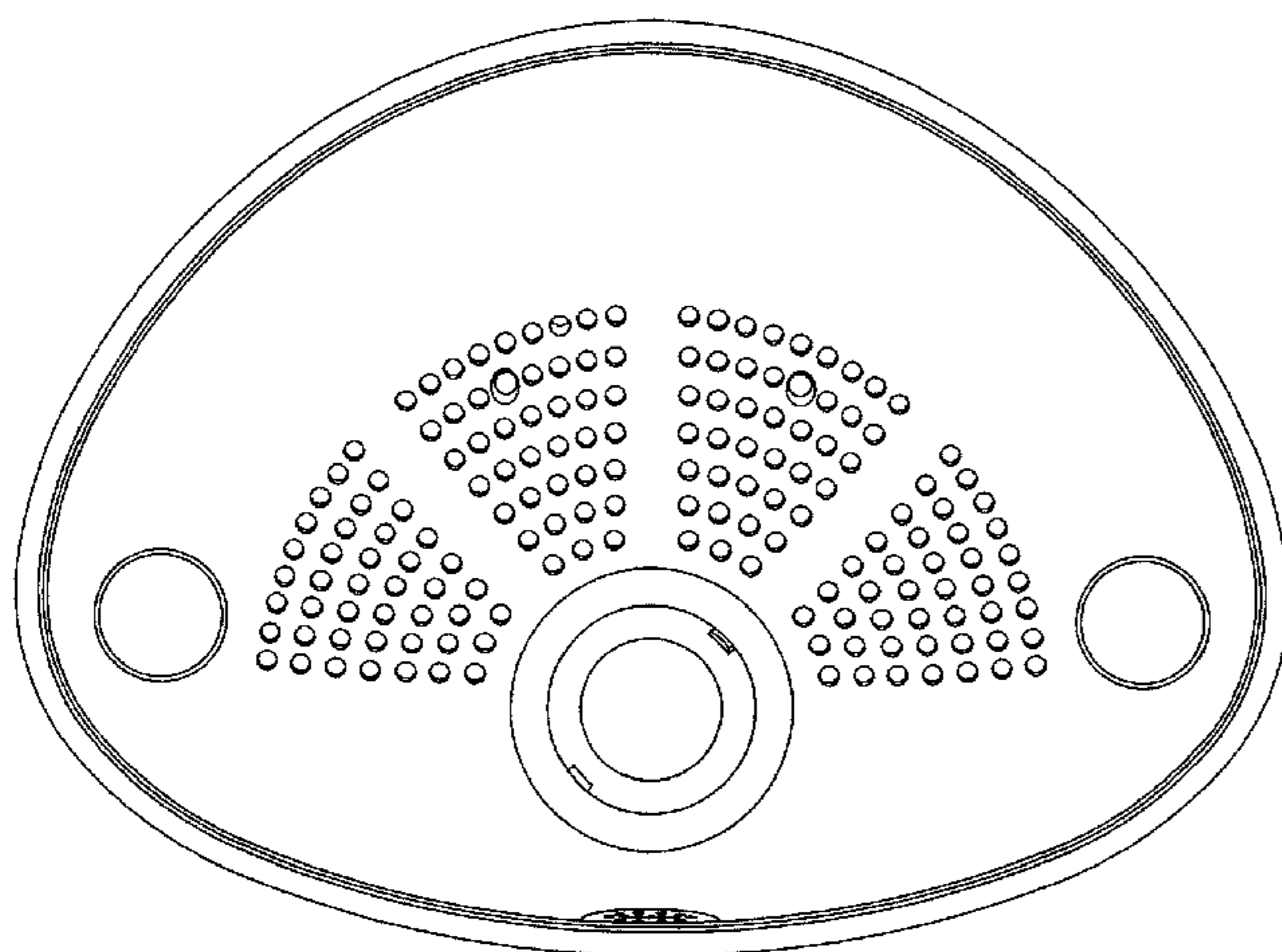
(57) **CLAIM**

The ornamental design for a combined surveillance camera and housing, as shown and described.

**DESCRIPTION**

FIG. 1 is a bottom plan view of a combined surveillance camera and housing showing my new design; FIG. 2 is a top plan view thereof; FIG. 3 is a side elevation view thereof; FIG. 4 is an opposite side elevation view thereof; FIG. 5 is a front elevation view thereof; and, FIG. 6 is a rear elevation view thereof. The broken lines depict portions of a combined surveillance camera and housing in which the design is embodied and form no part of the claimed design.

**1 Claim, 6 Drawing Sheets**



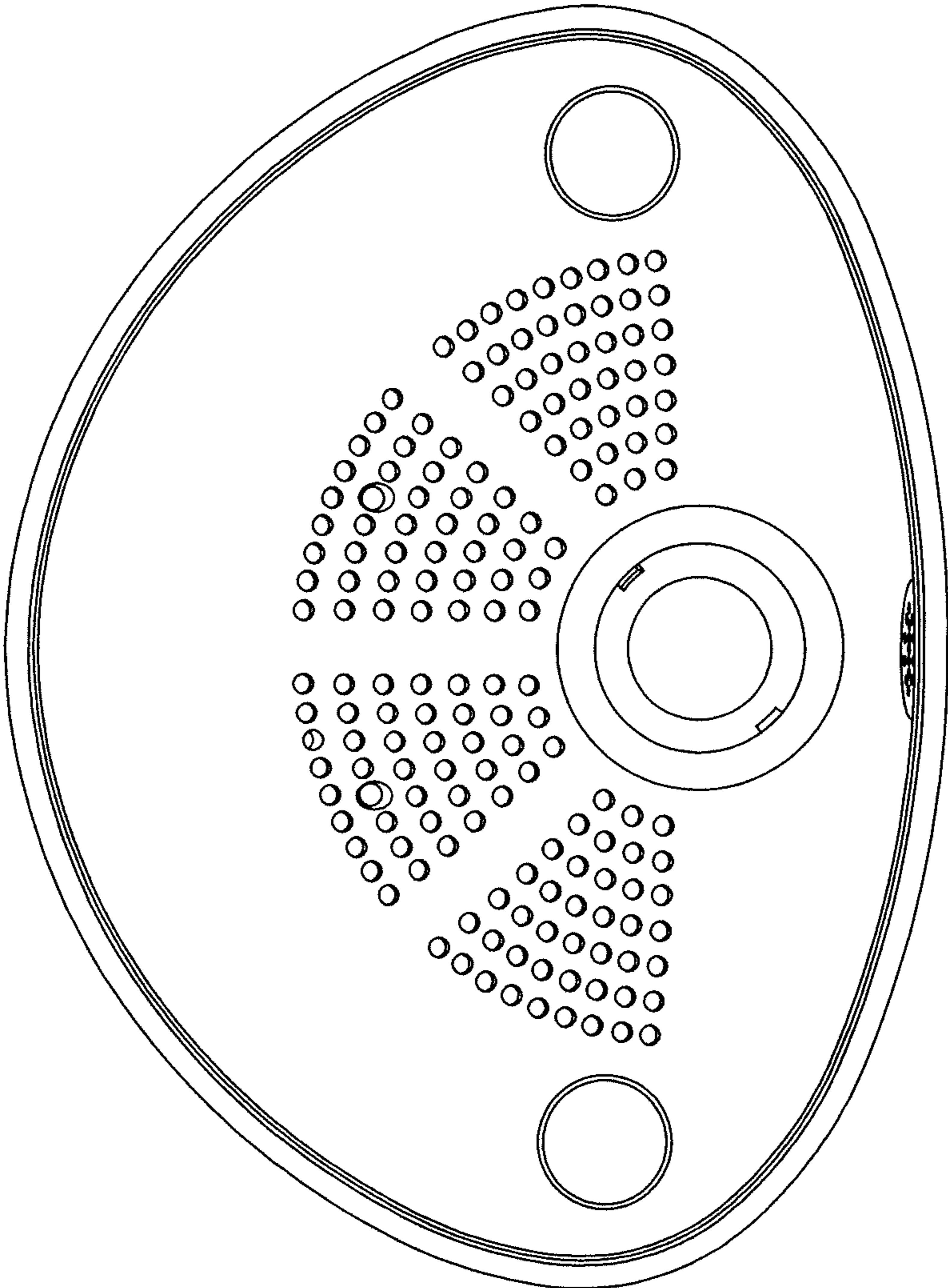


FIG. 1

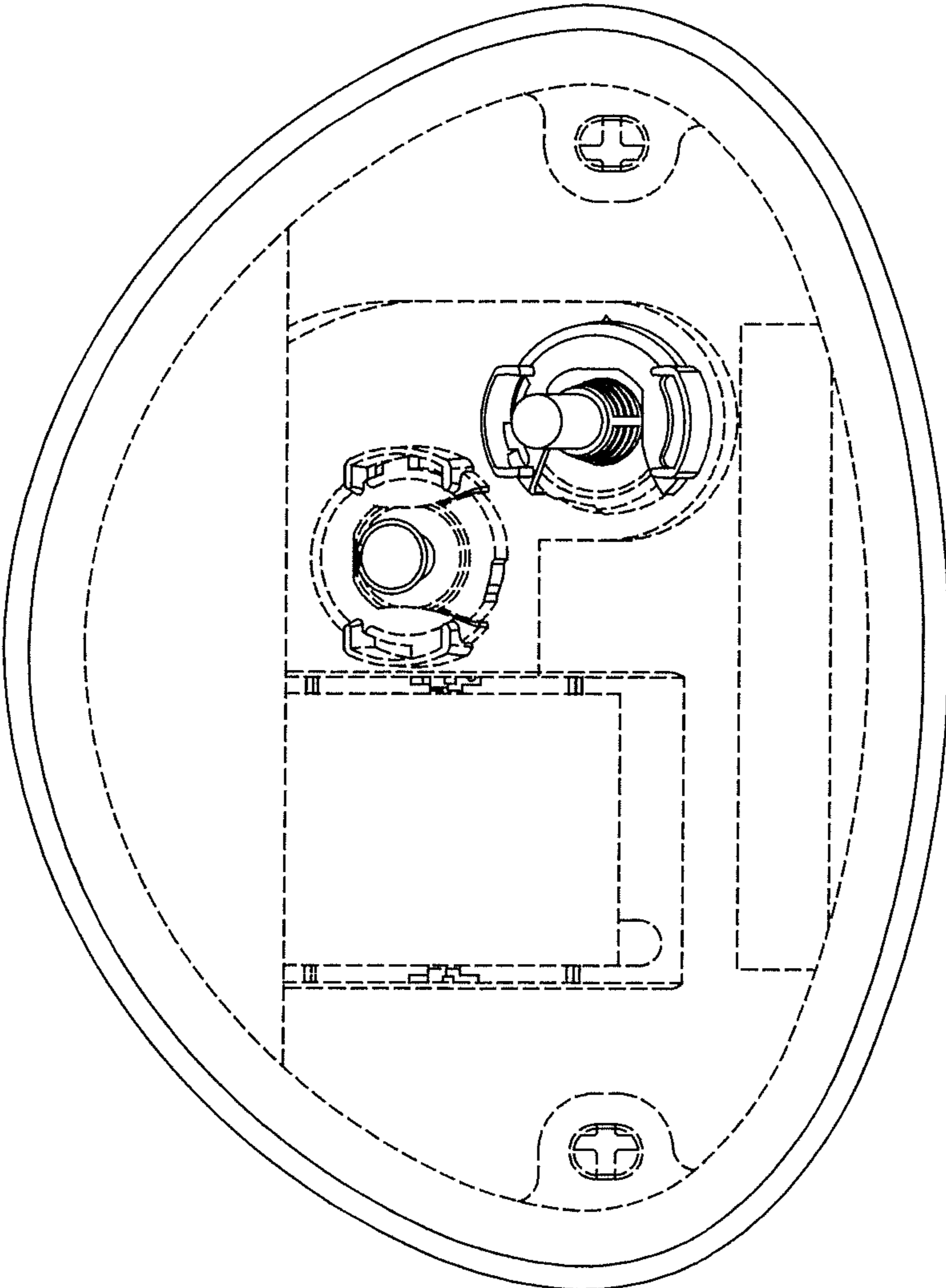


FIG. 2

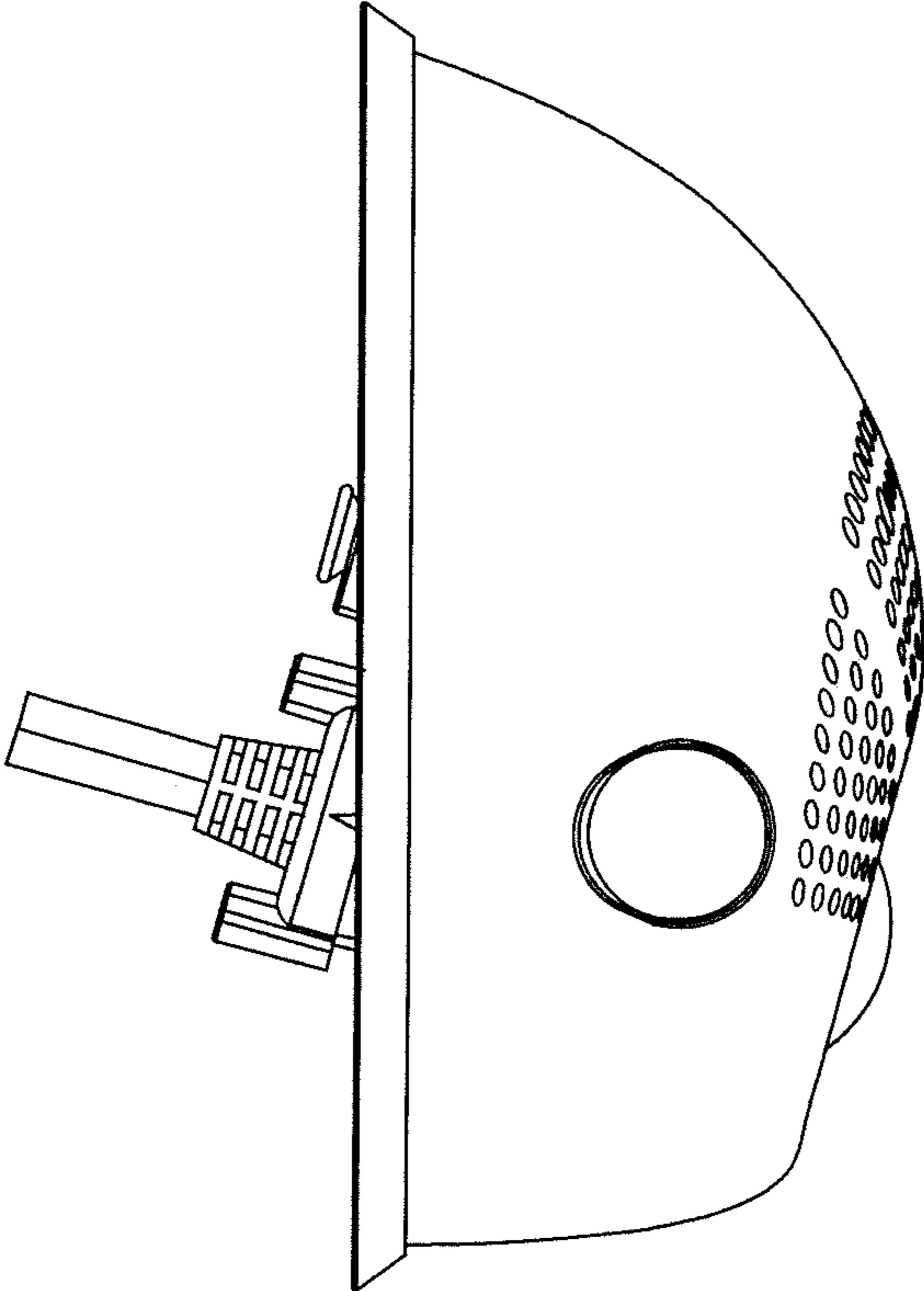


FIG. 3

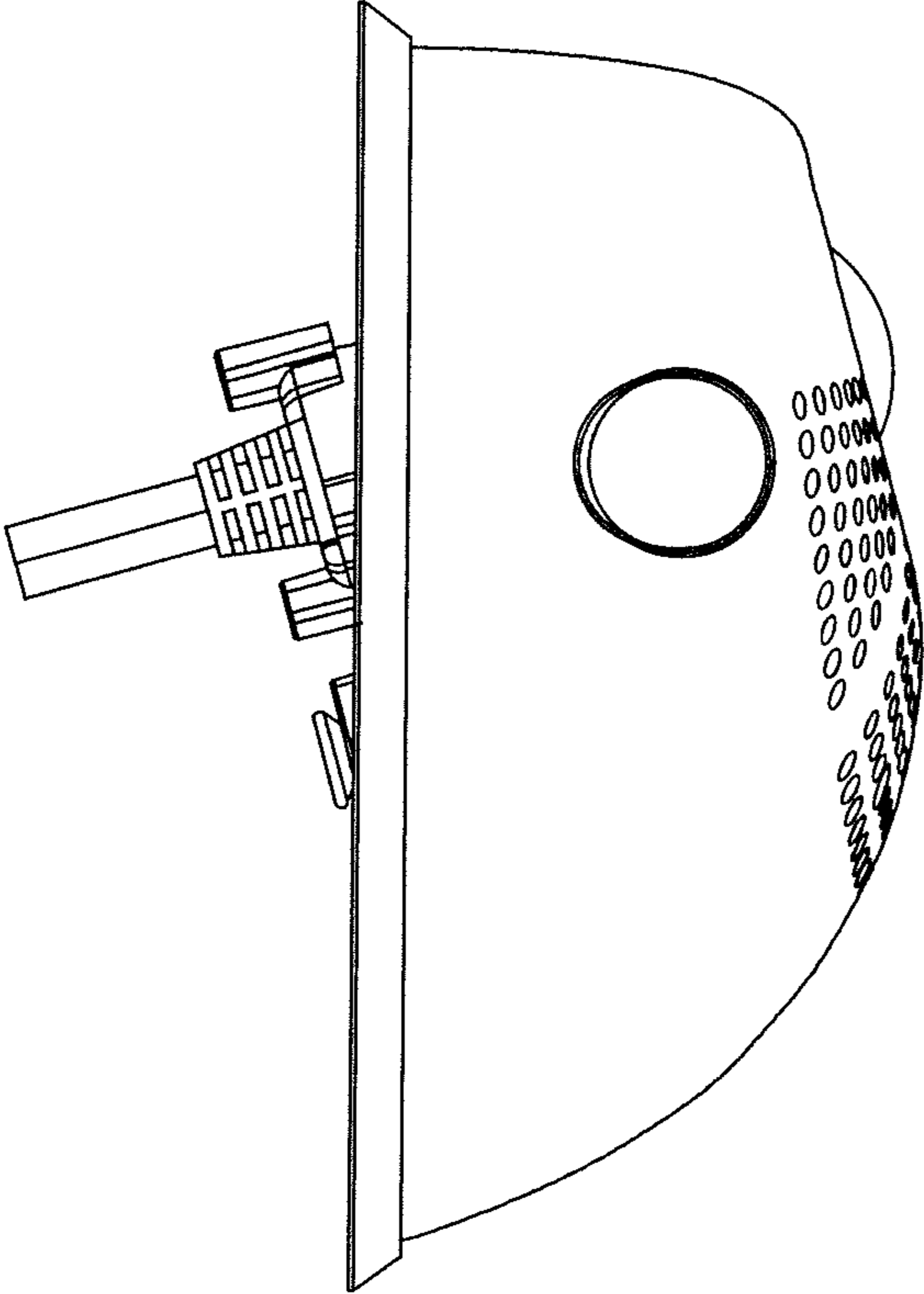


FIG. 4

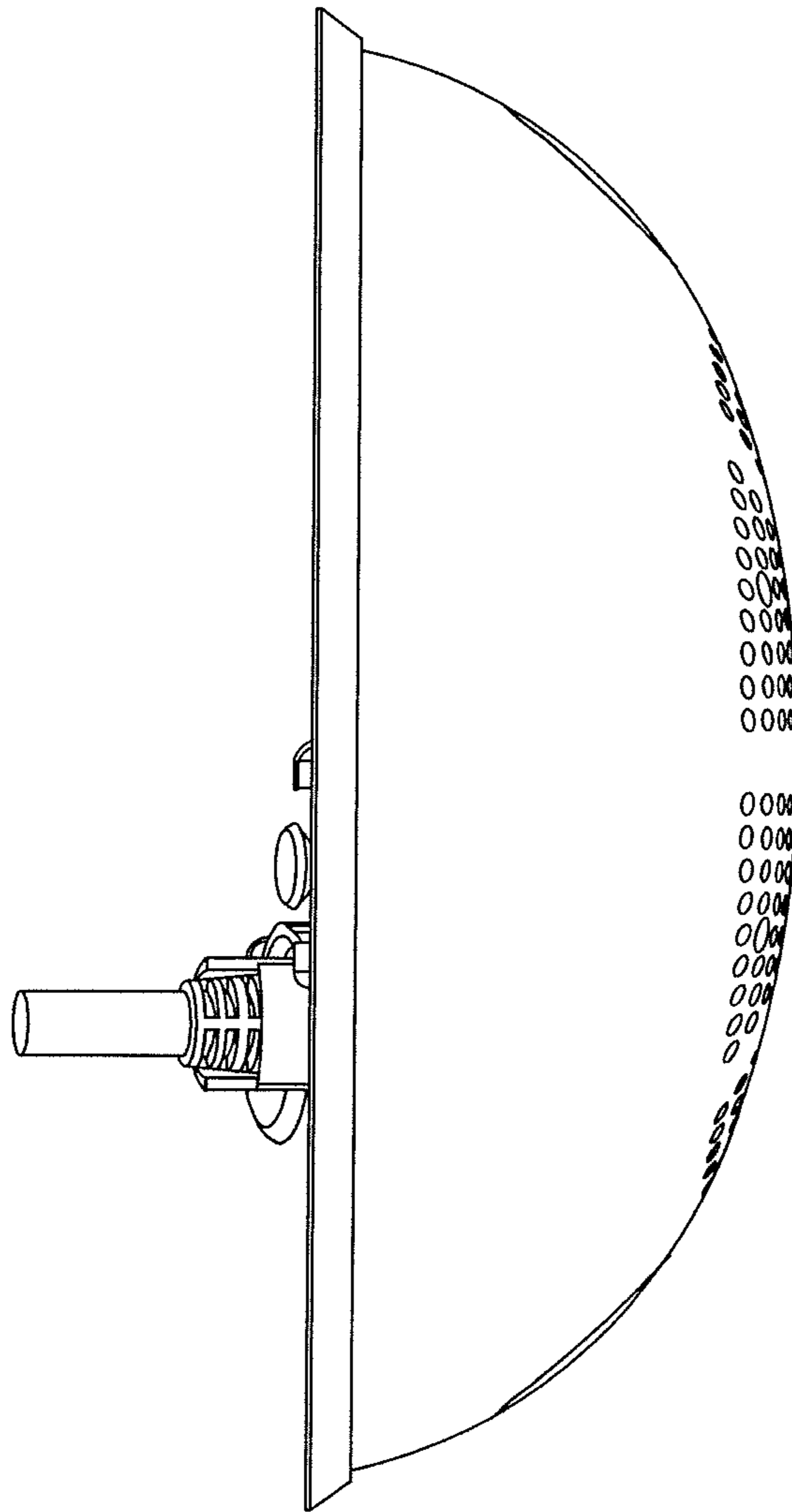


FIG. 5

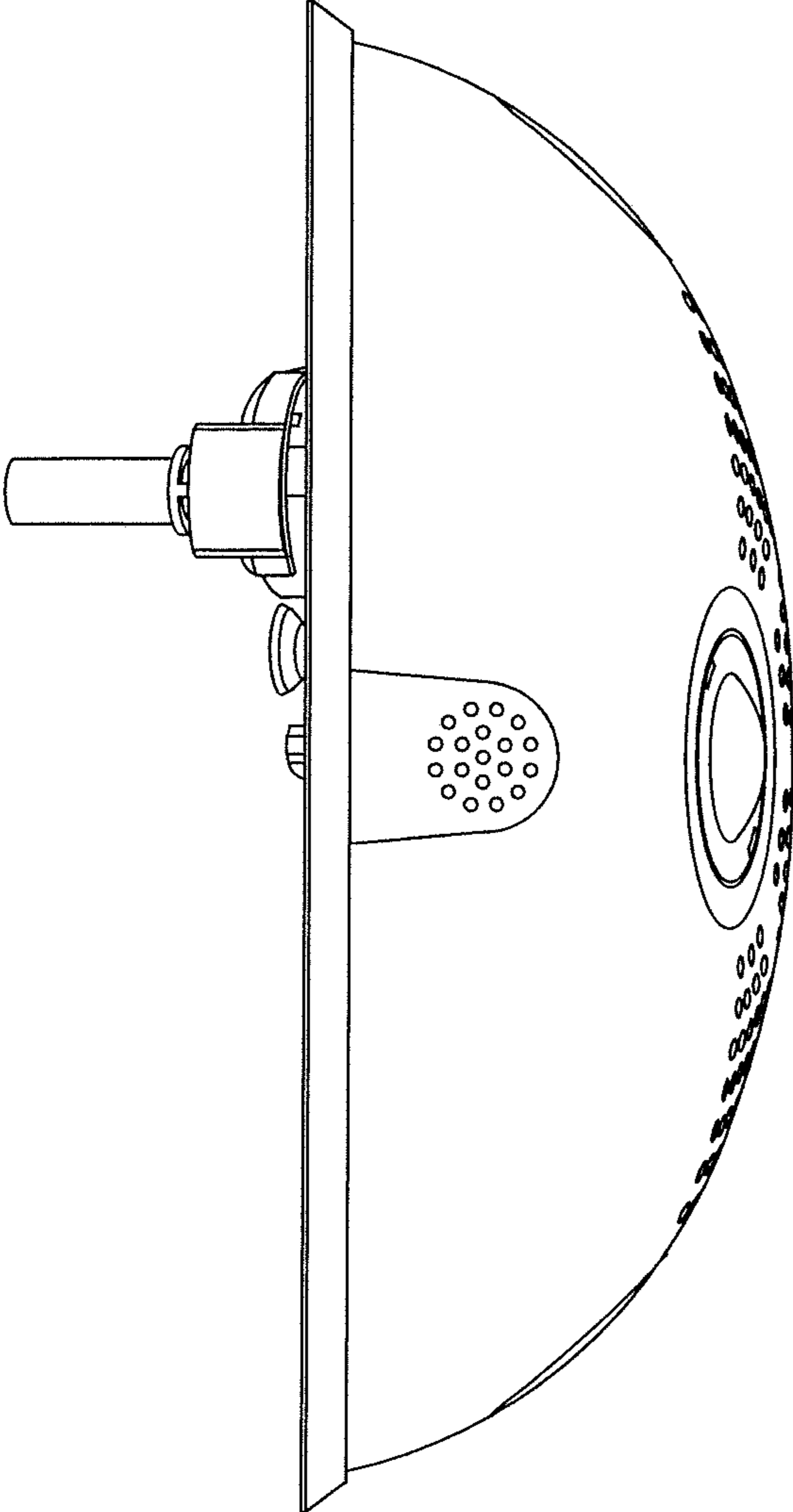


FIG. 6