



US00D771173S

(12) **United States Design Patent**
Hinkel

(10) **Patent No.:** **US D771,173 S**

(45) **Date of Patent:** **** Nov. 8, 2016**

(54) **HOUSING FOR SURVEILLANCE CAMERA**

(71) Applicant: **MOBOTIX AG**, Winnweiler (DE)

(72) Inventor: **Ralf Hinkel**, Höringen (DE)

(73) Assignee: **Mobotix AG** (DE)

(**) Term: **14 Years**

(21) Appl. No.: **29/509,074**

(22) Filed: **Nov. 13, 2014**

(30) **Foreign Application Priority Data**

May 28, 2014 (EM) 0024726470001

(51) **LOC (10) Cl.** **16-01**

(52) **U.S. Cl.**
USPC **D16/203**

(58) **Field of Classification Search**
USPC D16/200, 202–206, 218, 219, 242;
348/143, 148, 151, 373–376; 396/419,
396/427, 535, 539–541
CPC G03B 17/02; G03B 19/04; G03B 17/56;
G03B 17/04; G03B 15/03; H04N 5/2251;
H04N 5/2252; H04N 5/2253; H04N 5/2254;
H04N 7/181; H04N 7/183; H04N 7/18;
G08B 13/1963; G08B 13/19619; G08B
13/19632; F16M 11/04; F16M 13/00
See application file for complete search history.

(56) **References Cited**

U.S. PATENT DOCUMENTS

5,153,623 A * 10/1992 Bouvier G08B 13/19632
348/151
6,268,882 B1 * 7/2001 Elberbaum G08B 13/19619
348/143

D542,319 S * 5/2007 Ishida D16/202
D543,567 S * 5/2007 Kato D16/203
D552,650 S * 10/2007 Yamakawa D16/203
D597,117 S * 7/2009 Yamane D16/203
D608,811 S * 1/2010 Frank D16/203
D609,732 S * 2/2010 Frank D16/203
D626,984 S * 11/2010 Miyaji D16/202
D633,931 S * 3/2011 Ham D16/203
D708,654 S * 7/2014 Tani D16/203
D719,204 S * 12/2014 Nakanishi D16/203
D722,635 S * 2/2015 Richardson D16/203

* cited by examiner

Primary Examiner — Susan E Krakower

Assistant Examiner — Ramzi Almatrahi

(74) *Attorney, Agent, or Firm* — Faegre Baker Daniels
LLP

(57) **CLAIM**

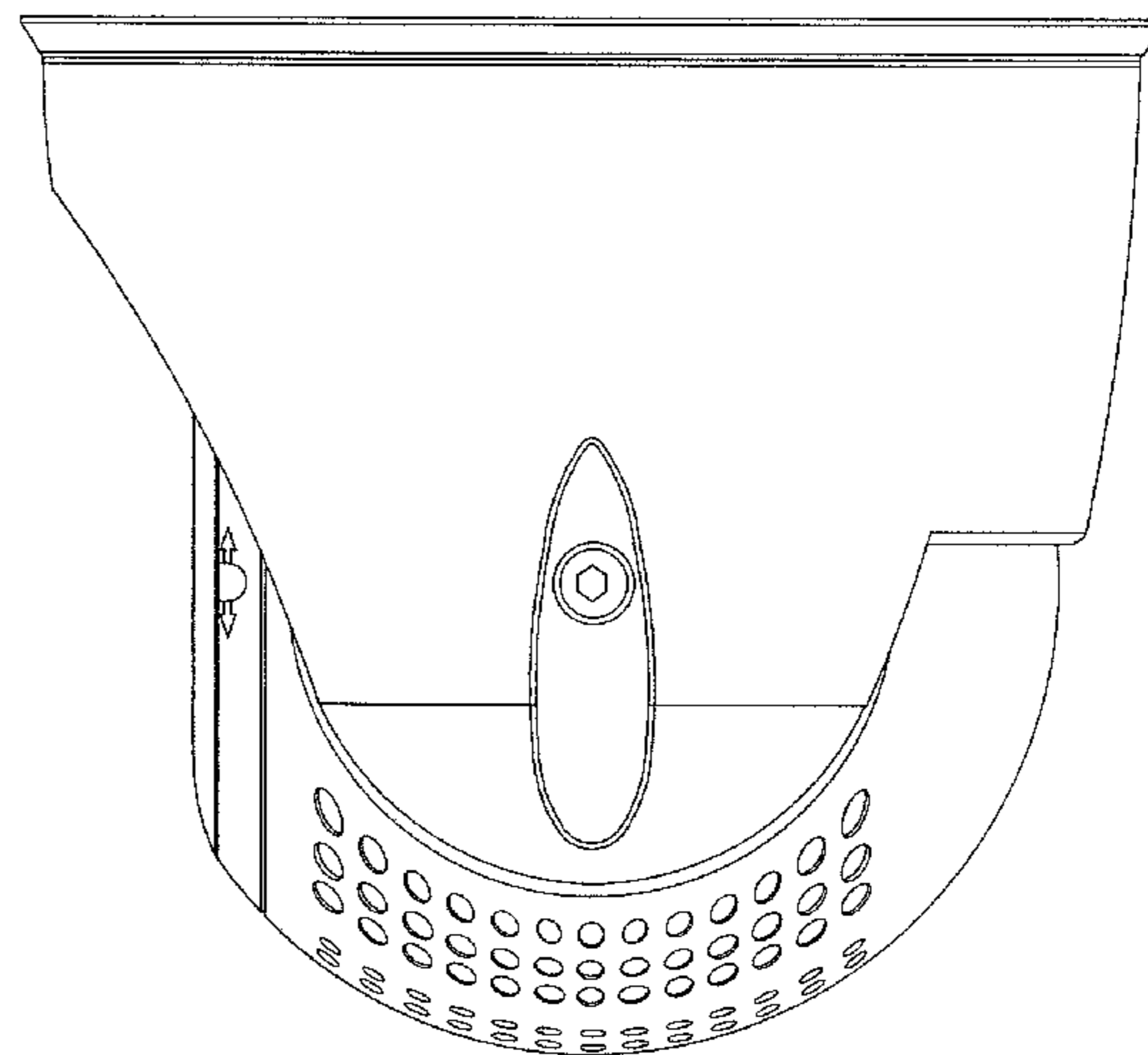
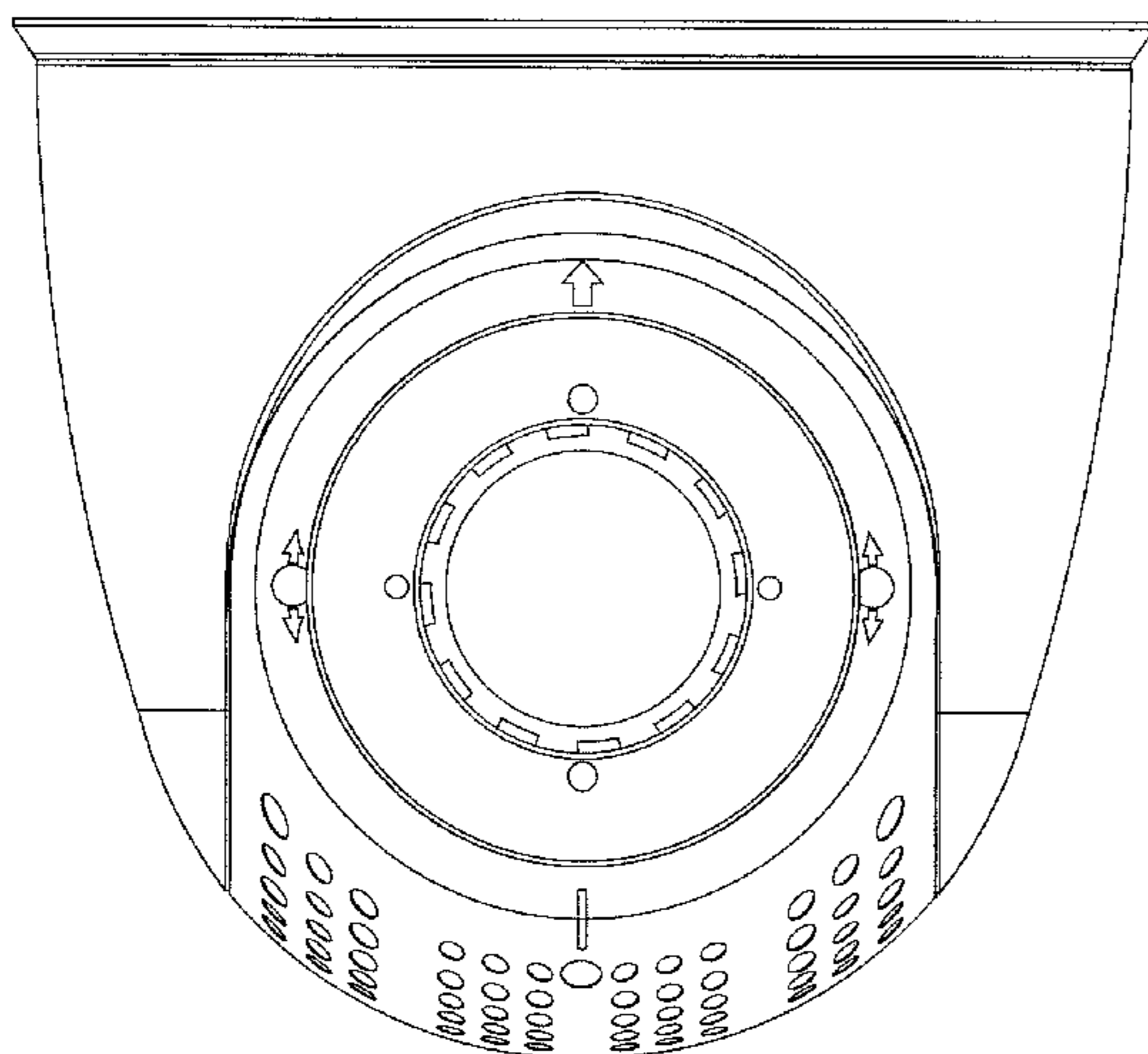
The ornamental design for a housing for surveillance camera, as shown and described.

DESCRIPTION

FIG. 1 is a front elevation view of a housing for a surveillance camera showing my new design; FIG. 2 is a side elevation view thereof; FIG. 3 is a rear elevation view thereof; FIG. 4 is an opposite side elevation view thereof; FIG. 5 is a bottom plan view thereof; and, FIG. 6 is a top plan view thereof.

The broken lines depict portions of a housing for surveillance camera in which the design is embodied and form no part of the claimed design.

1 Claim, 6 Drawing Sheets



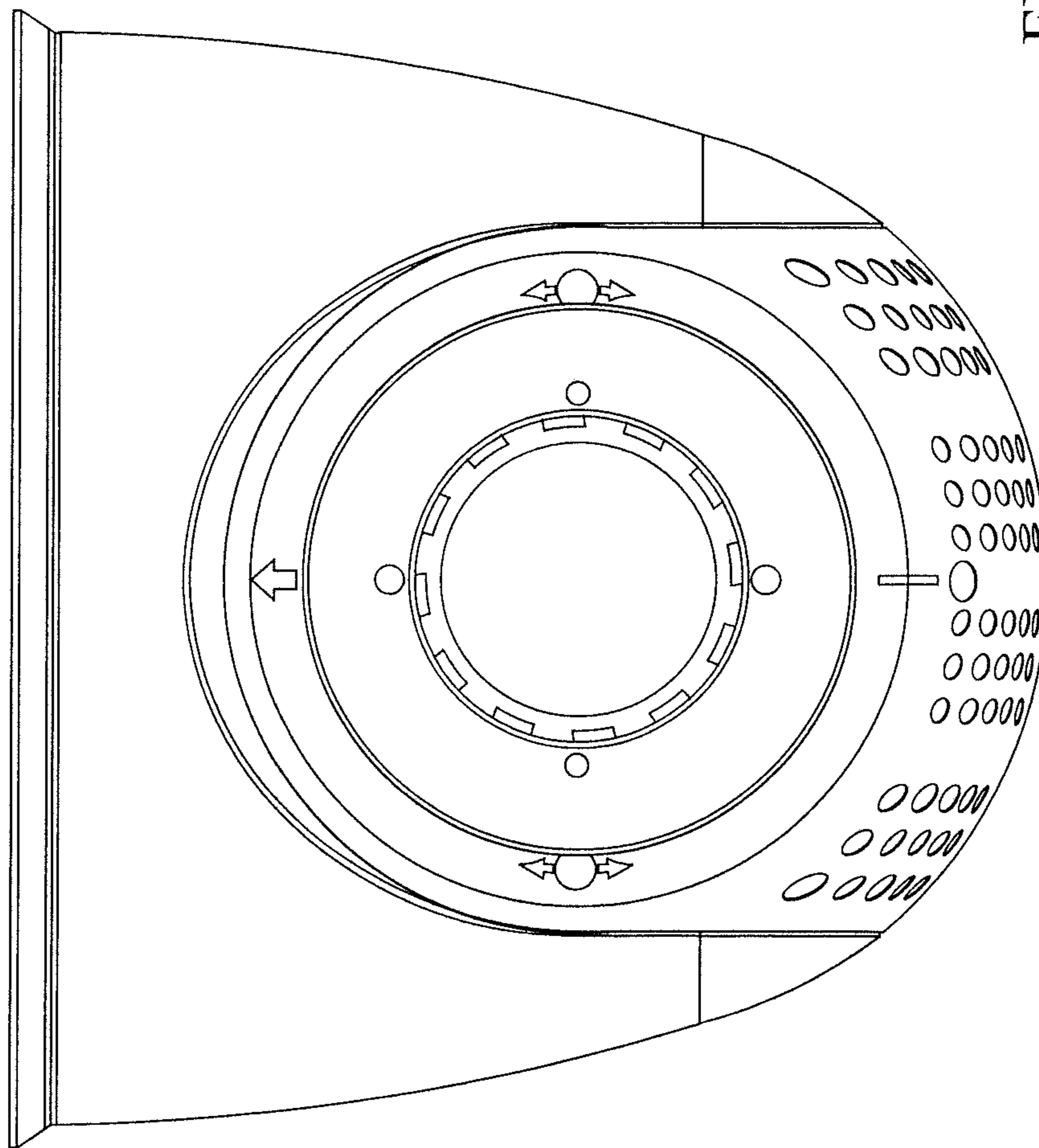


FIG. 1

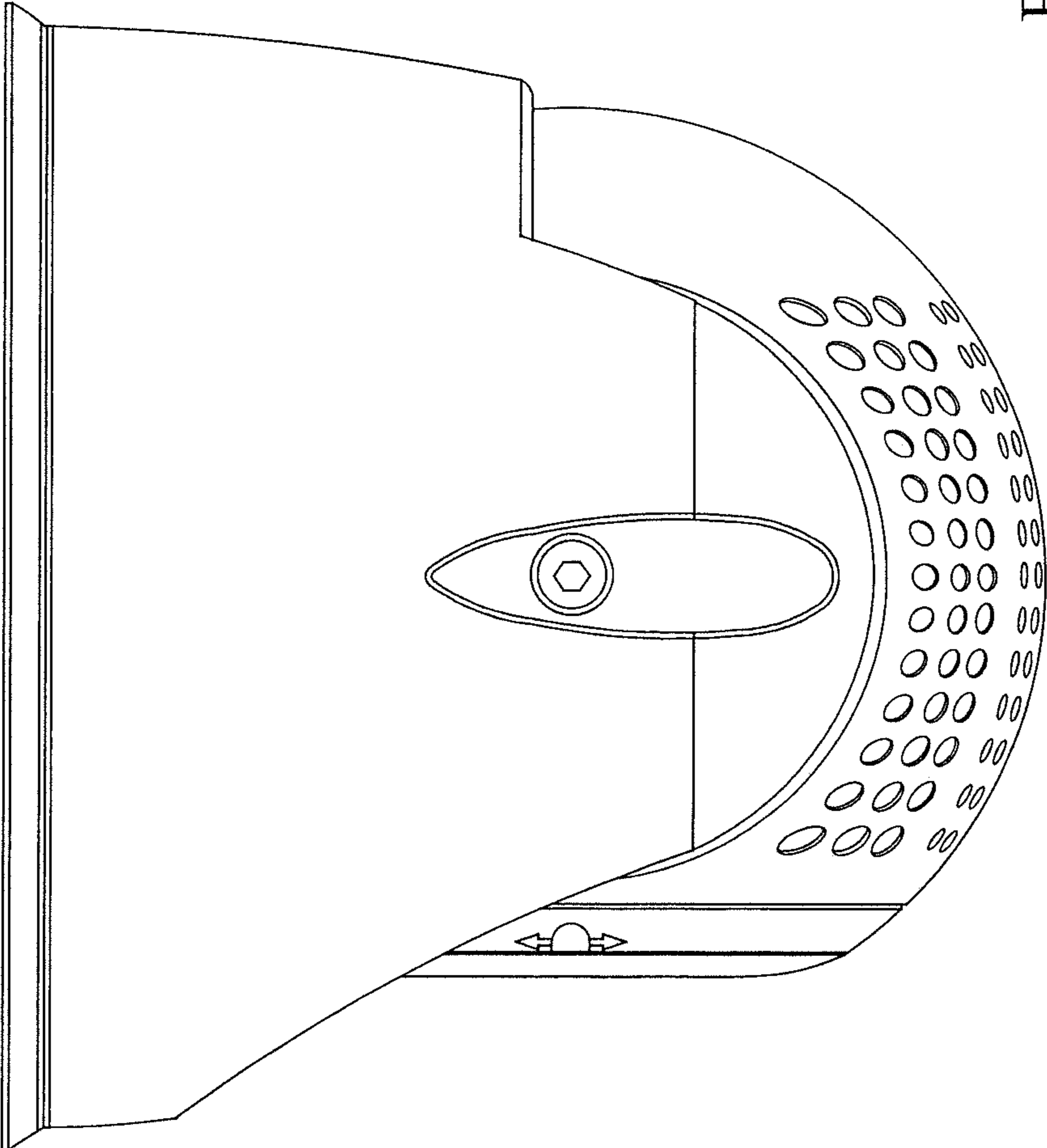


FIG. 2

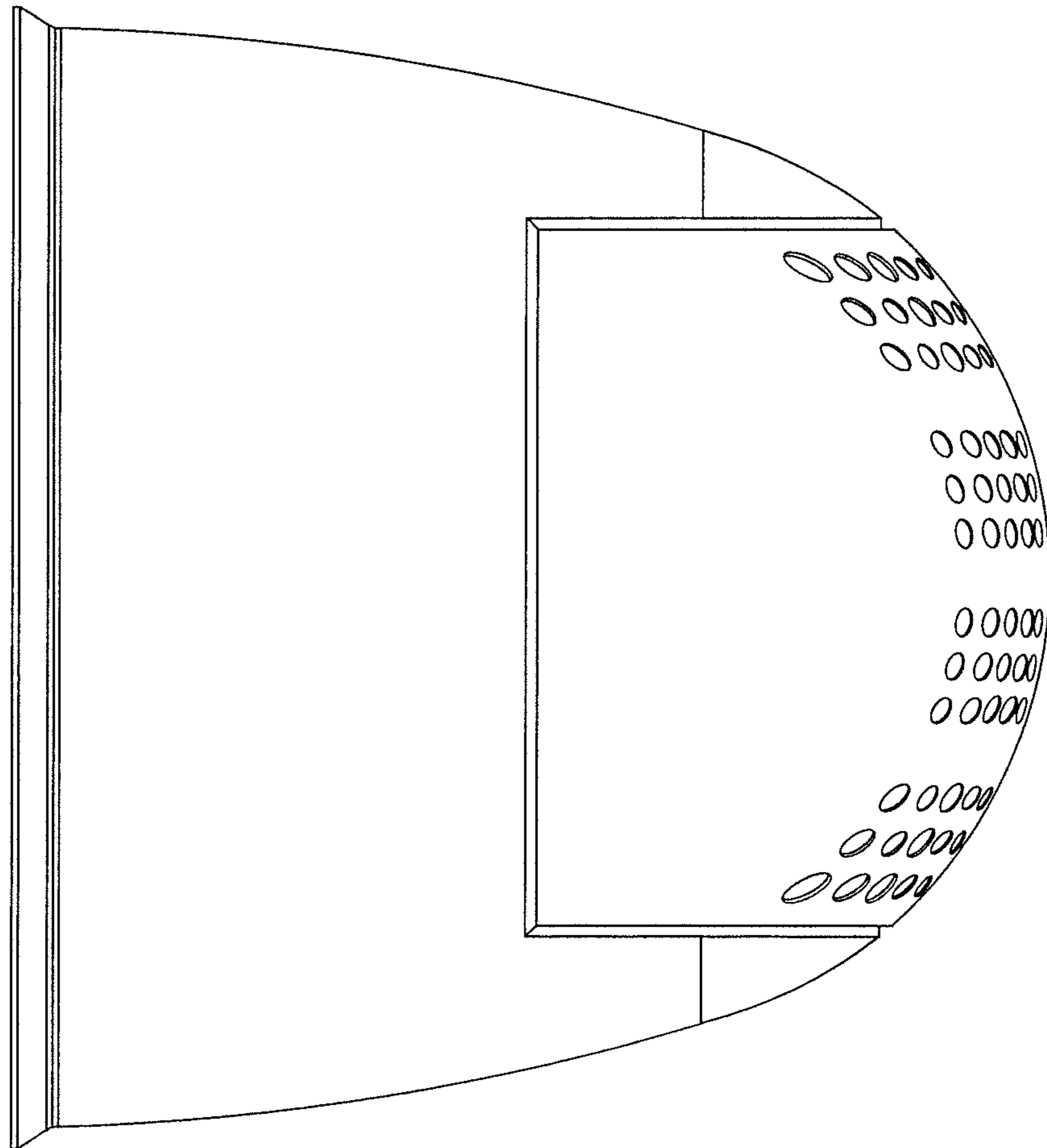


FIG. 3

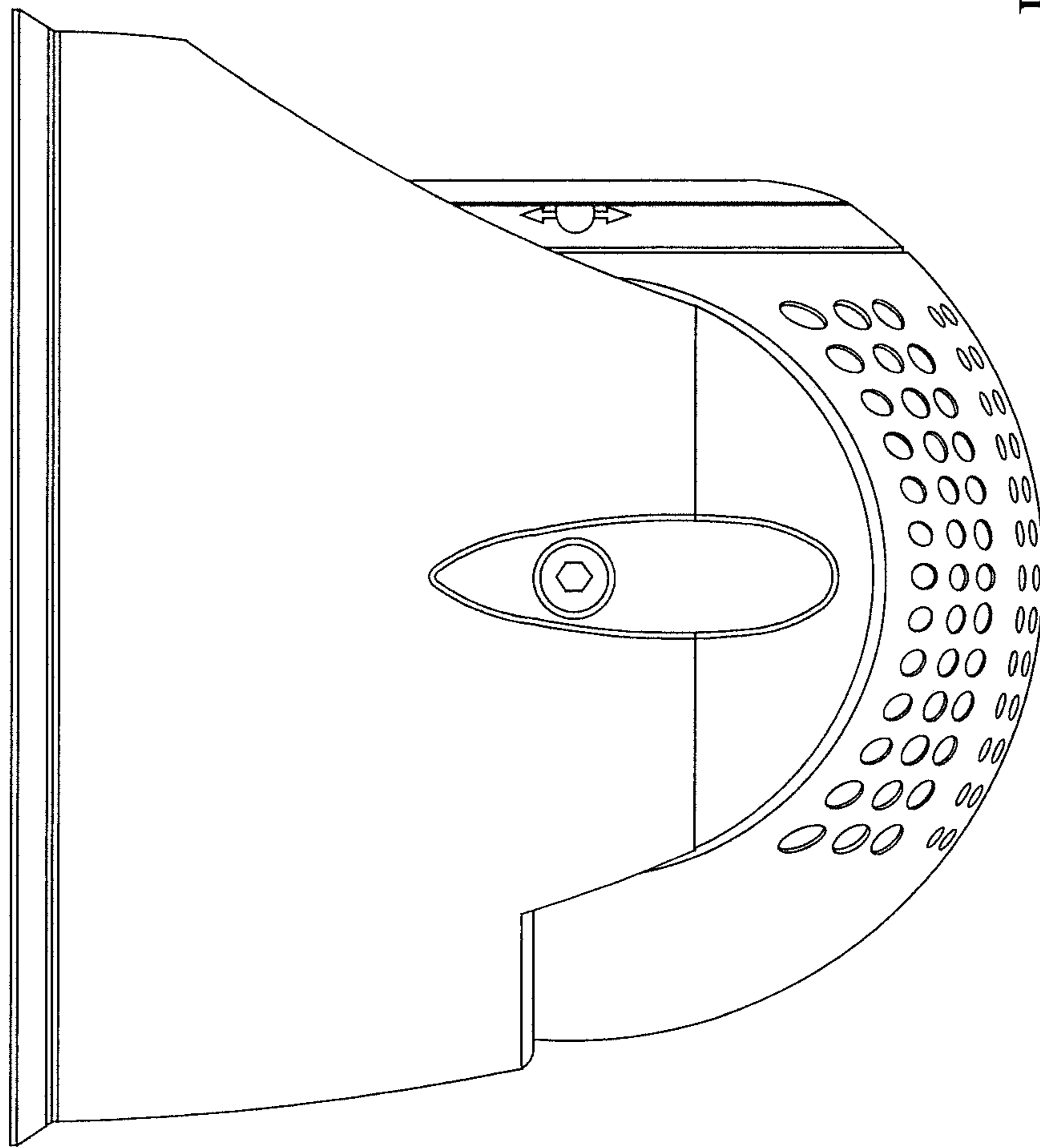


FIG. 4

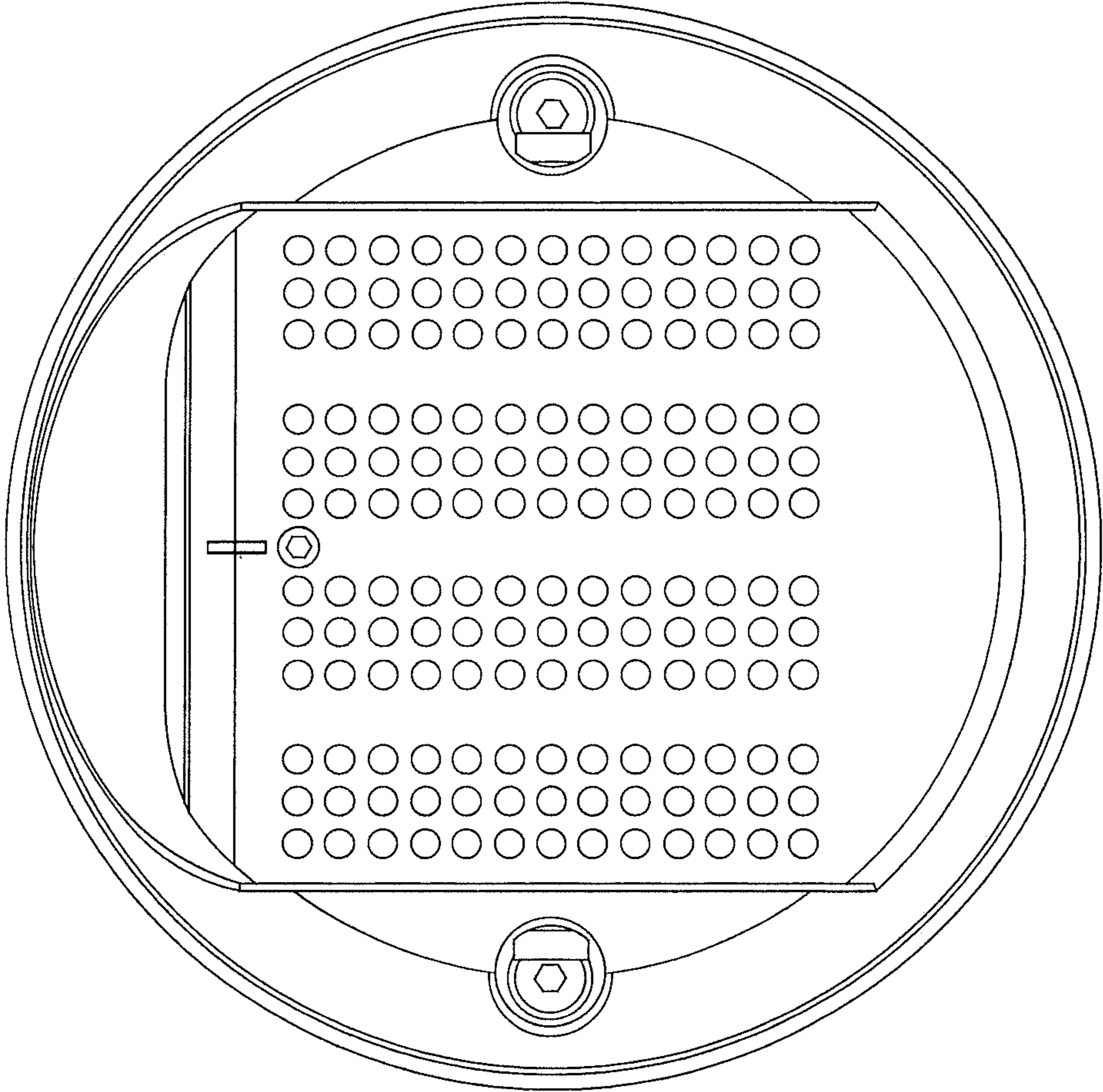


FIG. 5

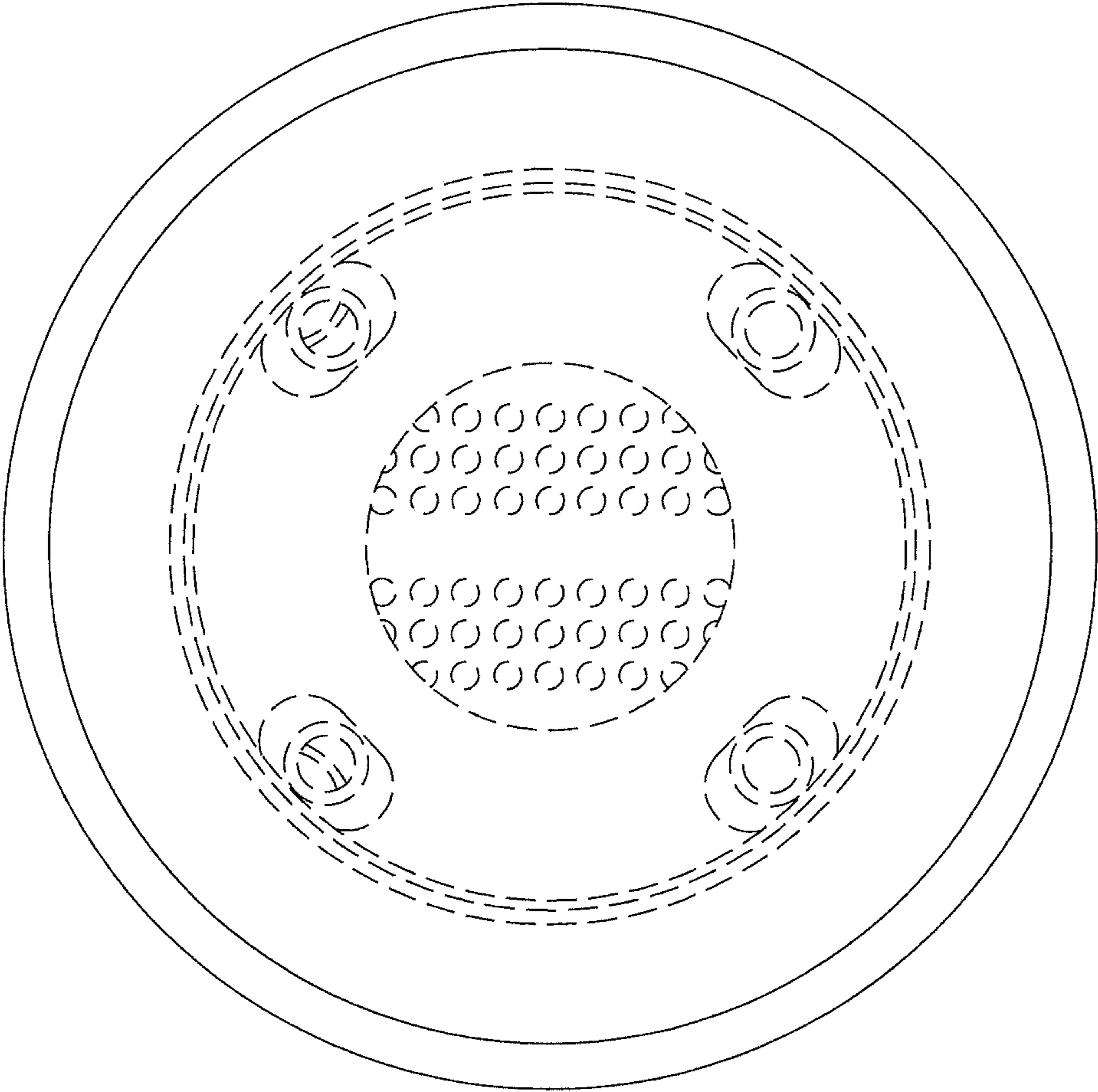


FIG. 6