



US00D771172S

(12) **United States Design Patent**  
**Huang et al.**

(10) **Patent No.:** **US D771,172 S**  
(45) **Date of Patent:** **\*\* Nov. 8, 2016**

- (54) **LENS**
- (71) Applicant: **Chun Kuang Optics Corp.**, Hsinchu County (TW)
- (72) Inventors: **Hsin-Chieh Huang**, Hsinchu County (TW); **Shun-Wen Teng**, Hsinchu County (TW); **Shun Wang**, Hsinchu County (TW)
- (73) Assignee: **CHUN KUANG OPTICS CORP.**, Hsinchu County (TW)
- (\*\*) Term: **15 Years**
- (21) Appl. No.: **29/537,710**
- (22) Filed: **Aug. 28, 2015**
- (51) **LOC (10) Cl.** ..... **16-06**
- (52) **U.S. Cl.**  
USPC ..... **D16/134**
- (58) **Field of Classification Search**  
USPC ..... 362/249.11, 364, 335, 363; D26/1, 2, D26/61, 65, 66, 68, 69, 72, 74, 76, 86, 87, D26/88, 89, 93, 98, 121, 122, 123-125, D26/128; D16/130-136, 200, 225, 229  
See application file for complete search history.

- 6,808,293 B2 \* 10/2004 Watanabe ..... G08G 1/095 362/240
- 6,929,384 B2 \* 8/2005 Watanabe ..... F21V 5/04 362/235
- 6,953,271 B2 \* 10/2005 Aynie ..... F21S 48/215 362/327
- 7,270,454 B2 \* 9/2007 Amano ..... F21S 48/215 362/328
- 7,452,093 B2 \* 11/2008 Nagao ..... G02B 6/0031 362/309
- 7,473,013 B2 \* 1/2009 Shimada ..... F21K 9/00 257/98
- D620,635 S \* 7/2010 Chen ..... D26/124
- D622,898 S \* 8/2010 Chen ..... D26/124
- D632,322 S \* 2/2011 Chiang ..... D16/101
- D634,882 S \* 3/2011 Kim ..... D26/120
- 7,985,015 B2 \* 7/2011 Tasch ..... H01L 33/54 362/309
- 8,029,163 B2 \* 10/2011 Chen ..... F21V 5/04 362/308

(Continued)

*Primary Examiner* — Susan Bennett Hattan  
*Assistant Examiner* — Jennifer Wright  
(74) *Attorney, Agent, or Firm* — Chun-Ming Shih; HDLS IPR Services

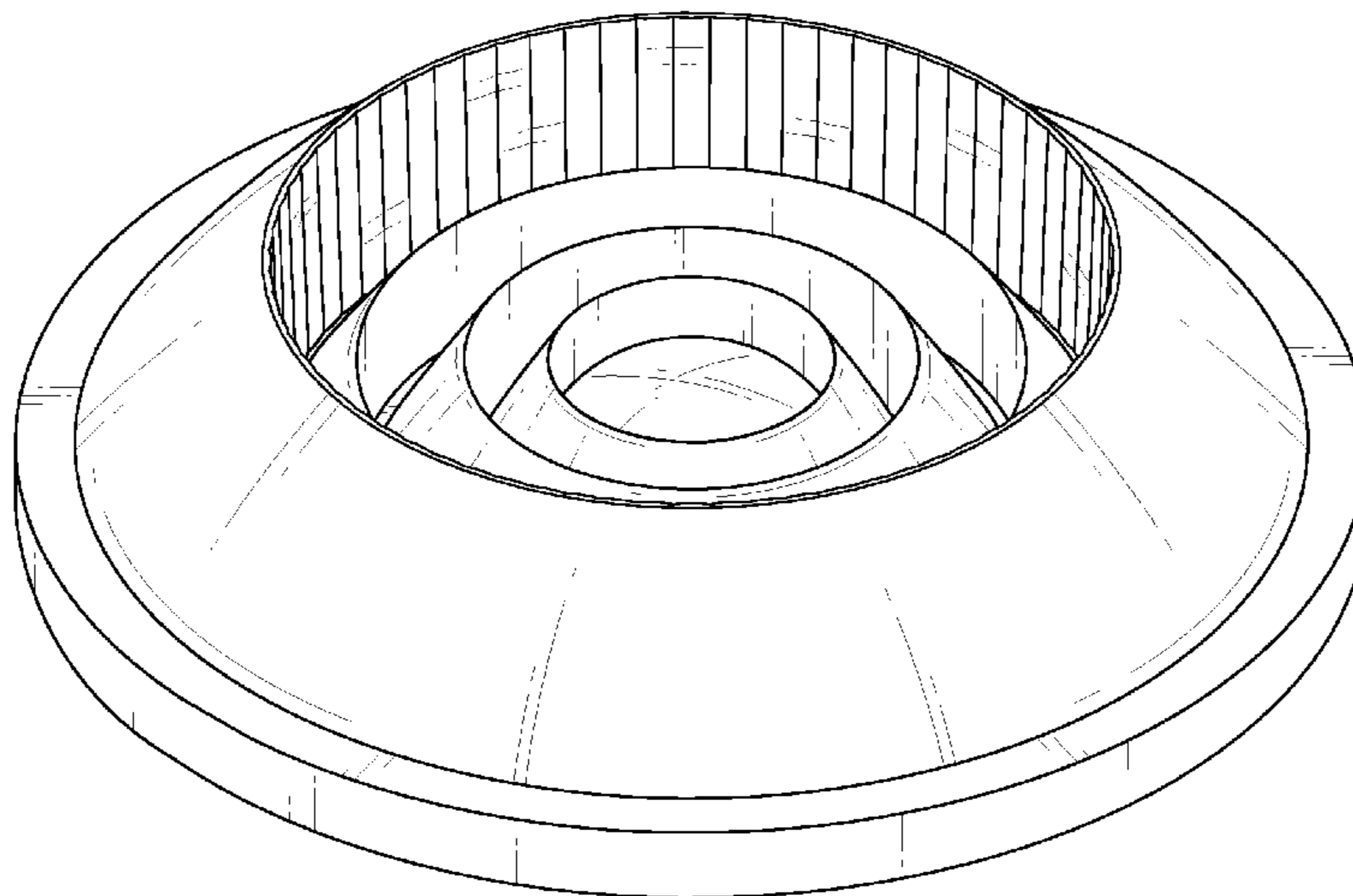
(57) **CLAIM**  
The ornamental design for a lens, as shown and described.

**DESCRIPTION**

FIG. 1 is a perspective view of a lens showing my new design;  
FIG. 2 is a front view thereof;  
FIG. 3 is a rear view thereof;  
FIG. 4 is a left side view thereof;  
FIG. 5 is a right side view thereof;  
FIG. 6 is a top view thereof;  
FIG. 7 is a bottom view thereof; and,  
FIG. 8 is second perspective view showing the lens; and,  
FIG. 9 is a cross sectional view taken along line 9-9 shown in FIG. 6.

**1 Claim, 9 Drawing Sheets**

- (56) **References Cited**  
U.S. PATENT DOCUMENTS
- 5,704,709 A \* 1/1998 Zwick ..... F21S 48/215 257/E33.072
- 5,947,587 A \* 9/1999 Keuper ..... G08G 1/095 362/235
- 6,019,493 A \* 2/2000 Kuo ..... F21V 5/008 116/63 R
- D437,654 S \* 2/2001 Chen ..... D26/74
- 6,407,859 B1 \* 6/2002 Hennen ..... G03B 21/625 359/454
- 6,755,556 B2 \* 6/2004 Gasquet ..... F21S 48/2212 362/328
- D495,822 S \* 9/2004 Yoneda ..... D26/124



(56)

References Cited

U.S. PATENT DOCUMENTS

8,068,288	B1 *	11/2011	Pitou .....	G02B 3/08 359/743	2007/0165303	A1 *	7/2007	Osawa .....	G02B 3/08 359/460
8,120,048	B2 *	2/2012	Chen .....	F21V 5/04 257/95	2008/0297918	A1 *	12/2008	Park .....	G02B 3/08 359/709
8,267,553	B2 *	9/2012	Liang .....	F21V 13/04 362/308	2010/0014286	A1 *	1/2010	Yoneda .....	F21V 5/00 362/231
8,277,109	B2 *	10/2012	Ko .....	F21V 29/75 362/249.02	2010/0226022	A1 *	9/2010	Shen .....	G02B 3/08 359/742
D686,773	S *	7/2013	Tseng .....	D26/118	2010/0302654	A1 *	12/2010	Amano .....	G02B 3/08 359/742
D689,649	S *	9/2013	Popper .....	D26/124	2011/0110097	A1 *	5/2011	Fu .....	F21V 5/04 362/296.01
D698,847	S *	2/2014	Tainaka .....	D16/219	2011/0110098	A1 *	5/2011	Fu .....	F21V 5/04 362/308
D719,700	S *	12/2014	Chou .....	D26/120	2011/0149418	A1 *	6/2011	Togino .....	G02B 3/08 359/742
D759,873	S *	6/2016	Saaranen .....	D26/74	2011/0157726	A1 *	6/2011	Chen .....	F24J 2/085 359/742
2004/0264196	A1 *	12/2004	Shu .....	F21V 5/04 362/294	2012/0262921	A1 *	10/2012	Boomgaarden .....	F21S 8/026 362/249.02
2004/0264199	A1 *	12/2004	Shu .....	F21K 9/233 362/327	2014/0191129	A1 *	7/2014	Jang .....	G01J 5/0022 250/338.3
2005/0201118	A1 *	9/2005	Godo .....	F21V 5/04 362/555					
2006/0077568	A1 *	4/2006	Okamura .....	G02B 3/08 359/742					

\* cited by examiner

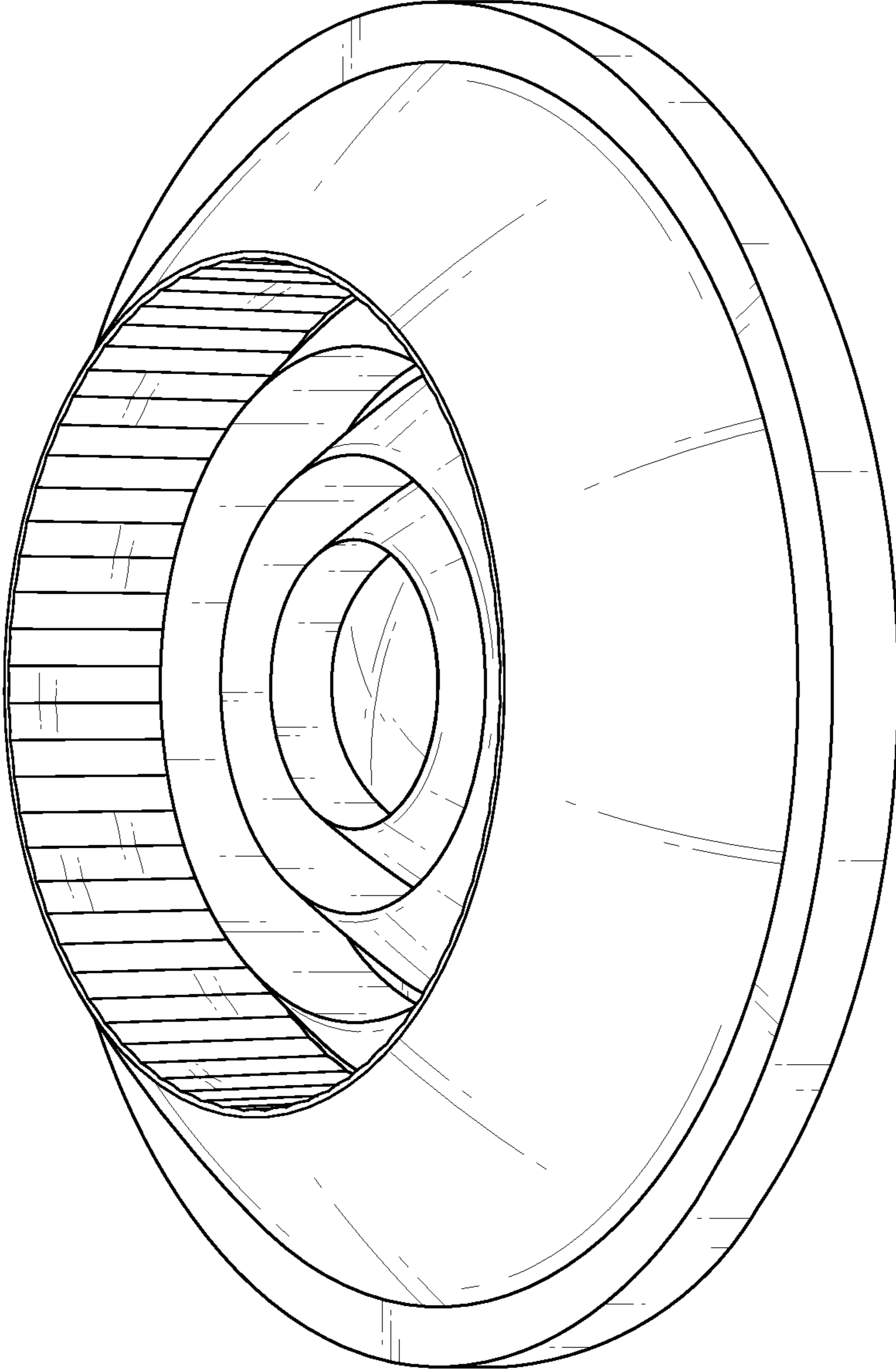


FIG.1

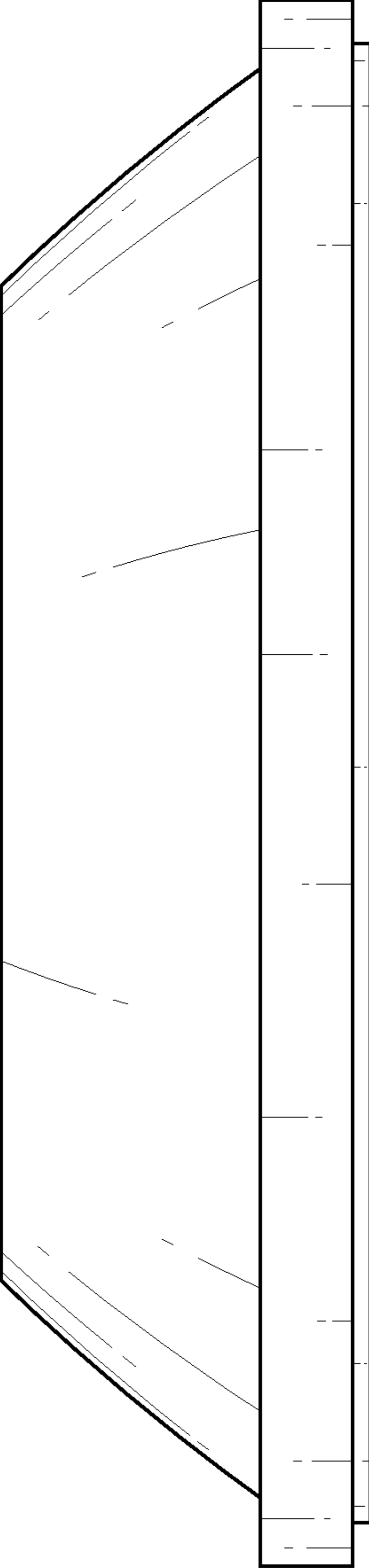


FIG.2

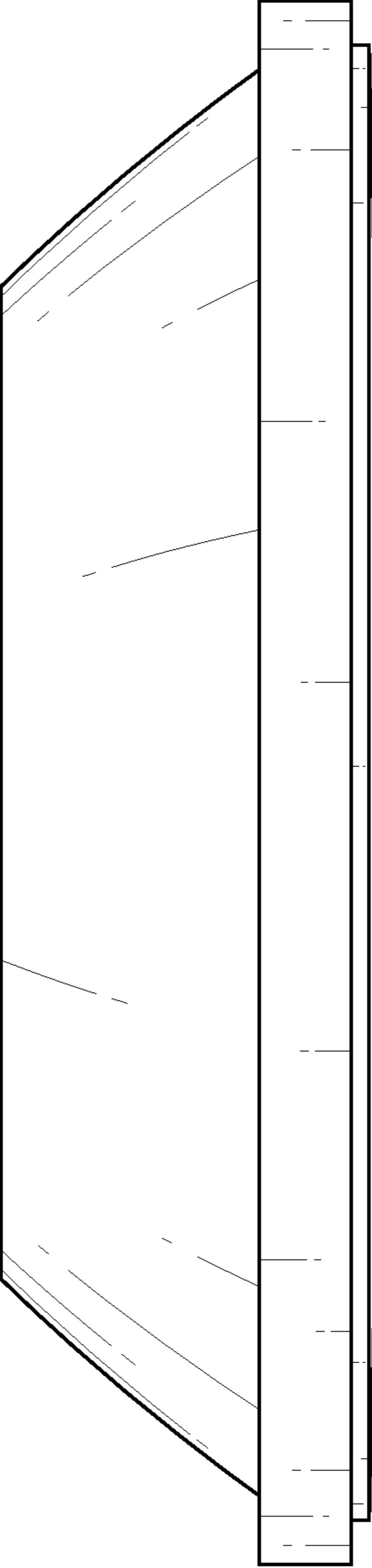


FIG.3

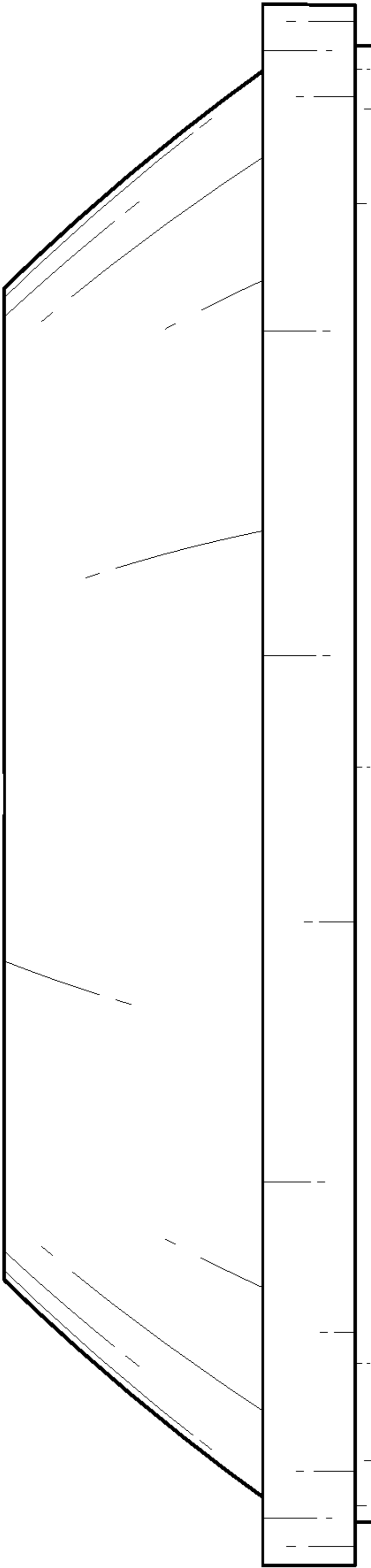


FIG.4

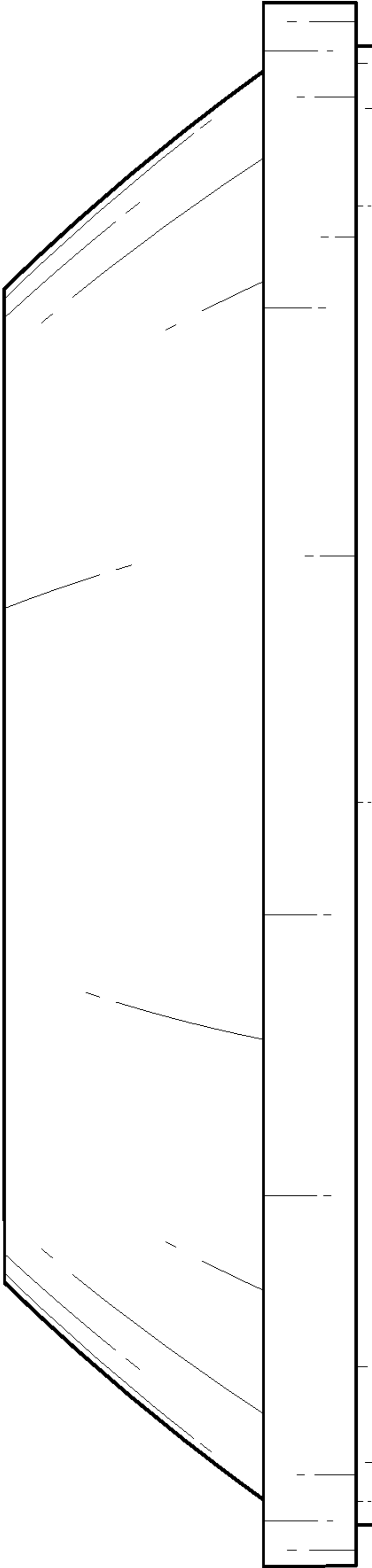


FIG.5

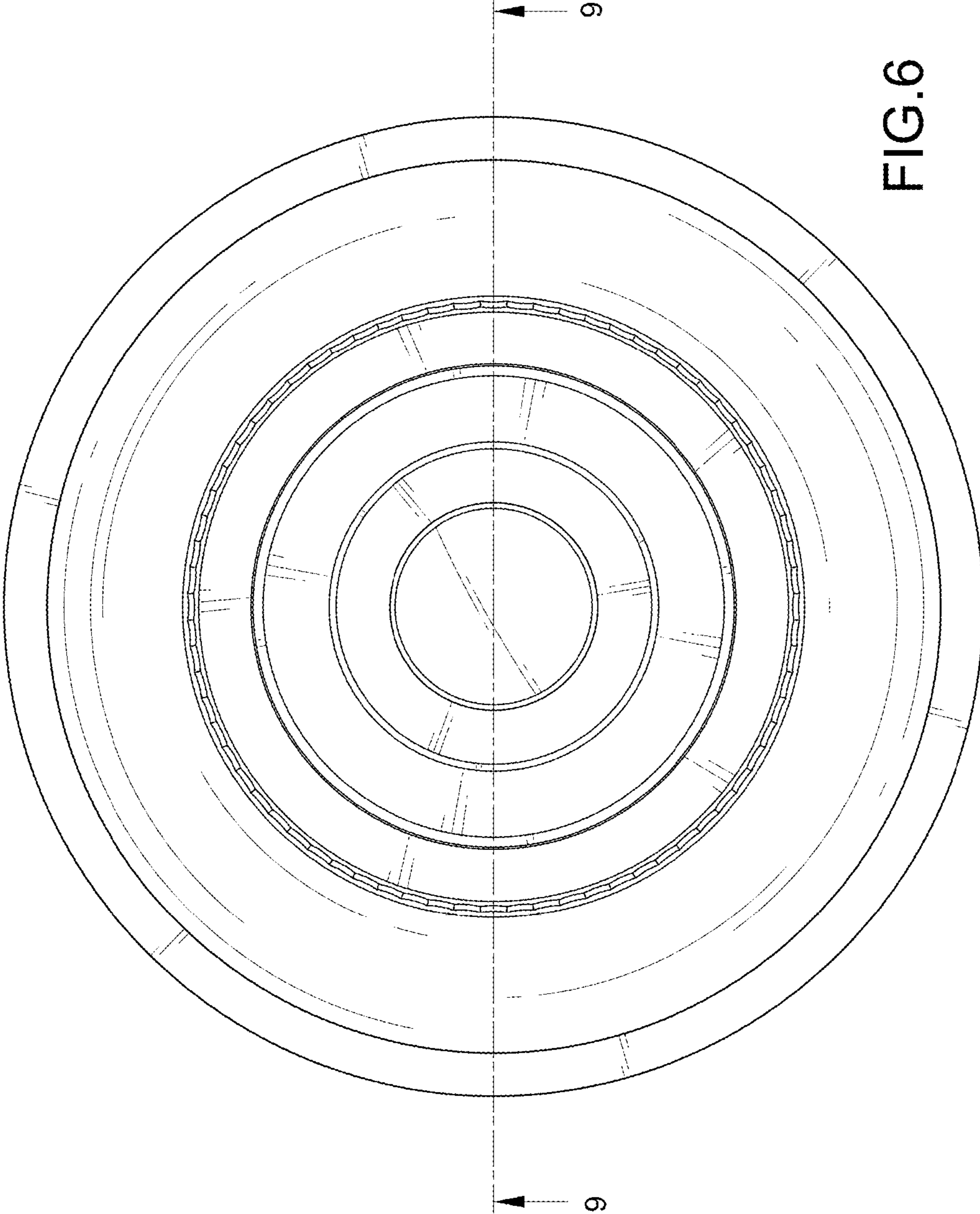


FIG.6



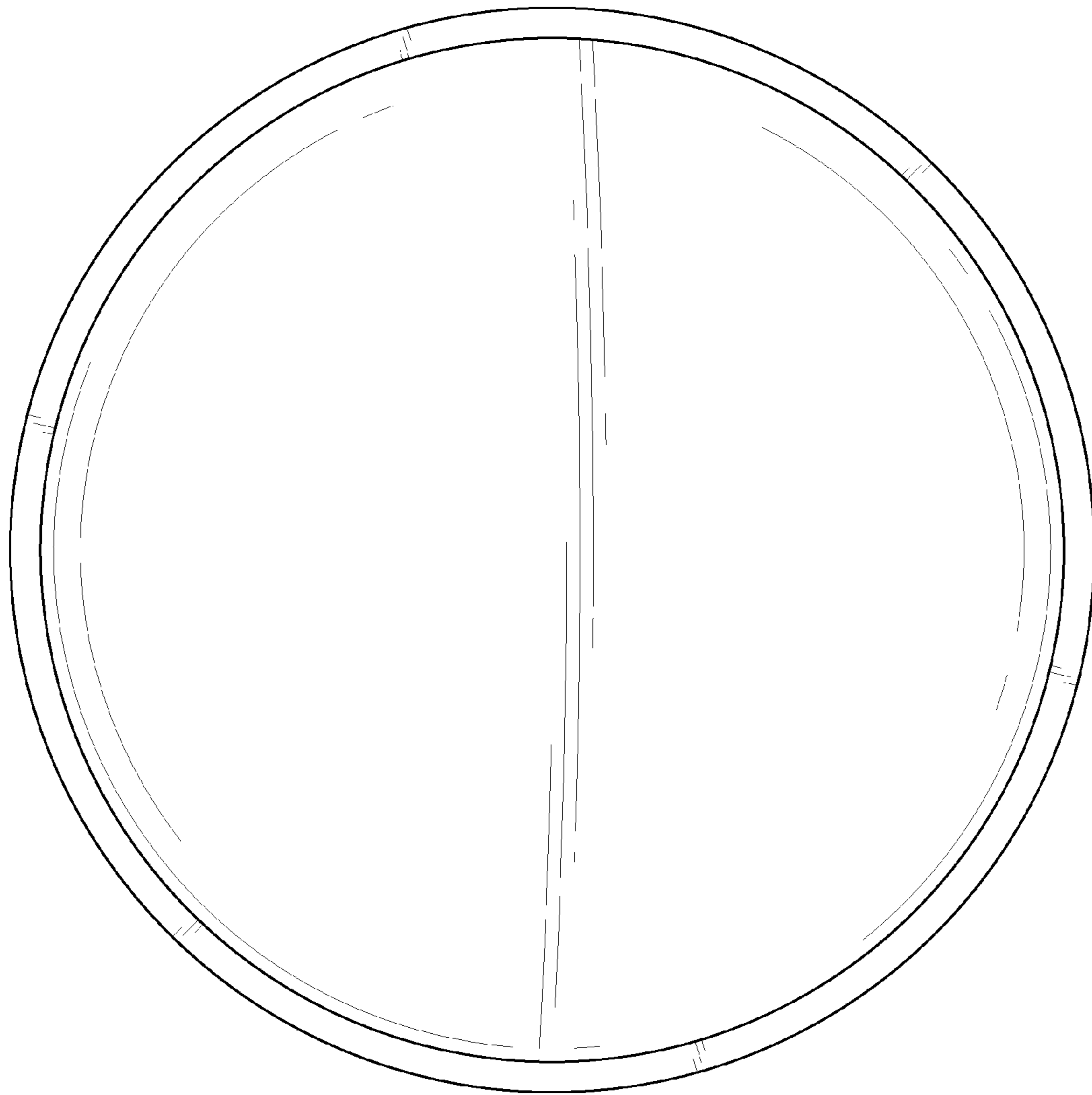


FIG.7

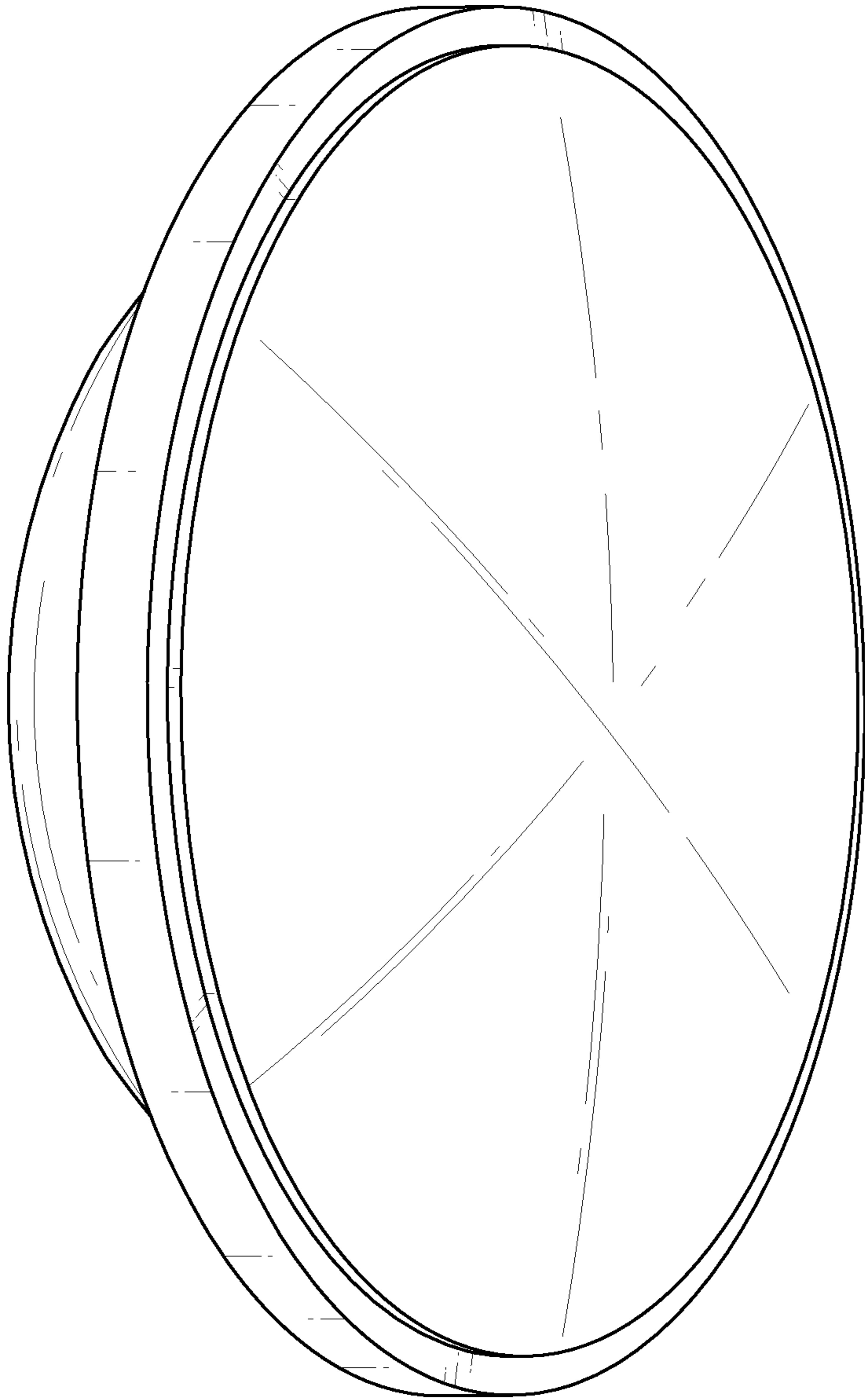


FIG.8

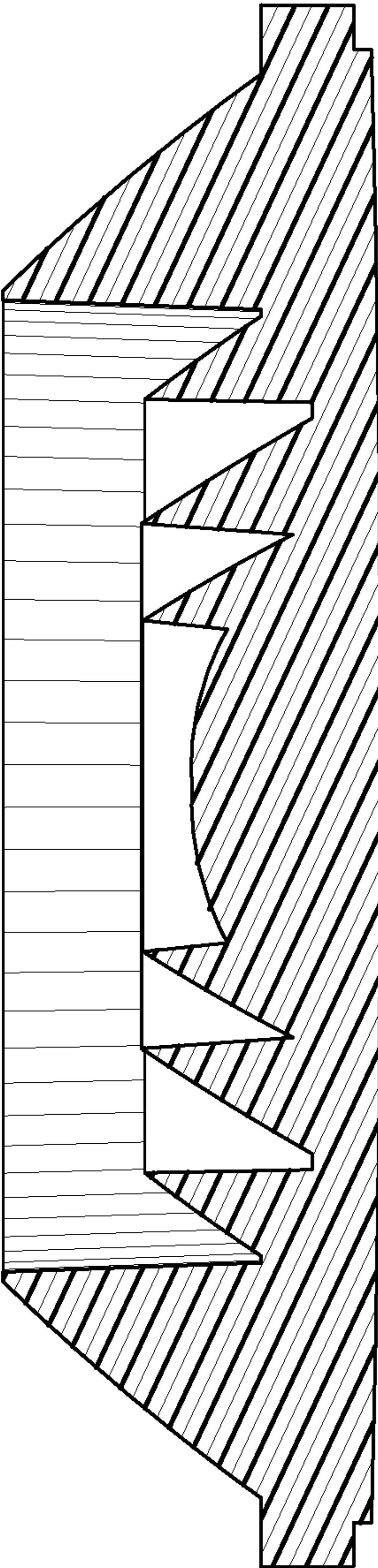


FIG.9