



US00D771171S

(12) **United States Design Patent** (10) **Patent No.:** **US D771,171 S**
Davis et al. (45) **Date of Patent:** **** Nov. 8, 2016**

(54) **RETICLE FOR AN OPTICAL DEVICE**

Primary Examiner — Susan Bennetthattan

(71) Applicant: **Leupold & Stevens, Inc.**, Beaverton, OR (US)

Assistant Examiner — Jennifer Wright

(74) *Attorney, Agent, or Firm* — Stoel Rives LLP; Robert R. Teel

(72) Inventors: **Matthew C. Davis**, Aloha, OR (US); **Timothy John Lesser**, Sherwood, OR (US); **Shane Arthur Meisel**, Portland, OR (US)

(73) Assignee: **Leupold & Stevens, Inc.**, Beaverton, OR (US)

(**) Term: **14 Years**

(21) Appl. No.: **29/507,088**

(22) Filed: **Oct. 23, 2014**

(51) **LOC (10) Cl.** **16-06**

(52) **U.S. Cl.**
USPC **D16/134; D16/136**

(58) **Field of Classification Search**
USPC D16/130–136; D22/100, 108, 109, 110, D22/199; 33/297, 298, 227, 299; 42/111, 42/112, 113, 122, 130, 134–145, 124; 225/414; 356/29, 139, 2, 250, 251, 356/252, 138; 89/41, 19, 161, 200–204; 350/550; 250/467.1; 359/428, 424
CPC F41G 3/08
See application file for complete search history.

(56) **References Cited**

U.S. PATENT DOCUMENTS

2,171,571 A * 9/1939 Karnes G02B 27/34
42/123
D567,324 S * 4/2008 Pride D22/109

(Continued)

FOREIGN PATENT DOCUMENTS

WO WO 2013/106280 7/2013

OTHER PUBLICATIONS

Horus Vision LLC, “H32™ Reticle, Technical Data Sheet,” archived at <http://web.archive.org/web/20131008071823/http://horuvision.com/reticles.php>, as early as Oct. 8, 2013.

(Continued)

(57) **CLAIM**

We claim the ornamental design for a reticle for an optical device, as shown and described.

DESCRIPTION

FIG. 1 is a view of a reticle for an optical device, according to a first embodiment.

FIG. 2 is a view of a reticle for an optical device, according to a second embodiment.

FIG. 3 is an enlarged detail view of the reticle of FIG. 2.

FIG. 4 is an enlarged detail view of a reticle for an optical device, according to a third embodiment.

FIG. 5 is an enlarged detail view of a reticle for an optical device, according to a fourth embodiment.

FIG. 6 is an enlarged detail view of a reticle for an optical device, according to a fifth embodiment.

FIG. 7 is an enlarged detail view of a reticle for an optical device, according to a sixth embodiment; and,

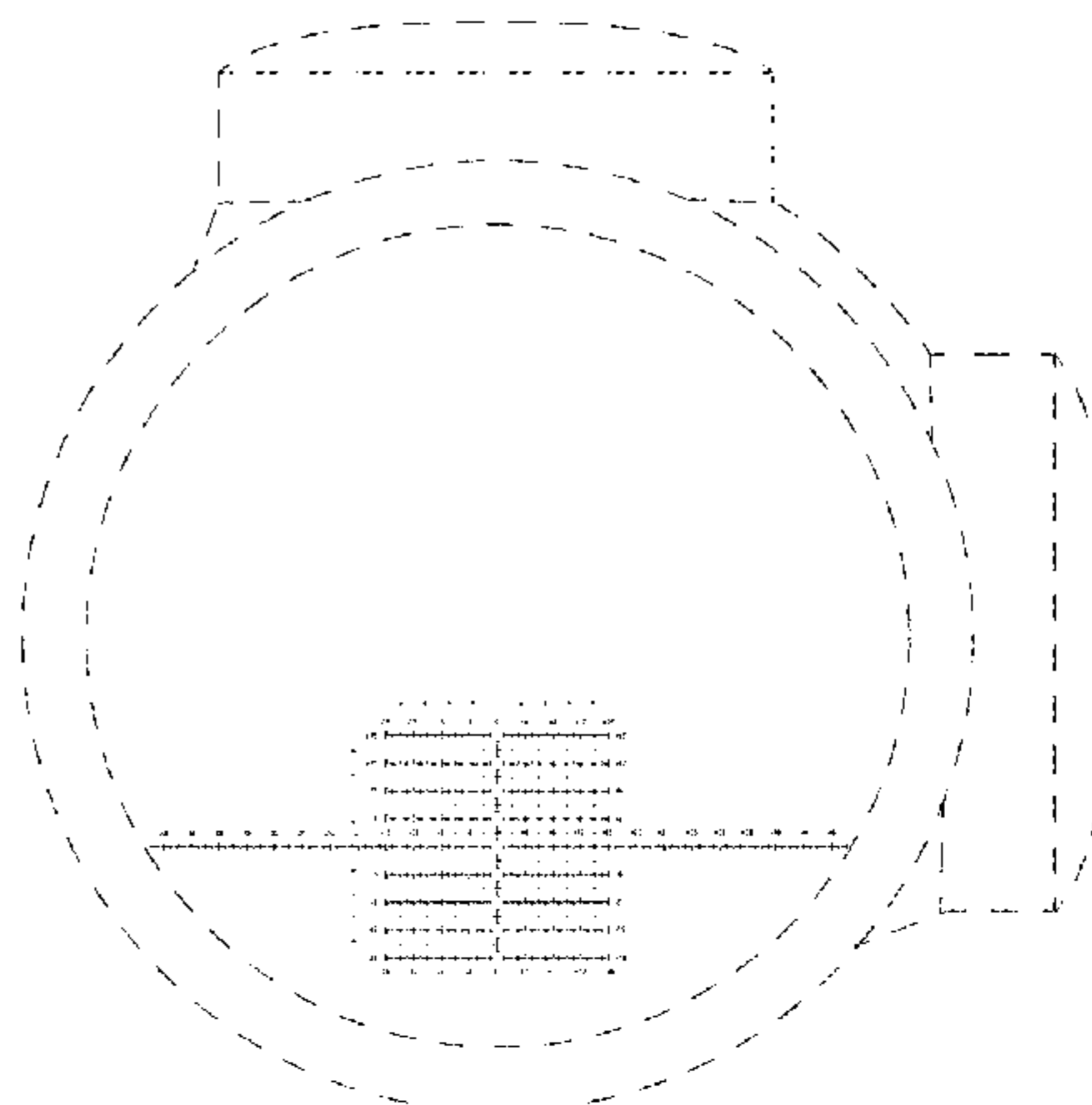
FIG. 8 is an isometric view of an environment of use for any of the aforementioned embodiments.

Additional embodiments of the claimed design are: a mirror-reversal of the reticle of FIG. 4 across a vertical axis, a mirror-reversal of the reticle of FIG. 4 across a horizontal axis, a 180 degree rotation of the reticle of FIG. 4, a mirror-reversal of the reticle of FIG. 6 across a vertical axis, a mirror-reversal of the reticle of FIG. 6 across a horizontal axis, and a 180 degree rotation of the reticle of FIG. 6.

The reticle patterns of FIGS. 1-3 are identical except for the vertical offset of the pattern in the embodiment of FIG. 1. In FIGS. 1-8, the dashed lines indicate environmental features that form no part of the claimed invention.

In FIG. 2, the broken lines indicating the area of the detail view of FIG. 3 form no part of the claimed invention.

1 Claim, 7 Drawing Sheets



(56)

References Cited

U.S. PATENT DOCUMENTS

D567,896 S * 4/2008 Pride D22/109
 D613,363 S * 4/2010 Huber D22/109
 7,856,750 B2 * 12/2010 Sammut F41G 1/38
 42/122
 D631,125 S * 1/2011 Huber D22/109
 D651,682 S * 1/2012 Beckett D22/109
 8,230,635 B2 7/2012 Sammut et al.
 D683,418 S * 5/2013 Beckett D22/109
 D684,653 S * 6/2013 Smith D22/109
 D704,295 S 5/2014 Hodge et al.
 D715,395 S * 10/2014 Young D22/109
 8,910,412 B2 * 12/2014 Mikroulis F41G 1/473
 42/122
 D722,360 S * 2/2015 Pride D22/109
 9,068,799 B1 * 6/2015 Wu F41G 1/38
 D755,269 S * 5/2016 Pride D16/130
 2002/0124452 A1 * 9/2002 Sammut F41G 1/38
 42/122
 2003/0046821 A1 * 3/2003 Horie G03F 7/70616
 33/297

2005/0188601 A1 * 9/2005 Verdugo F41G 1/345
 42/130
 2006/0026887 A1 * 2/2006 Verdugo F41G 1/345
 42/130
 2007/0022651 A1 * 2/2007 Verdugo F41G 1/38
 42/130
 2007/0044364 A1 * 3/2007 Sammut F41G 1/473
 42/122
 2009/0235570 A1 * 9/2009 Sammut F41G 1/473
 42/122
 2011/0132983 A1 * 6/2011 Sammut F41G 1/38
 235/404
 2012/0137567 A1 6/2012 Sammut
 2014/0166751 A1 * 6/2014 Sammut F41G 1/38
 235/404
 2015/0253107 A1 * 9/2015 Hamilton F41G 1/383
 42/111

OTHER PUBLICATIONS

Horus Vision LLC, "H36™ Reticle, Technical Data Sheet," archived at <http://web.archive.org/web/20131008071823/http://horuvision.com/reticles.php>, as early as Oct. 8, 2013.

* cited by examiner

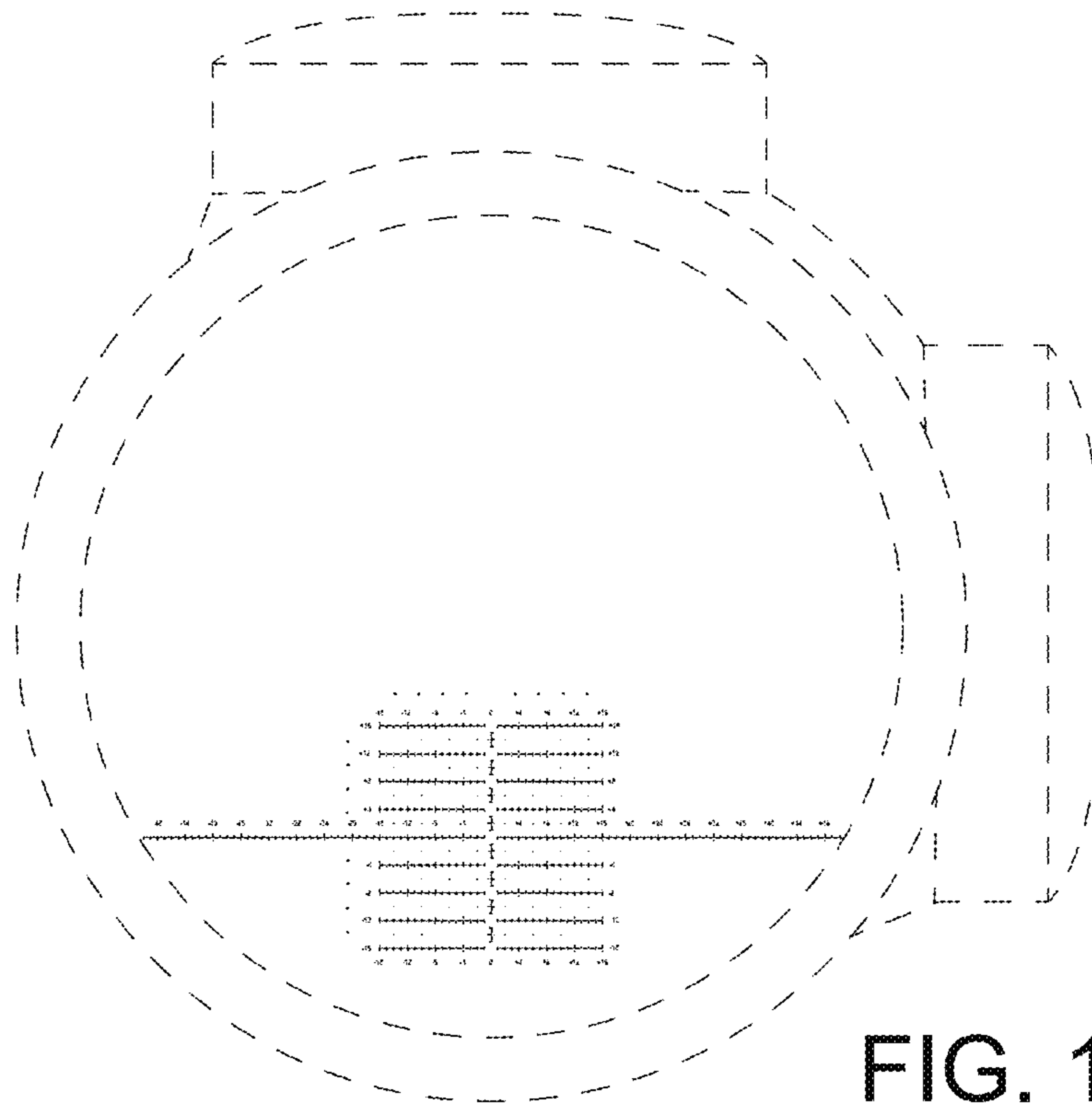


FIG. 1

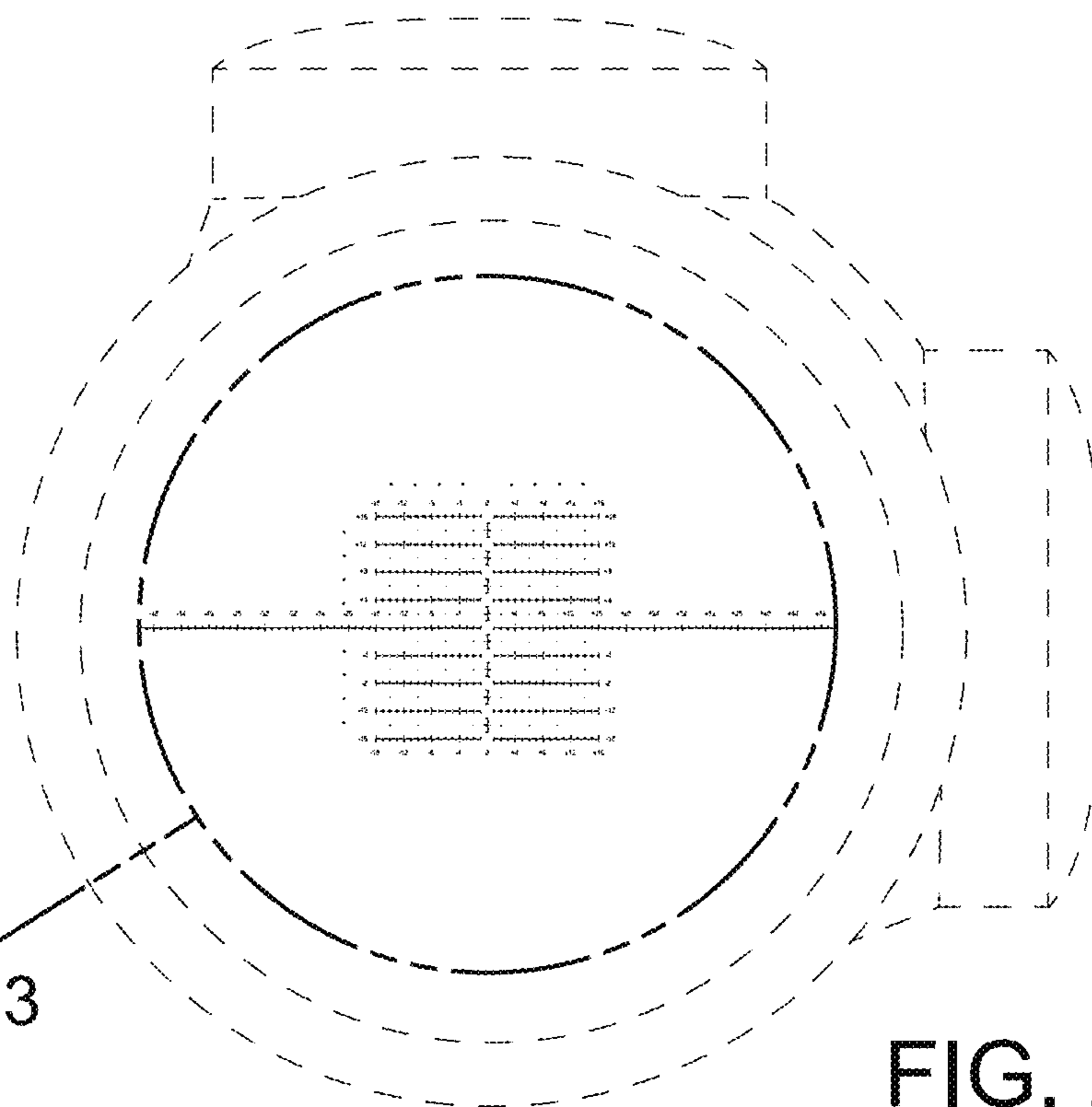


FIG. 2

FIG. 3

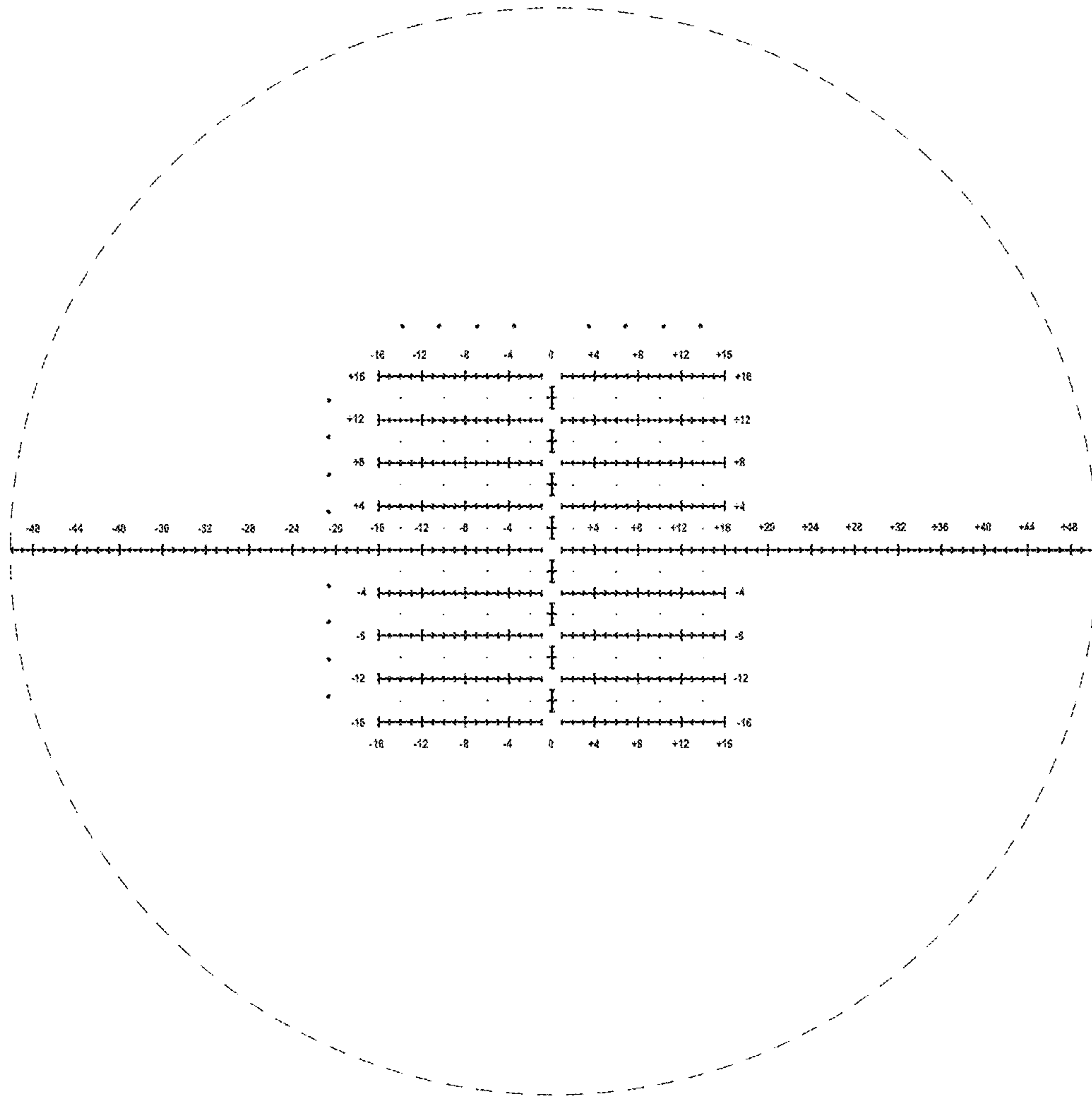


FIG. 3

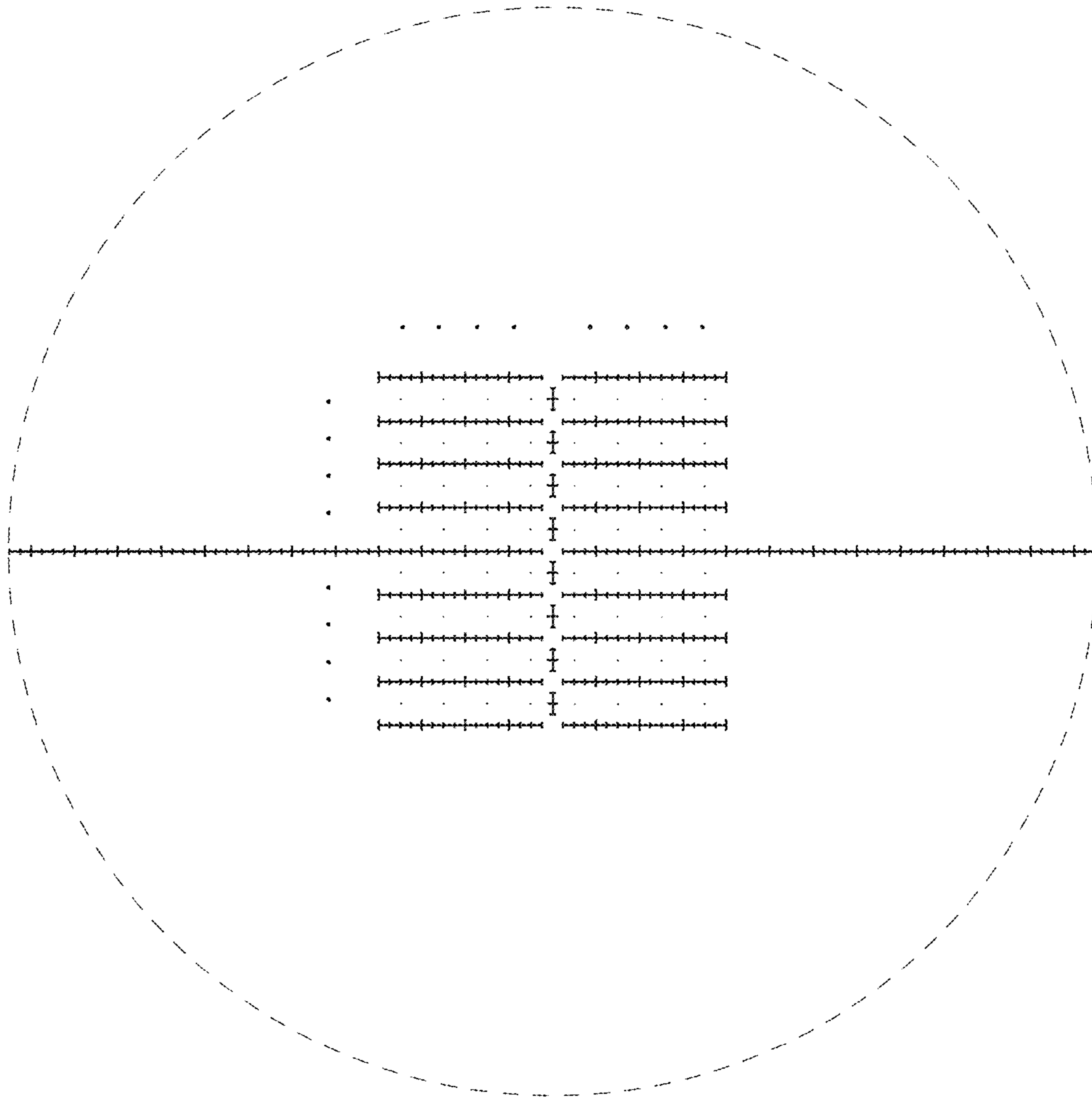


FIG. 4

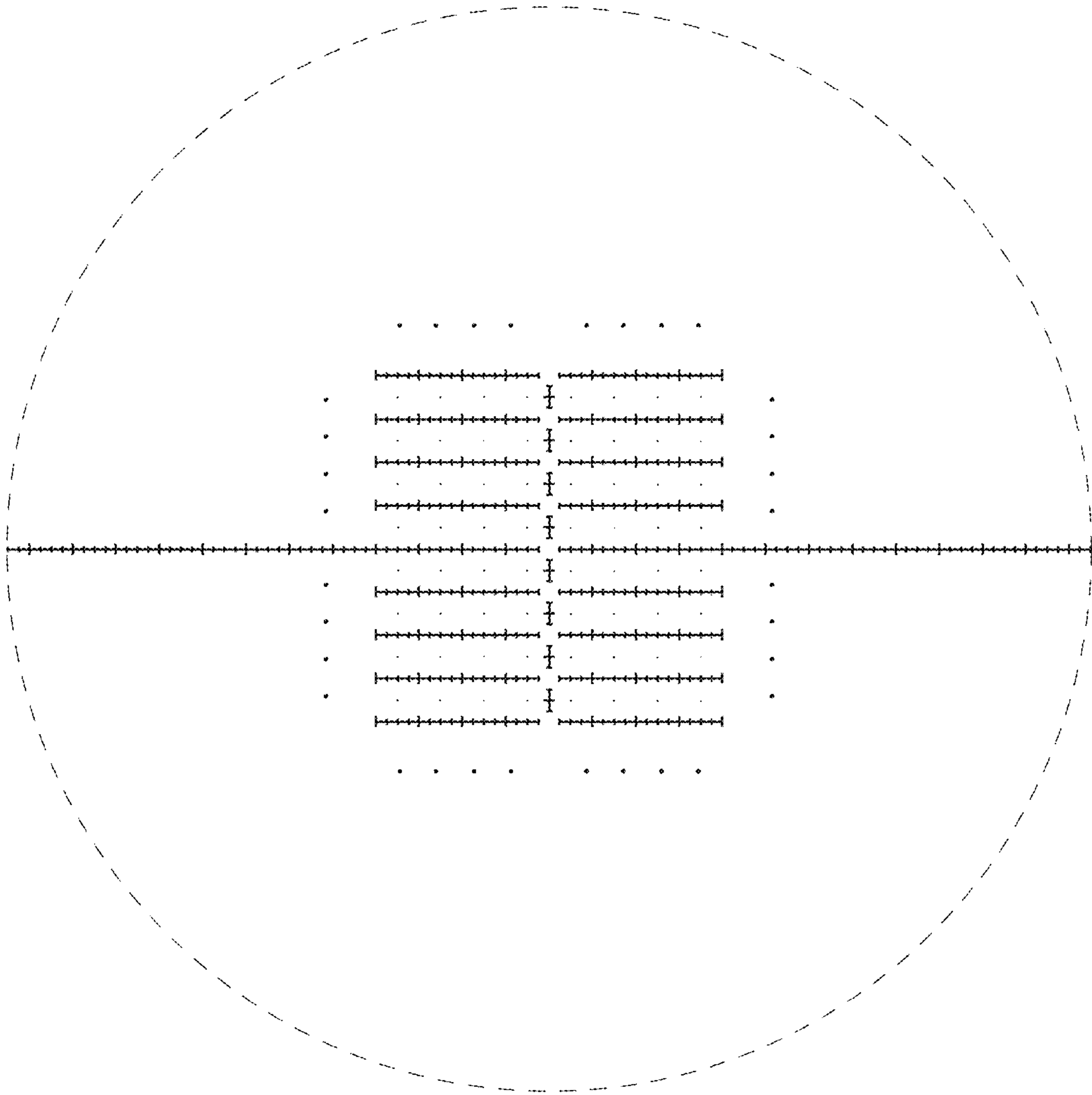


FIG. 5

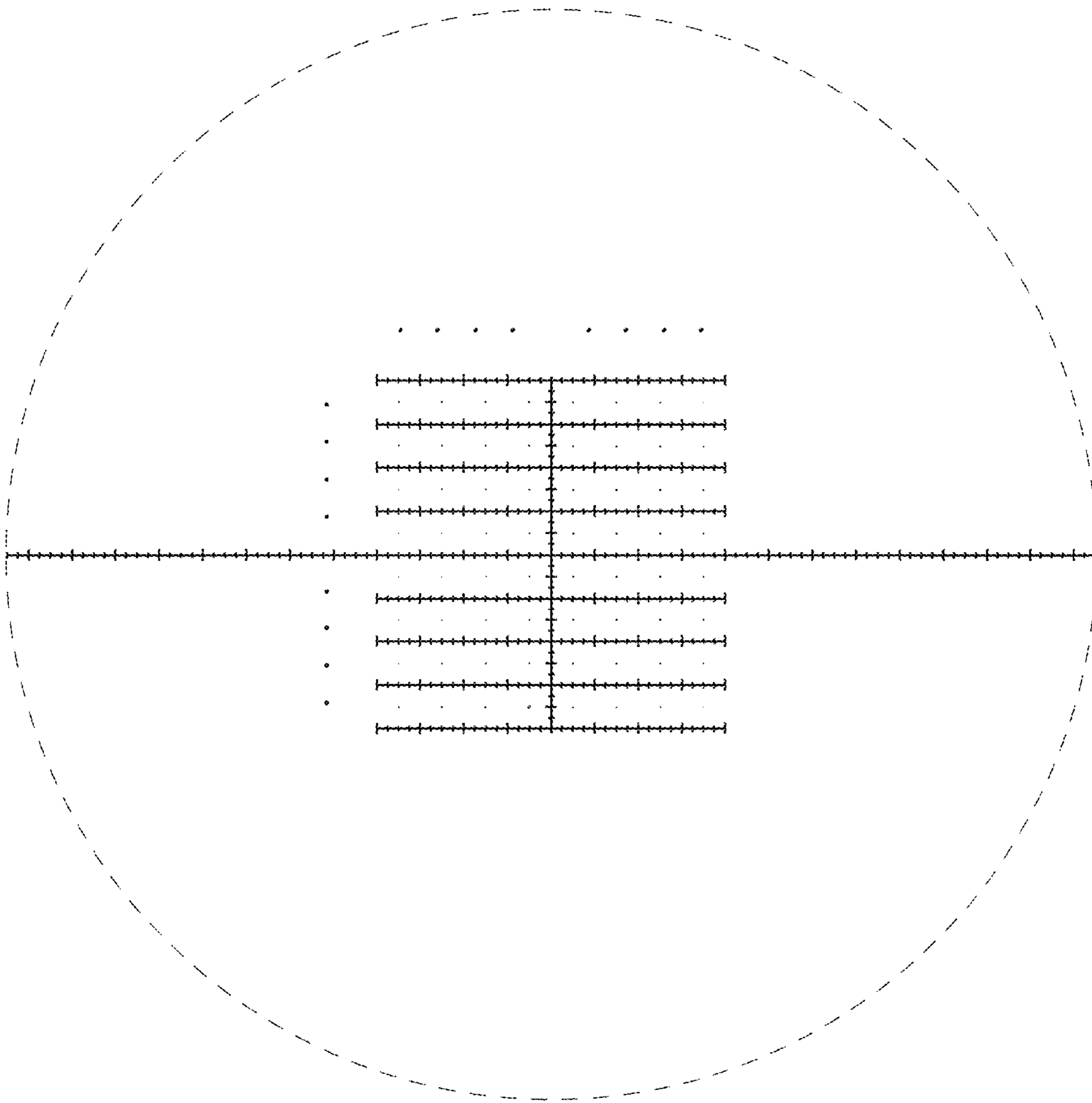


FIG. 6

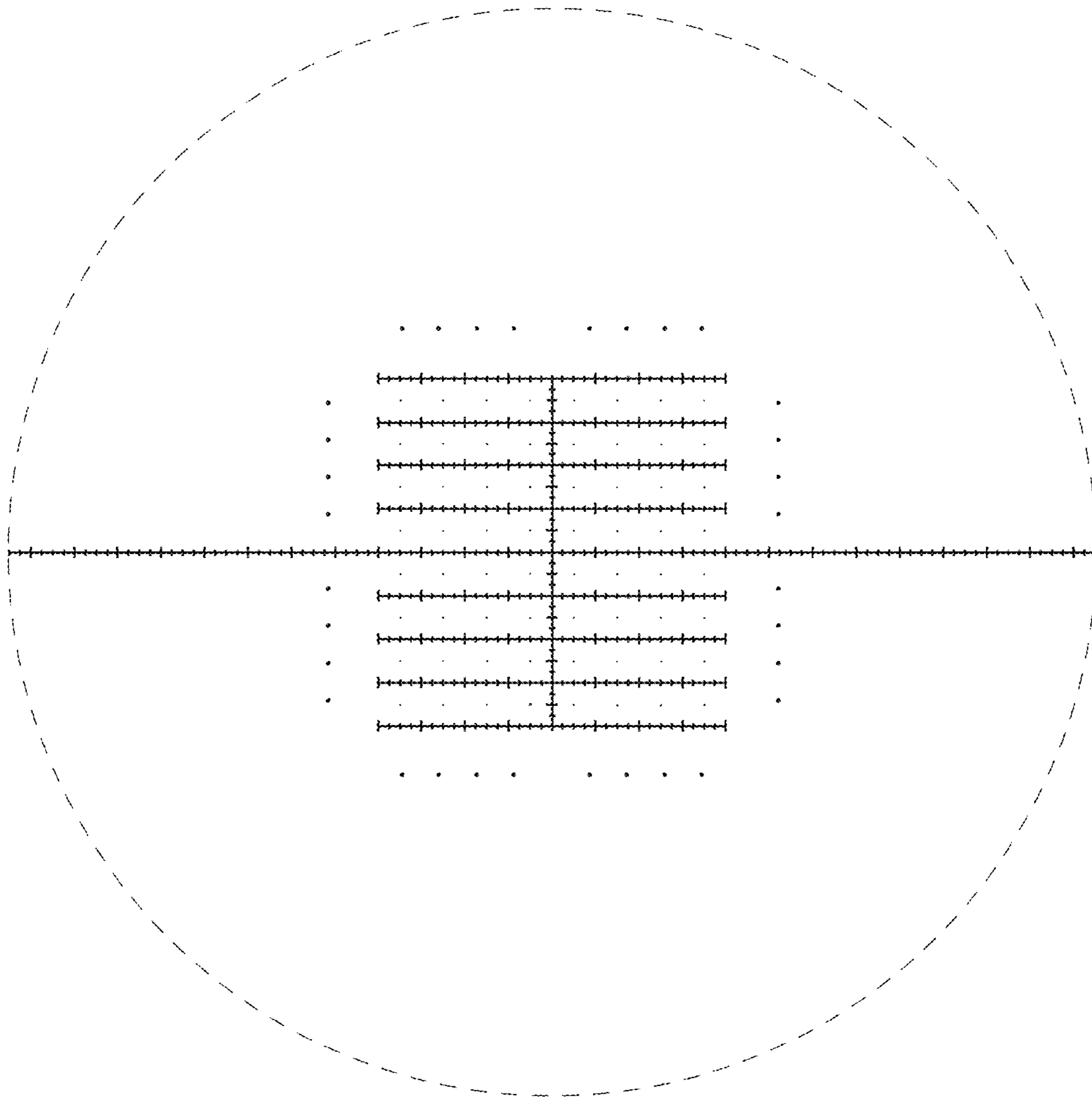


FIG. 7

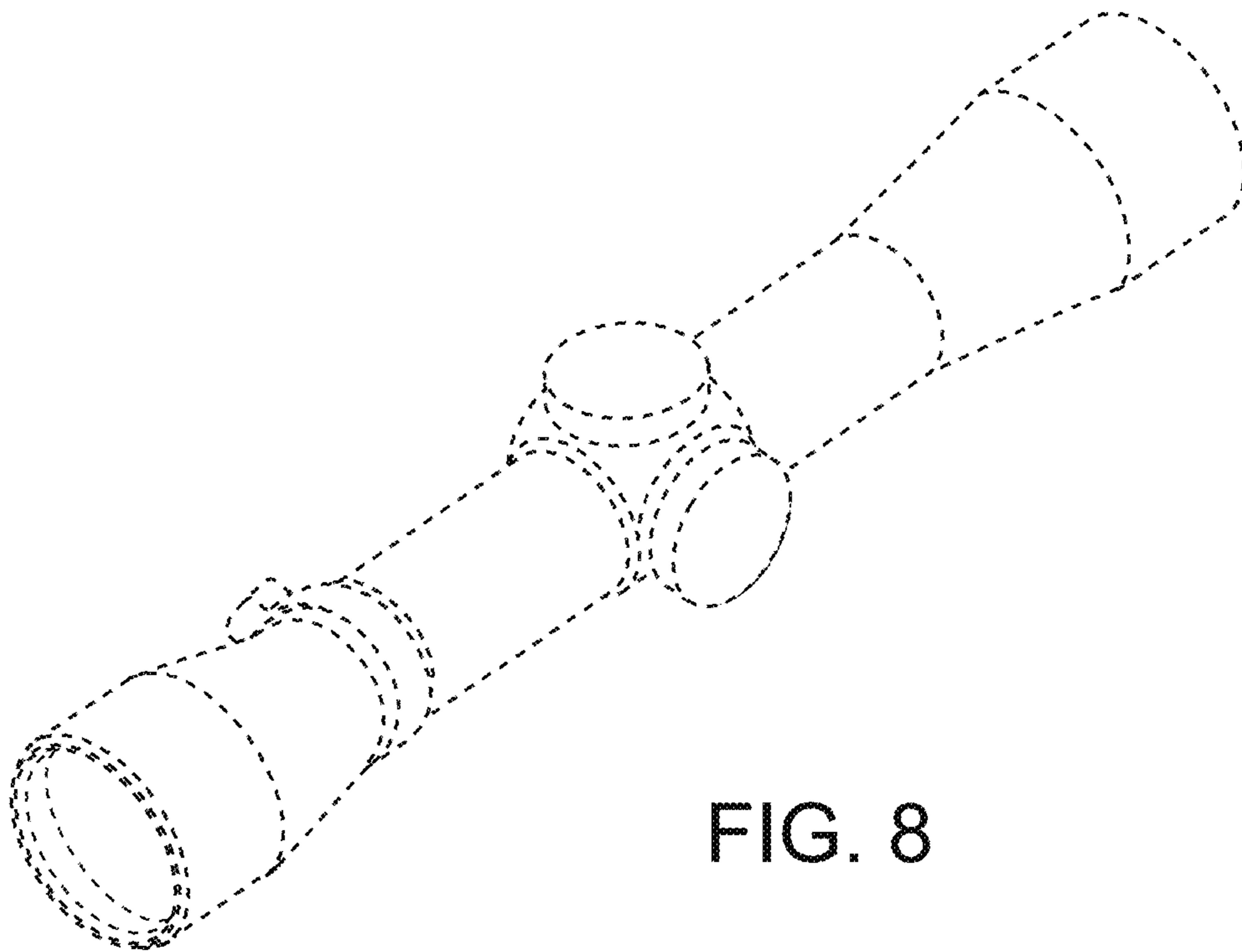


FIG. 8