



US00D771169S

(12) **United States Design Patent** (10) **Patent No.:** **US D771,169 S**
Weber (45) **Date of Patent:** **** *Nov. 8, 2016**

(54) **MICROSCOPE** D465,799 S * 11/2002 Asaka D16/131
D477,008 S * 7/2003 Asaka D16/131
(71) Applicant: **Carl Zeiss Microscopy GmbH, Jena** D601,178 S * 9/2009 Apotheloz D16/131
(DE) D680,568 S * 4/2013 Funakoshi D16/131
(72) Inventor: **Peter Weber, Altensteig (DE)** D681,088 S * 4/2013 Funakoshi D16/131
D690,342 S * 9/2013 Funakoshi D16/131
2008/0151368 A1 * 6/2008 Weiss G02B 21/06
359/390
(73) Assignee: **Carl Zeiss Microscopy GmbH, Jena** 2011/0075255 A1 * 3/2011 Kennedy G02B 21/0076
(DE) 359/385

(*) Notice: This patent is subject to a terminal disclaimer.
(**) Term: **14 Years**
(21) Appl. No.: **29/492,818**
(22) Filed: **Jun. 3, 2014**

(30) **Foreign Application Priority Data**
Dec. 3, 2013 (DE) 40 2013 200 189
(51) **LOC (10) Cl.** **16-01**
(52) **U.S. Cl.**
USPC **D16/131**
(58) **Field of Classification Search**
USPC D16/130, 131; 340/635, 815.4, 815.42,
340/815.45; 353/39; 356/372.2; 359/363,
359/368, 369, 372, 375-378, 381-383, 385,
359/386, 388-390, 801, 821, 824
CPC ... G02B 21/0004; G02B 21/22; G02B 21/24
See application file for complete search history.

(56) **References Cited**
U.S. PATENT DOCUMENTS
D354,761 S * 1/1995 Komatsuzaki D16/131
D420,028 S * 2/2000 Wani D16/131
D440,996 S * 4/2001 Takanashi D16/131

OTHER PUBLICATIONS
<http://www.luxoptic.be/> Available Nov. 8, 2014.*
http://www.zeiss.com/microscopy/en_de/products/imaging-systems/smartzoom-5.html Available Apr. 25, 2015.*
<http://www.azooptics.com/News.aspx?newsID=19238> Posted Jun. 2, 2014.*

* cited by examiner
Primary Examiner — Susan Bennett Hattan
Assistant Examiner — Leanne Was
(74) *Attorney, Agent, or Firm* — Nixon Peabody LLP;
Jeffrey L. Costellia

(57) **CLAIM**
The ornamental design for microscope, as shown.

DESCRIPTION
FIG. 1 is a top left perspective view of microscope;
FIG. 2 is a top right perspective view of microscope;
FIG. 3 is a left view of microscope;
FIG. 4 is a front view of microscope;
FIG. 5 is a right view of microscope; and,
FIG. 6 is a back view of microscope.
The broken lines depict portions of the microscope that form no part of the claimed design.

1 Claim, 6 Drawing Sheets

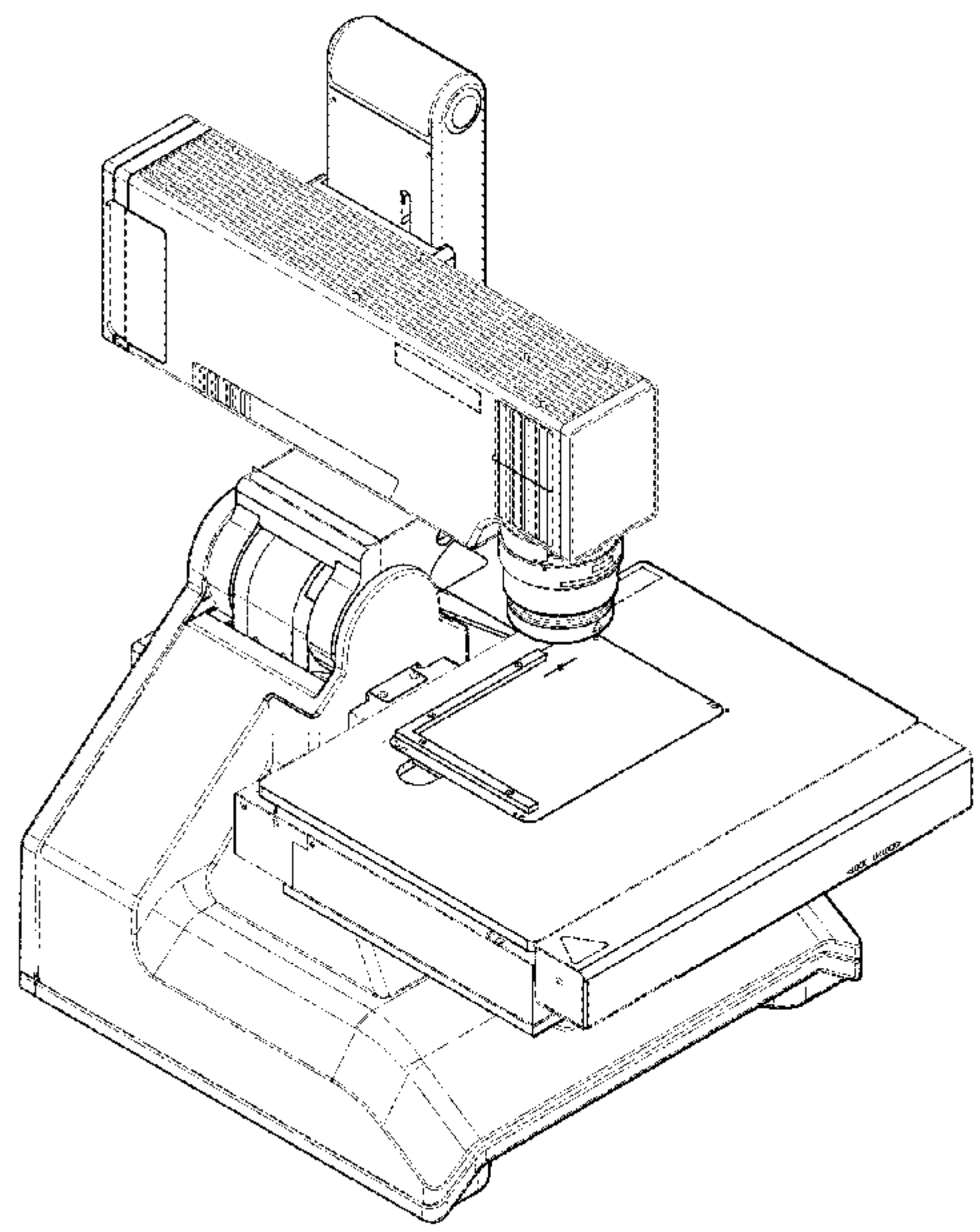


FIG. 1

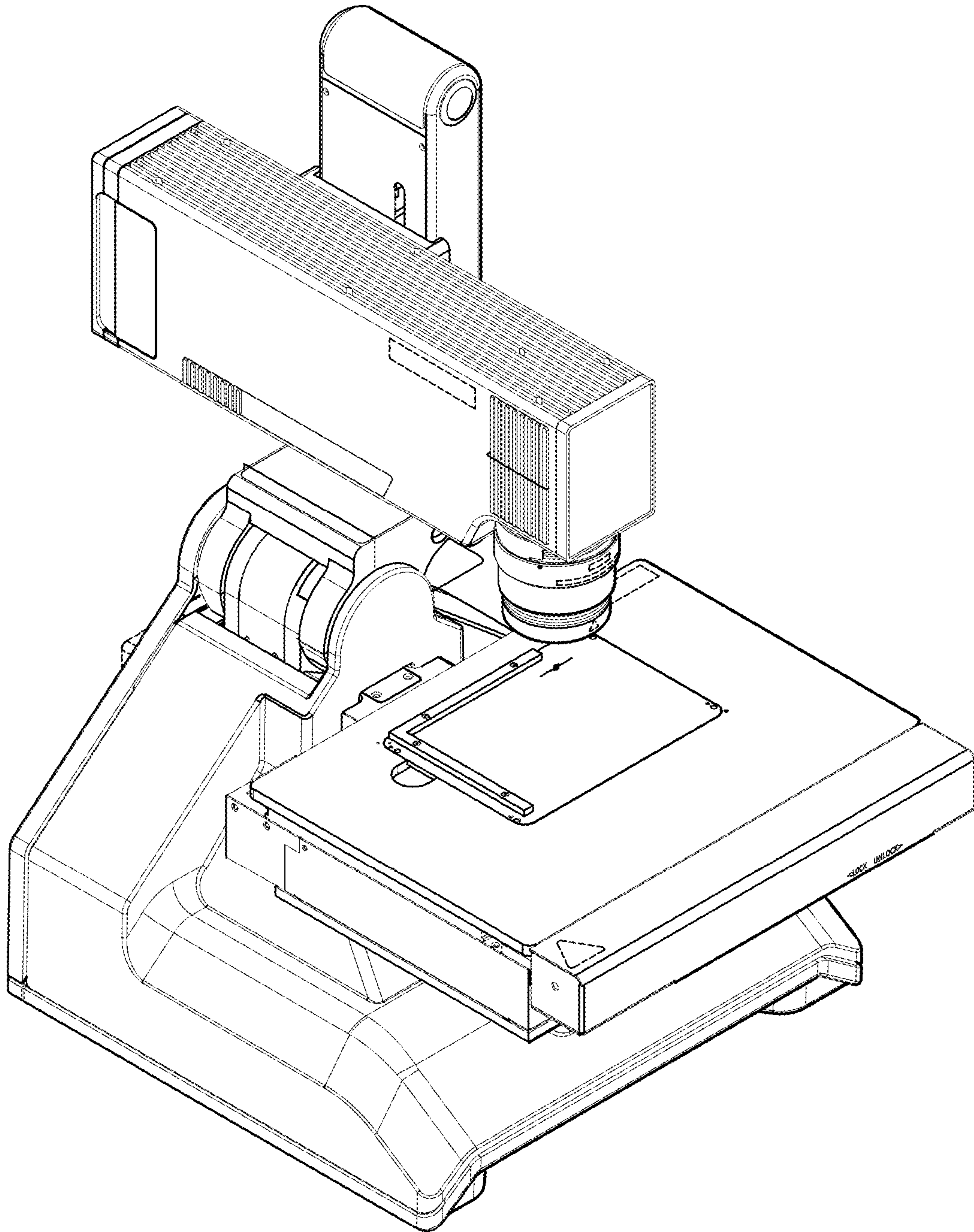


FIG. 2

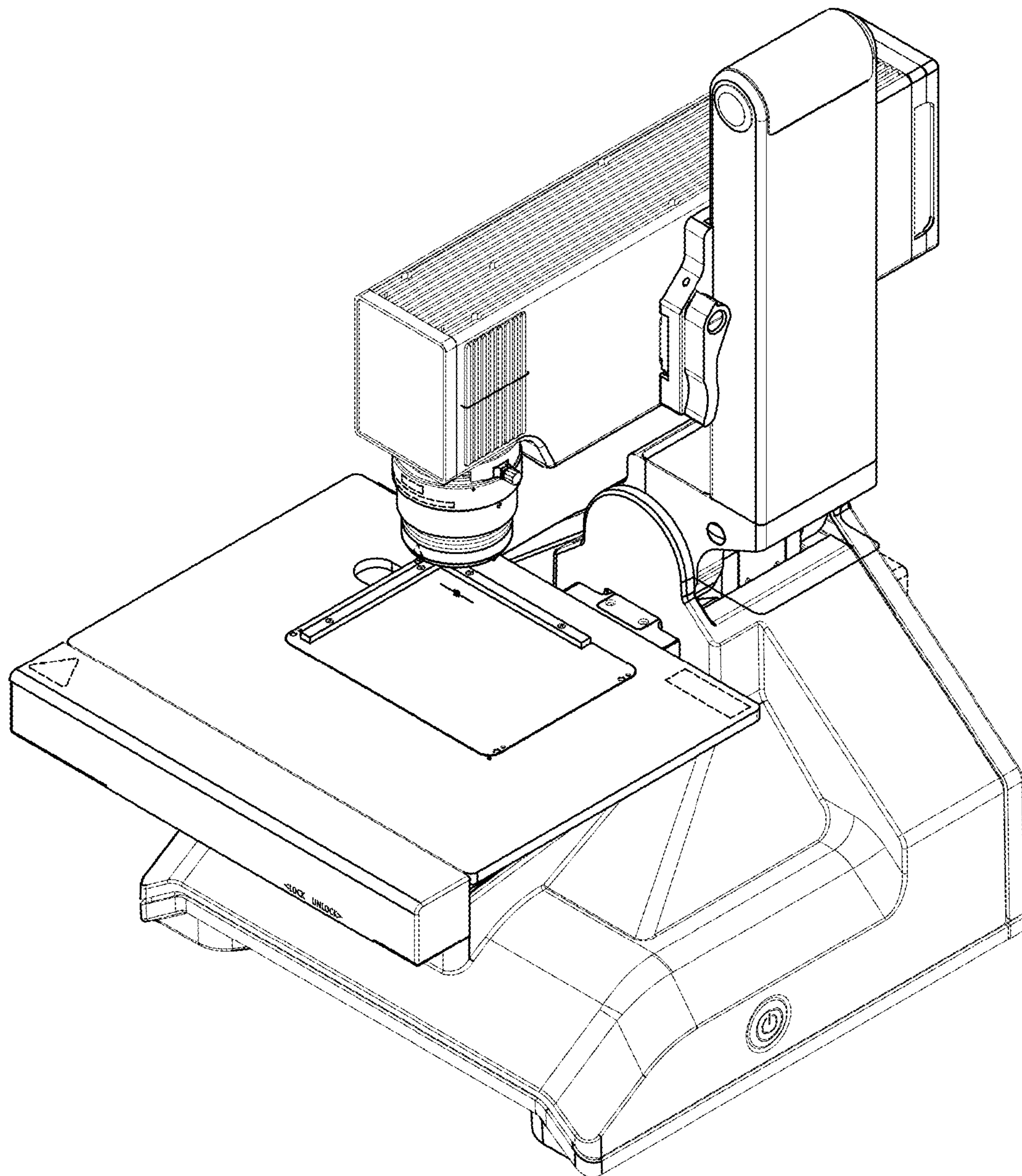


FIG. 3

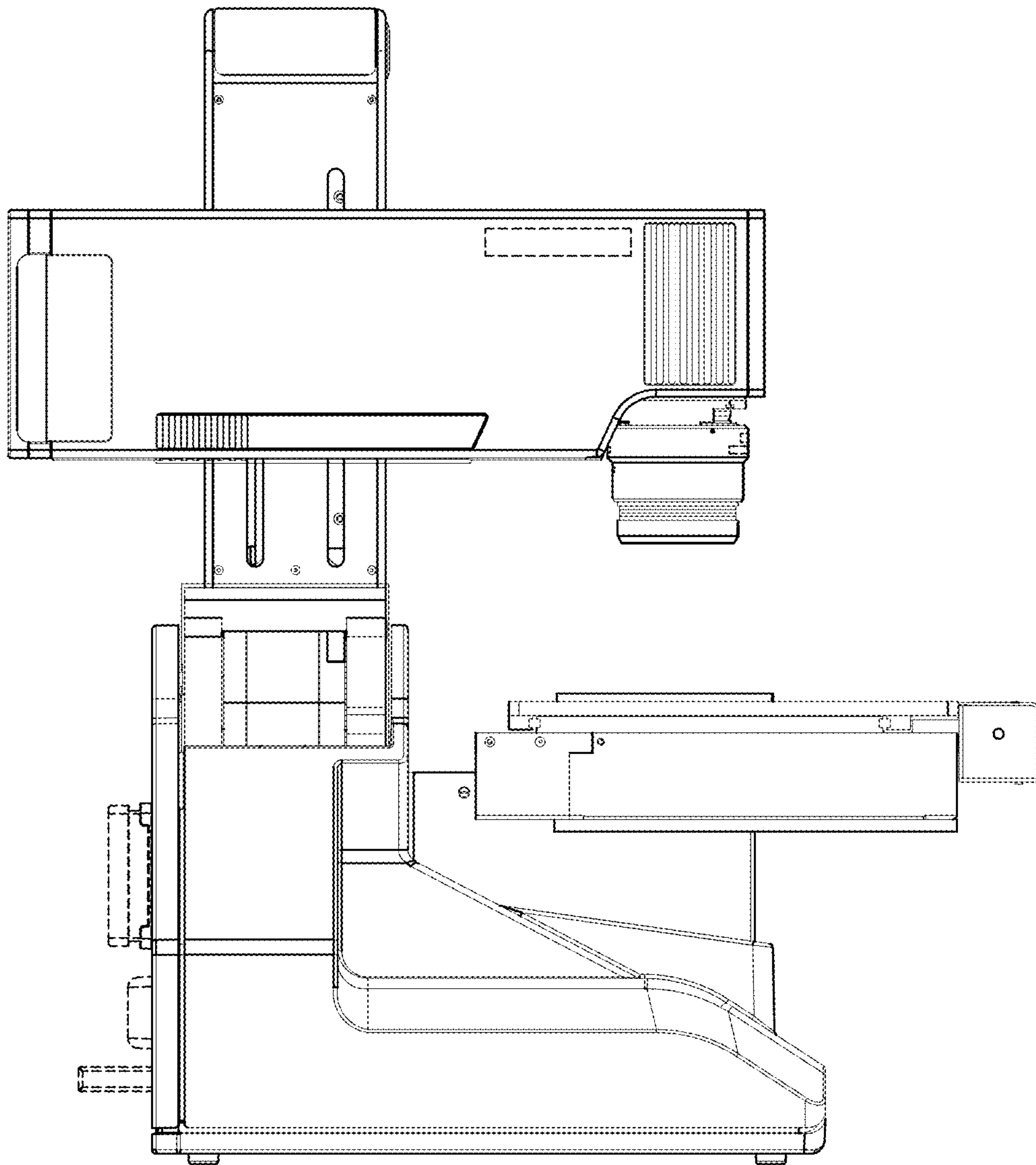


FIG. 4

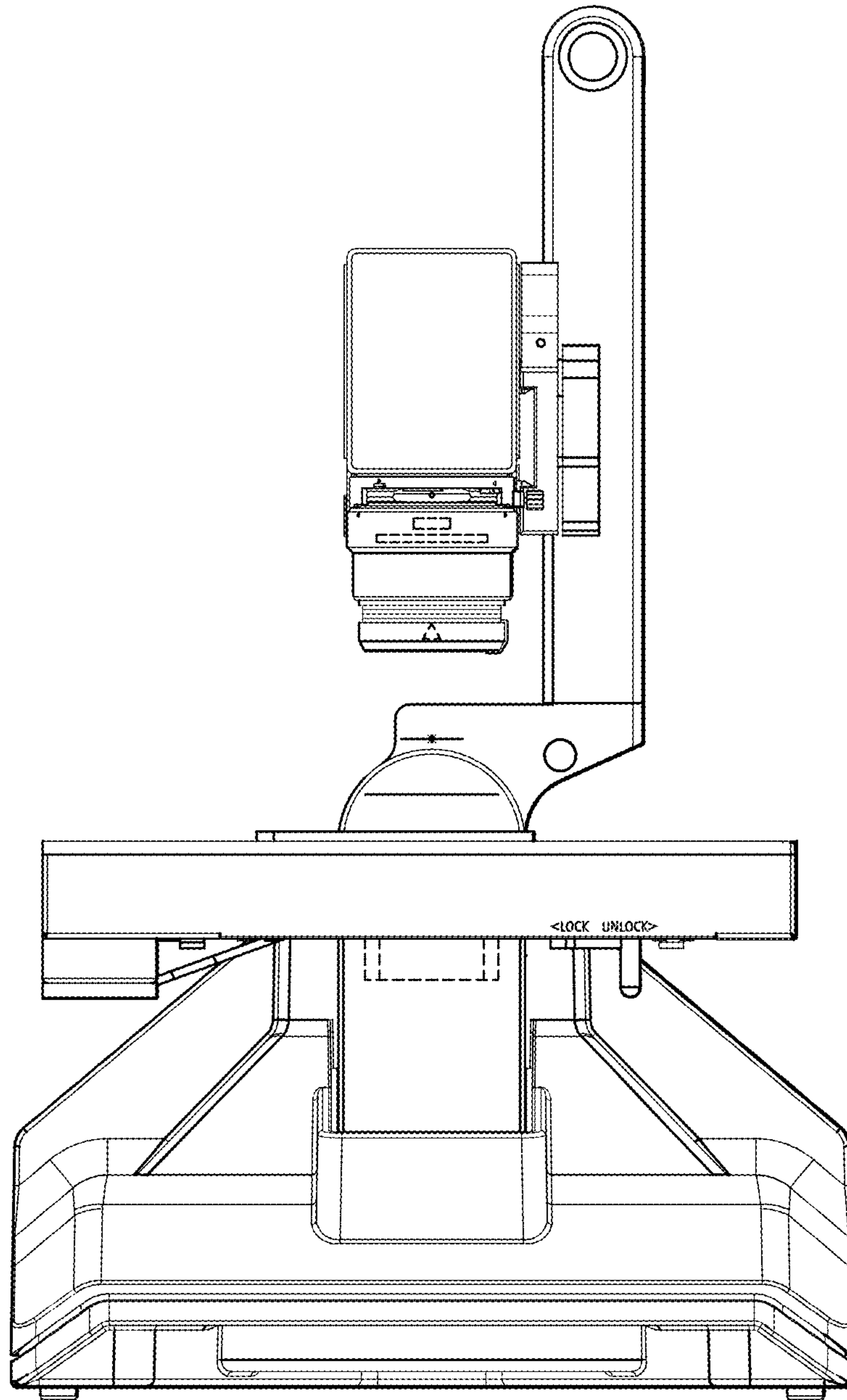


FIG. 5

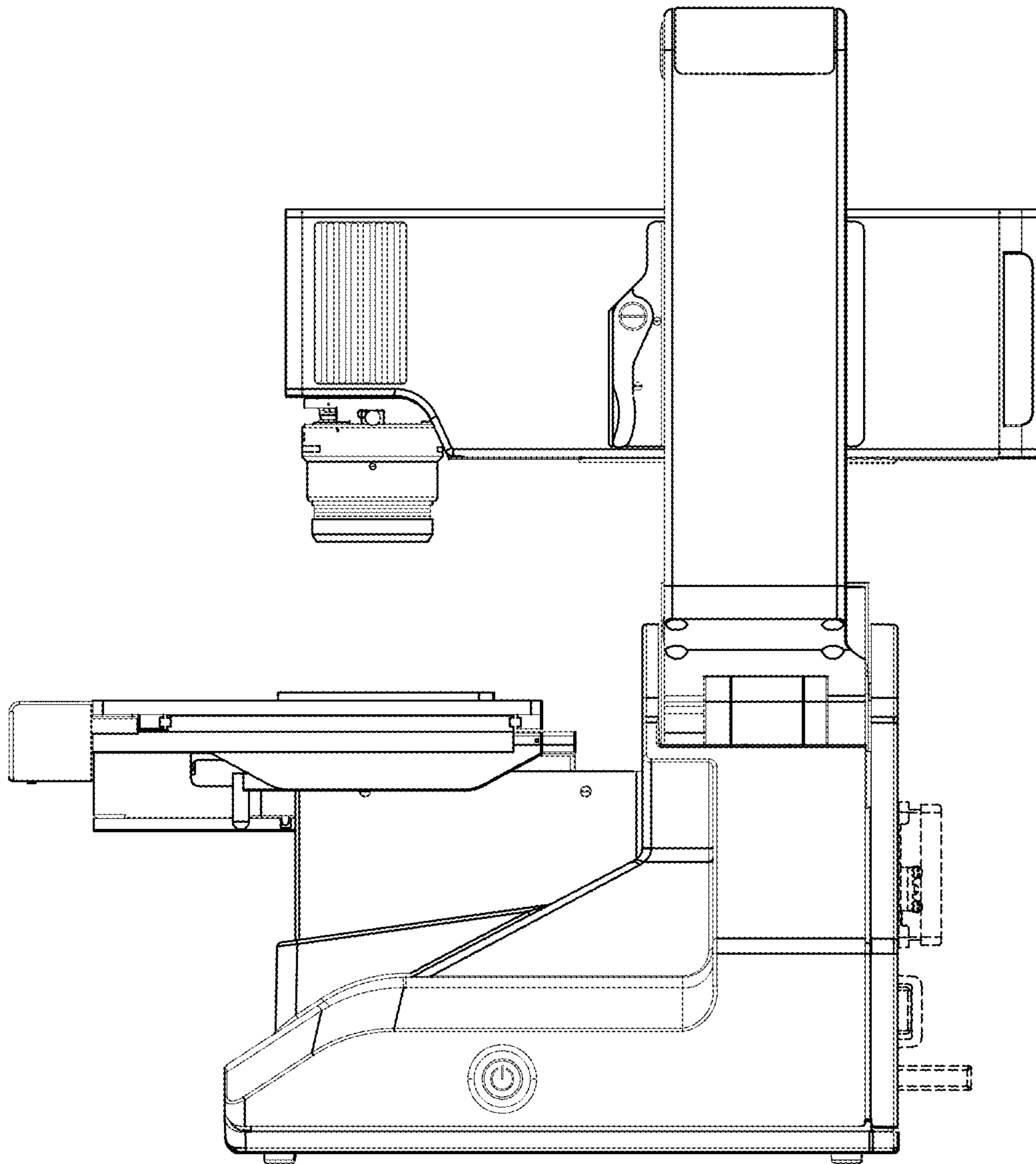


FIG. 6

