



US00D771167S

(12) **United States Design Patent**
Fukaya et al.

(10) **Patent No.:** **US D771,167 S**

(45) **Date of Patent:** **** Nov. 8, 2016**

(54) **CRUCIBLE**

(71) Applicant: **A.L.M.T. Corp.**, Tokyo (JP)

(72) Inventors: **Yoshitake Fukaya**, Toyama (JP);
Masahiro Kato, Toyama (JP); **Makoto Watanabe**, Toyama (JP); **Kiyohide Sasaki**, Tokyo (JP)

(73) Assignee: **A.L.M.T. CORP.**, Tokyo (JP)

(**) Term: **14 Years**

(21) Appl. No.: **29/468,973**

(22) Filed: **Oct. 4, 2013**

(30) **Foreign Application Priority Data**

Aug. 21, 2013 (JP) 2013-019097
Aug. 29, 2013 (JP) 2013-019888
Sep. 4, 2013 (JP) 2013-020426
Sep. 4, 2013 (JP) 2013-020427
Sep. 4, 2013 (JP) 2013-020428

(51) **LOC (10) Cl.** **15-09**

(52) **U.S. Cl.**
USPC **D15/144**

(58) **Field of Classification Search**
USPC D15/135, 136, 137, 144, 144.1, 144.2
See application file for complete search history.

(56) **References Cited**

U.S. PATENT DOCUMENTS

1,081,535 A * 12/1913 Jeppson C04B 41/009
422/422
D53,484 S * 7/1919 Brile 428/579
1,381,171 A * 6/1921 Darrah B28B 1/26
264/86
1,518,818 A * 12/1924 Rietz F27B 14/10
422/530
2,195,436 A * 4/1940 Weller B01L 3/04
422/552
D142,792 S * 11/1945 Ripich D15/135
D185,475 S * 6/1959 Weller D24/220

D215,448 S * 10/1969 Knowles D15/144.2
3,796,552 A * 3/1974 Robinson C01F 17/0006
117/223
D231,834 S * 6/1974 Gulrich D15/144

(Continued)

FOREIGN PATENT DOCUMENTS

CN 102304751 A 1/2012
CN 102719898 A 10/2012

(Continued)

Primary Examiner — Patricia Palasik

(74) *Attorney, Agent, or Firm* — Birch, Stewart, Kolasch & Birch, LLP

(57) **CLAIM**

The ornamental design for a crucible, as shown.

DESCRIPTION

FIG. 1 is a front view of the first embodiment of a crucible showing our design;

FIG. 2 is a rear view thereof;

FIG. 3 is a top plan view thereof;

FIG. 4 is a bottom plan view thereof;

FIG. 5 is a right side view thereof;

FIG. 6 is a left side view thereof;

FIG. 7 is a cross-sectional view taken along line 7-7 of FIG. 3;

FIG. 8 is a perspective view thereof;

FIG. 9 is a front view of the second embodiment of a crucible showing our design;

FIG. 10 is a rear view thereof;

FIG. 11 is a top plan view thereof;

FIG. 12 is a bottom plan view thereof;

FIG. 13 is a right side view thereof;

FIG. 14 is a left side view thereof;

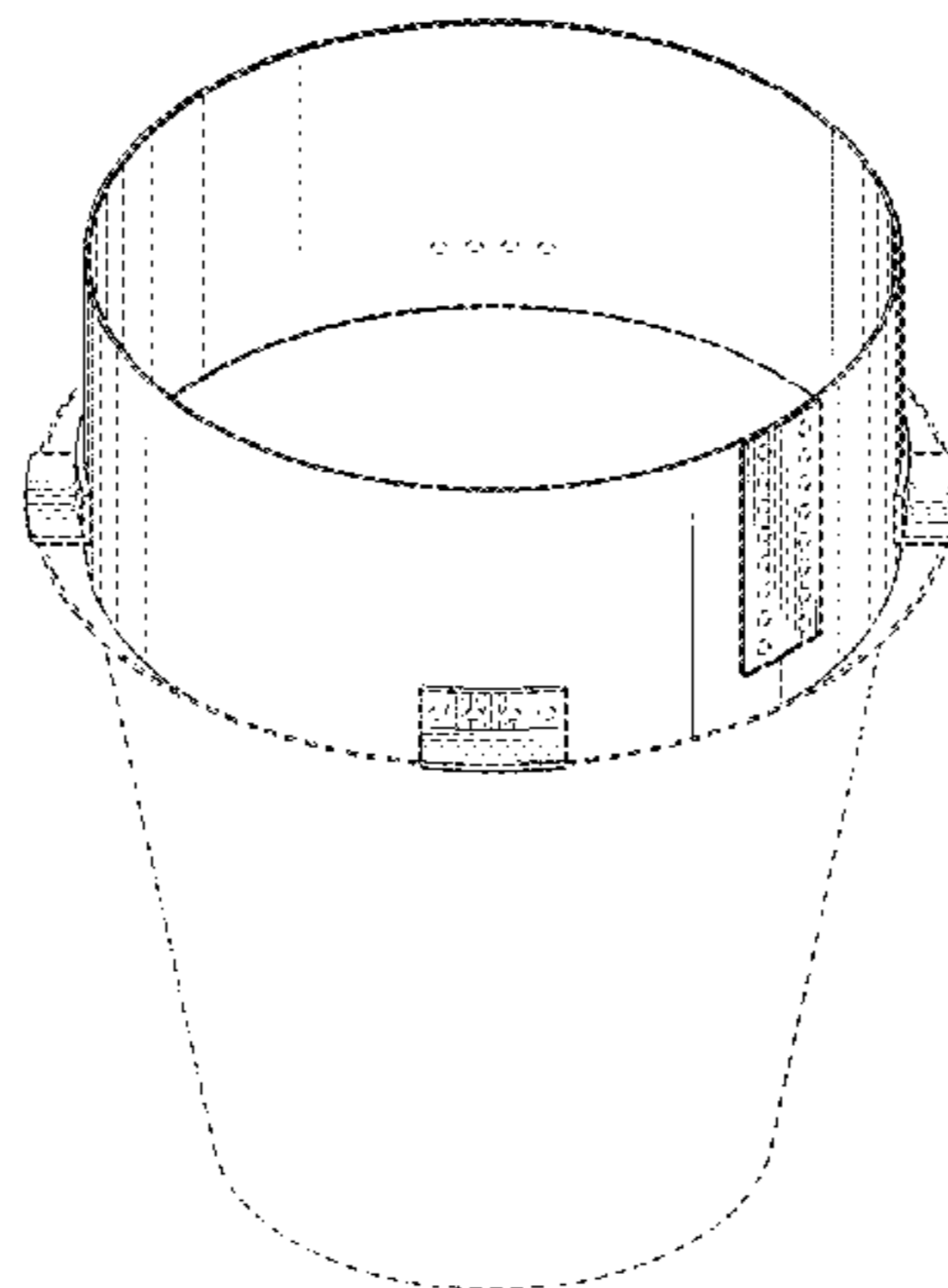
FIG. 15 is a cross-sectional view taken along line 15-15 of FIG. 11 thereof;

FIG. 16 is a cross-sectional view taken along line 16-16 of FIG. 9 thereof; and,

FIG. 17 is a perspective view thereof.

The broken lines in the drawings depict unclaimed environmental subject matter.

1 Claim, 9 Drawing Sheets



(56)

References Cited

U.S. PATENT DOCUMENTS

D269,519 S * 6/1983 Braun D15/138
 D280,761 S * 9/1985 Silsby D15/135
 D420,374 S * 2/2000 Zigliotto D15/144
 D422,609 S * 4/2000 Fong D15/136
 D446,530 S * 8/2001 Kuraoka D15/144
 6,334,898 B1 * 1/2002 Bommier C30B 15/10
 117/200
 D517,577 S * 3/2006 Conway D15/144
 D527,401 S * 8/2006 Mizuno D15/144
 D535,674 S * 1/2007 Conway D15/144
 D536,009 S * 1/2007 MacKenzie D15/144
 D582,950 S * 12/2008 Yamaguchi D15/144
 D653,270 S * 1/2012 Furujo D15/144
 D654,520 S * 2/2012 Okada D15/144
 D654,939 S * 2/2012 Furujo D15/144
 D681,706 S * 5/2013 Savill, Jr. D15/144
 D697,956 S * 1/2014 Davis D15/144
 D712,446 S * 9/2014 Wetzel 15/144.2
 D719,200 S * 12/2014 Hassan D15/144
 D735,787 S * 8/2015 Hassan D15/144
 D736,285 S * 8/2015 Hassan D15/144
 2002/0083886 A1 7/2002 Katoh
 2008/0253870 A1 * 10/2008 Ford G01N 35/0099
 414/225.01
 2009/0272314 A1 * 11/2009 Kato C30B 15/10
 117/206
 2009/0288592 A1 * 11/2009 Kato C30B 15/10
 117/206
 2010/0314400 A1 * 12/2010 Kanda C30B 29/06
 220/669
 2011/0017124 A1 1/2011 Hoshikawa et al.
 2013/0087094 A1 4/2013 Quinton et al.
 2013/0288192 A1 10/2013 Uhlenhut
 2014/0083638 A1 * 3/2014 Waniuk H05B 6/26
 164/47
 2014/0150986 A1 * 6/2014 Bewlay F27D 1/0006
 164/131
 2015/0151378 A1 * 6/2015 Fujii B23K 9/167
 219/74
 2015/0153108 A1 * 6/2015 Zhang F27B 14/06
 373/135
 2015/0184311 A1 * 7/2015 Turenne C30B 11/002
 65/33.9
 2015/0225870 A1 * 8/2015 Katoh C30B 11/002
 117/223

FOREIGN PATENT DOCUMENTS

CN 202530199 U 11/2012
 CN 203049098 U 7/2013
 JP D280905 S 2/1968
 JP D360817 S 12/1972
 JP D468561 S 9/1977
 JP D469183 S 9/1977
 JP D504817 S 3/1979

JP D504818 S 3/1979
 JP D508660 S 4/1979
 JP D508660/1 S 10/1979
 JP D508660/2 S 10/1979
 JP D508660/3 S 10/1979
 JP D508660/7 S 10/1979
 JP 59-103767 U 7/1984
 JP D641179 S 9/1984
 JP D669053 S 12/1985
 JP 61-123433 A 6/1986
 JP D690970 S 11/1986
 JP 62-28880 U 2/1987
 JP D744971 S 10/1988
 JP 64-42388 A 2/1989
 JP D756137 S 2/1989
 JP D756137/1 S 3/1989
 JP D756137/2 S 3/1989
 JP D756137/3 S 3/1989
 JP D7561374 S 3/1989
 JP 5-12488 A 1/1993
 JP D868856 S 5/1993
 JP D868857 S 5/1993
 JP D801276 S 8/1993
 JP D877961 S 9/1993
 JP D880209 S 10/1993
 JP D905180 S 8/1994
 JP D905181 S 8/1994
 JP 6-247719 A 9/1994
 JP 6-273060 A 9/1994
 JP 7-242978 A 9/1995
 JP D944952 S 1/1996
 JP D880209/1 S 4/1996
 JP D993758 S 10/1997
 JP D1010853 S 5/1998
 JP D1065082 S 3/2000
 JP D1065082/1 S 5/2000
 JP 2000-290739 A 10/2000
 JP 2011-105575 A 10/2000
 JP 2001-48693 A 2/2001
 JP 2001-323302 A 11/2001
 JP 2002-170780 A 6/2002
 JP 2003-112998 A 4/2003
 JP 2005-206416 A 8/2005
 JP 2007-240037 A 9/2007
 JP D1358312 S 5/2009
 JP D1358644 S 5/2009
 JP D1358645 S 5/2009
 JP D1359187 S 5/2009
 JP D1368861 S 9/2009
 JP D1368862 S 9/2009
 JP 2010-270345 A 12/2010
 JP D1402735 S 12/2010
 JP 2011-42560 A 3/2011
 JP D1415427 S 6/2011
 JP D1415594 S 6/2011
 JP 2012-254916 A 12/2012
 JP 2013-230970 A 11/2013

* cited by examiner

FIG.1

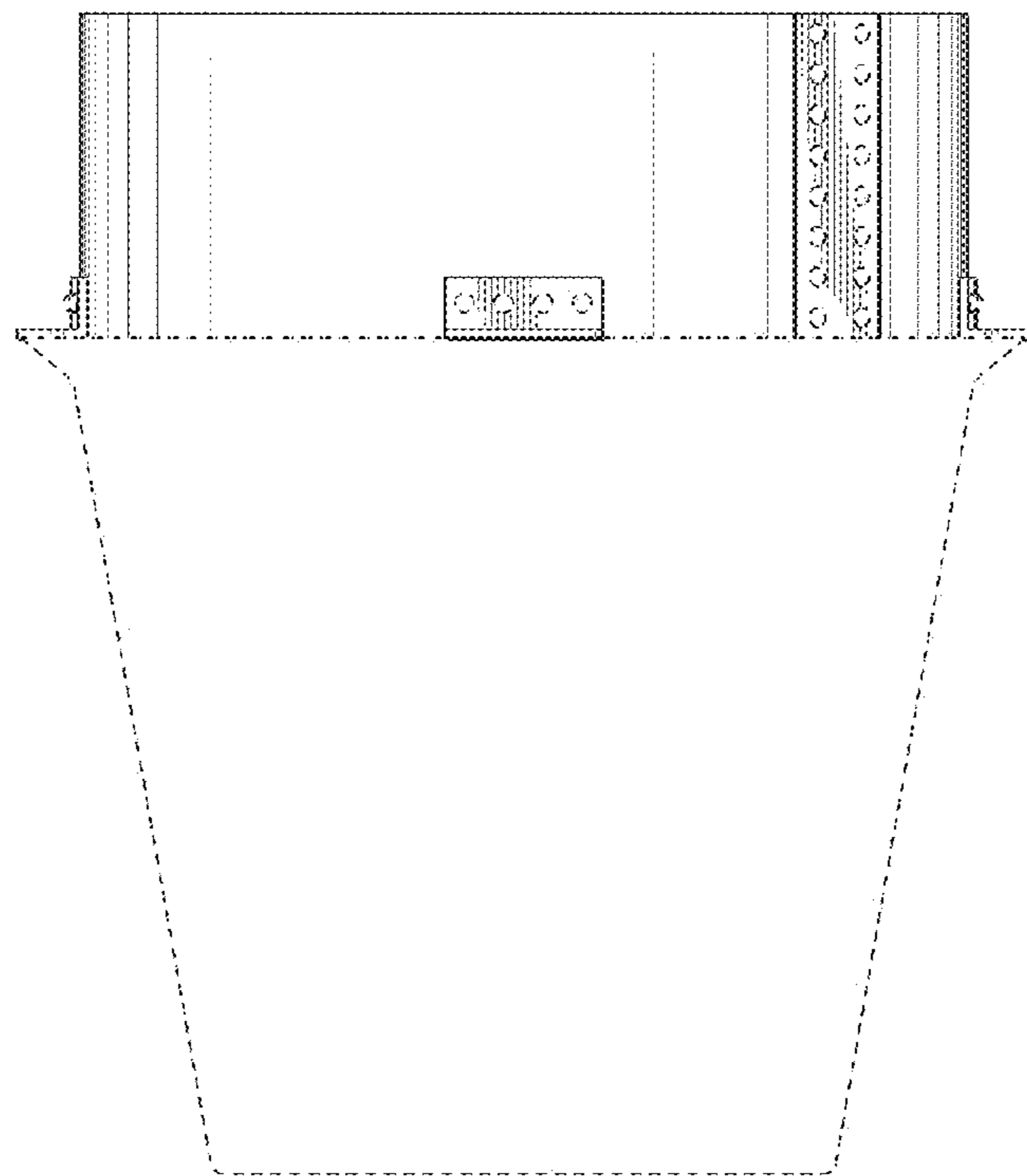


FIG.2

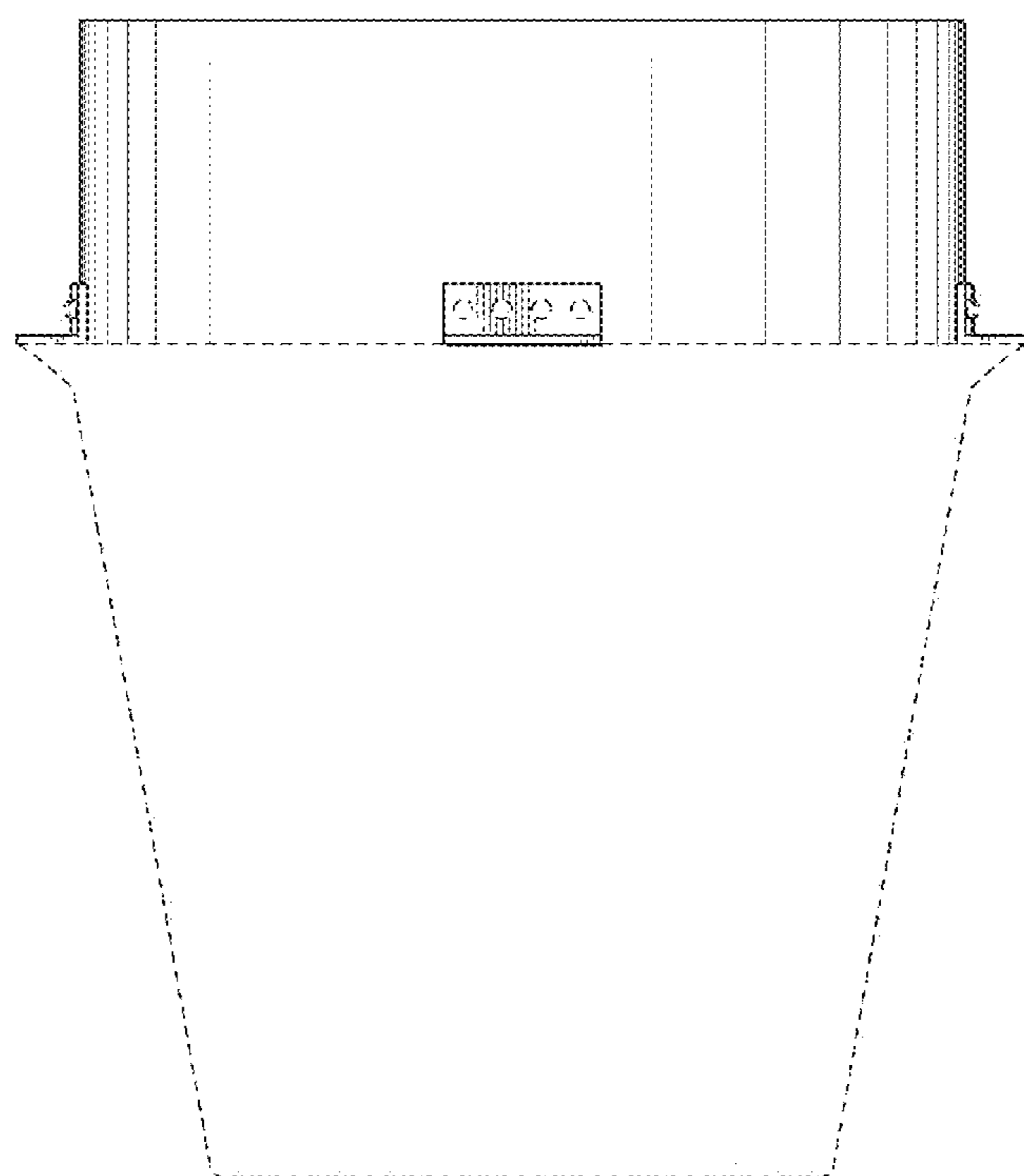


FIG.3

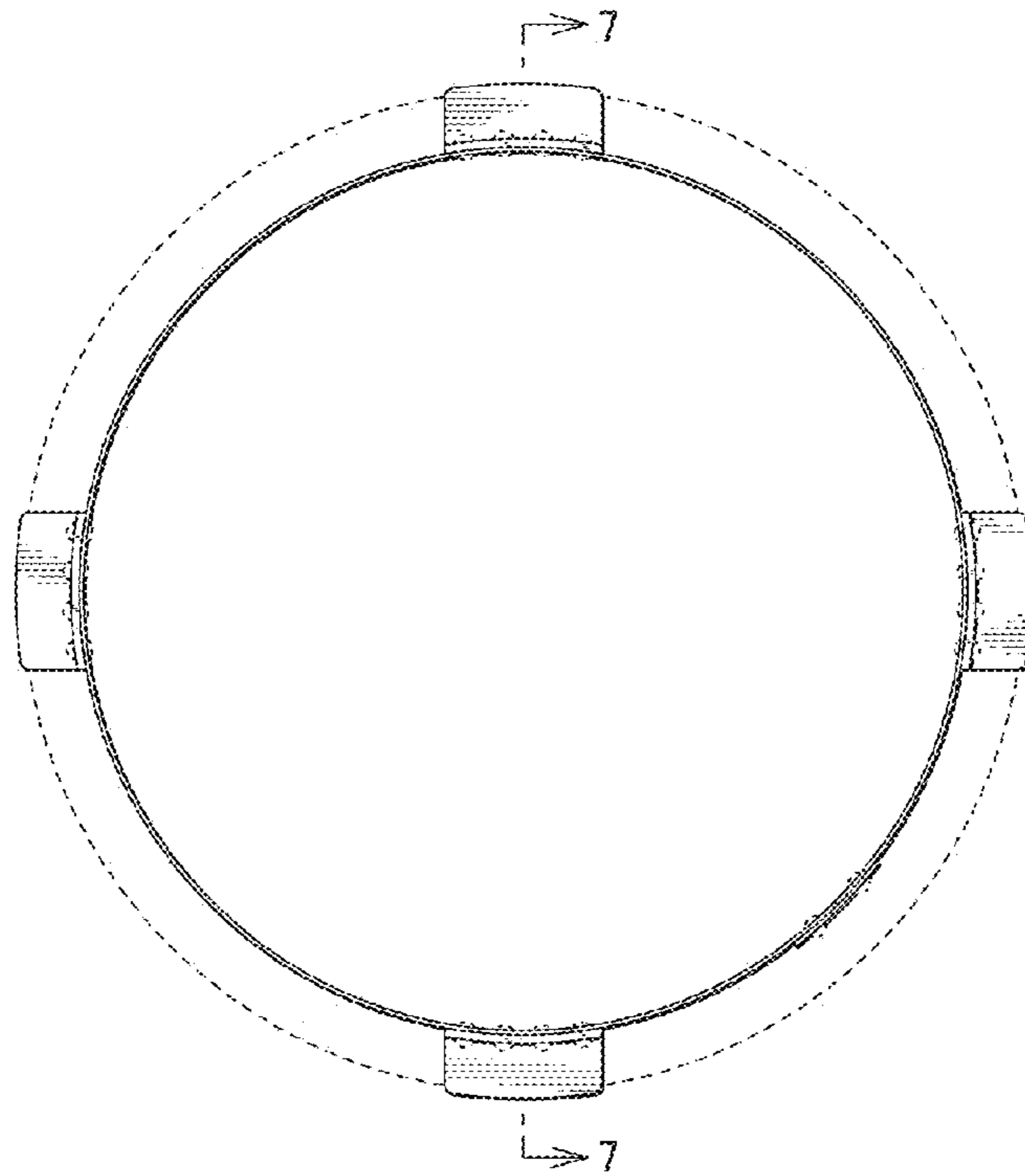


FIG.4

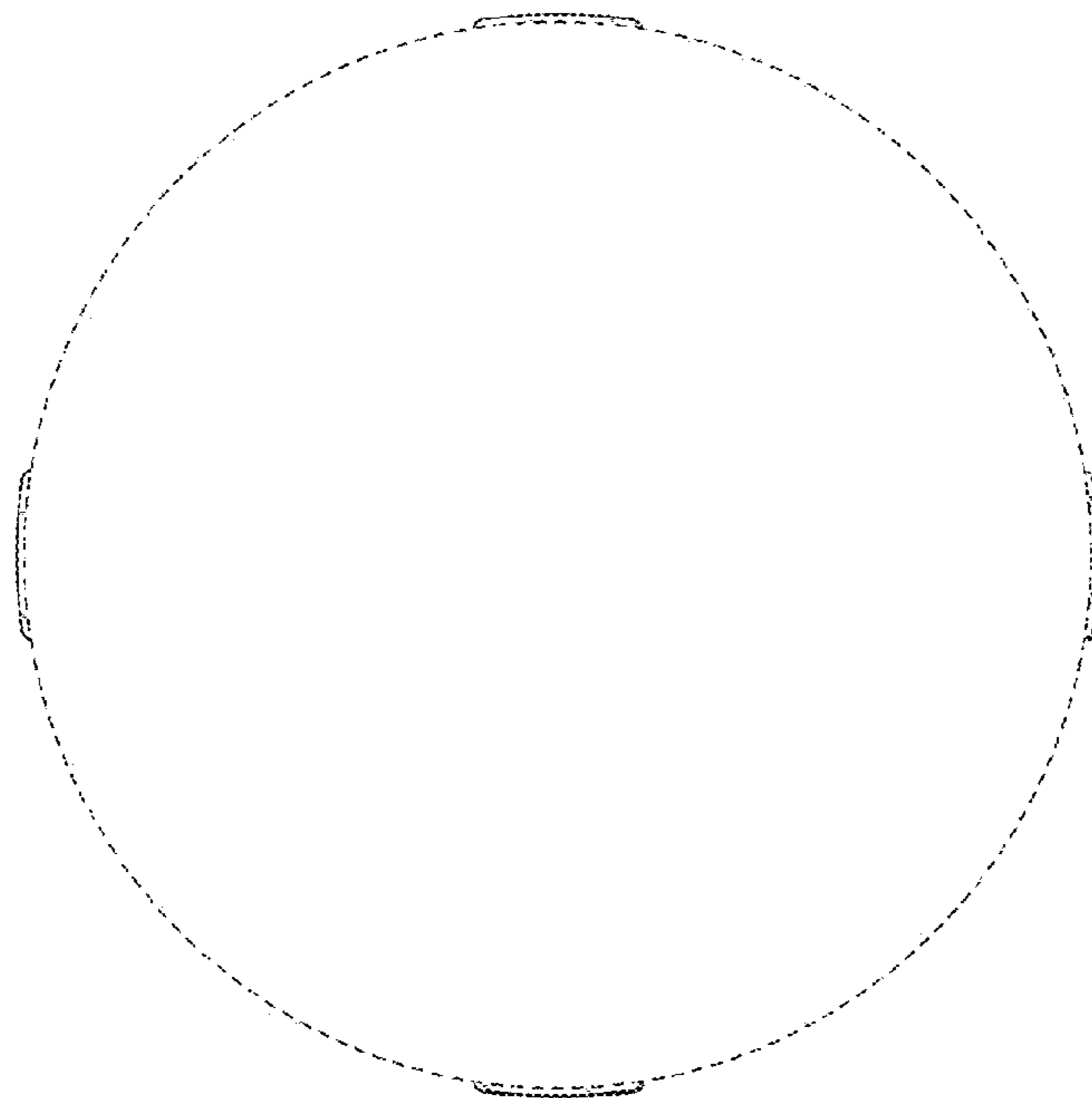


FIG.5

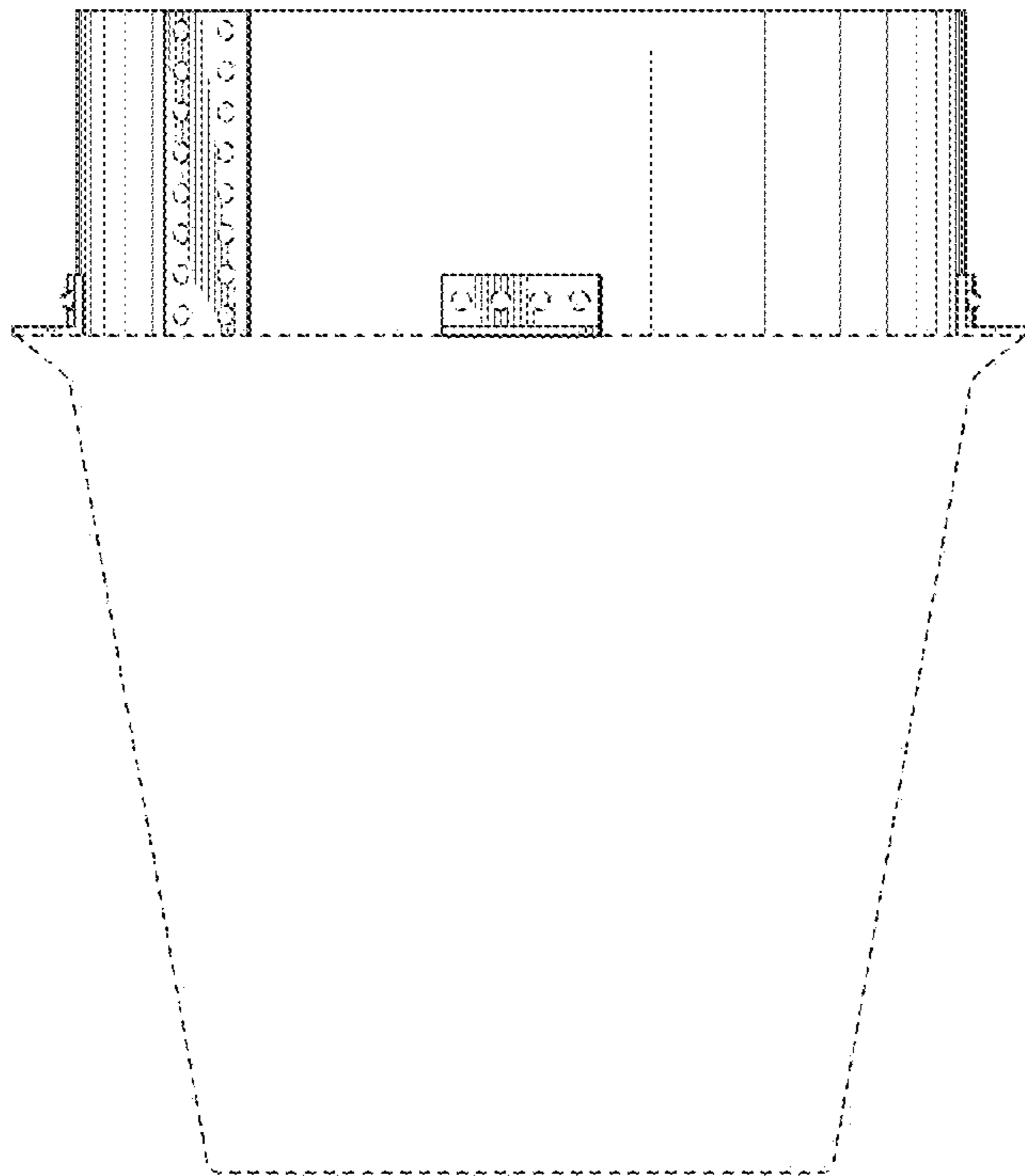


FIG.6

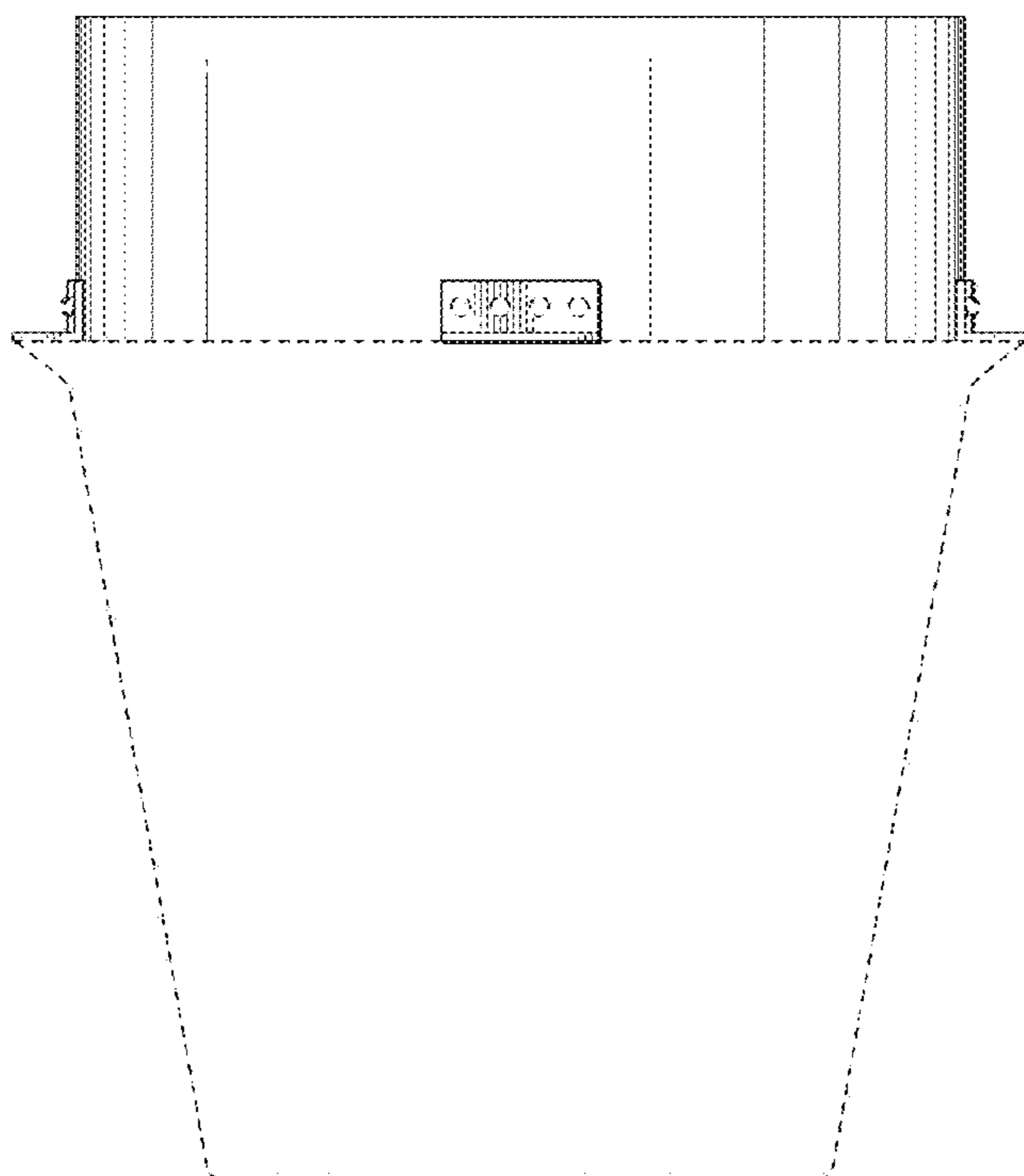


FIG.7

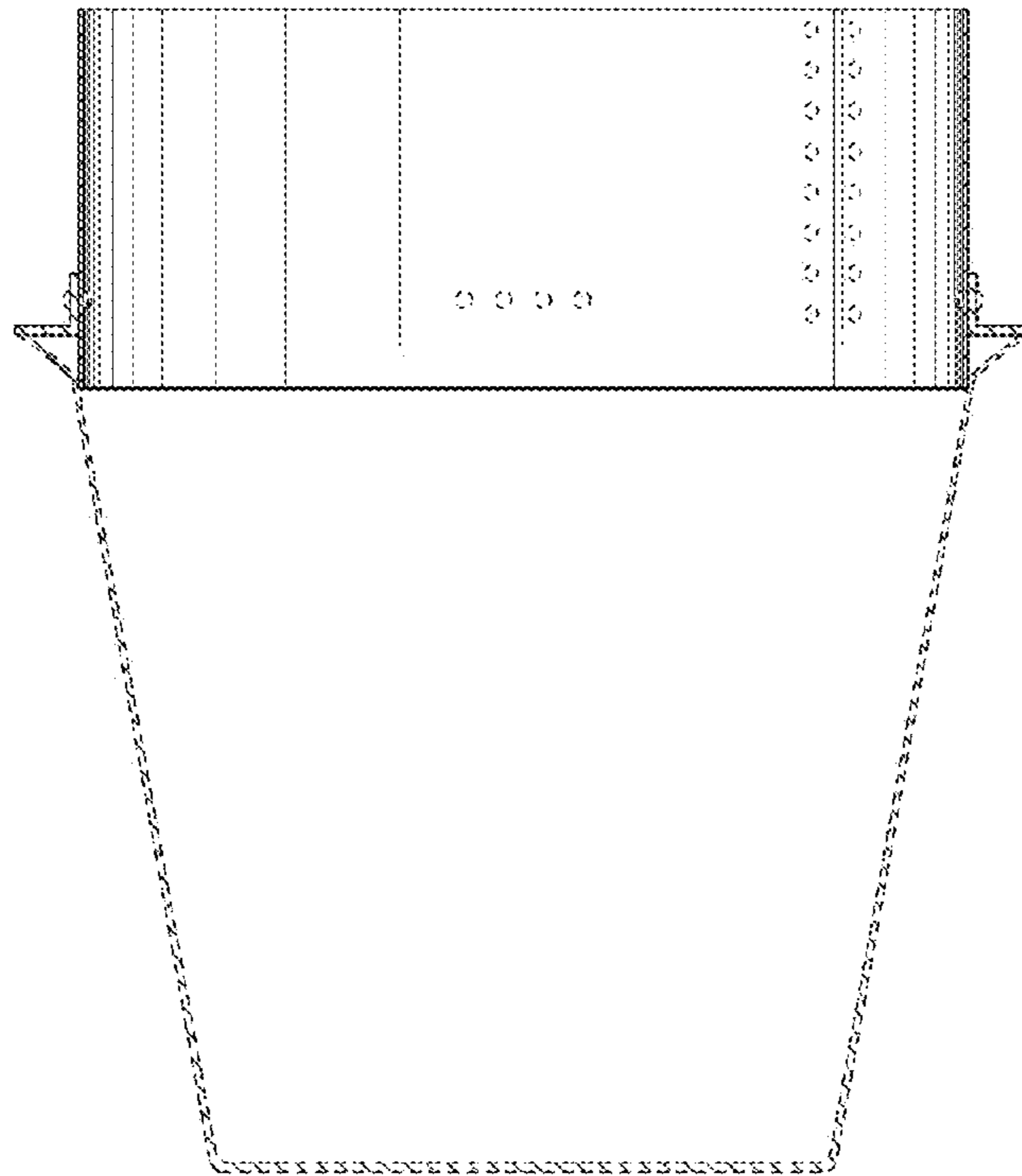


FIG.8

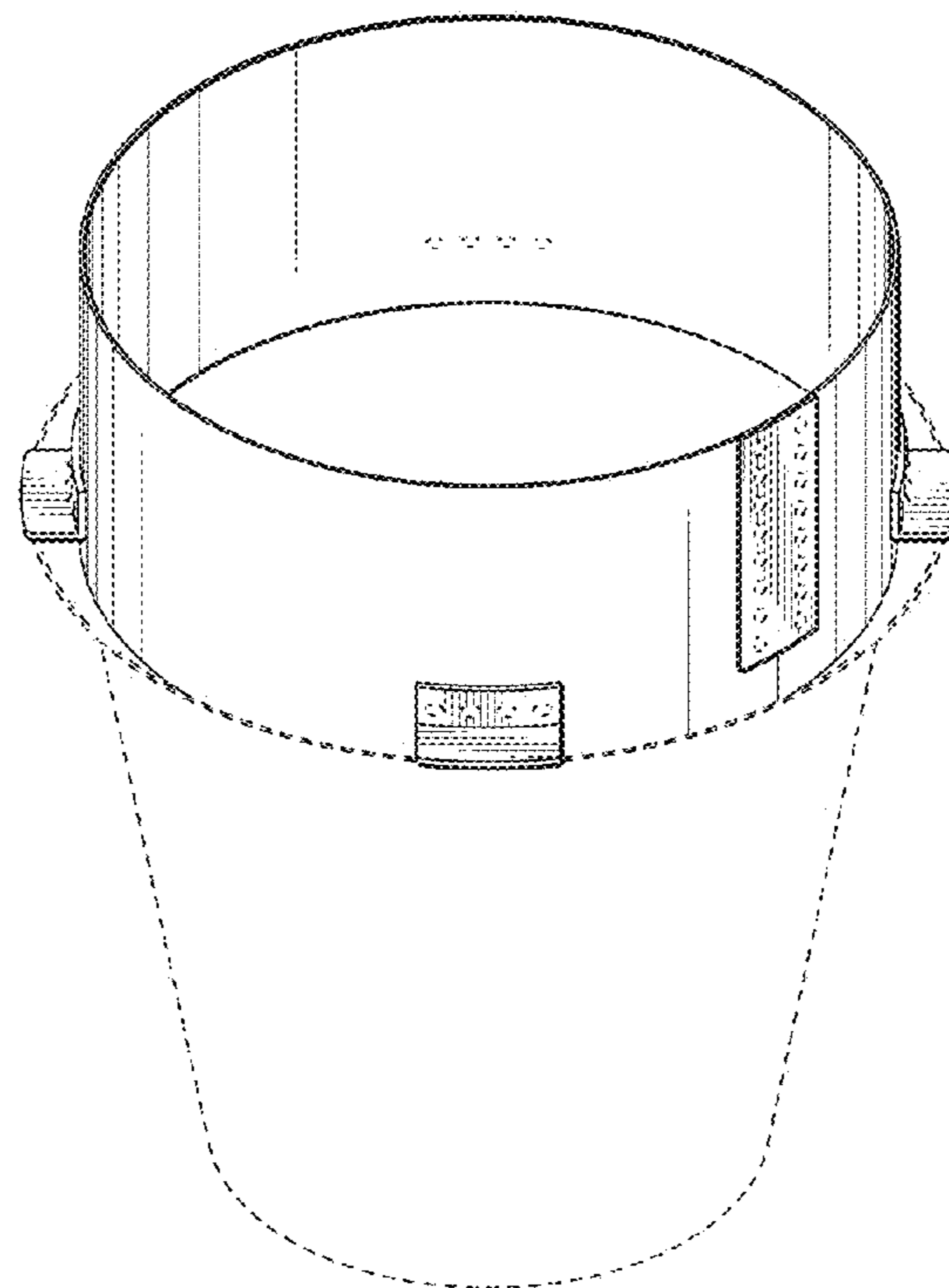


FIG. 9

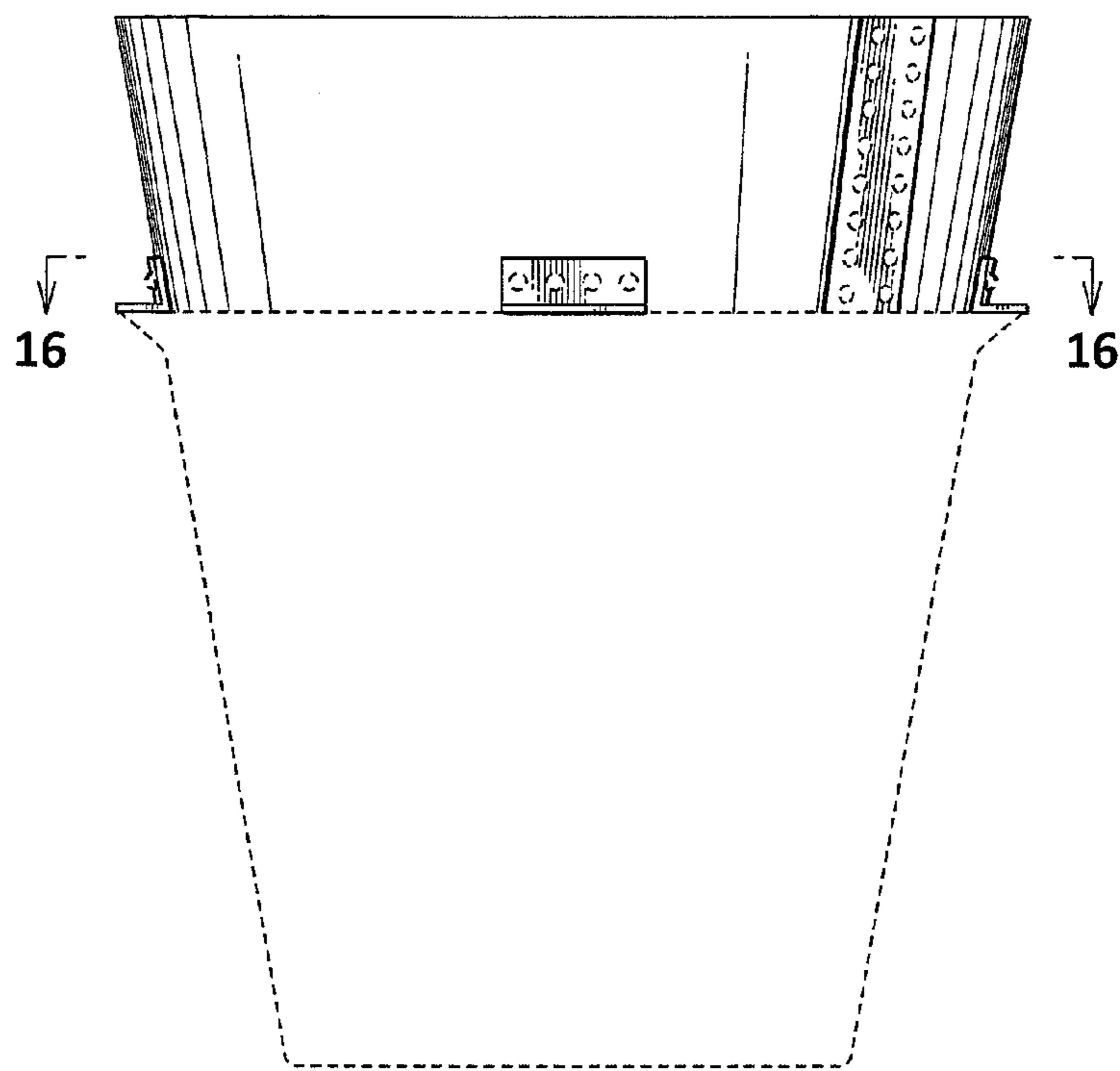


FIG. 10

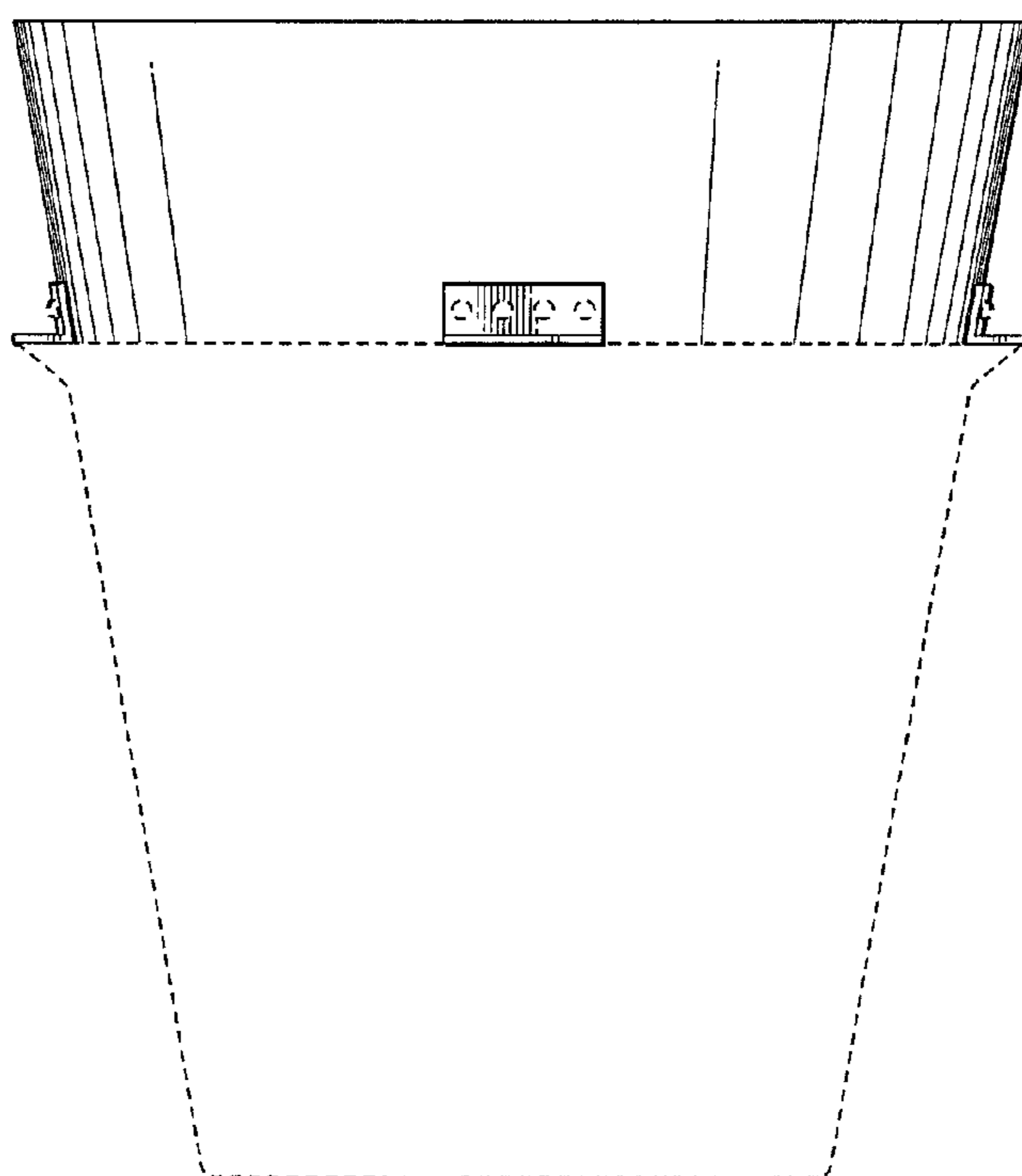


FIG. 11

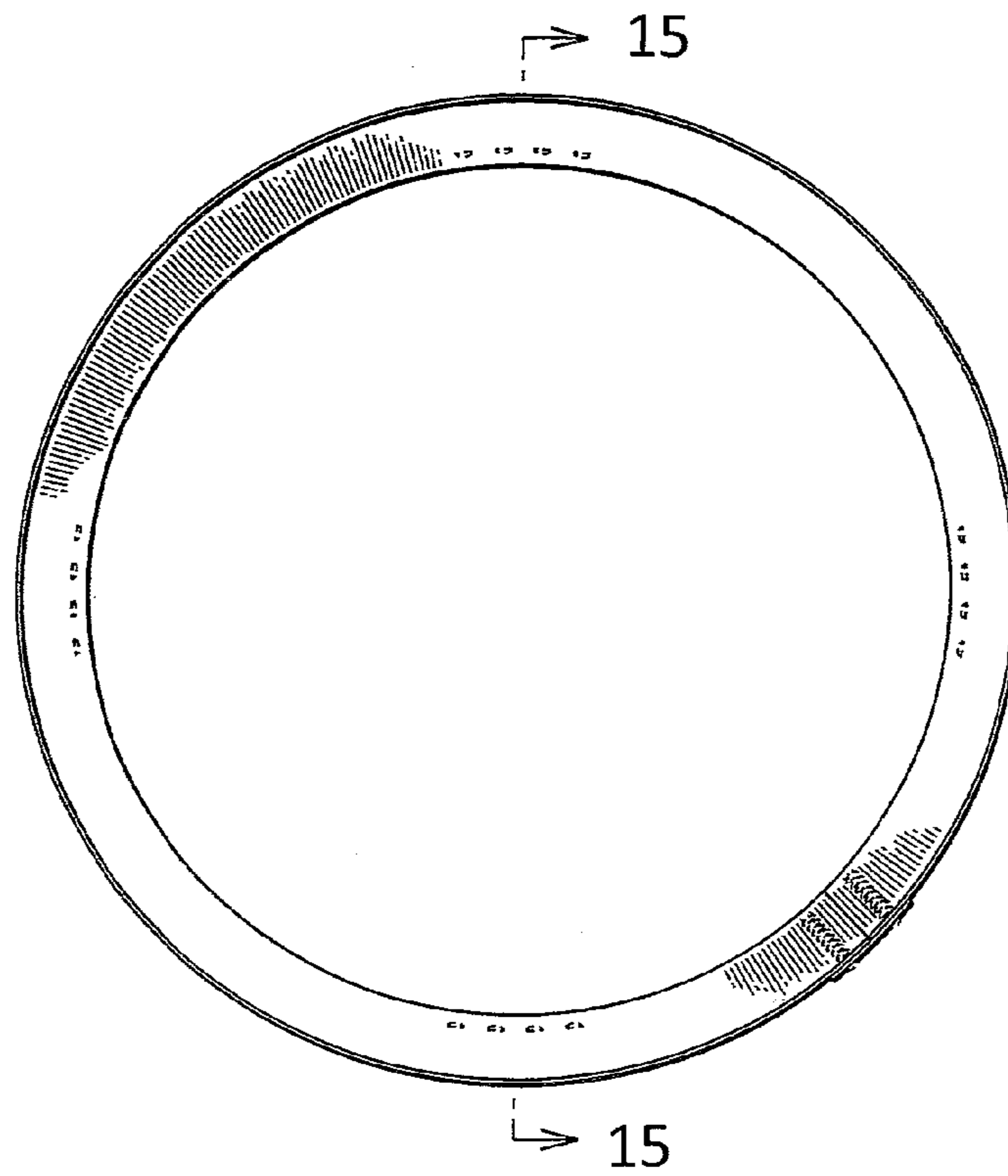


FIG. 12

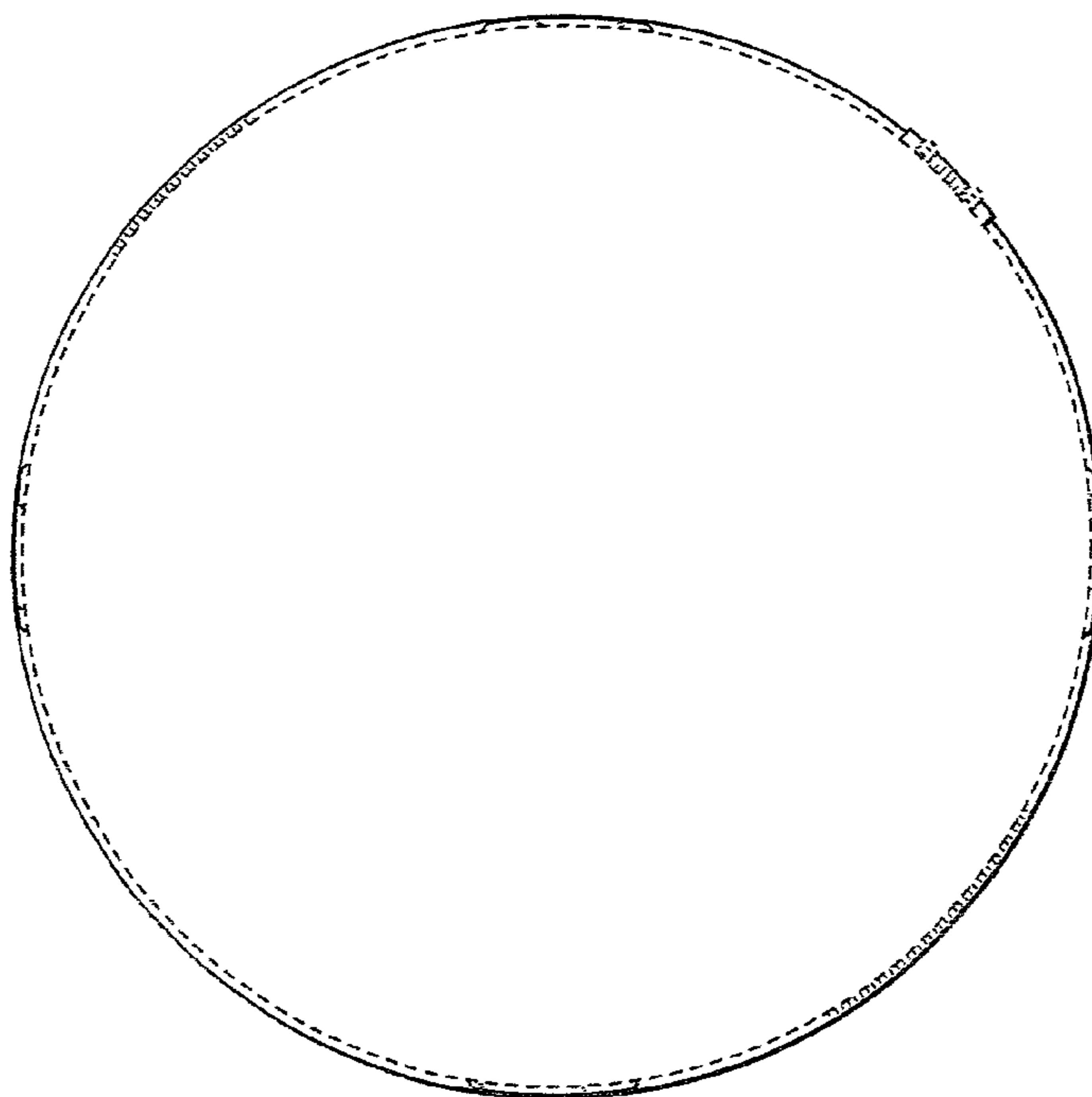


FIG. 13

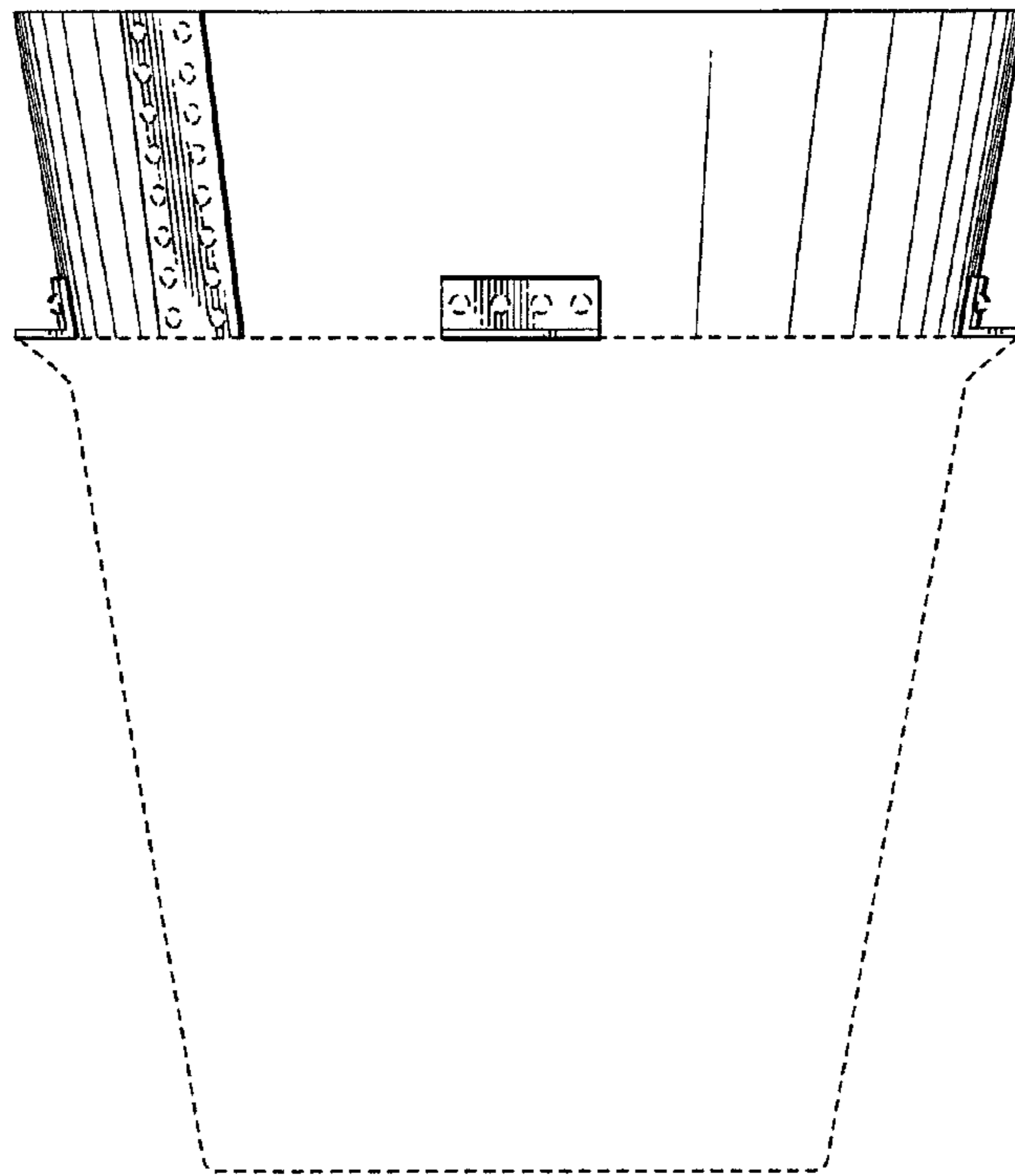


FIG. 14

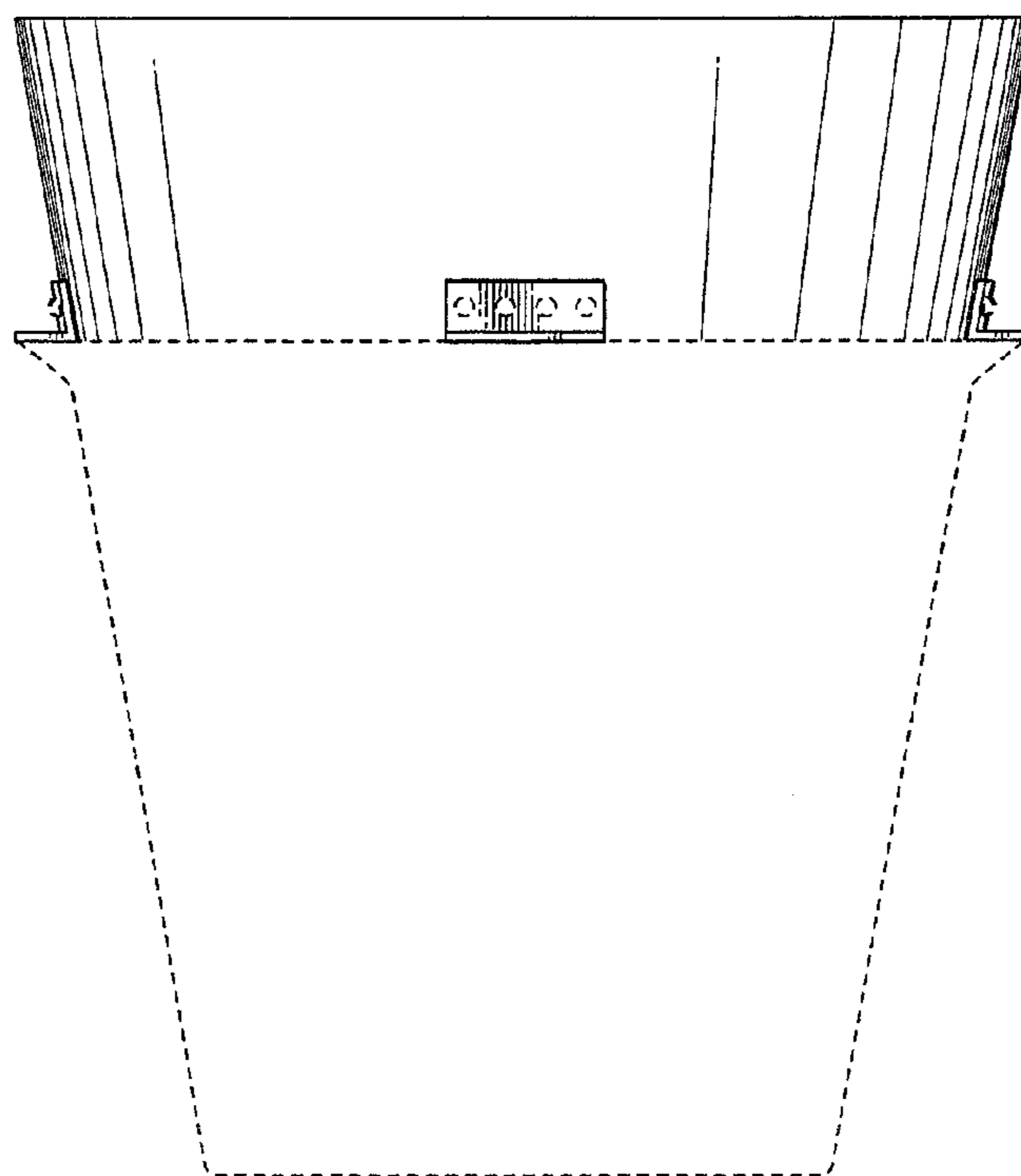


FIG. 15

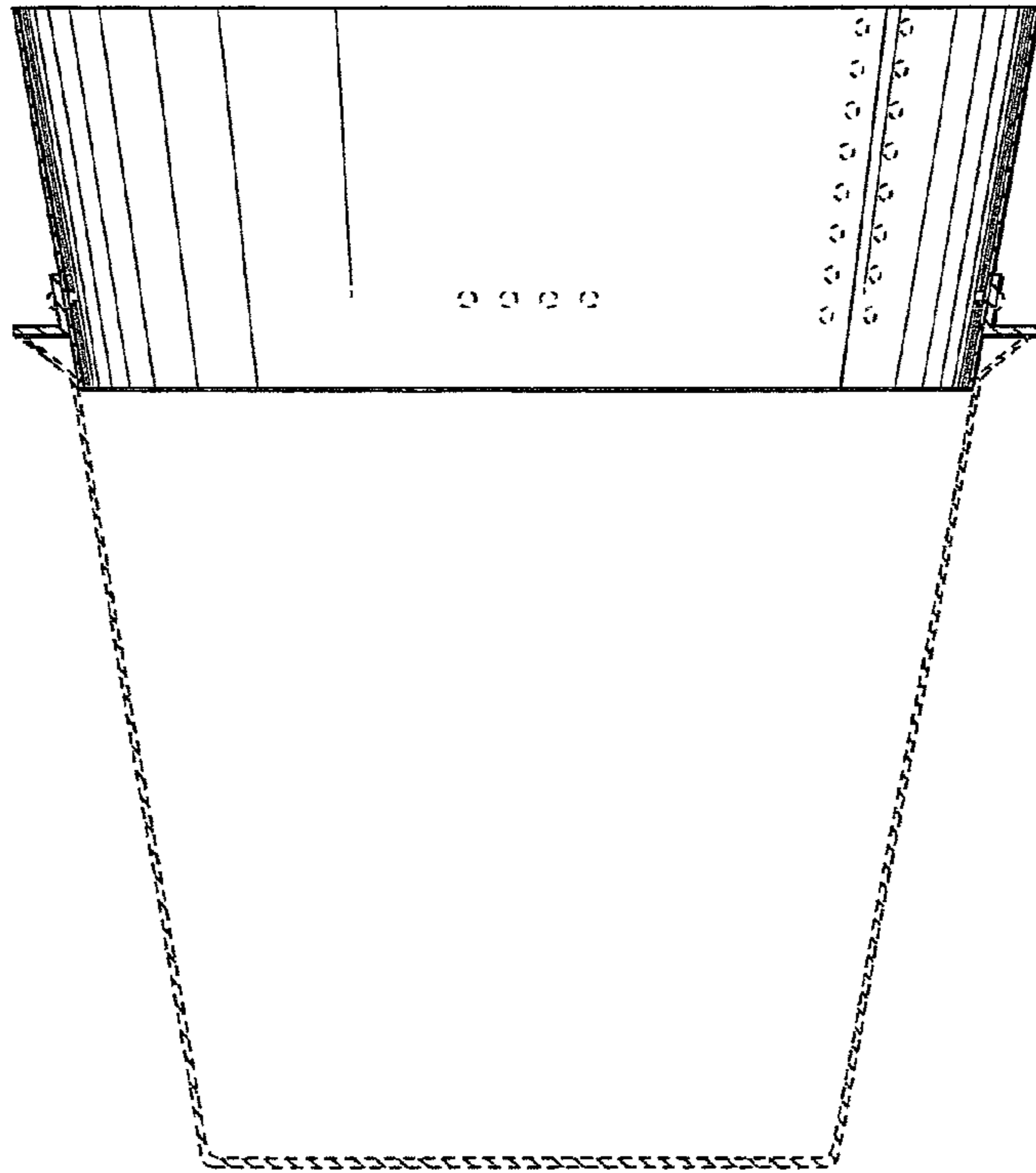


FIG. 16

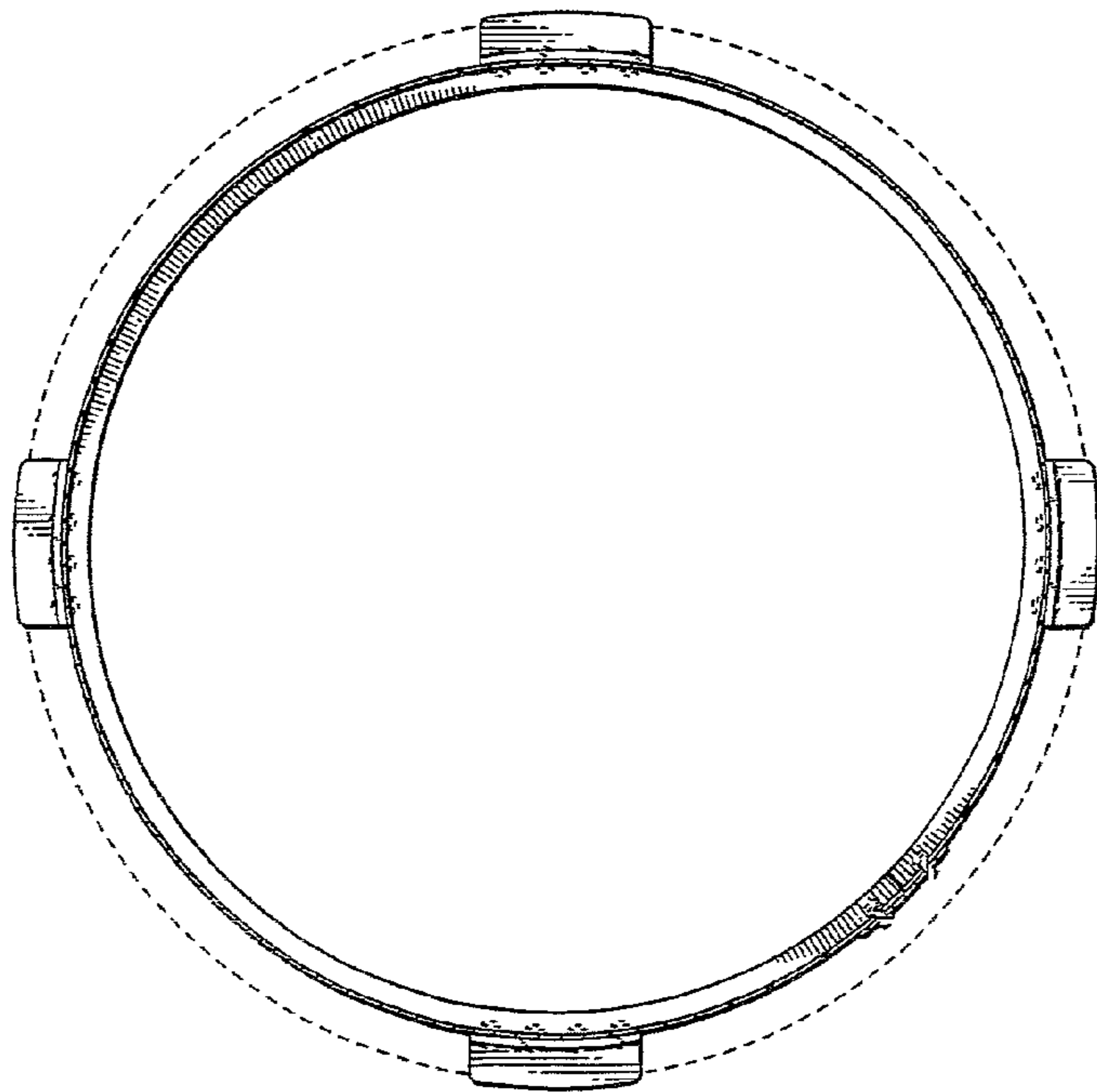


FIG. 17

