



US00D771166S

(12) **United States Design Patent**
Koganei et al.

(10) **Patent No.:** **US D771,166 S**
(45) **Date of Patent:** **** Nov. 8, 2016**

- (54) **TAPERED ROLLER BEARING CAGE**
- (71) Applicant: **NSK LTD.**, Tokyo (JP)
- (72) Inventors: **Makoto Koganei**, Fujisawa (JP);
Daisuke Tominaga, Fujisawa (JP);
Hiroshi Sakamoto, Fujisawa (JP);
Shunichi Kiyono, Fujisawa (JP);
Mamoru Aoki, Fujisawa (JP)
- (73) Assignee: **NSK LTD.**, Tokyo (JP)
- (**) Term: **14 Years**
- (21) Appl. No.: **29/494,320**
- (22) Filed: **Jun. 19, 2014**
- (51) **LOC (10) Cl.** **15-09**
- (52) **U.S. Cl.**
USPC **D15/143**
- (58) **Field of Classification Search**
USPC D15/143, 199
See application file for complete search history.

- 5,630,668 A * 5/1997 Ikezawa F16C 19/30
384/527
- D444,802 S * 7/2001 Dyson D15/143
- 6,883,968 B2 * 4/2005 Fugel F16C 33/546
384/577
- 7,033,083 B2 * 4/2006 Obayashi F16C 33/48
384/619
- 7,114,854 B2 * 10/2006 Hayashi F16C 19/305
384/623
- 7,722,257 B2 * 5/2010 Tabata F16C 19/364
384/571
- 8,177,438 B2 * 5/2012 Waseda F16C 19/30
384/420
- 8,303,191 B2 * 11/2012 Albrecht F16C 19/30
384/572
- 8,616,776 B2 * 12/2013 Nakamura F16C 33/4635
384/470
- 8,814,437 B2 * 8/2014 Braun B29C 67/0051
29/898.067
- D713,434 S * 9/2014 Nishikawa D15/143
- 8,876,400 B2 * 11/2014 Kanou F16C 19/30
384/620
- 8,894,294 B2 * 11/2014 Durney F16C 33/6629
384/578
- 8,911,155 B2 * 12/2014 Onizuka F16C 33/546
384/623
- 8,985,860 B2 * 3/2015 Honjo F16C 33/4682
384/526
- 8,998,498 B2 * 4/2015 Mizuki F16C 33/4635
384/470
- 9,033,585 B2 * 5/2015 Hewitt F16C 33/467
384/572
- 9,039,288 B2 * 5/2015 Takeuchi F16C 33/4635
384/572
- 9,039,290 B2 * 5/2015 Takahashi F16C 19/30
384/623
- 9,140,303 B2 * 9/2015 Dittmar F16C 33/4635
- 9,163,659 B2 * 10/2015 Sato F16C 9/02
- 9,206,847 B2 * 12/2015 Peterson F16C 33/303
- 9,217,470 B2 * 12/2015 Beck F16C 43/04

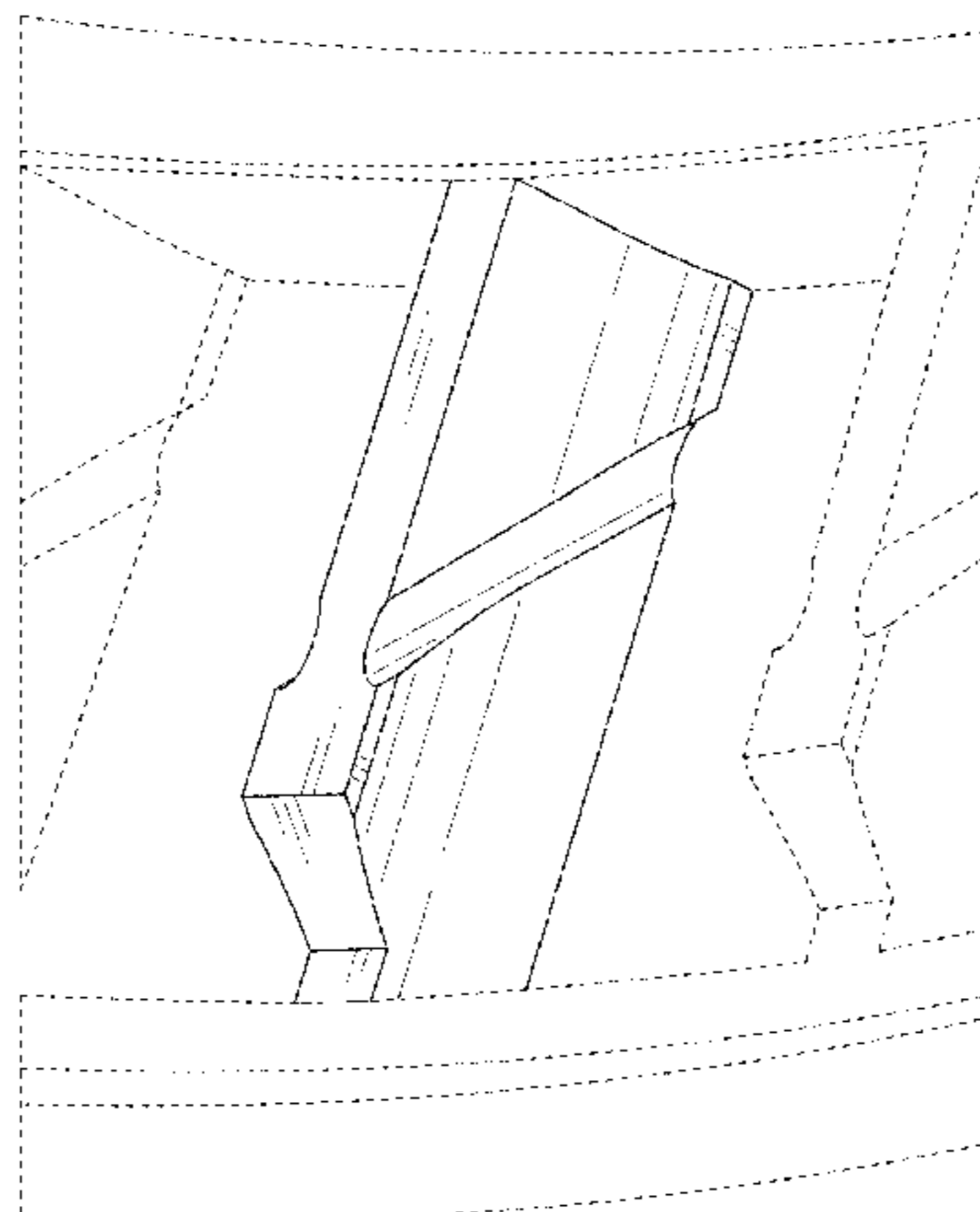
(56) **References Cited**

U.S. PATENT DOCUMENTS

- 2,049,040 A * 7/1936 Baker F16C 19/364
384/577
- 2,454,028 A * 11/1948 Baker F16C 19/305
29/898.065
- 3,256,585 A * 6/1966 Ripple F16C 19/364
269/305
- 3,876,267 A * 4/1975 Schaeffler B29C 45/2628
384/623
- 4,122,589 A * 10/1978 Grimm B21D 53/12
29/898.067
- 4,425,011 A * 1/1984 Cunningham F16C 19/364
384/571
- 4,824,265 A * 4/1989 Hofmann F16C 19/364
384/560
- 5,033,878 A * 7/1991 Tsuji F16C 23/086
384/576
- 5,255,985 A * 10/1993 Alling F16C 33/546
384/470
- 5,626,426 A * 5/1997 Honda F16C 23/086
384/568

FOREIGN PATENT DOCUMENTS

- EP 1408248 A2 4/2004
- JP 58-165324 U 11/1983
- JP 2007-024110 A 2/2007
- JP 2007-032679 A 2/2007
- JP 2008-180246 A 8/2008
- JP 1344787 S 11/2008
- JP 2010-025155 A 2/2010
- JP 2010-048342 A 3/2010
- JP 2012-225492 A 11/2012
- JP 2012-241873 A 12/2012



WO 2010/005007 A1 1/2010
 WO 2014/104132 A1 7/2014
 WO 2014/163177 A1 10/2014

* cited by examiner

OTHER PUBLICATIONS

Communication issued on Feb. 6, 2015 by the Korean Intellectual Property Office in related application No. 30-2014-0030091.

Primary Examiner — Patricia Palasik
 (74) *Attorney, Agent, or Firm* — Sughrue Mion, PLLC

(57) **CLAIM**

The ornamental design for a tapered roller bearing cage, as shown and described.

DESCRIPTION

FIG. 1 is a top, front, right perspective view of a tapered roller bearing cage according to a first embodiment showing our new design;
 FIG. 2 is a front view thereof;
 FIG. 3 is a rear view thereof;
 FIG. 4 is a right side view thereof, the left side being a mirror image;
 FIG. 5 is a top view thereof;
 FIG. 6 is a bottom view thereof;
 FIG. 7 is an enlarged view of a portion 7 of FIG. 1;
 FIG. 8 is an enlarged view of a portion 8 of FIG. 2;
 FIG. 9 is an enlarged rear view of the portion 8 of FIG. 2;
 FIG. 10 is an enlarged top view of the portion 8 of FIG. 2;
 FIG. 11 is a cross sectional view taken along the line 11-11 of FIG. 8;
 FIG. 12 is a cross sectional view taken along the line 12-12 of FIG. 8;
 FIG. 13 is a cross sectional view taken along the line 13-13 of FIG. 8;
 FIG. 14 is a cross sectional view taken along the line 14-14 of FIG. 8;
 FIG. 15 is a cross sectional view taken along the line 15-15 of FIG. 8;
 FIG. 16 is a top, front, right perspective view of a tapered roller bearing cage according to a second embodiment showing our new design;
 FIG. 17 is a front view thereof;
 FIG. 18 is a rear view thereof;

FIG. 19 is a right side view thereof, the left side being a mirror image;
 FIG. 20 is a top view thereof;
 FIG. 21 is a bottom view thereof;
 FIG. 22 is an enlarged view of a portion 22 of FIG. 16;
 FIG. 23 is an enlarged view of a portion 23 of FIG. 17;
 FIG. 24 is an enlarged rear view of the portion 23 of FIG. 17;
 FIG. 25 is an enlarged top view of the portion 23 of FIG. 17;
 FIG. 26 is a cross sectional view taken along the line 26-26 of FIG. 23;
 FIG. 27 is a cross sectional view taken along the line 27-27 of FIG. 23;
 FIG. 28 is a cross sectional view taken along the line 28-28 of FIG. 23;
 FIG. 29 is a cross sectional view taken along the line 29-29 of FIG. 23;
 FIG. 30 is a cross sectional view taken along the line 30-30 of FIG. 23;
 FIG. 31 is a top, front, right perspective view of a tapered roller bearing cage according to a third embodiment showing our new design;
 FIG. 32 is a front view thereof;
 FIG. 33 is a rear view thereof;
 FIG. 34 is a right side view thereof, the left side being a mirror image;
 FIG. 35 is a top view thereof;
 FIG. 36 is a bottom view thereof;
 FIG. 37 is an enlarged view of a portion 37 of FIG. 31;
 FIG. 38 is an enlarged view of a portion 38 of FIG. 32;
 FIG. 39 is an enlarged rear view of the portion 38 of FIG. 32;
 FIG. 40 is an enlarged top view of the portion 38 of FIG. 32;
 FIG. 41 is a cross sectional view taken along the line 41-41 of FIG. 38;
 FIG. 42 is a cross sectional view taken along the line 42-42 of FIG. 38;
 FIG. 43 is a cross sectional view taken along the line 43-43 of FIG. 38;
 FIG. 44 is a cross sectional view taken along the line 44-44 of FIG. 38; and,
 FIG. 45 is a cross sectional view taken along the line 45-45 of FIG. 38.

The uneven-length broken lines represent unclaimed boundaries of the claimed design. The even-length broken lines represents unclaimed portions of the tapered roller bearing cage and form no part of the claimed design.

1 Claim, 39 Drawing Sheets

Fig. 1

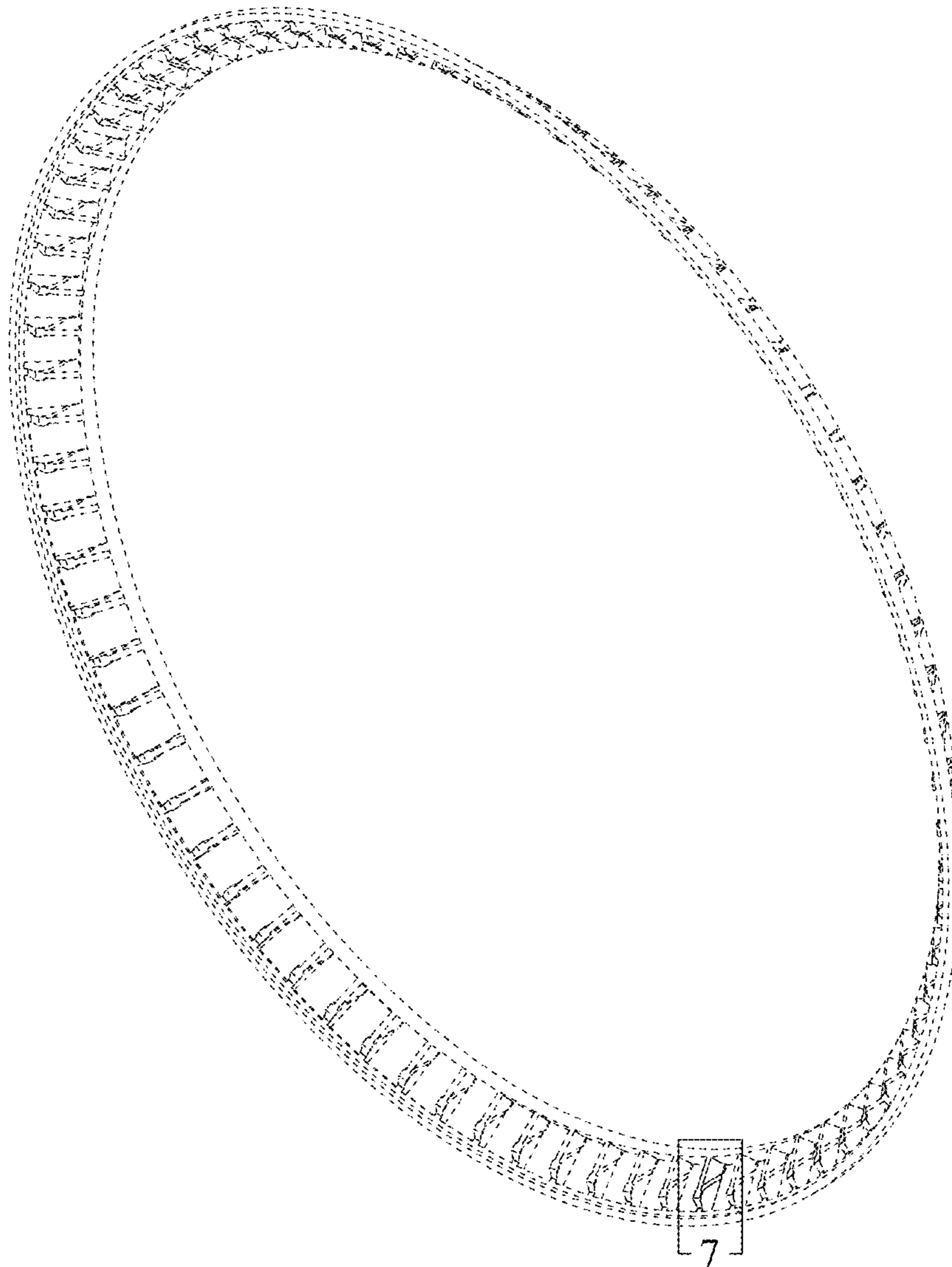


Fig. 2

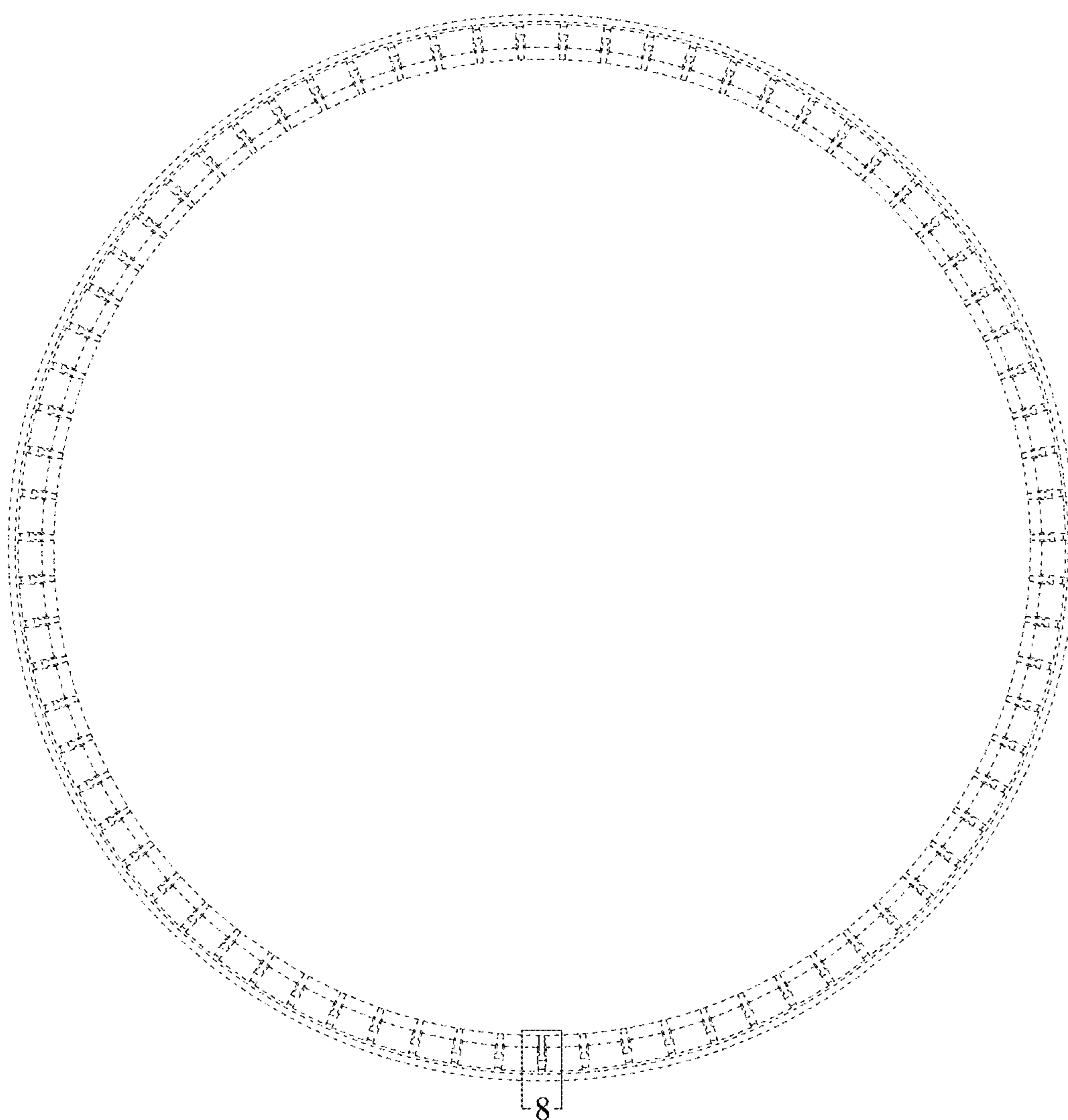


Fig. 3

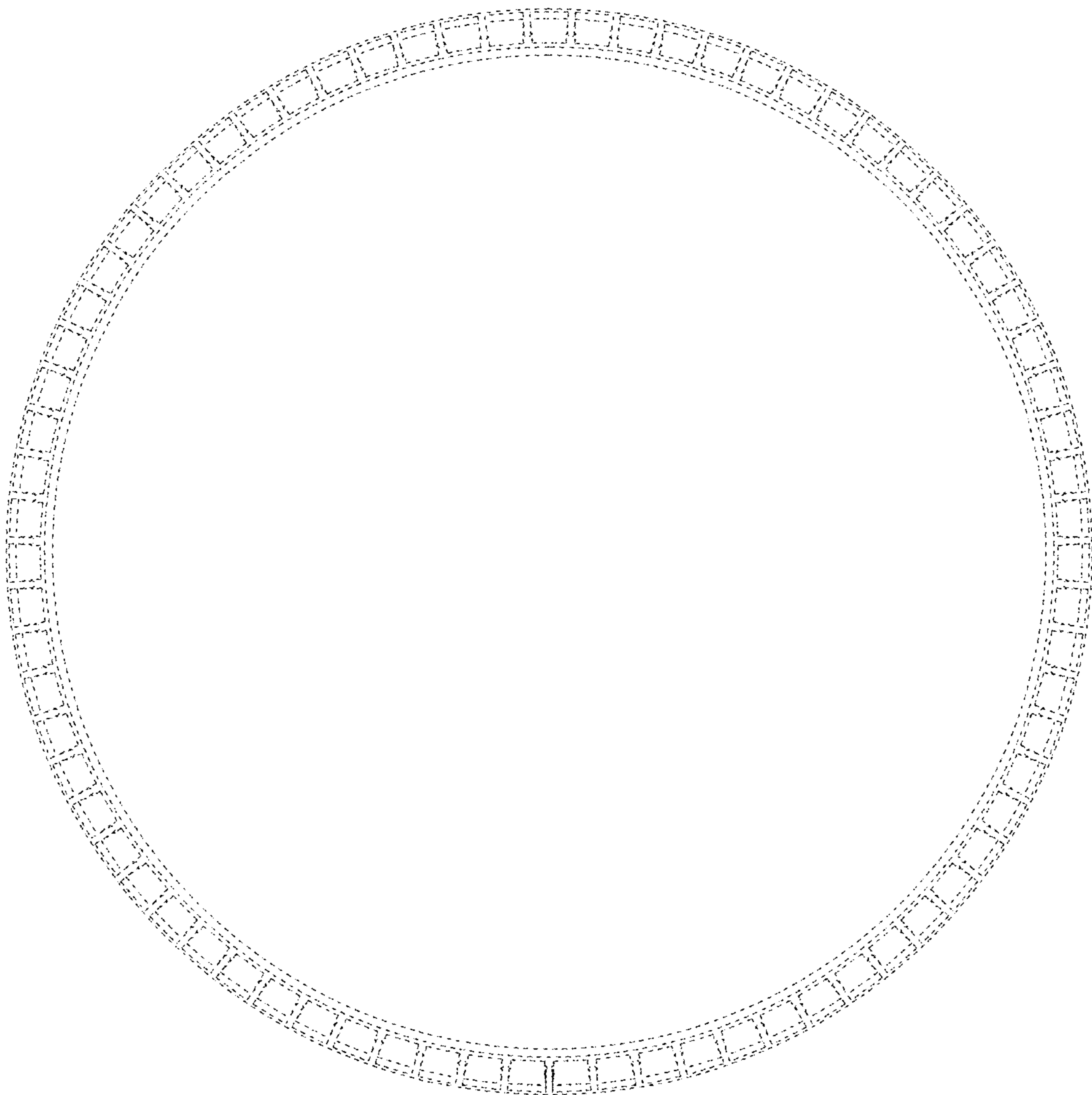


Fig. 4

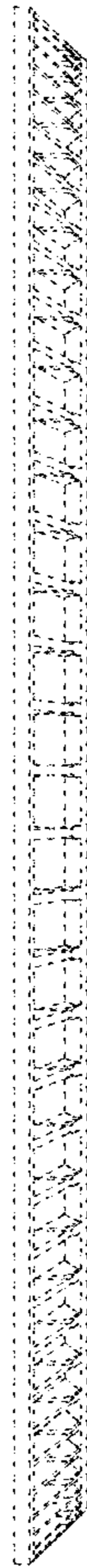


Fig. 5

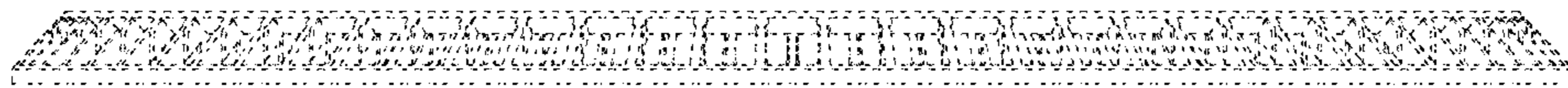


Fig. 6

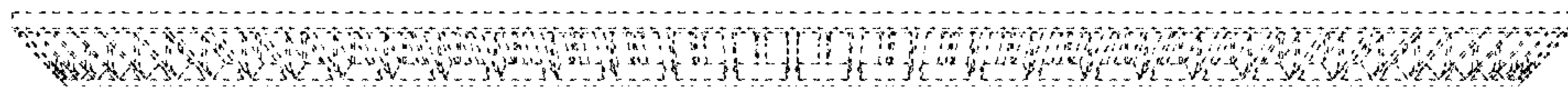


Fig. 7

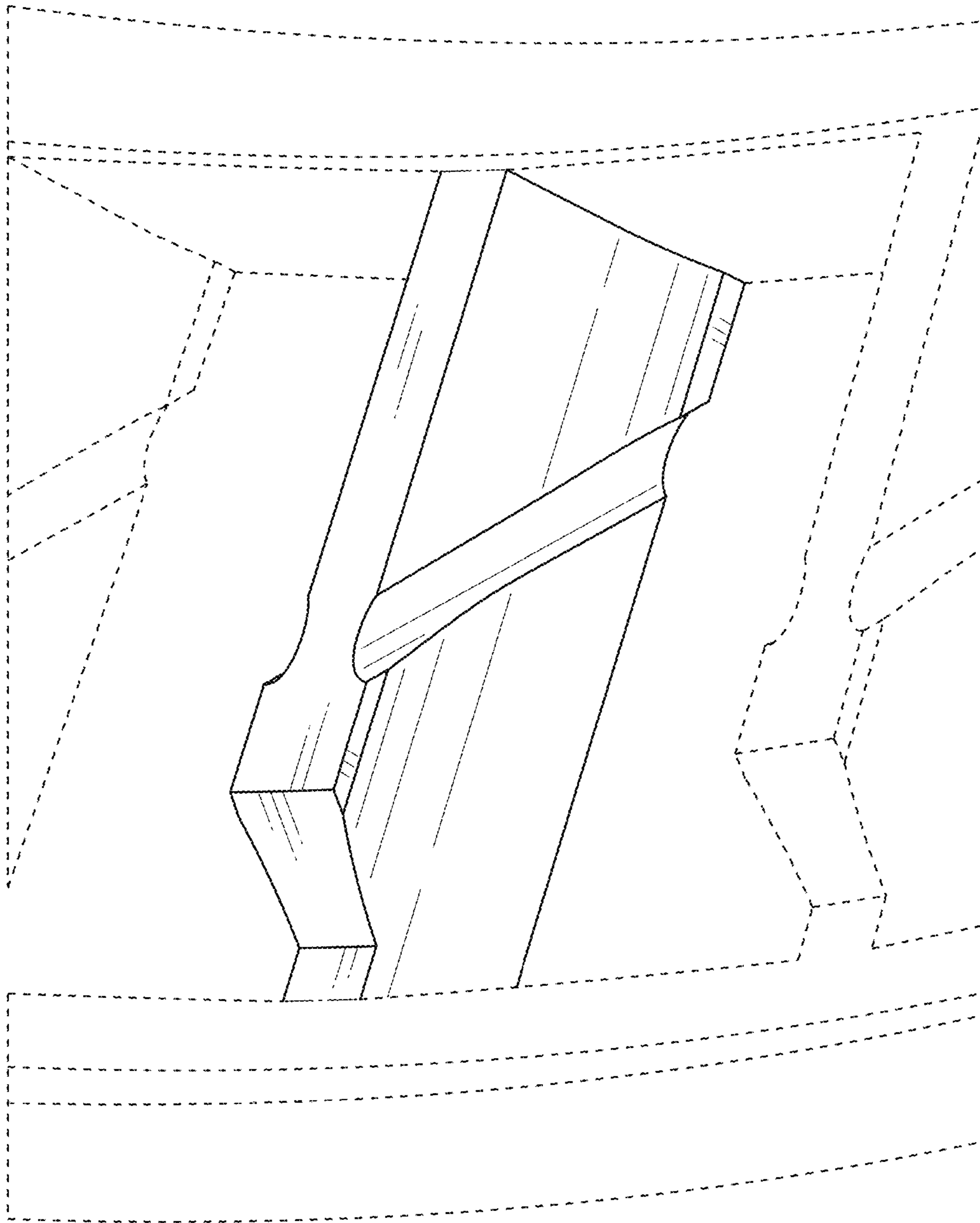


Fig. 8

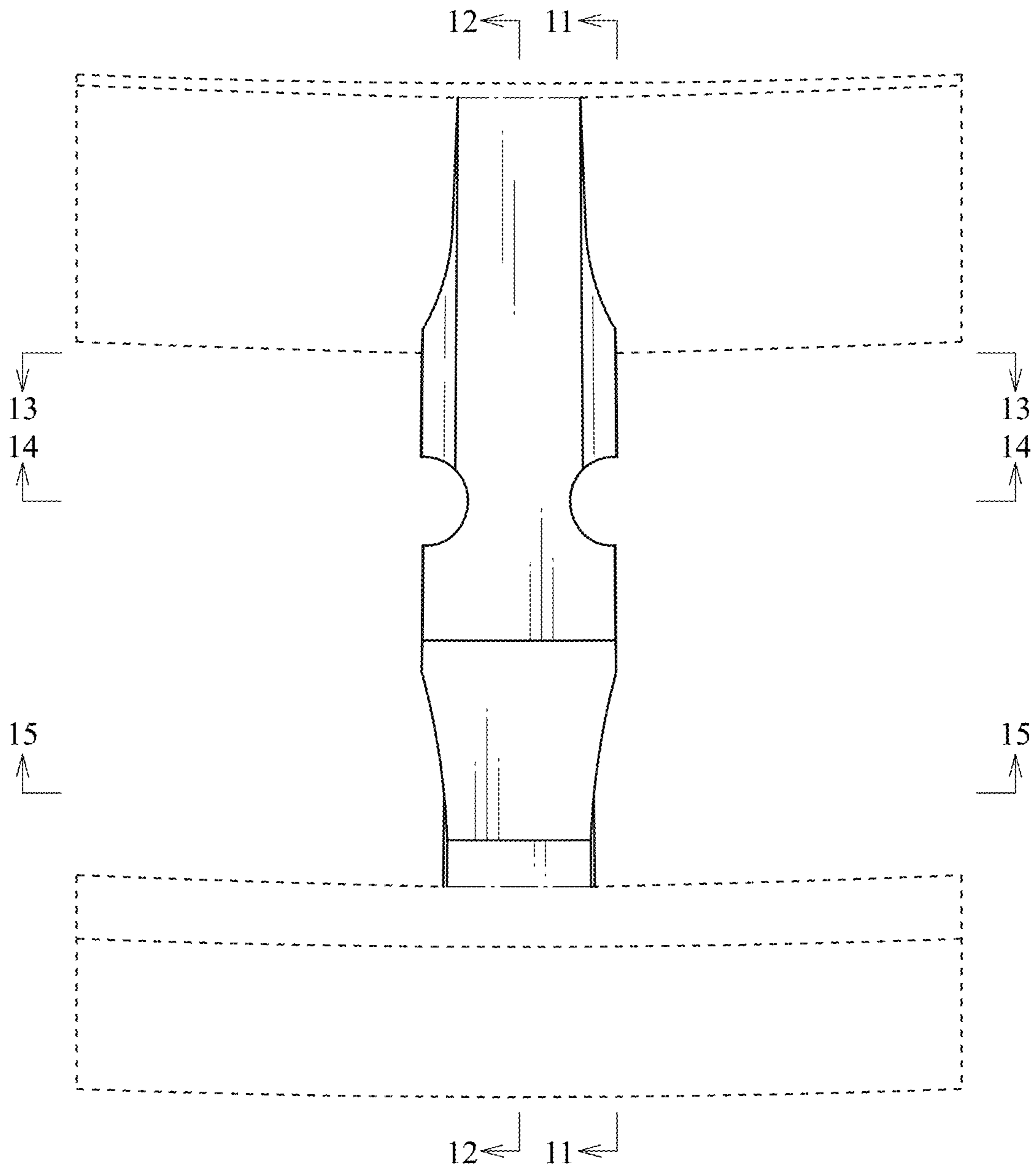


Fig. 9

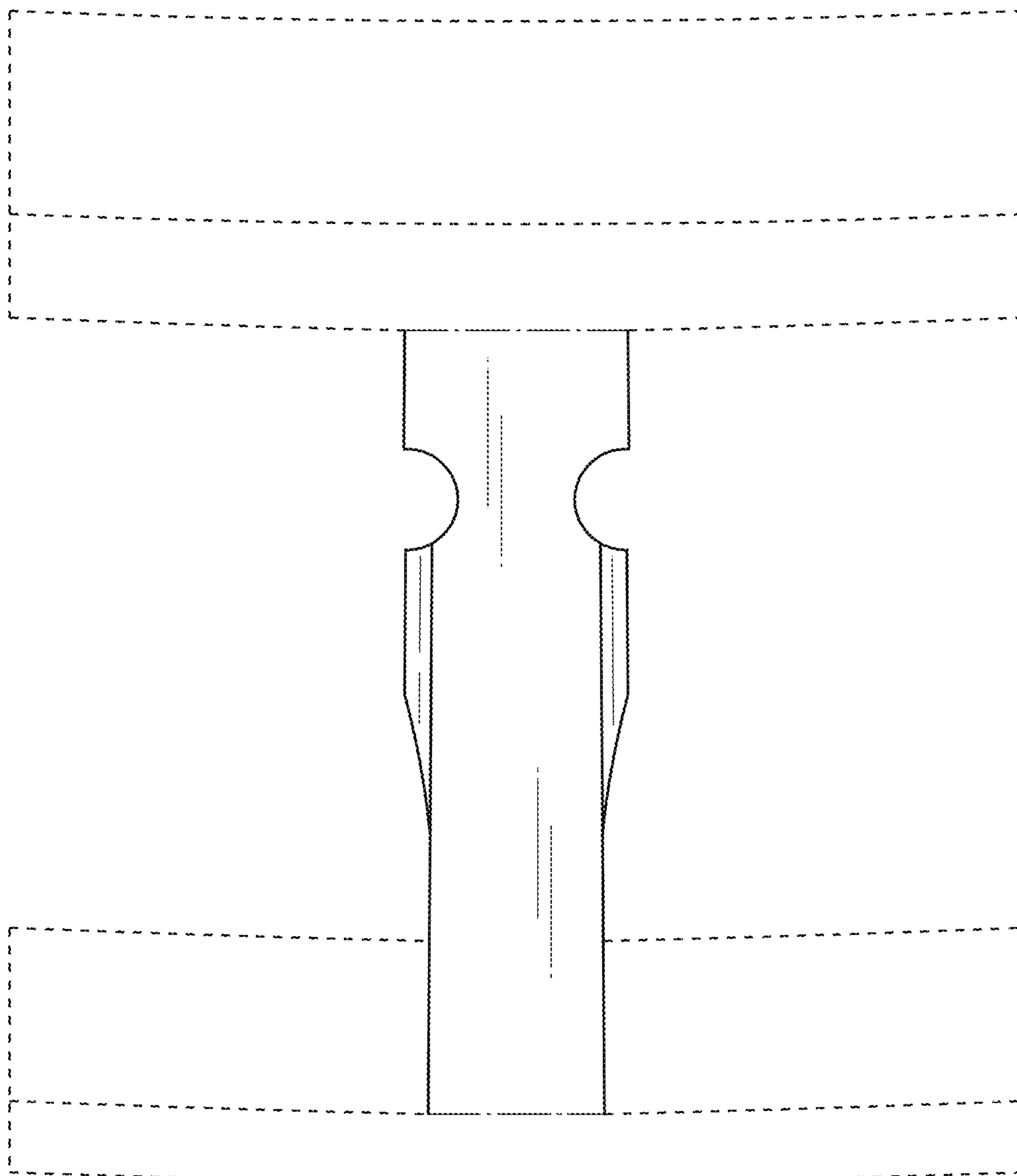


Fig. 10

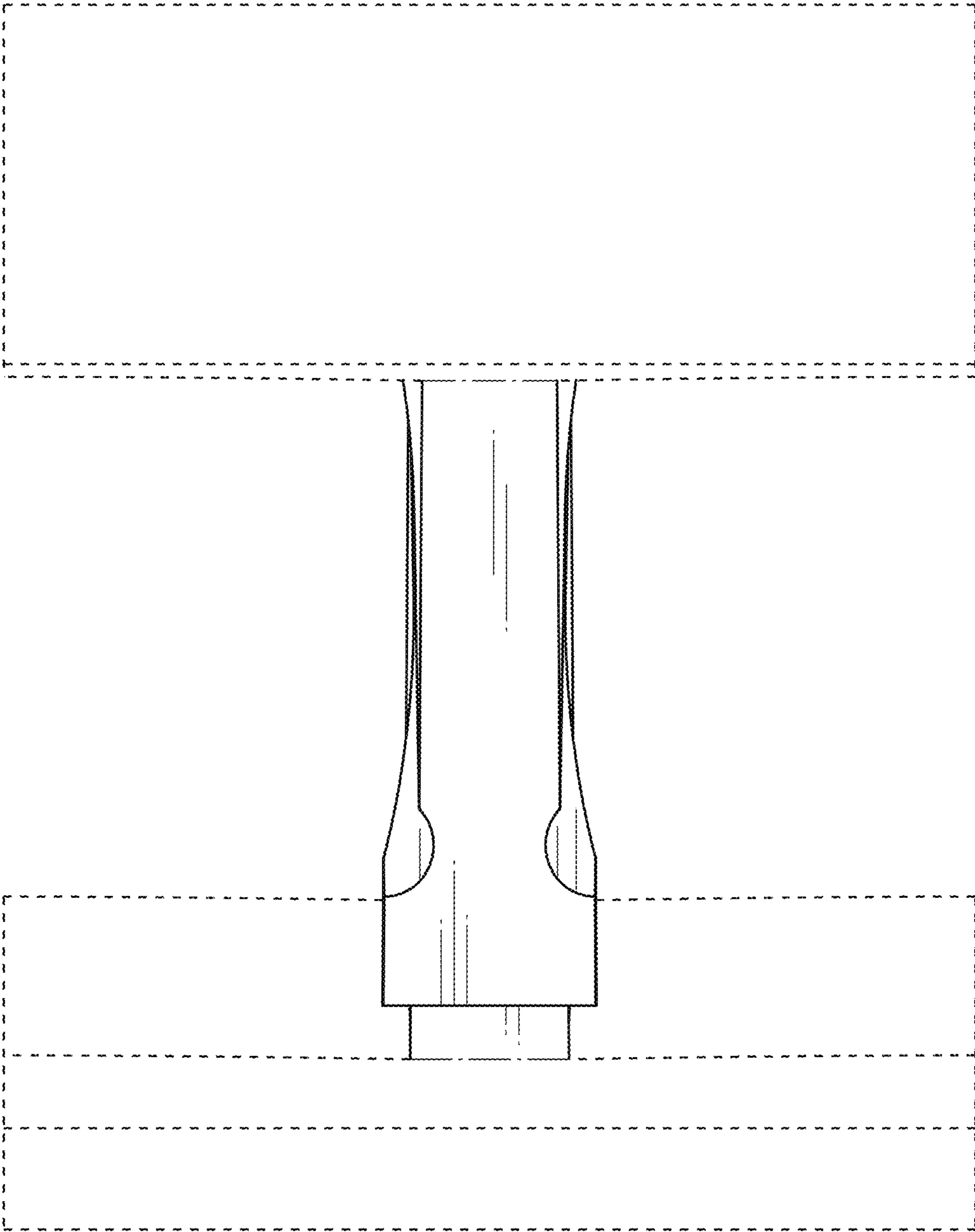


Fig. 11

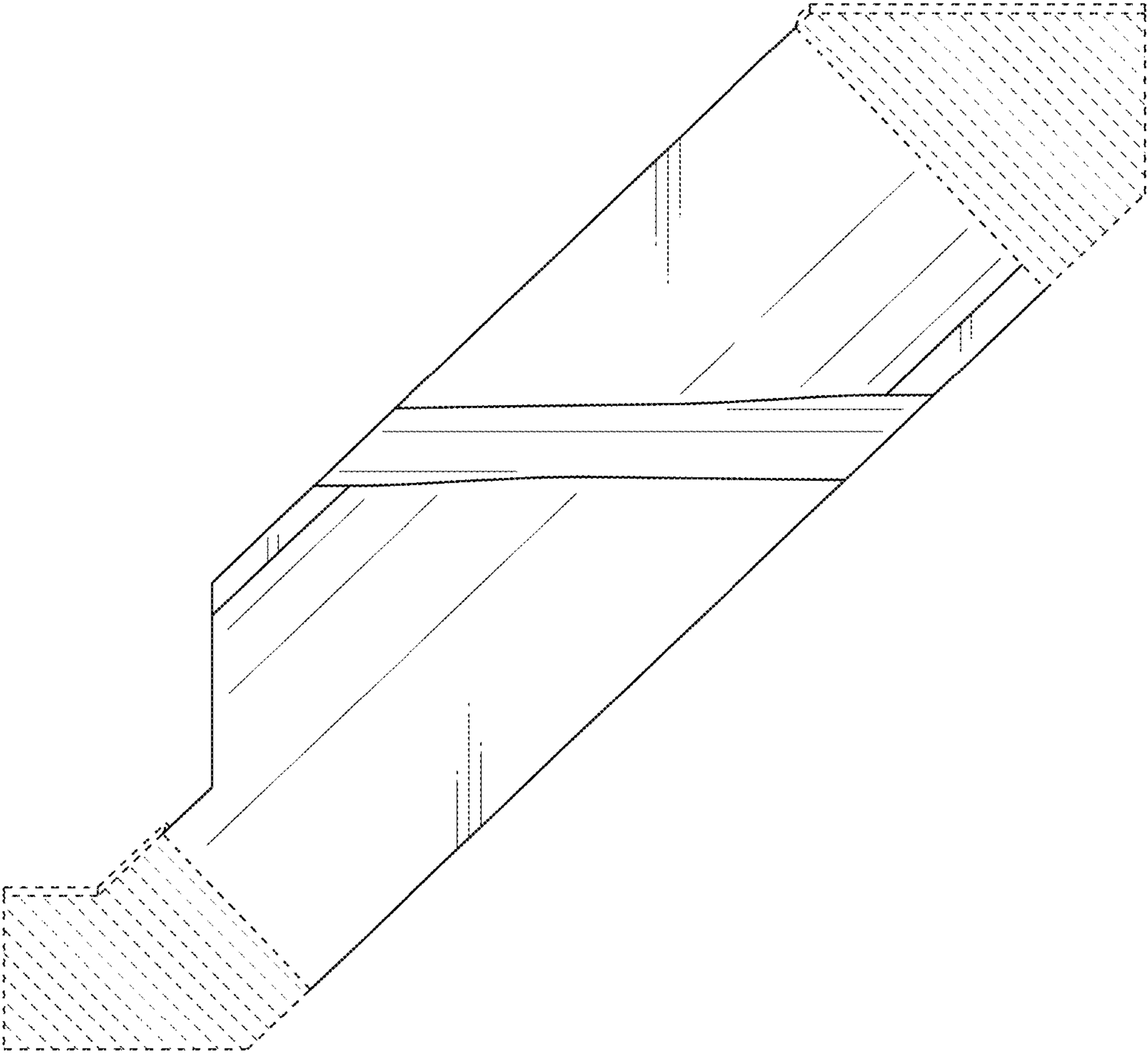


Fig. 12

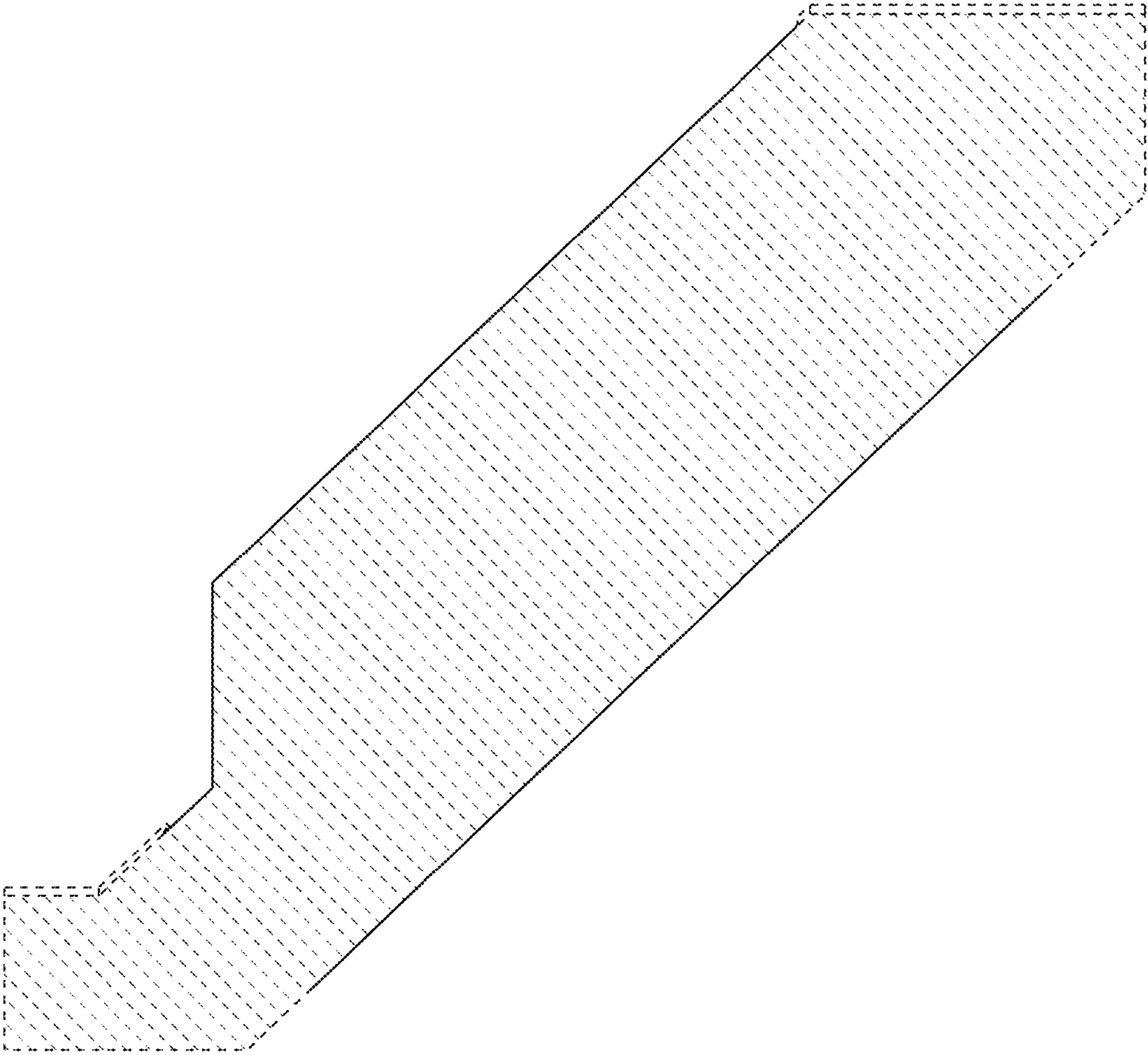


Fig. 13

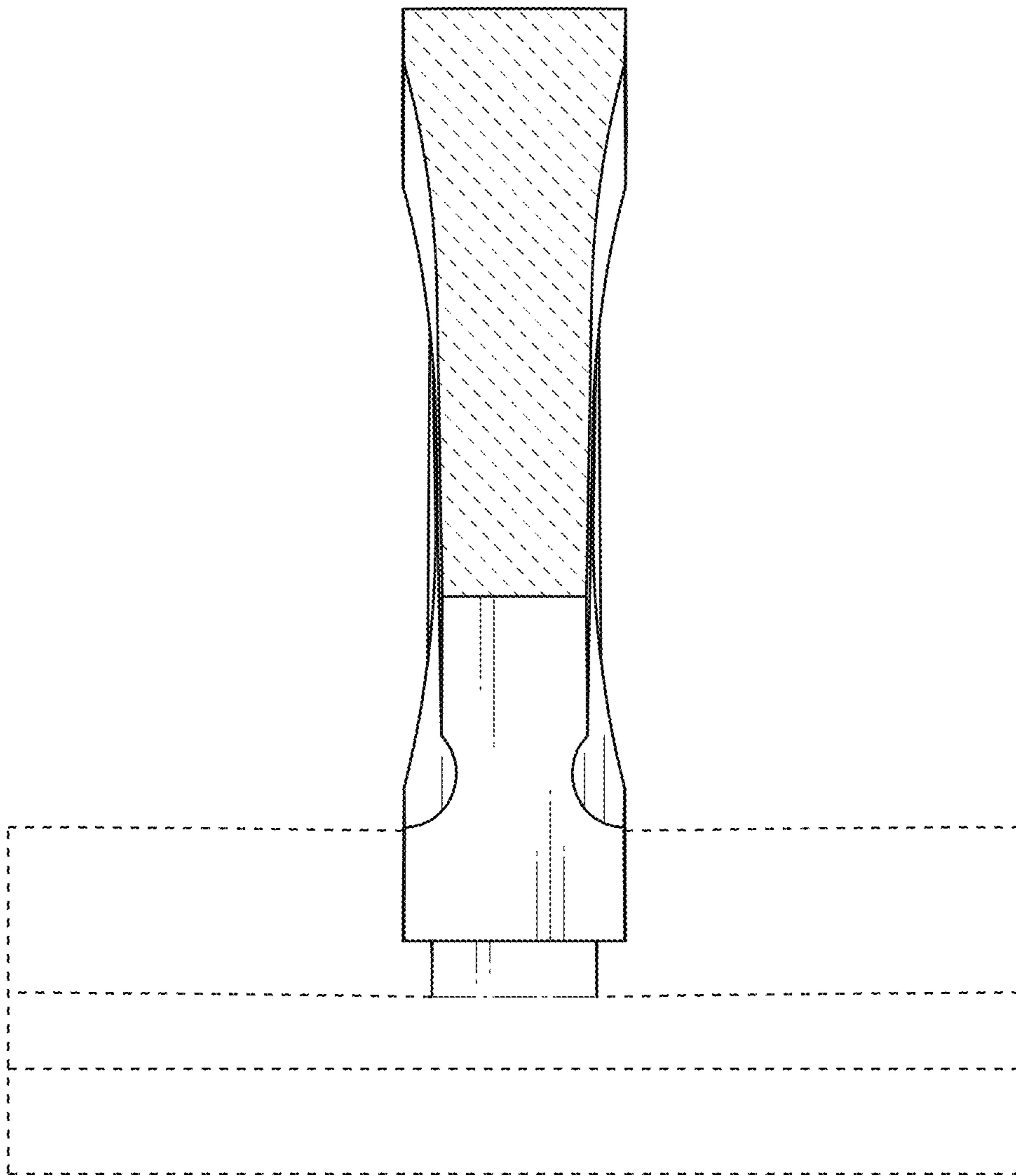


Fig. 14

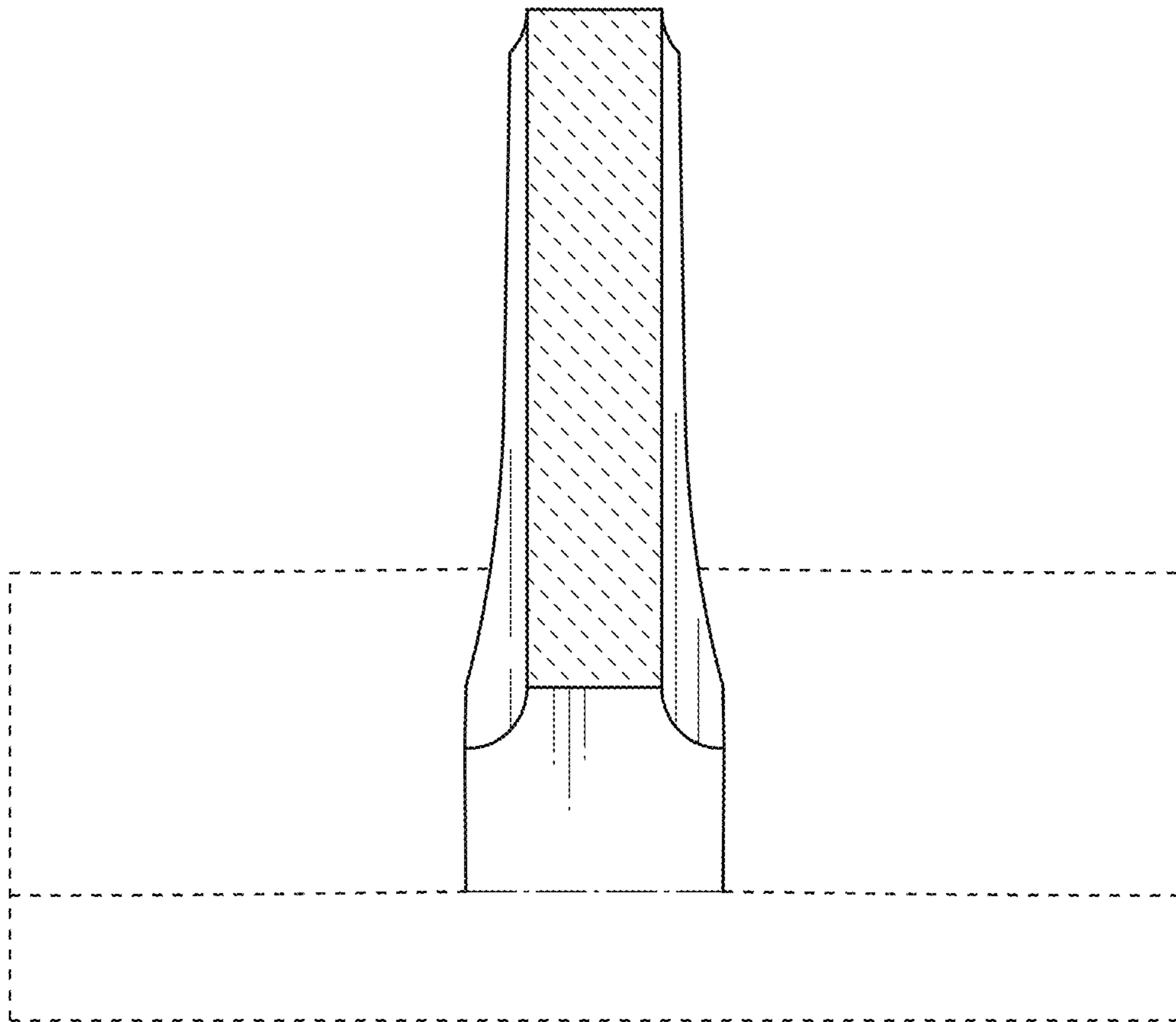


Fig. 15

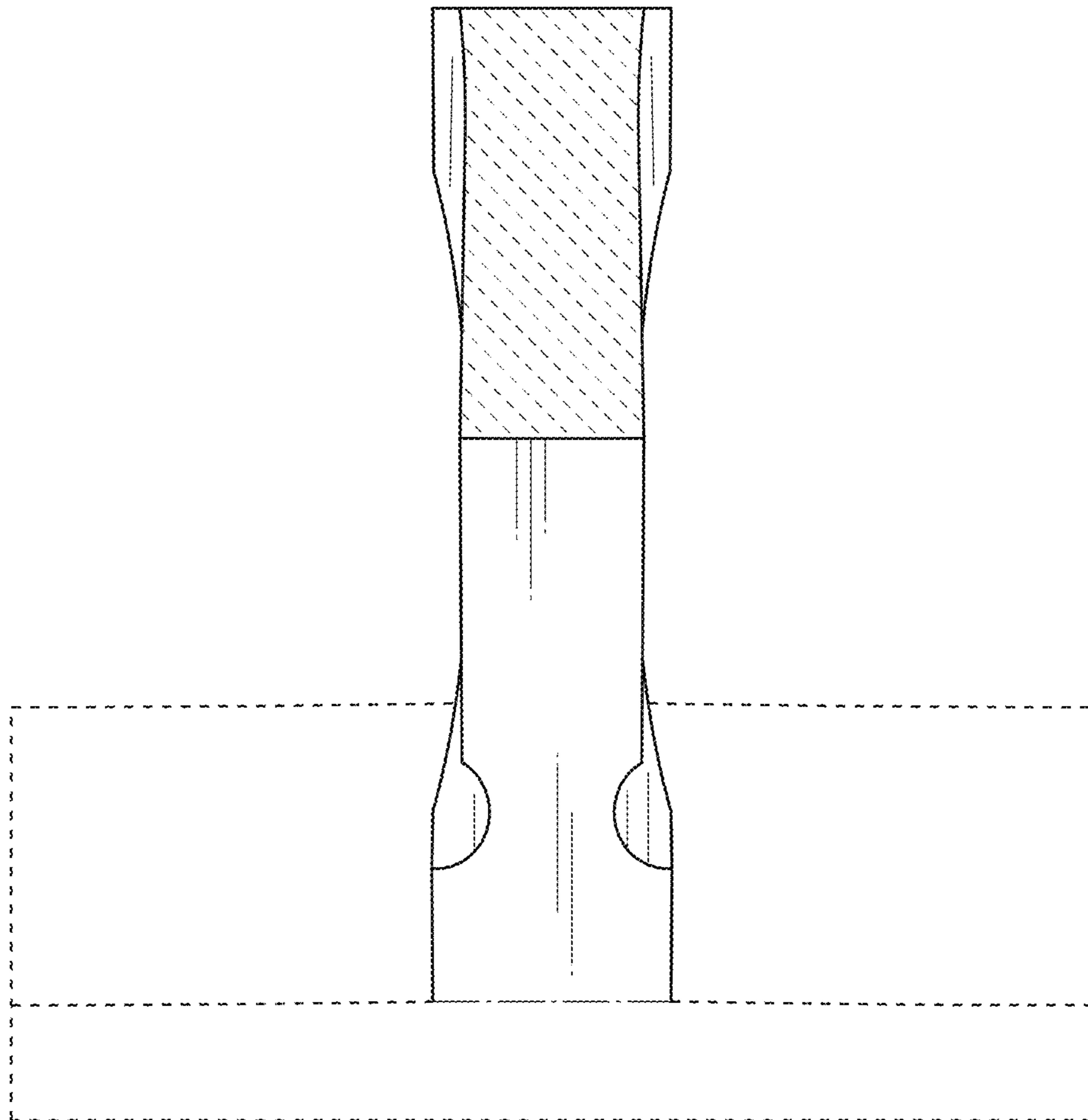


Fig. 16

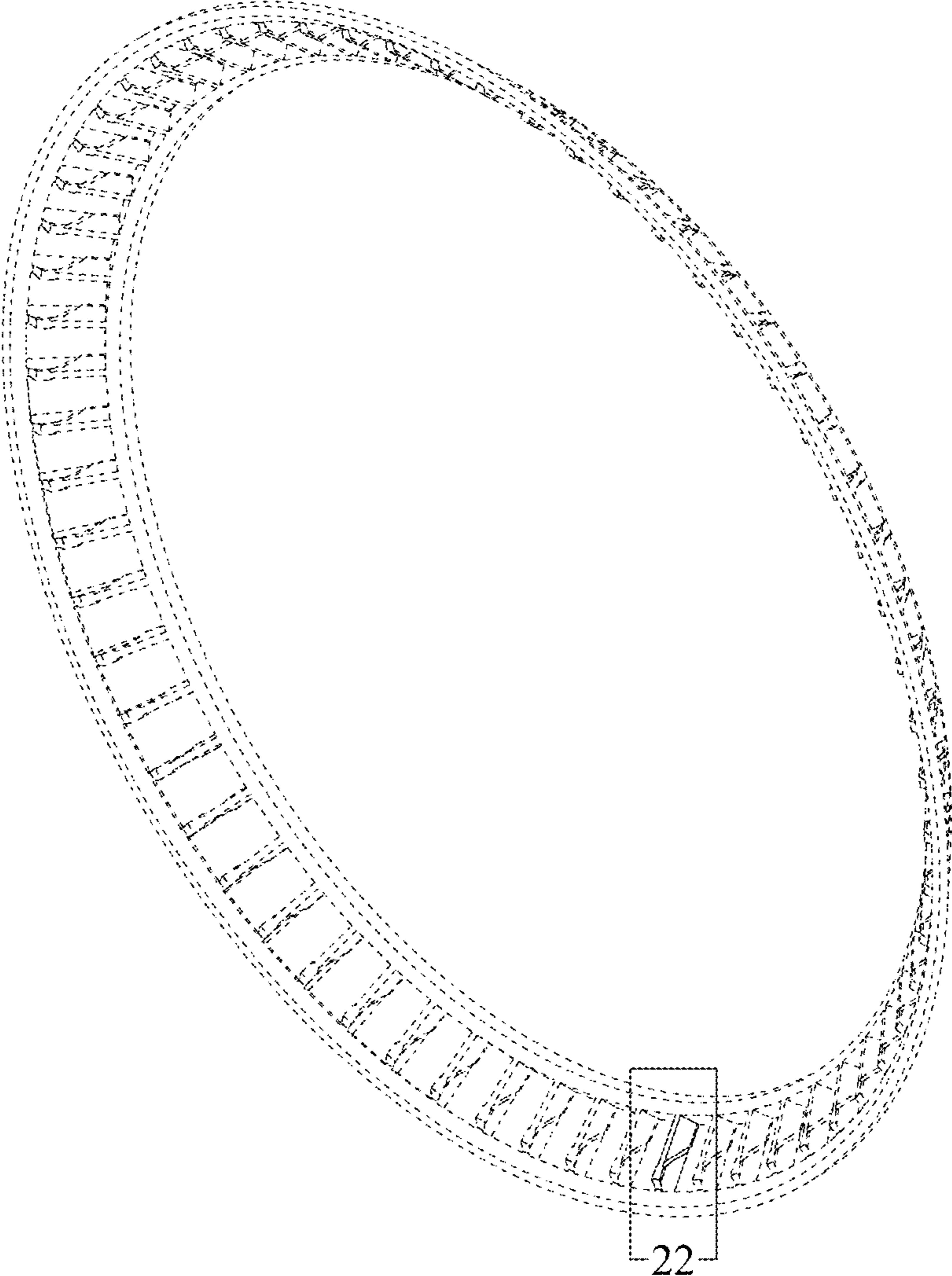


Fig. 17

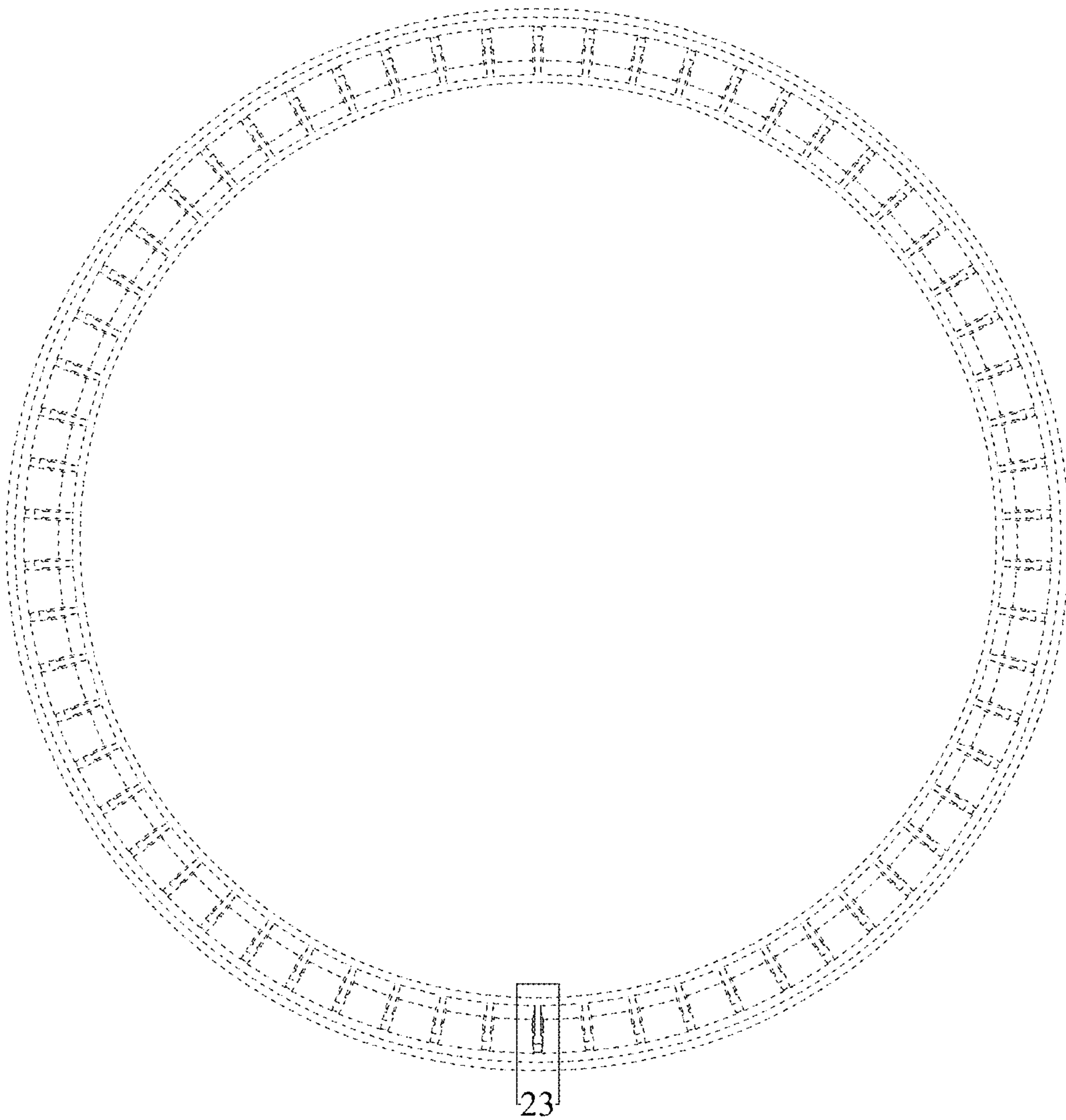


Fig. 18

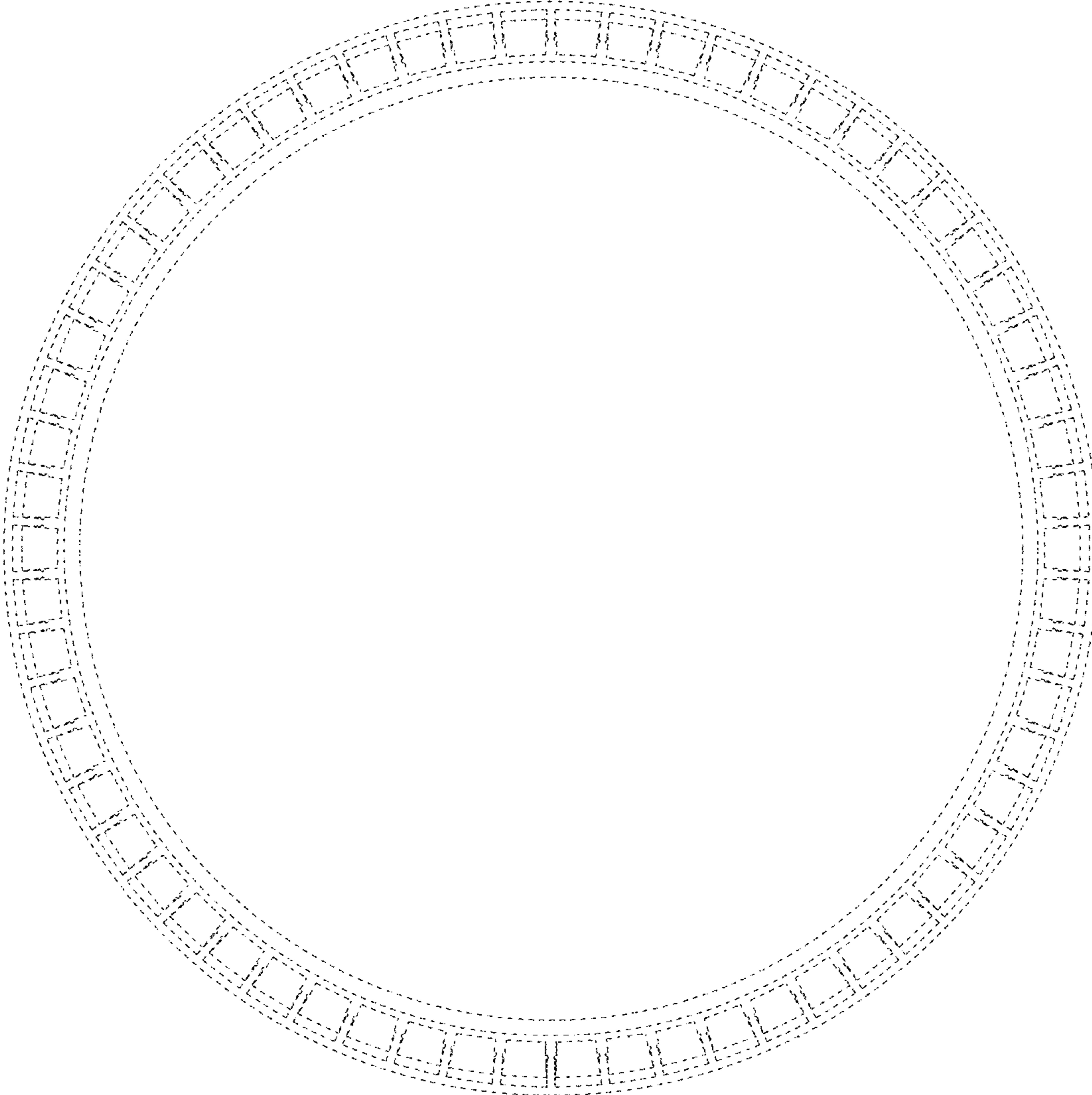


Fig. 19

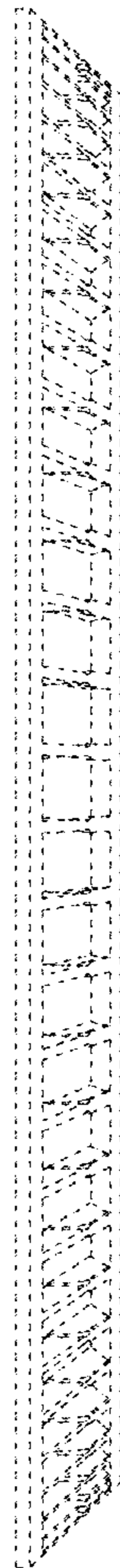


Fig. 20

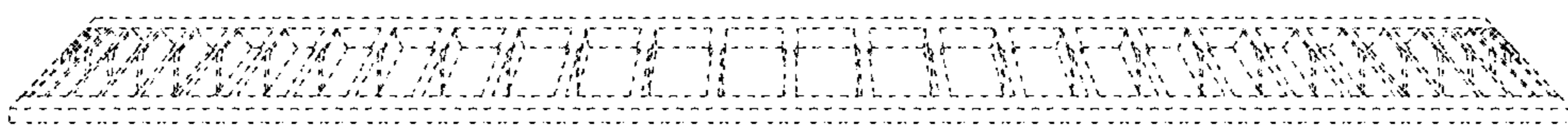


Fig. 21

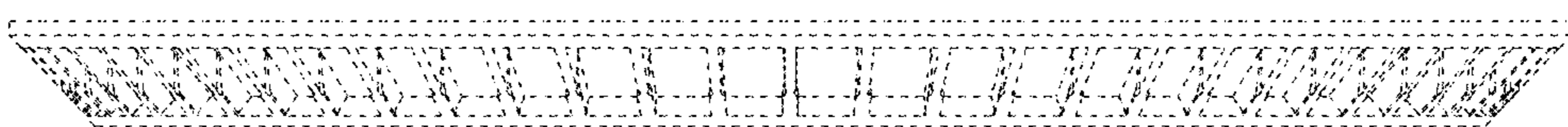


Fig. 22

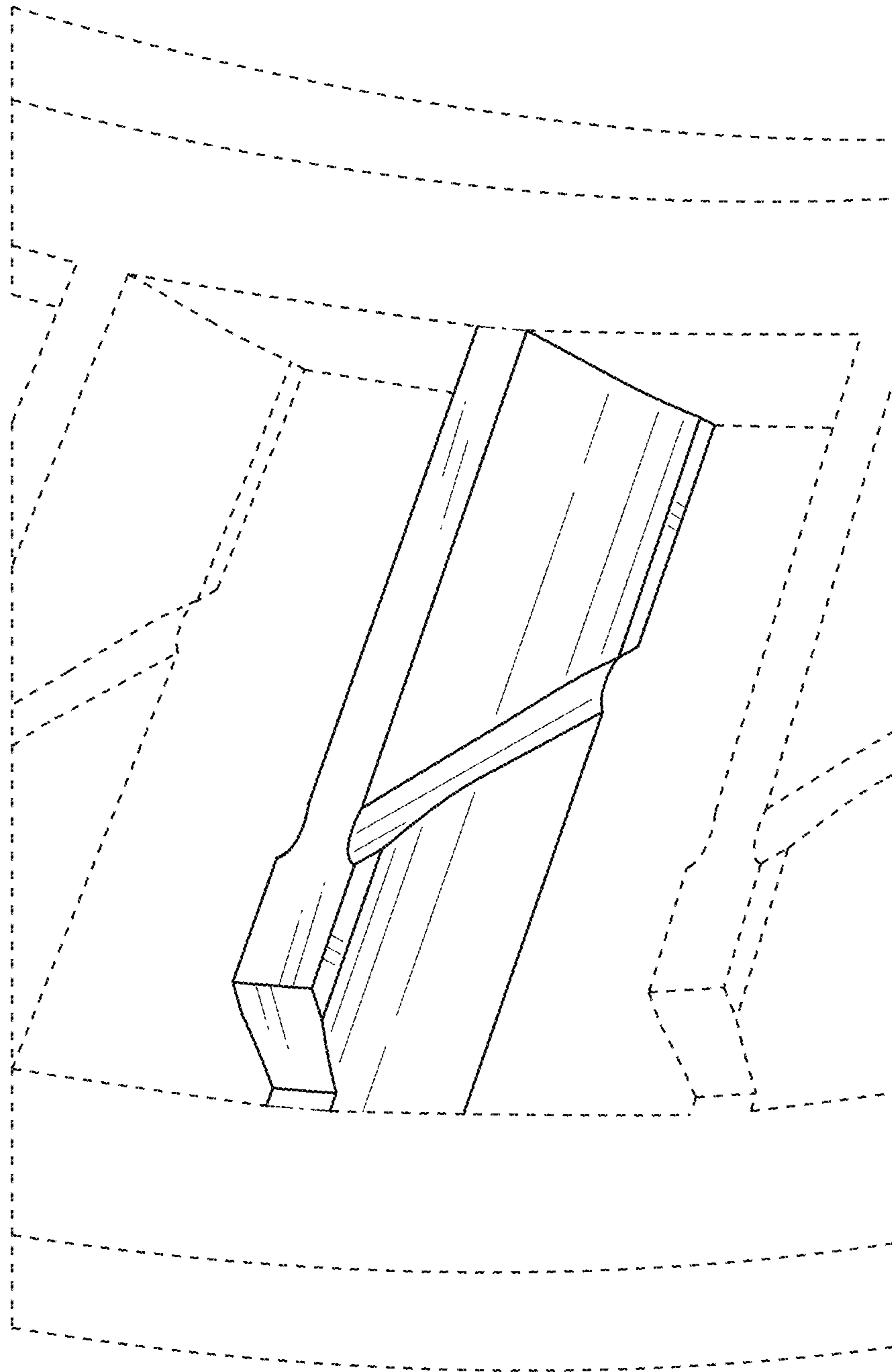


Fig. 23

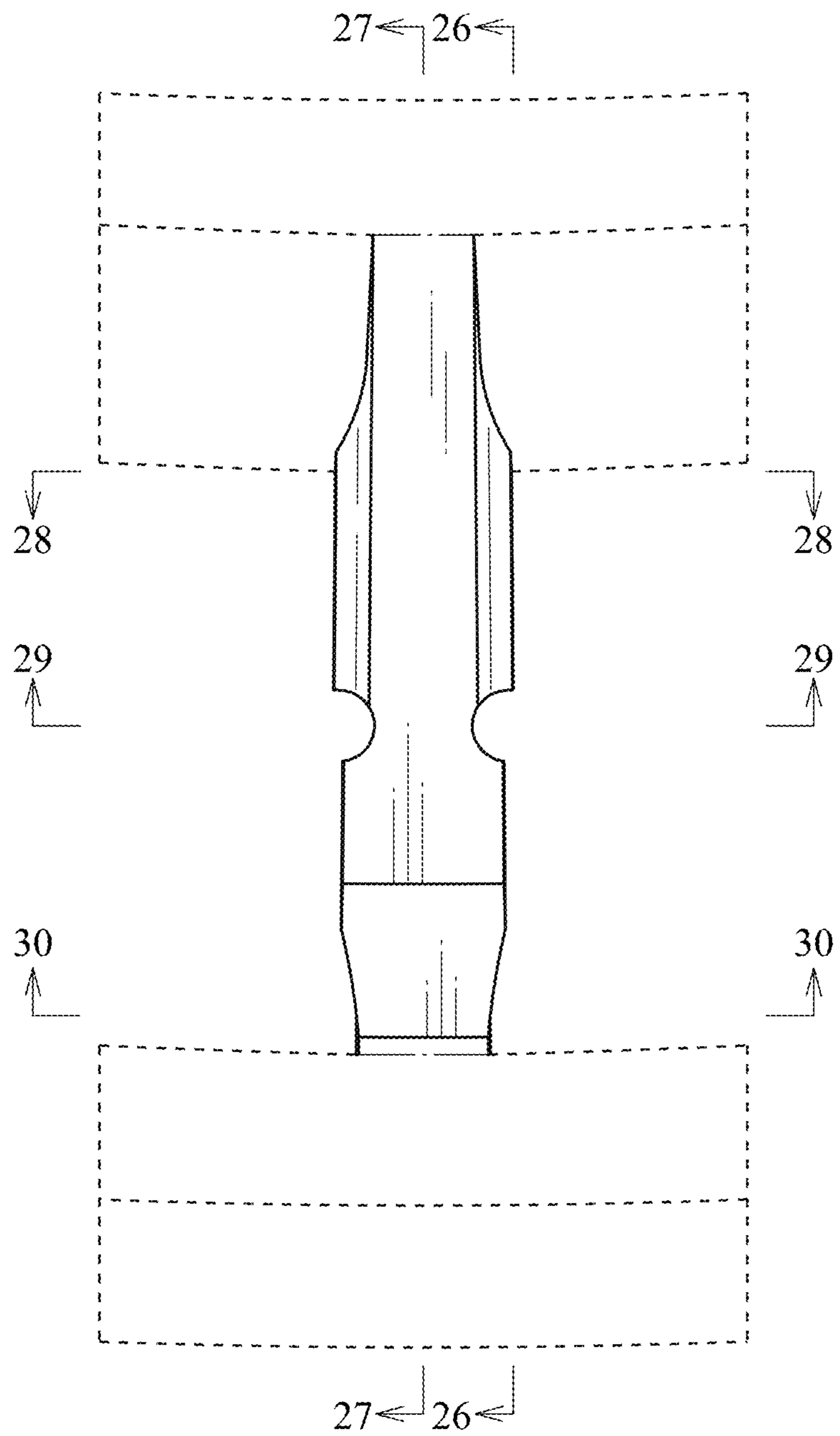


Fig. 24

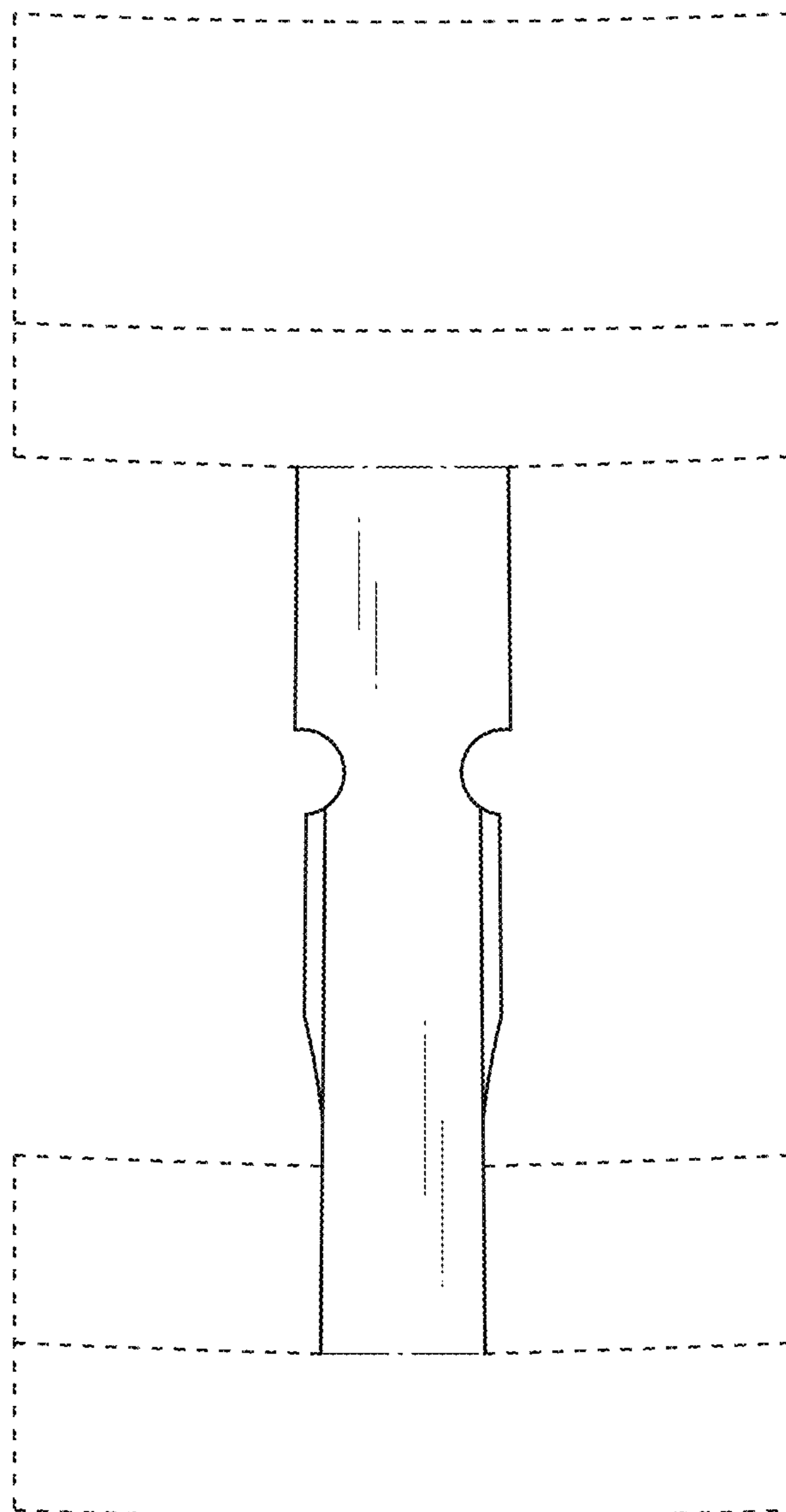


Fig. 25

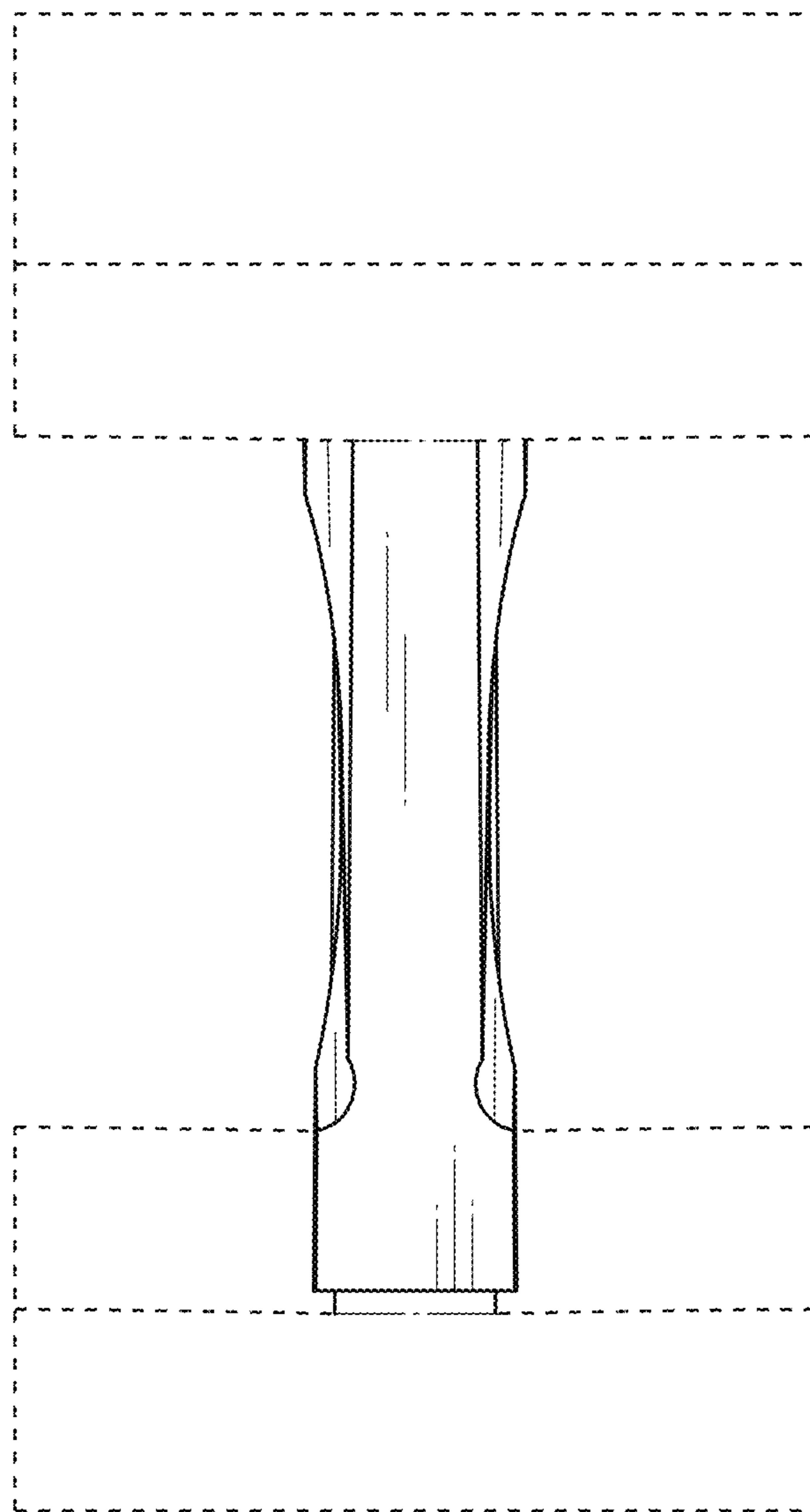


Fig. 26

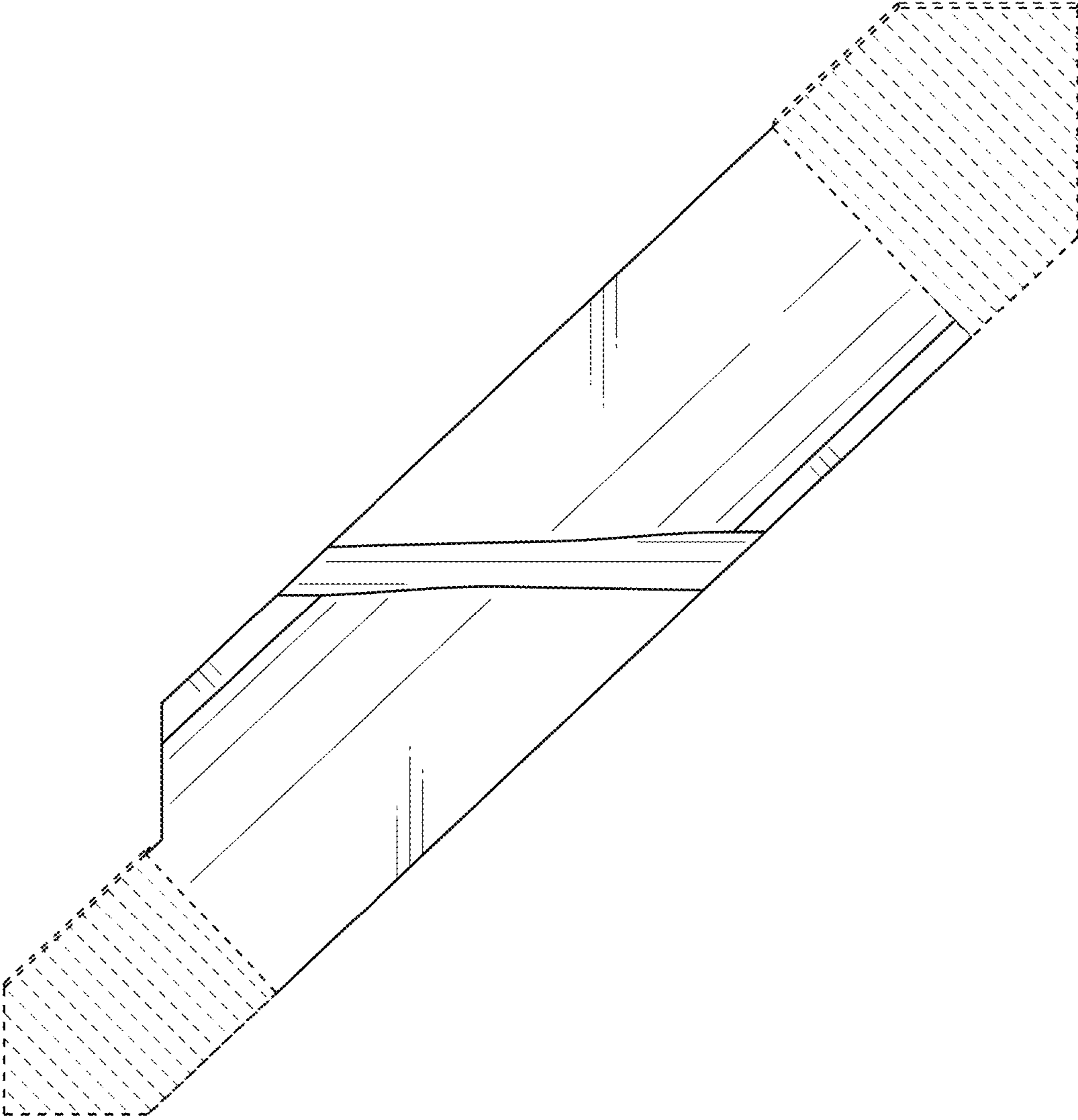


Fig. 27

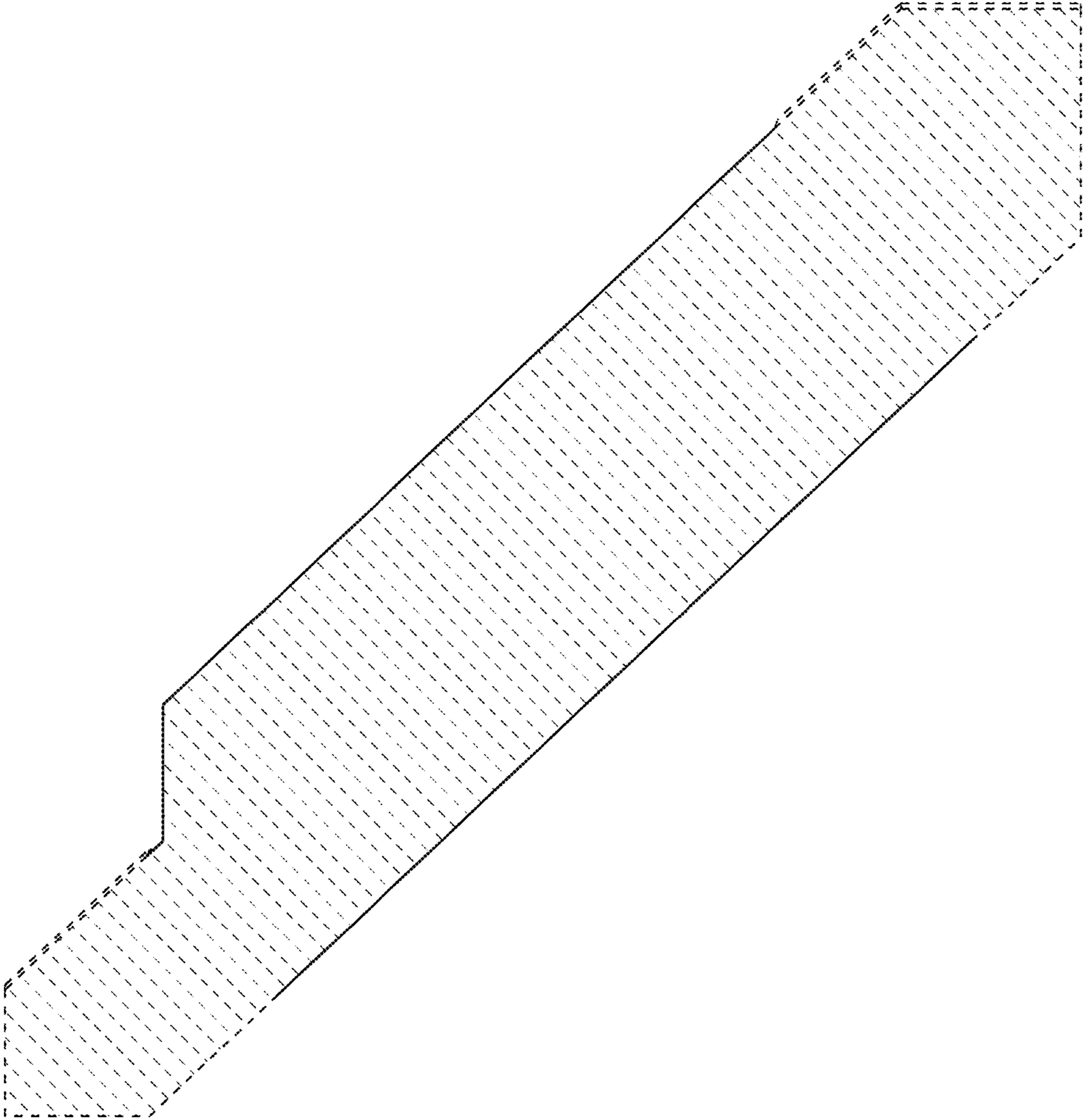


Fig. 28

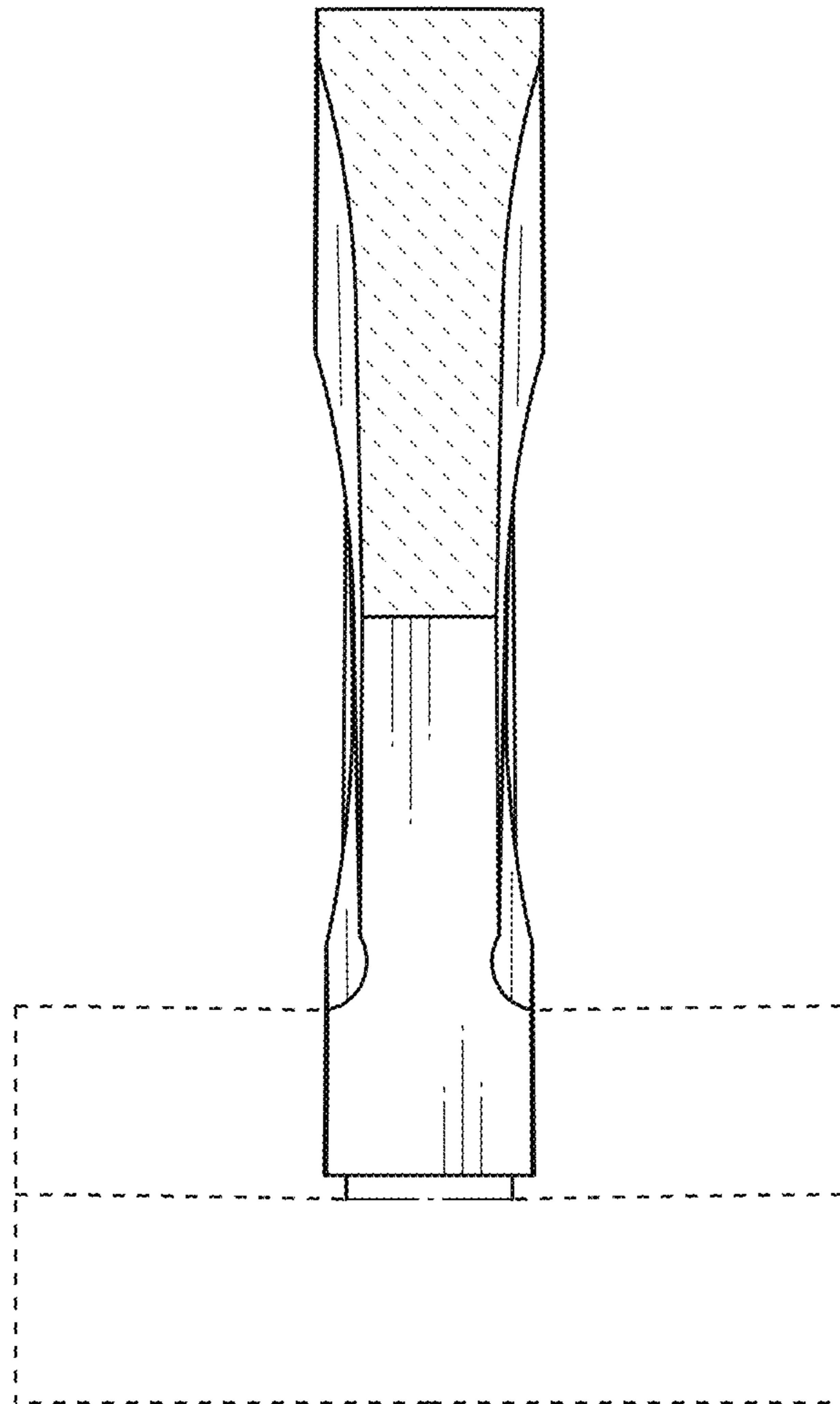


Fig. 29

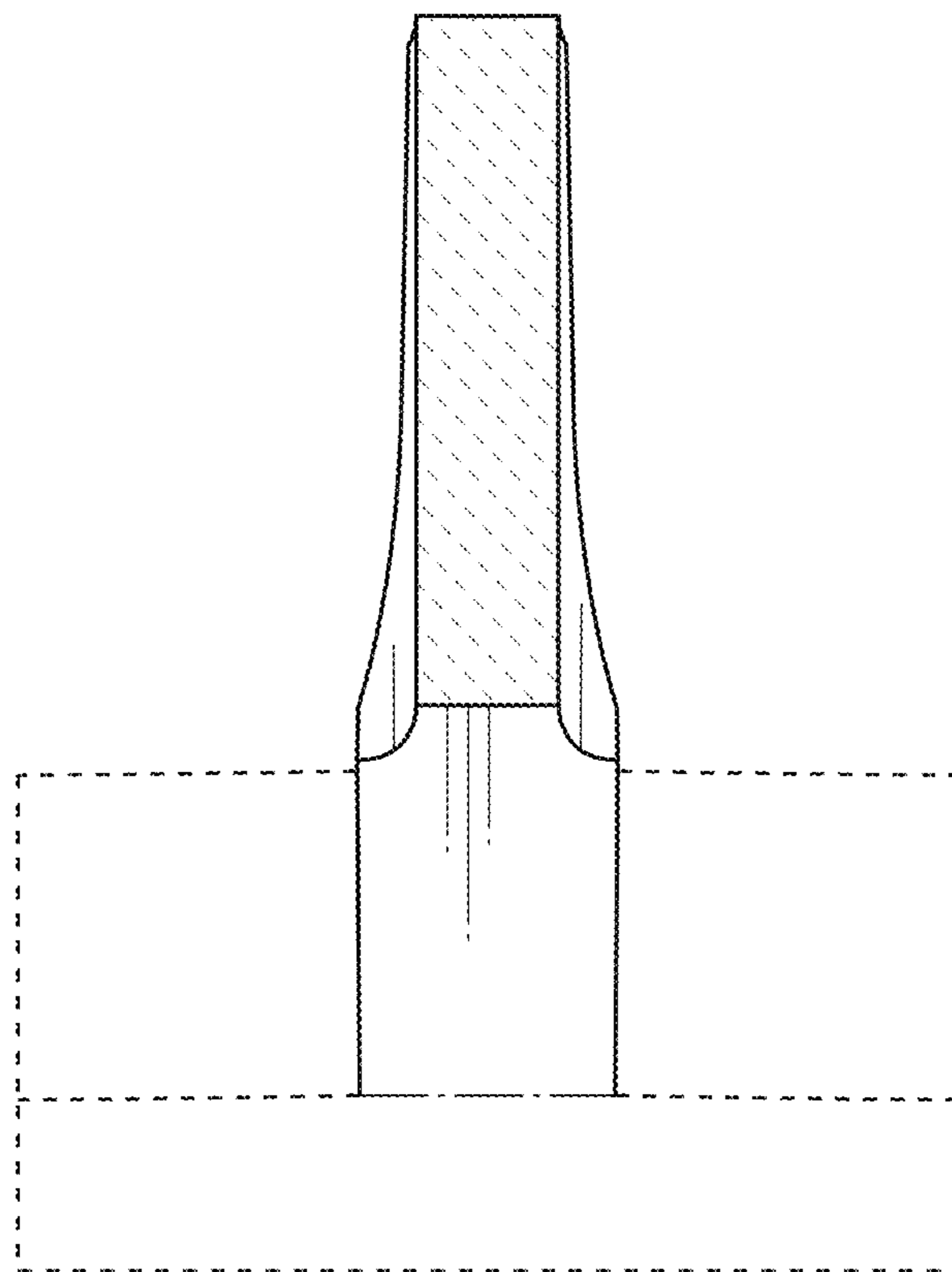


Fig. 30

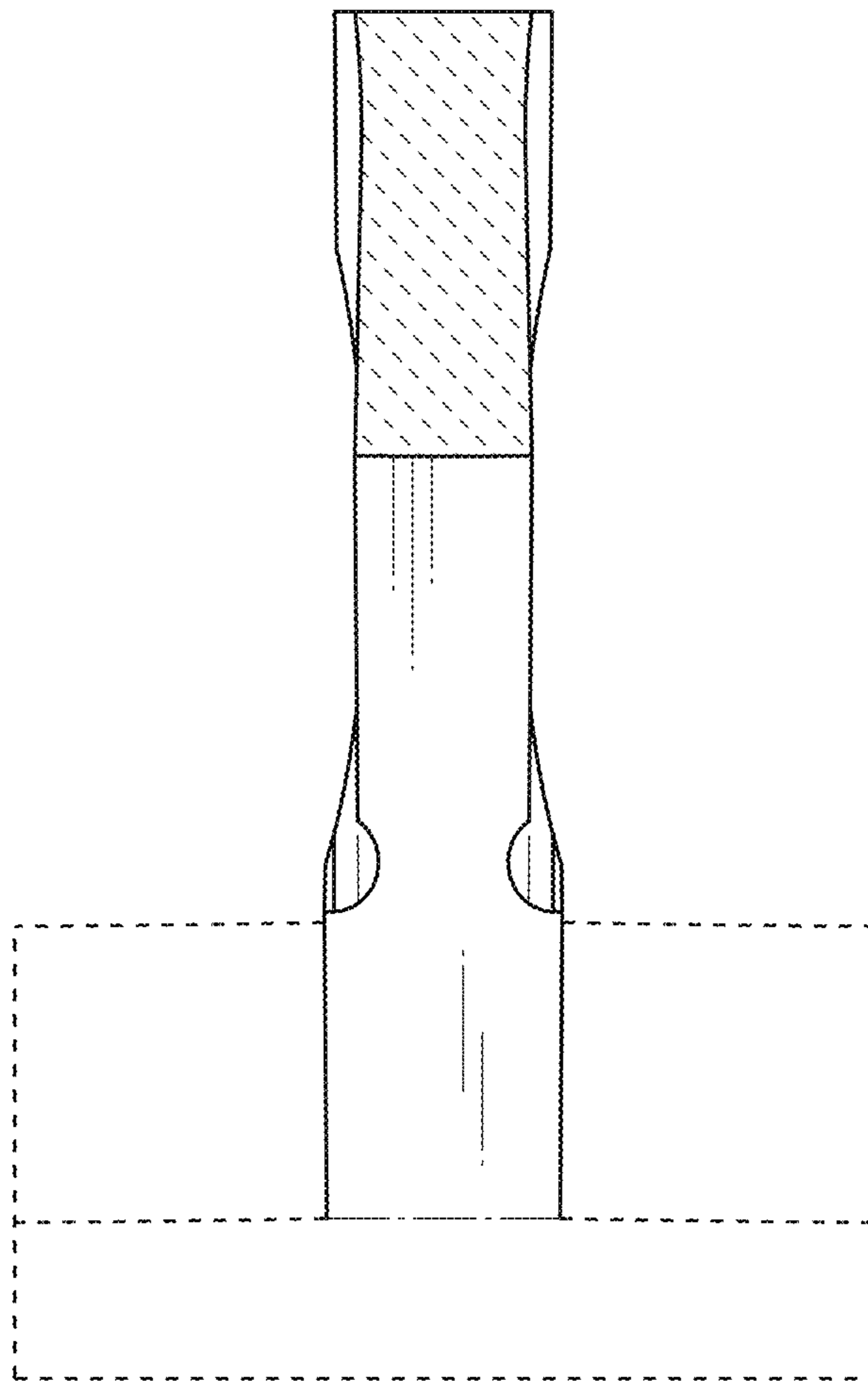


Fig. 31

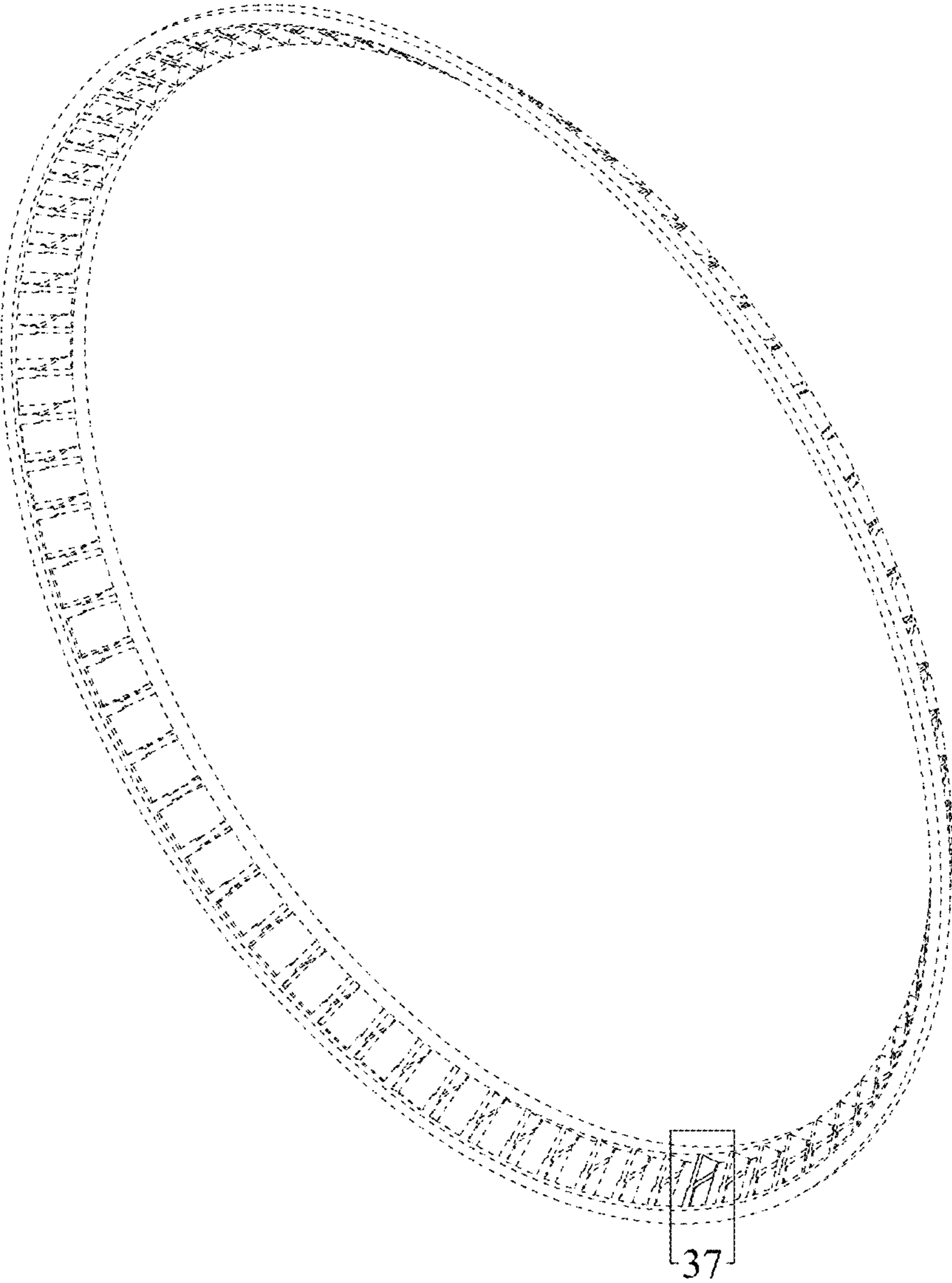


Fig. 32

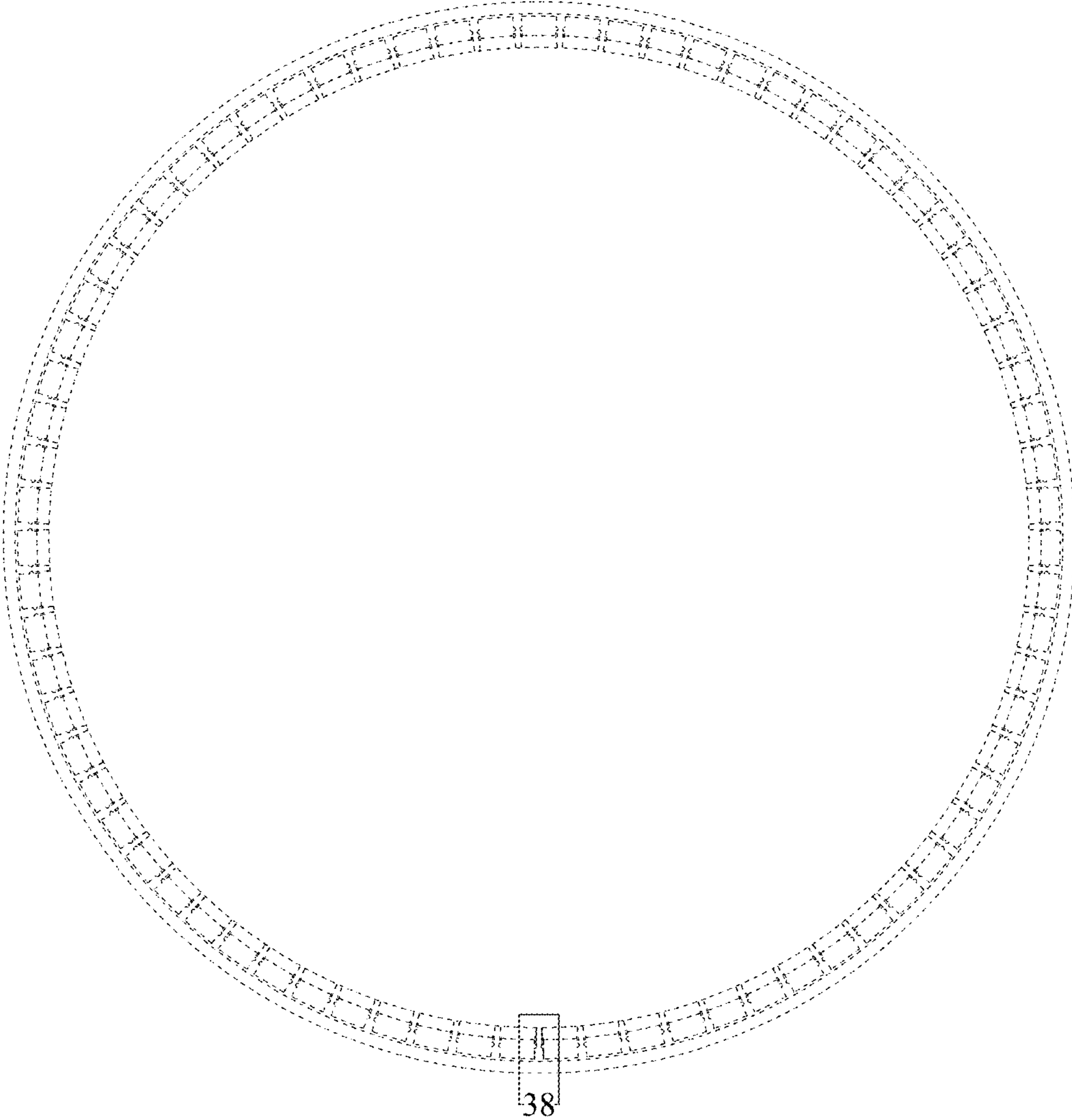


Fig. 33

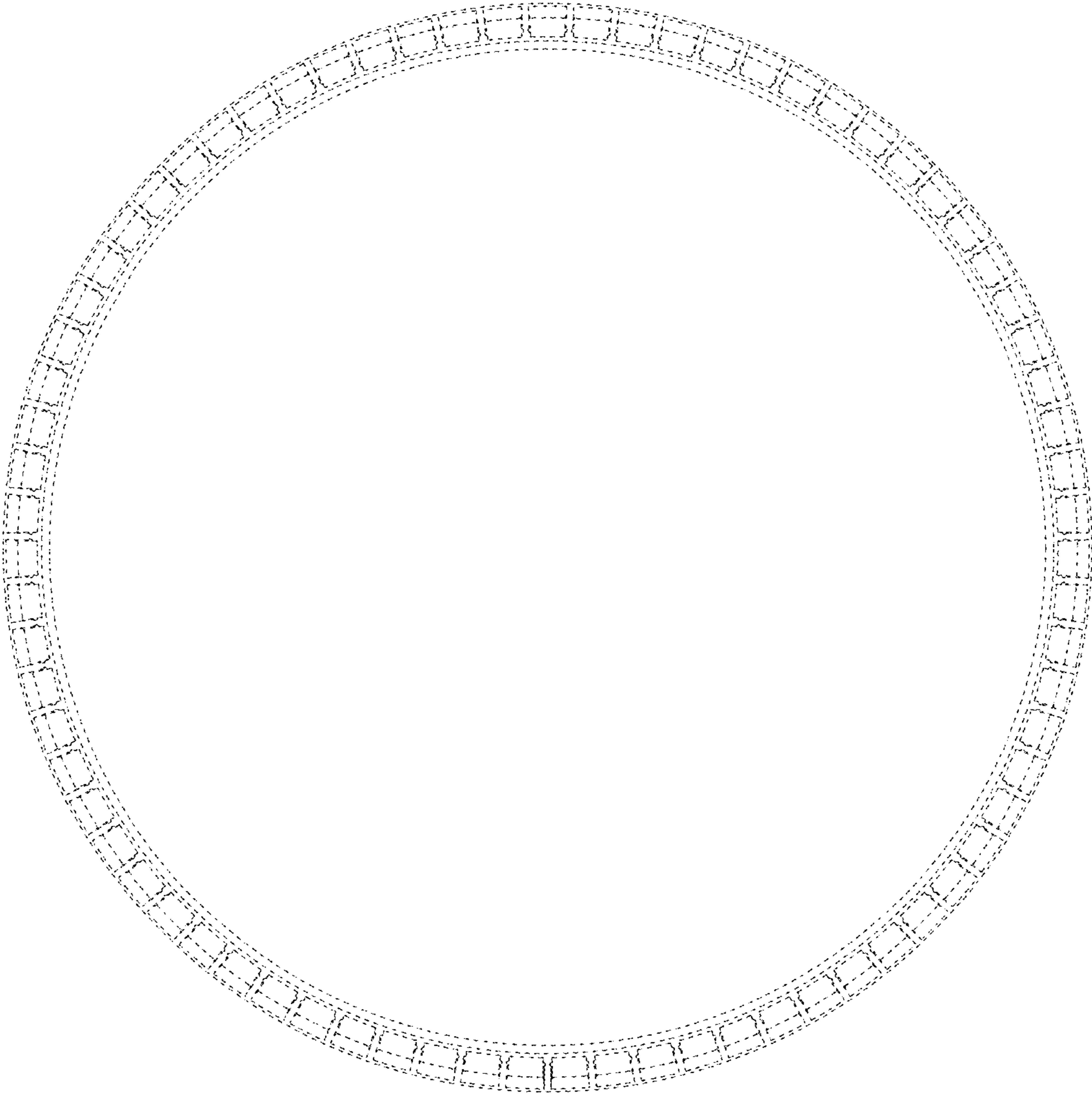


Fig. 34

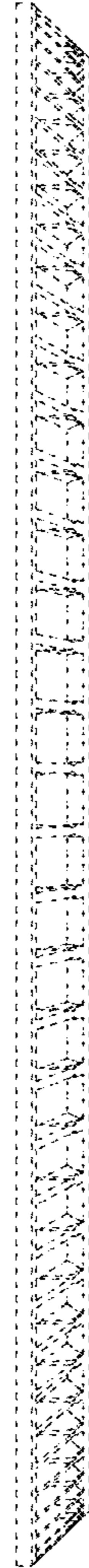


Fig. 35

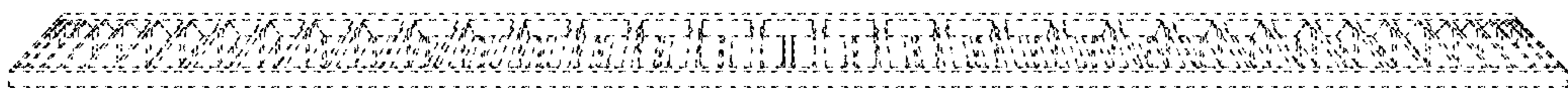


Fig. 36

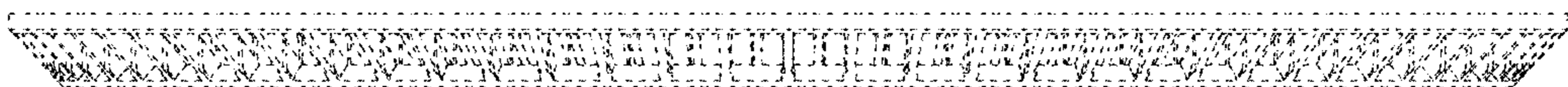


Fig. 37

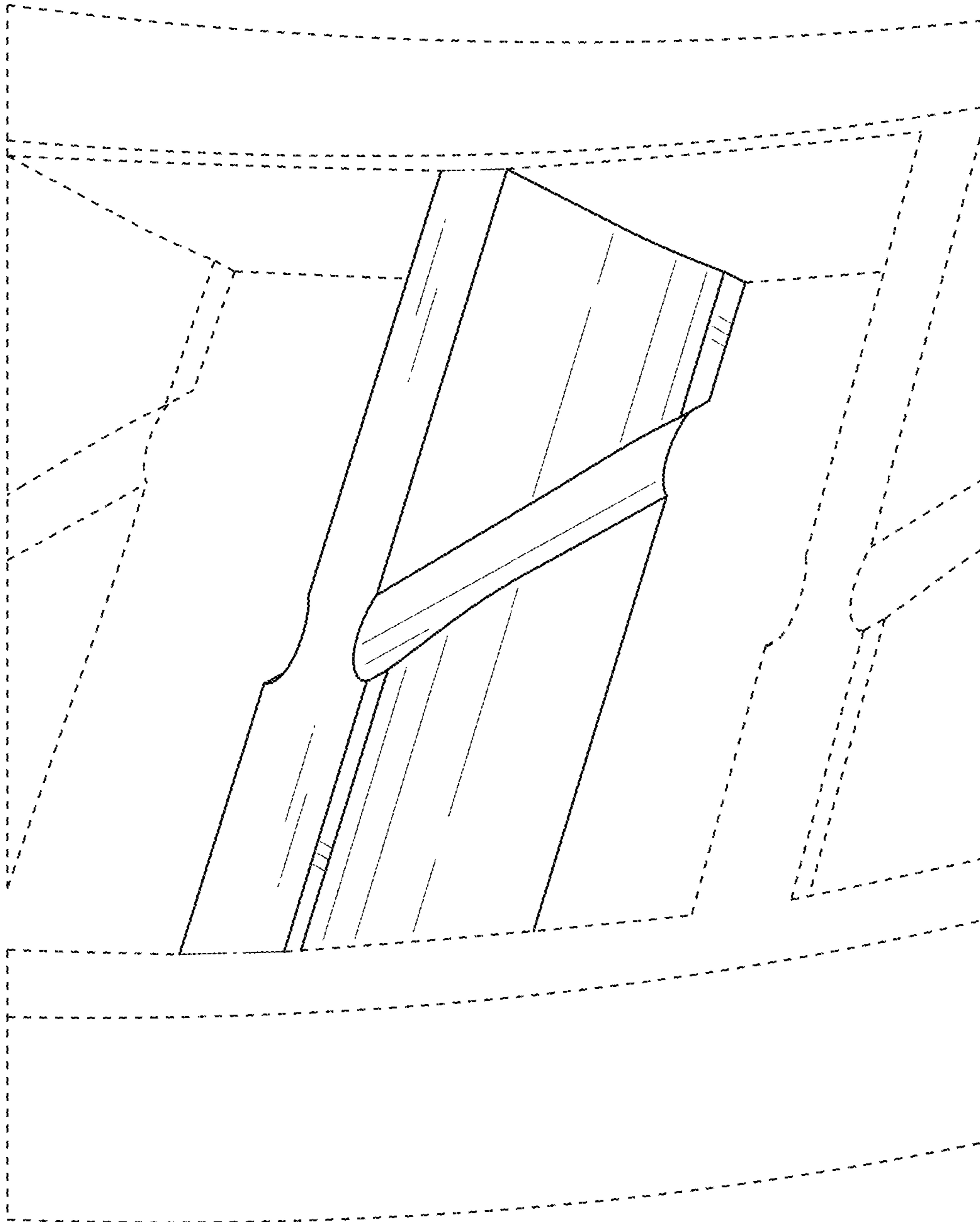


Fig. 38

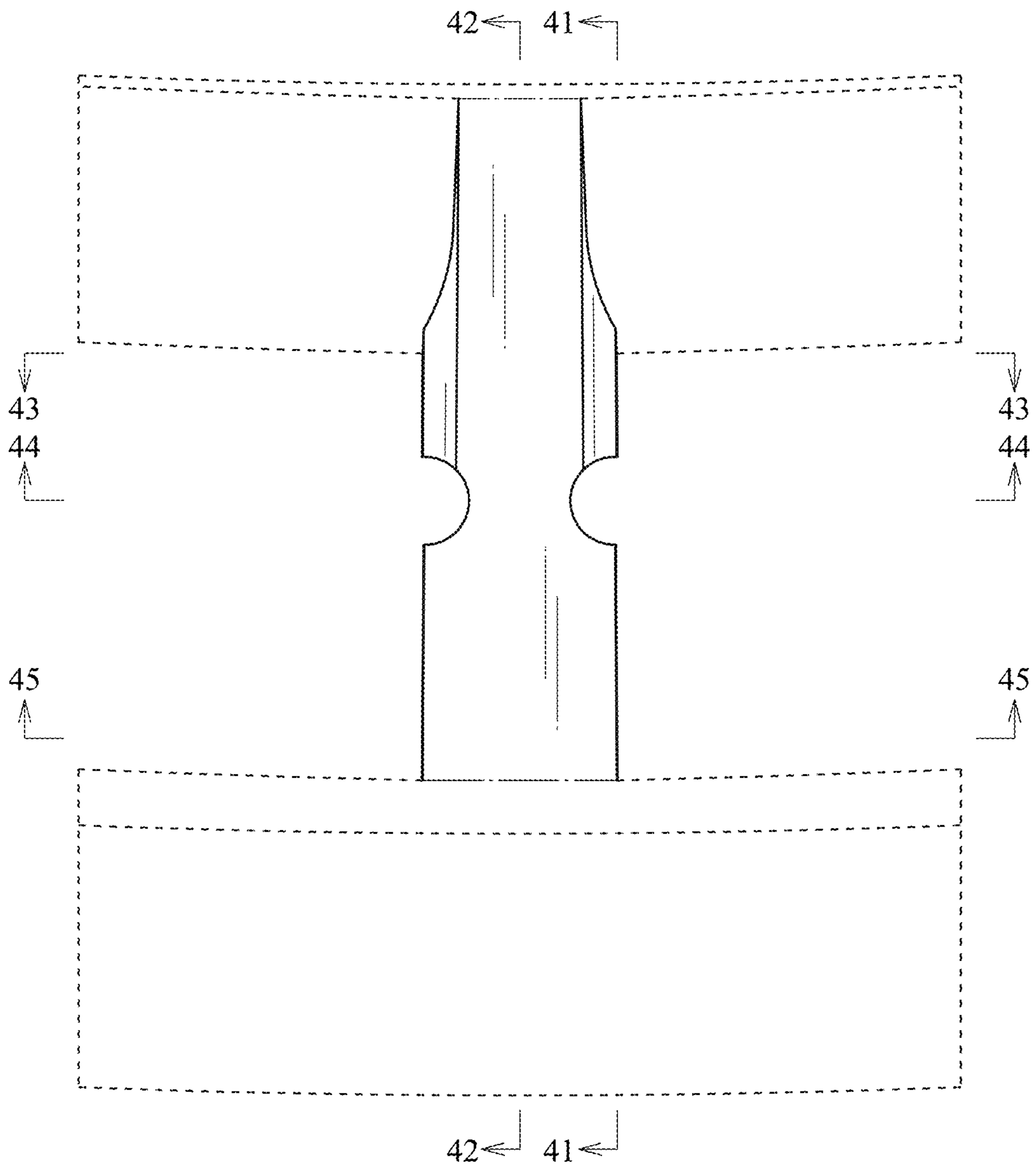


Fig. 39

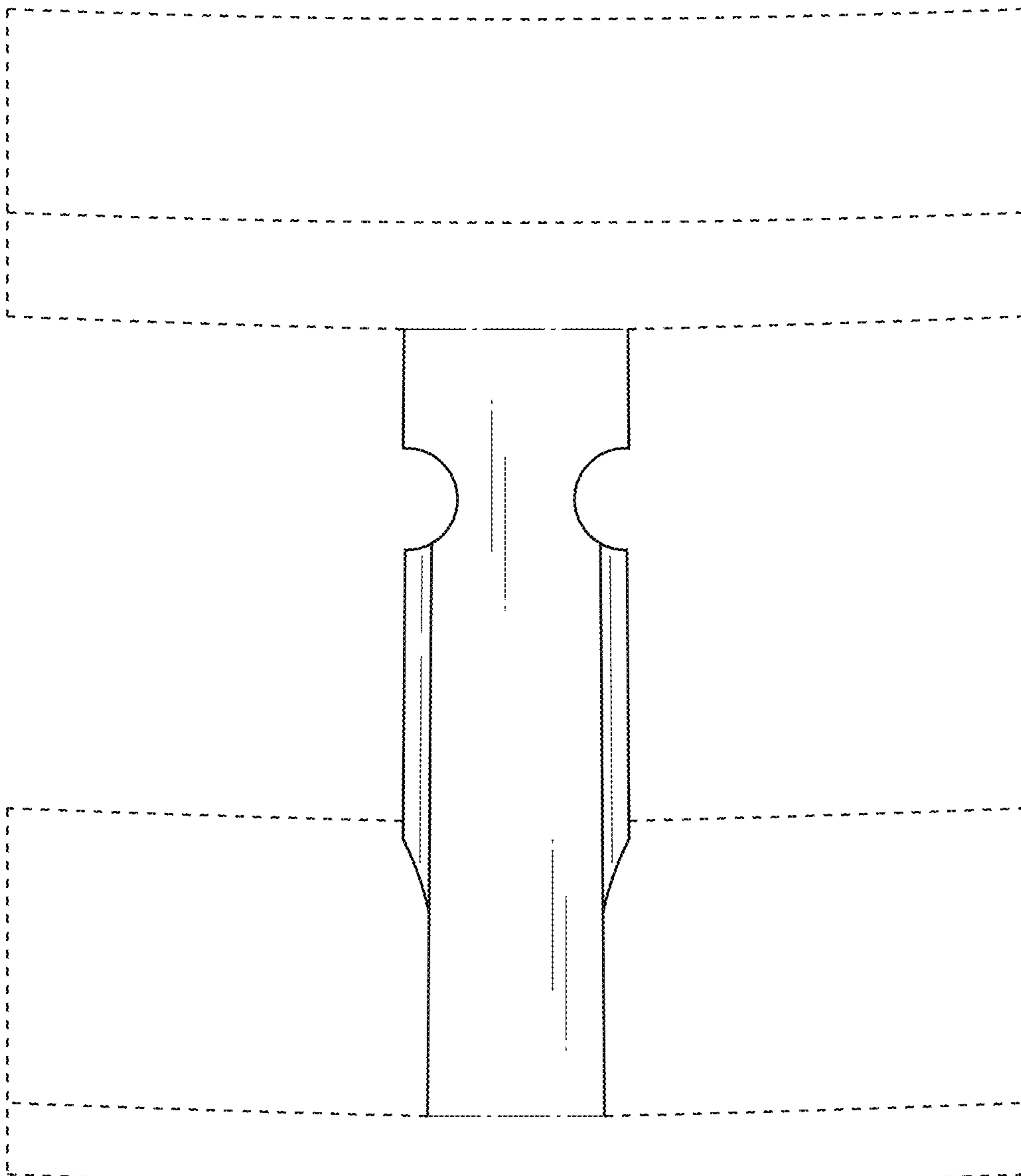


Fig. 40

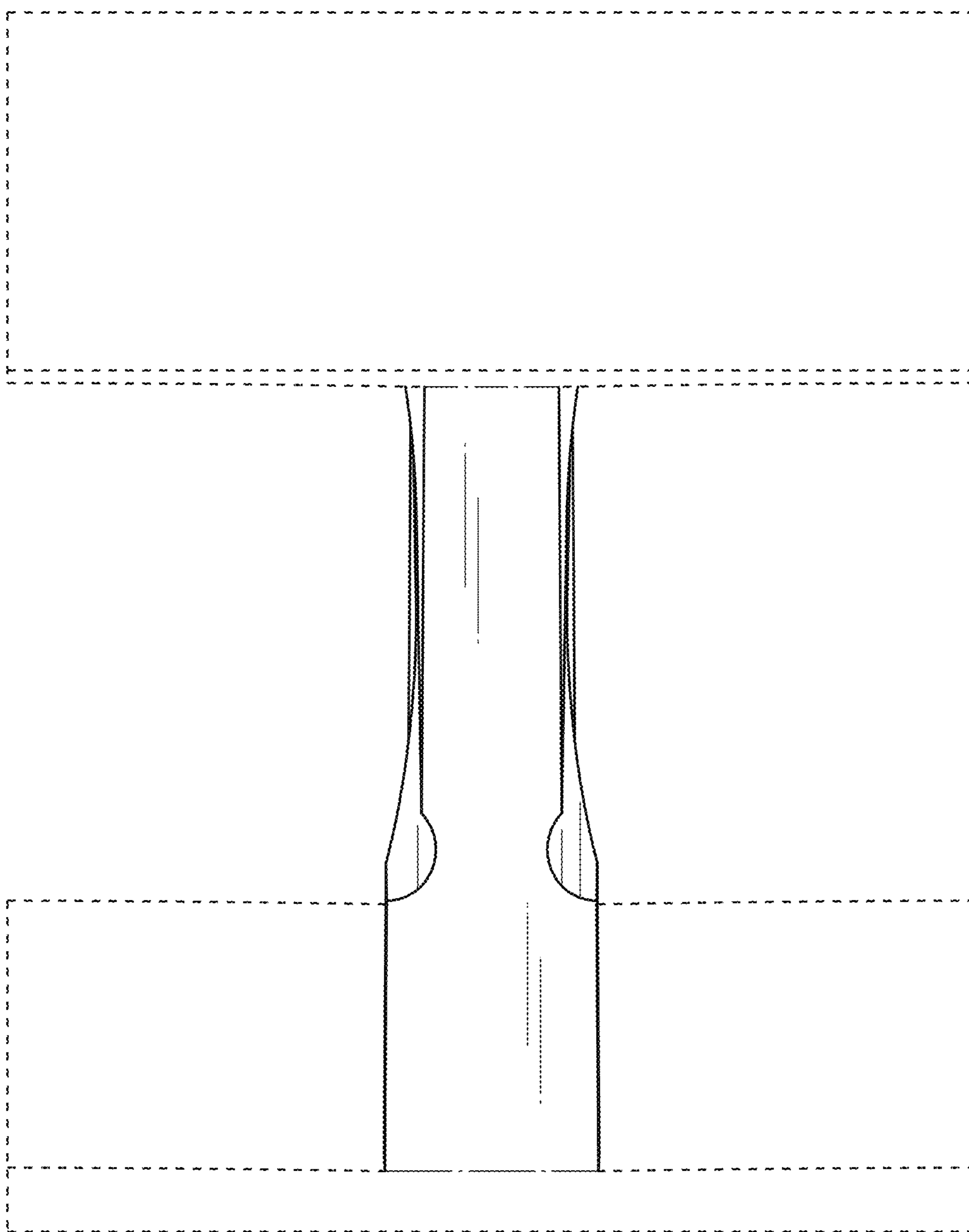


Fig. 41

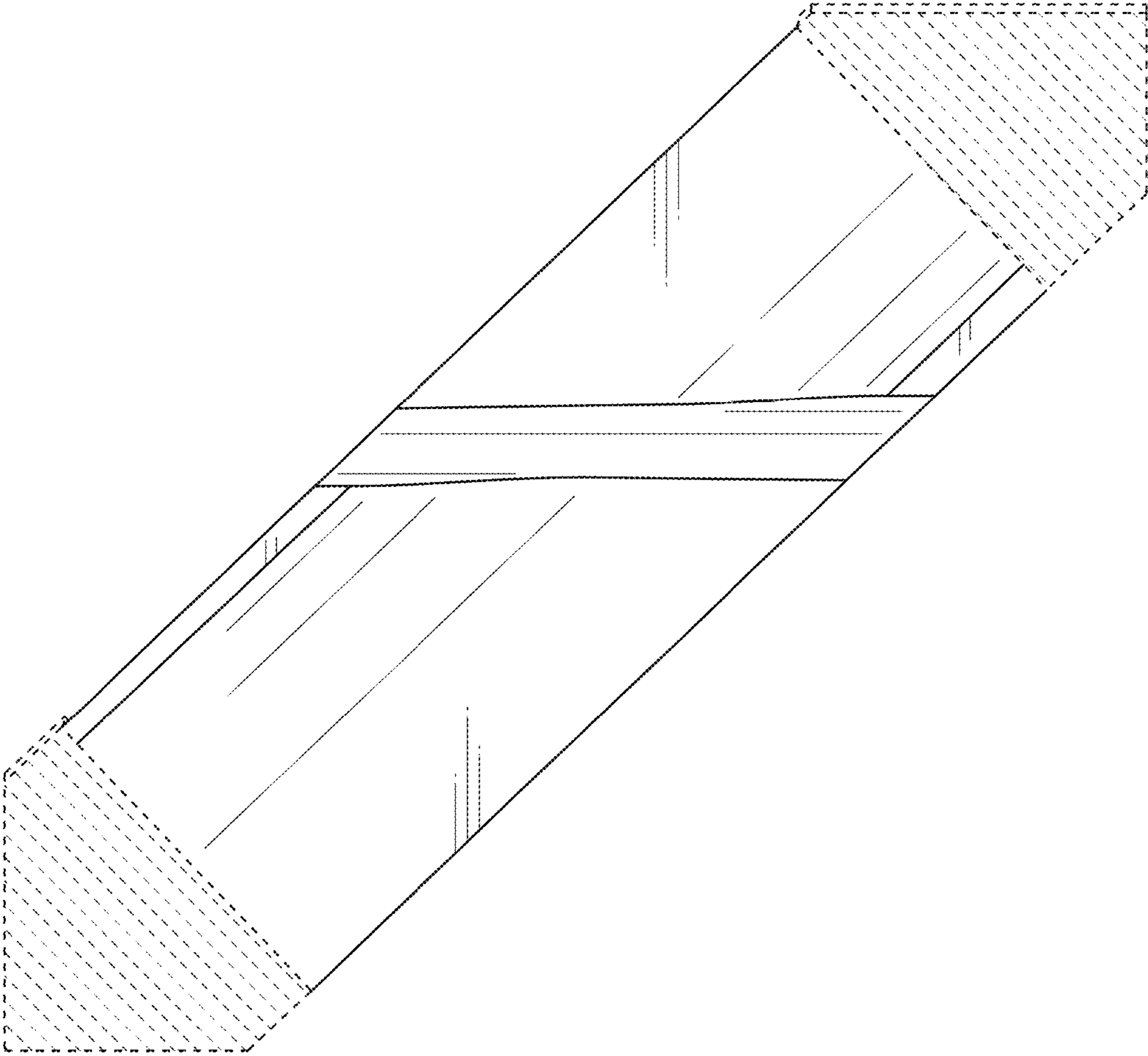


Fig. 42

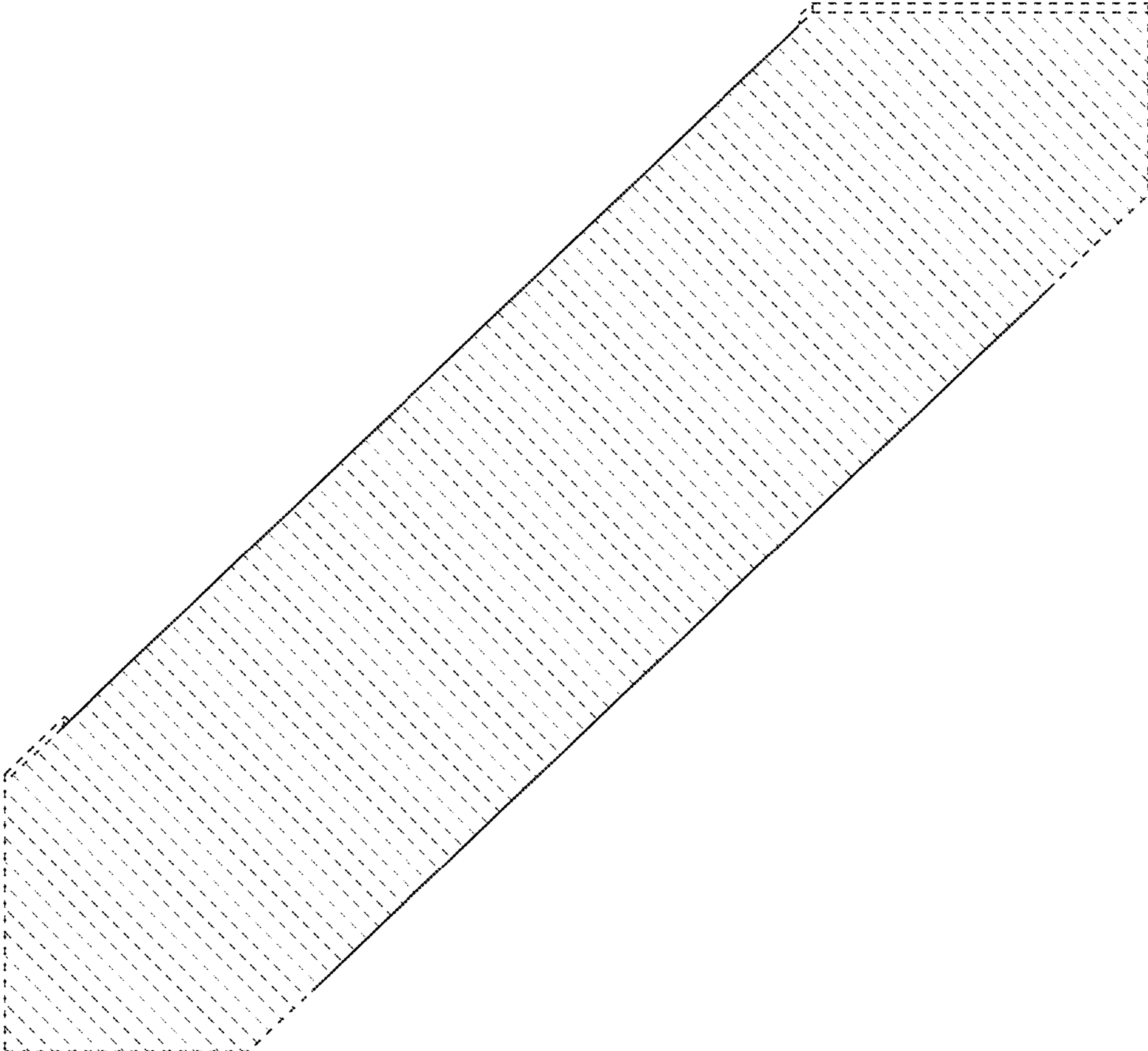


Fig. 43

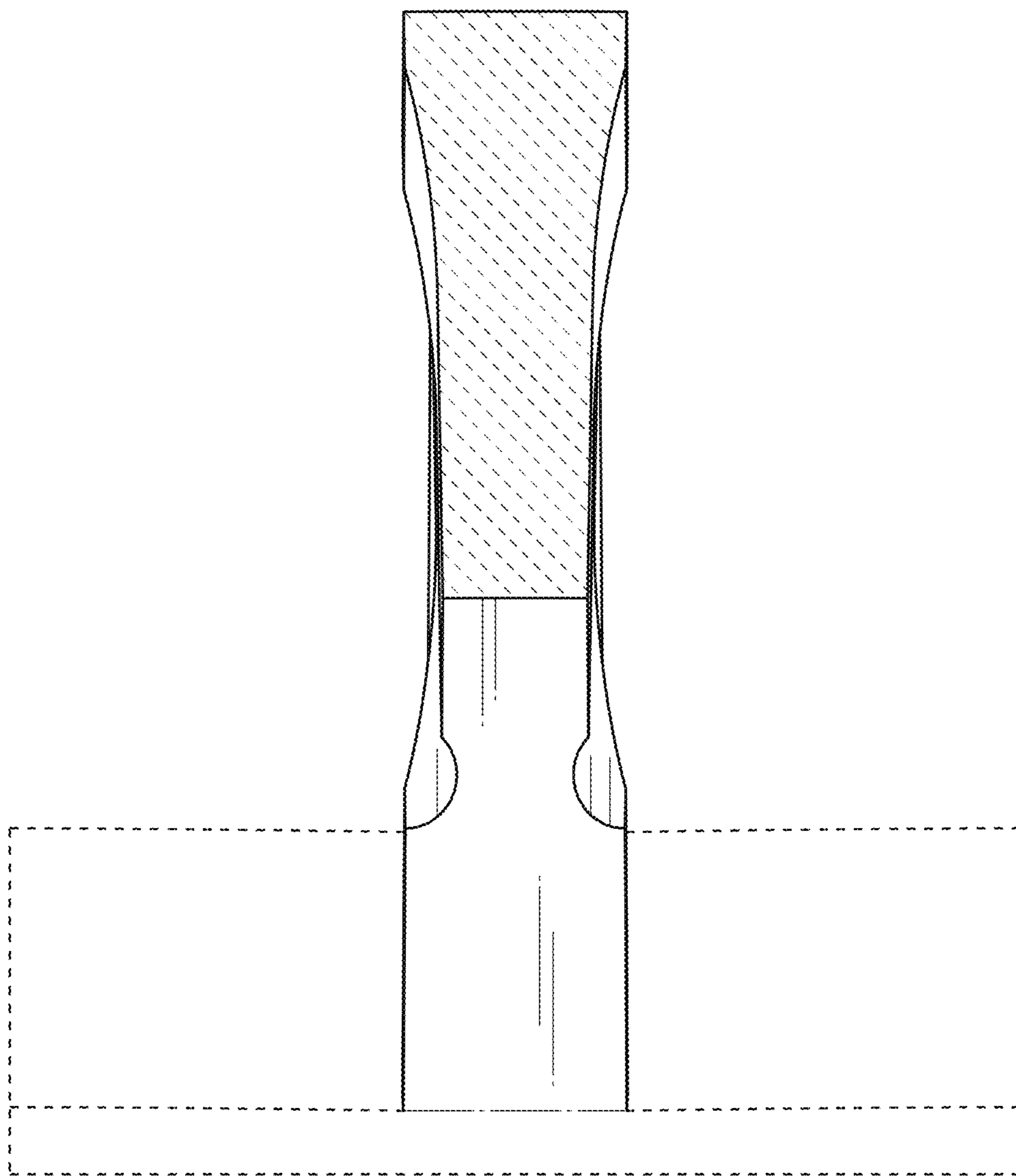


Fig. 44

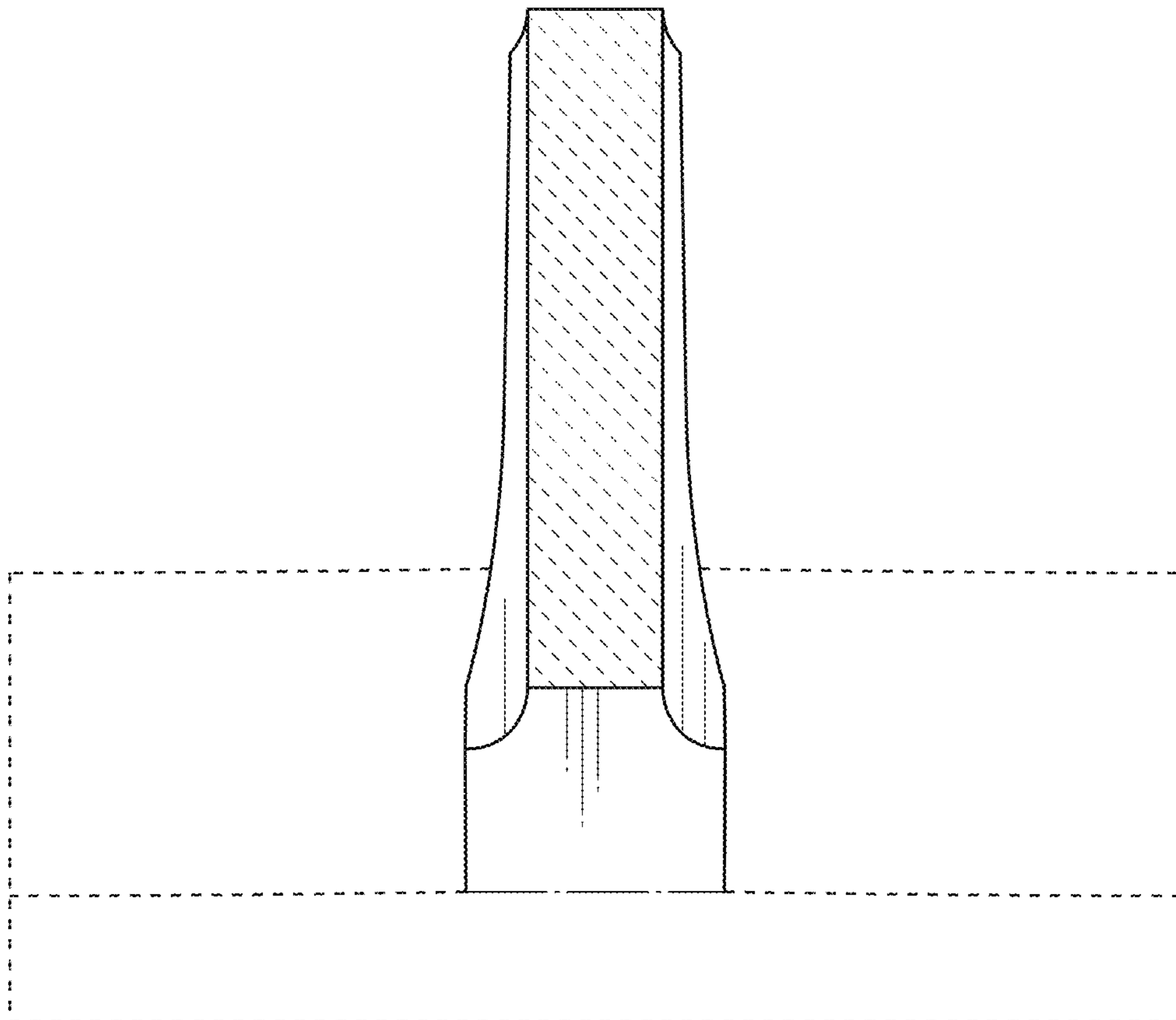


Fig. 45

