



US00D771164S

(12) **United States Design Patent**
Noorazar

(10) **Patent No.:** **US D771,164 S**
(45) **Date of Patent:** **** Nov. 8, 2016**

(54) **PRINTER FOR PRINTING 3-DIMENSIONAL OBJECTS**

(71) Applicant: **Sina Noorazar**, San Diego, CA (US)

(72) Inventor: **Sina Noorazar**, San Diego, CA (US)

(**) Term: **14 Years**

(21) Appl. No.: **29/509,893**

(22) Filed: **Nov. 21, 2014**

(51) **LOC (10) Cl.** **15-09**

(52) **U.S. Cl.**
USPC **D15/122**

(58) **Field of Classification Search**
USPC D18/6-7, 14, 19, 50, 54.1, 54, 55, 59;
D15/122, 135, 138
See application file for complete search history.

(56) **References Cited**

U.S. PATENT DOCUMENTS

4,319,794 A * 3/1982 Bachor E05D 7/1022
16/252
D298,943 S * 12/1988 Haager D14/311
D311,177 S * 10/1990 Peters, III D14/308
D341,827 S * 11/1993 Lai D14/308
D432,160 S * 10/2000 Kabumoto D18/37
D458,911 S * 6/2002 Kataoka D14/129
D461,187 S * 8/2002 Andre D14/356
D506,465 S * 6/2005 Geeng D14/308
D508,491 S * 8/2005 Choi D14/356
D514,556 S * 2/2006 Rising D14/300
D523,897 S * 6/2006 Iue D18/54
D526,640 S * 8/2006 Chin D14/188
7,204,684 B2 * 4/2007 Ederer B29C 67/0085
425/174.4
7,297,304 B2 * 11/2007 Swanson B29C 41/36
264/308
D577,743 S * 9/2008 Liu D14/496
D580,952 S * 11/2008 Liu D14/496
D598,906 S * 8/2009 Chiba D14/240
D602,019 S * 10/2009 Wang D14/356
D623,136 S * 9/2010 Andre D13/108

D629,827 S * 12/2010 Morenstein D16/221
D648,186 S * 11/2011 Pourian D19/67
D649,148 S * 11/2011 Gengoux D14/300
8,318,076 B2 * 11/2012 Wang B29C 67/0092
264/401
D677,723 S * 3/2013 Buel D18/59
D681,548 S * 5/2013 Zhang D13/102
D690,280 S * 9/2013 Schul D14/168
D698,869 S * 2/2014 Strzelewicz D21/499
D711,463 S * 8/2014 Costabeber D14/300
D722,053 S * 2/2015 Wang D14/358
D729,309 S * 5/2015 Jun D18/50
D732,587 S * 6/2015 Hsu D15/122
D732,588 S * 6/2015 Lin D15/122
D733,196 S * 6/2015 Wolf D15/122
D734,814 S * 7/2015 Yeh D18/50
D735,267 S * 7/2015 Chung D18/50
D736,838 S * 8/2015 Costabeber D15/122
D739,885 S * 9/2015 Lee D15/122
D740,863 S * 10/2015 Kemperle D15/122

(Continued)

Primary Examiner — Patricia Palasik

(74) *Attorney, Agent, or Firm* — Roeder & Broder LLP;
James P. Broder

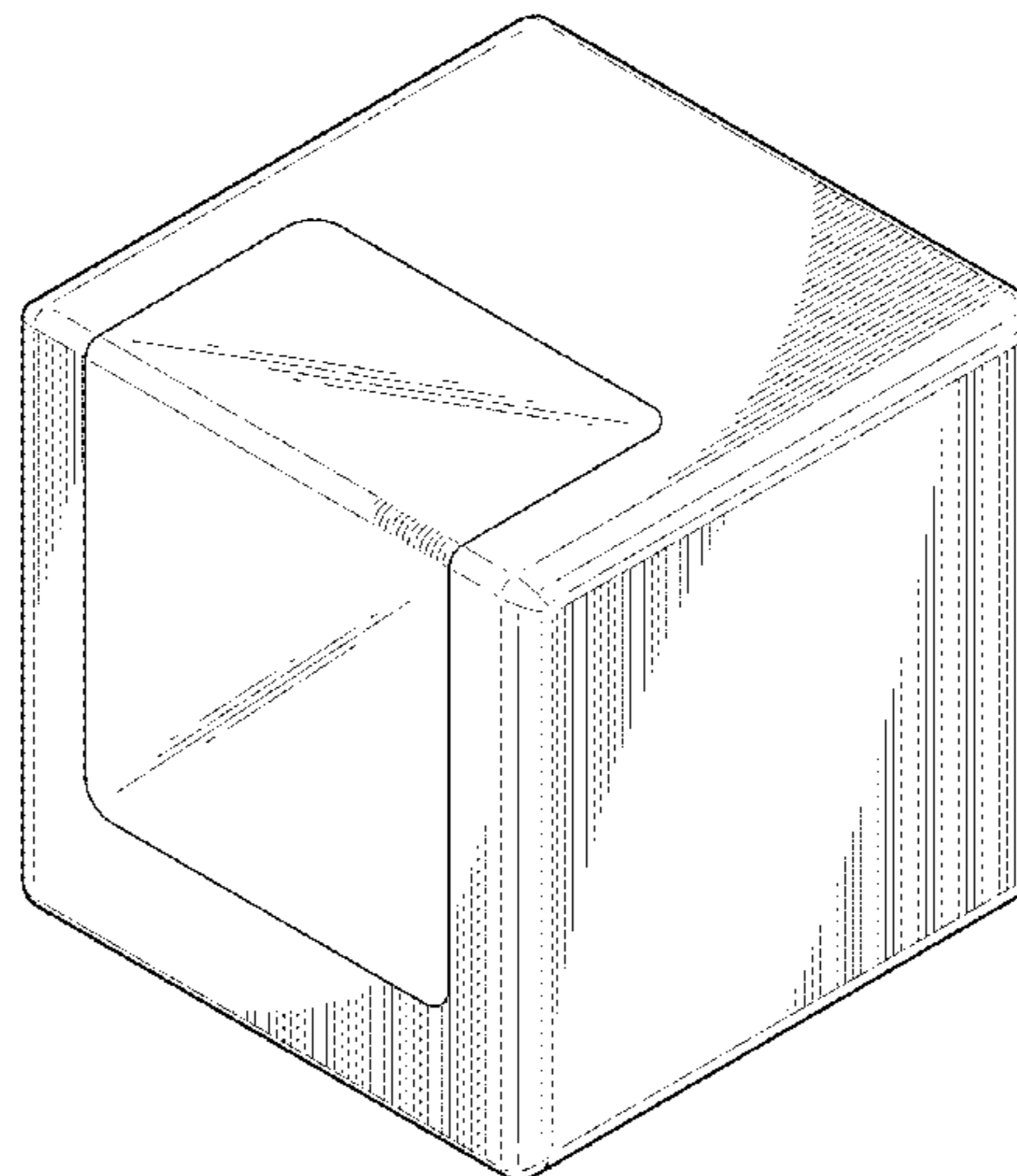
(57) **CLAIM**

The ornamental design for a printer for printing 3-dimensional objects, as shown and described.

DESCRIPTION

FIG. 1 is a perspective view of a printer for printing 3-dimensional objects, the printer including a movable door, the movable door illustrated in a closed position;
FIG. 2 is a top view of the printer illustrated in FIG. 1;
FIG. 3 is a front elevation view of the printer illustrated in FIG. 1;
FIG. 4 is a side elevation view of the printer illustrated in FIG. 1, with this view being representative of each of a left side, a bottom side, a rear side and a right side of the printer; and,
FIG. 5 is a perspective view of the printer illustrated in FIG. 1, with the movable door illustrated in an open position.

1 Claim, 3 Drawing Sheets



US D771,164 S

Page 2

(56)

References Cited

U.S. PATENT DOCUMENTS

D745,903 S *	12/2015	Armani	D15/122	D757,132 S *	5/2016	Liu	D15/122
D749,153 S *	2/2016	Anantha	D15/122	D760,825 S *	7/2016	Solorzano	D15/122
D752,661 S *	3/2016	Anantha	D15/122	2014/0043630 A1*	2/2014	Buser	H04N 13/02 358/1.13

* cited by examiner

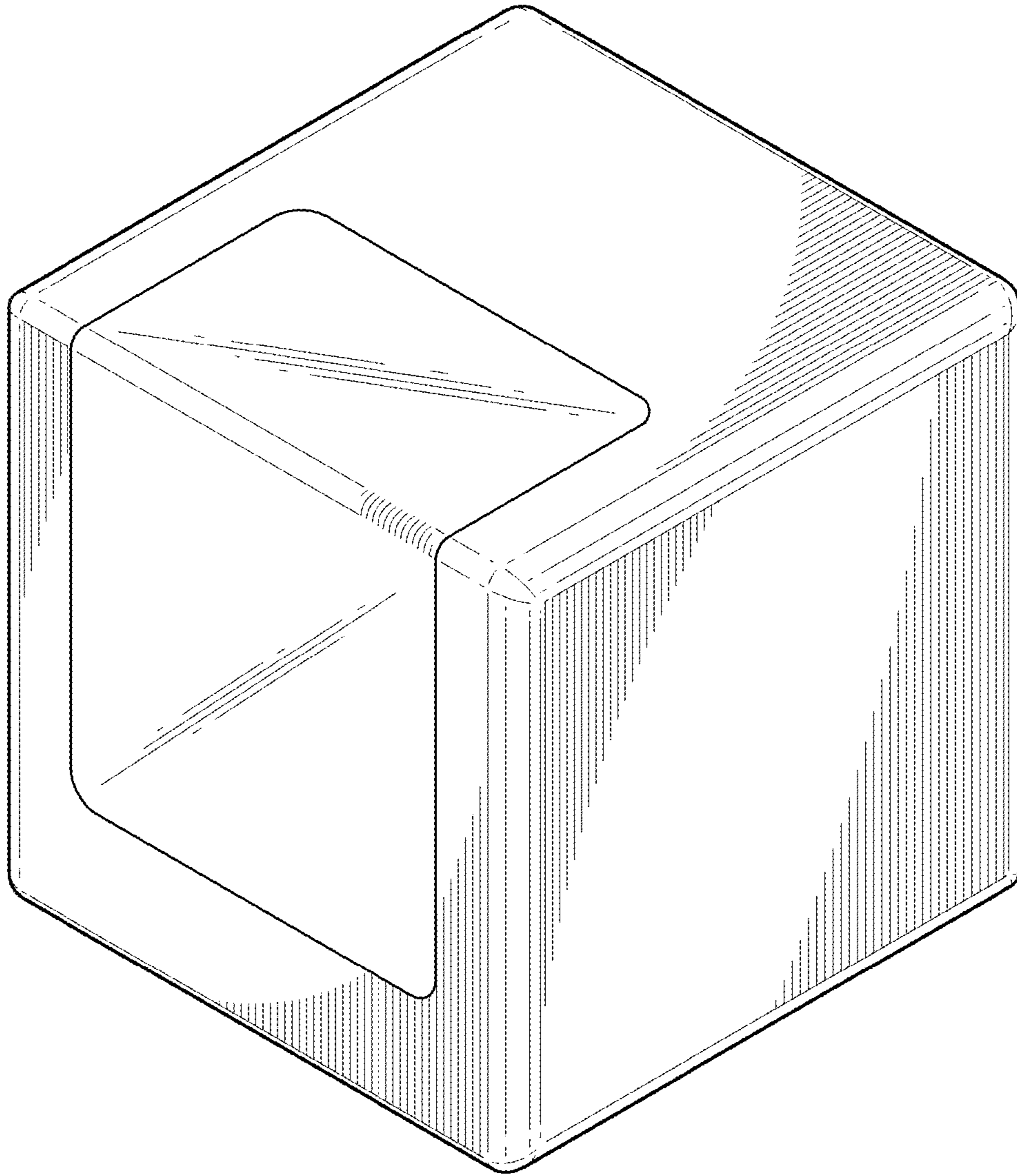


FIG. 1

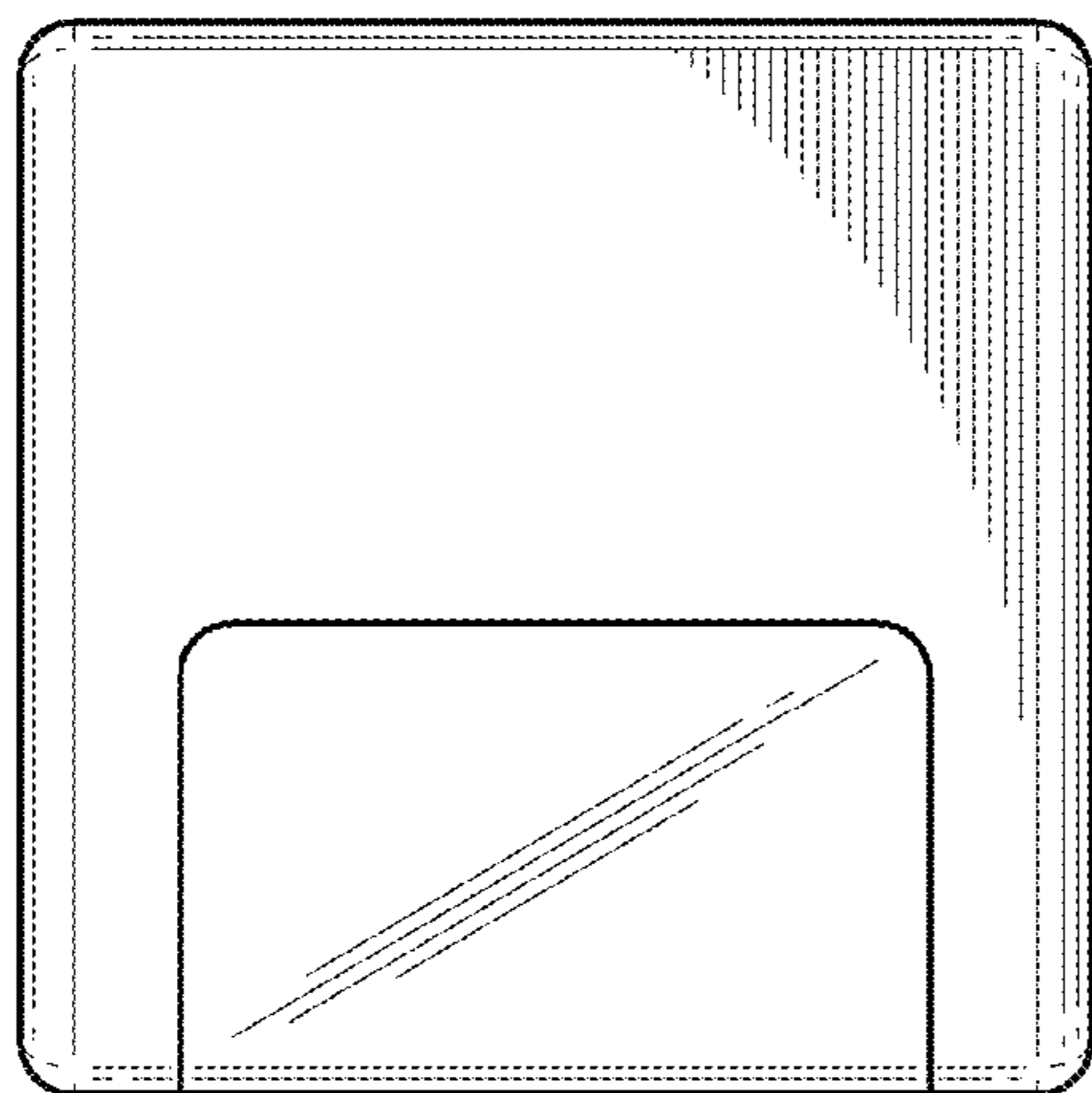


FIG. 2

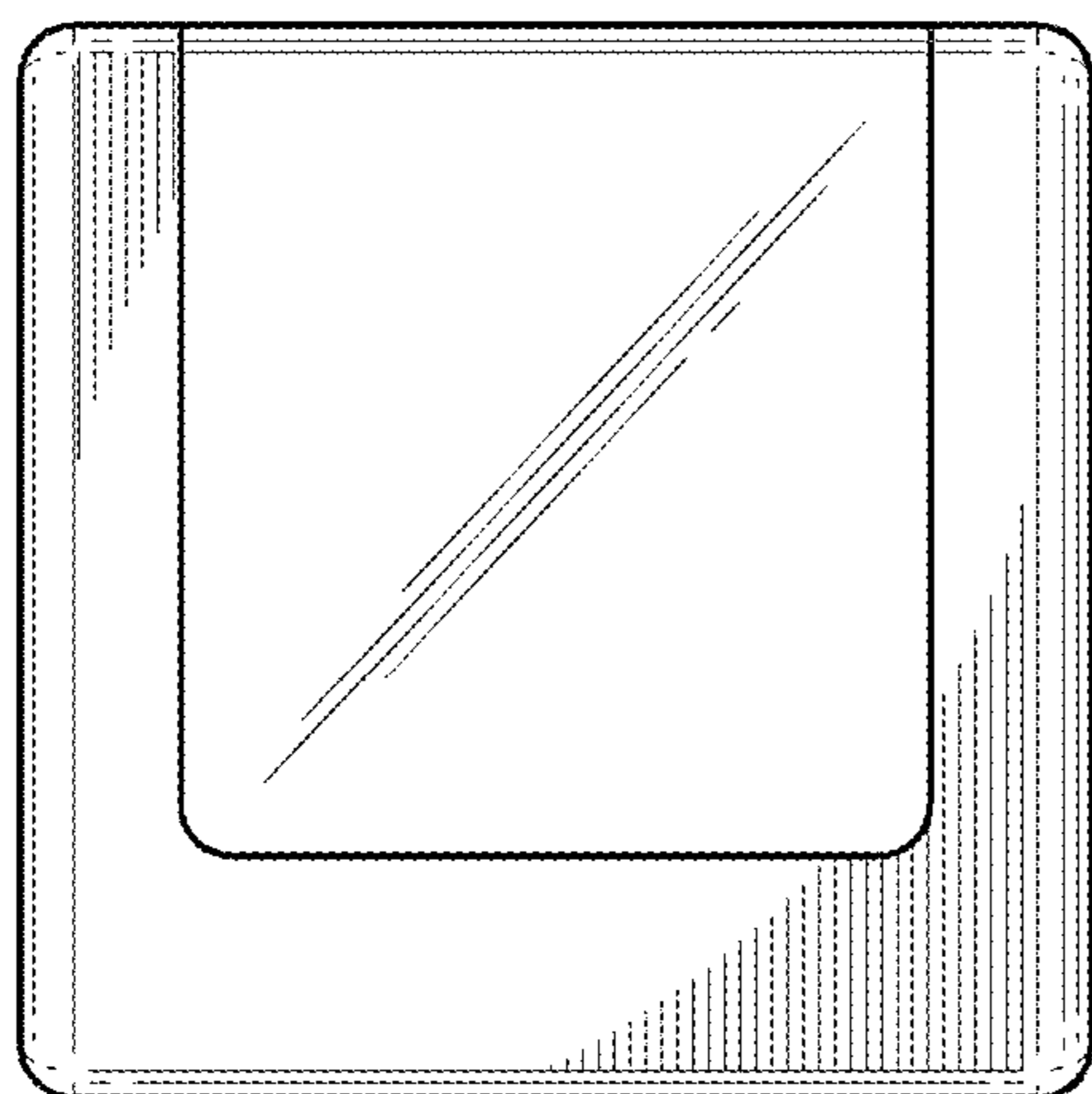


FIG. 3

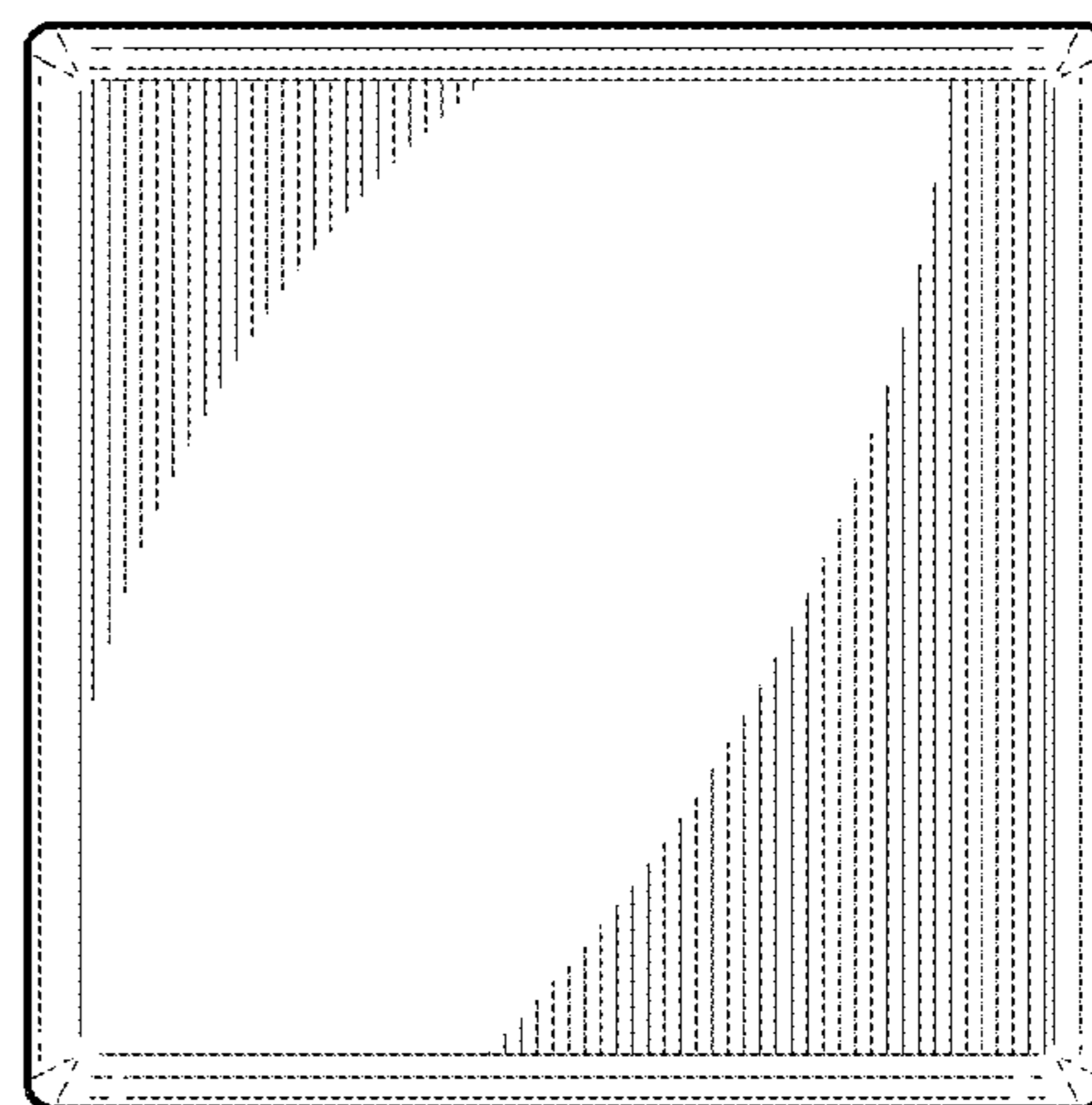


FIG. 4

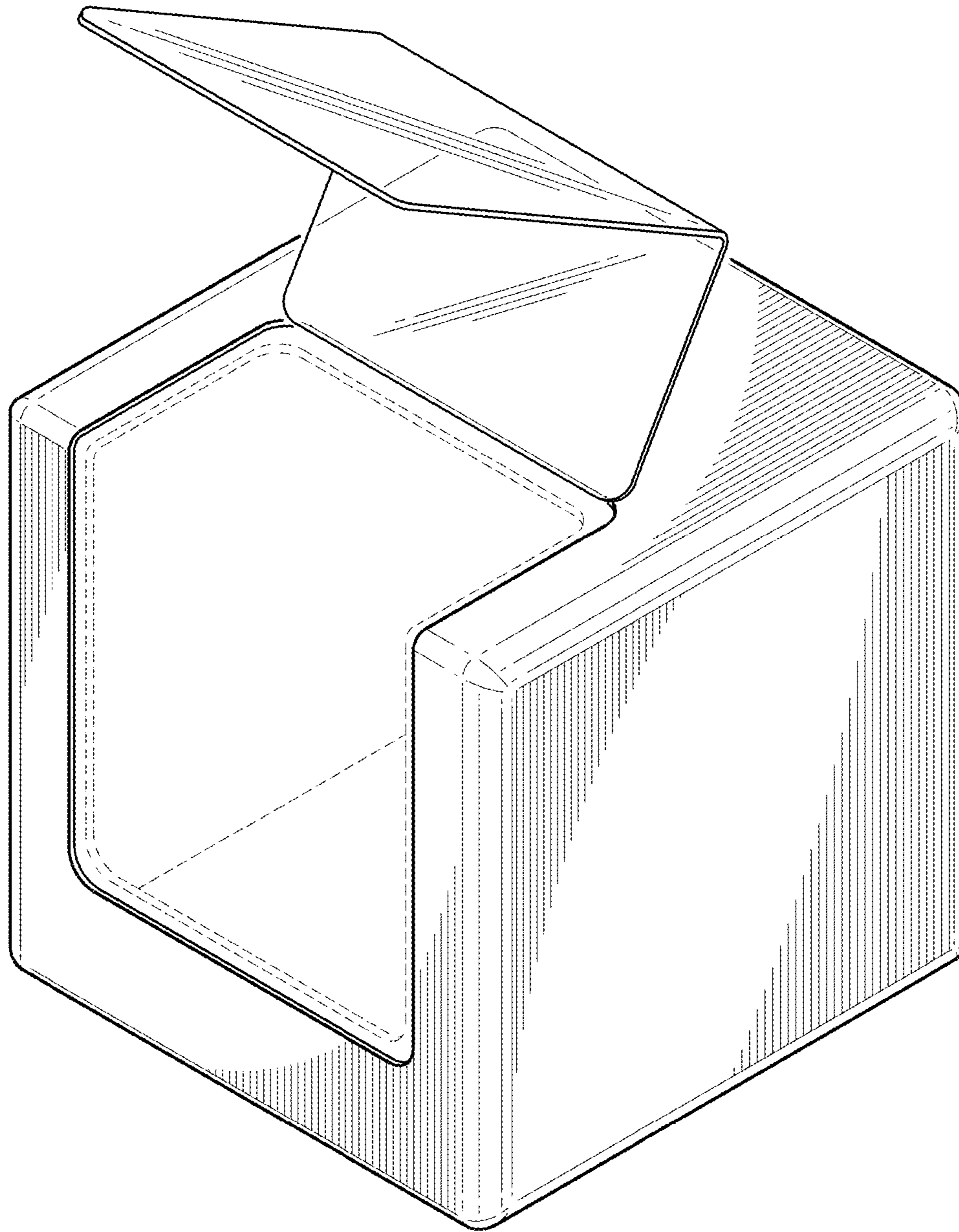


FIG. 5