



US00D771159S

(12) **United States Design Patent**
Jeon et al.

(10) **Patent No.:** **US D771,159 S**
(45) **Date of Patent:** **** Nov. 8, 2016**

(54) **REFRIGERATOR**

D756,426 S * 5/2016 Seo D15/89
D757,128 S * 5/2016 Seo D15/89
D759,131 S * 6/2016 Ogg D15/89

(71) Applicant: **Samsung Electronics Co., Ltd.**,
Suwon-si, Gyeonggi-do (KR)

FOREIGN PATENT DOCUMENTS

(72) Inventors: **Sangwoon Jeon**, Seoul (KR); **Dajeong Kim**, Seoul (KR); **Selim Yoon**, Goyang-si (KR); **Hyunil Lee**, Seoul (KR); **Junhyeok Choi**, Ulsan (KR)

KR 300457658 7/2007
KR 300681955 2/2013
KR 300709276 9/2013
KR 300721569 12/2013
KR 300764069 9/2014

(73) Assignee: **SAMSUNG ELECTRONICS CO., LTD.** (KR)

* cited by examiner

(**) Term: **15 Years**

Primary Examiner — Daniel Bui

Assistant Examiner — Khawaja Anwar

(21) Appl. No.: **29/538,334**

(74) *Attorney, Agent, or Firm* — Cantor Colburn LLP

(22) Filed: **Sep. 2, 2015**

(57) **CLAIM**

The ornamental design for a refrigerator, as shown and described.

(30) **Foreign Application Priority Data**

DESCRIPTION

Mar. 26, 2015 (KR) 30-2015-0015424

(51) **LOC (10) Cl.** **15-07**

(52) **U.S. Cl.**
USPC **D15/89**

(58) **Field of Classification Search**
USPC D15/79–91
CPC F25D 23/028; F25D 23/02; F25D 25/025;
F25D 23/00; F25D 2323/021; F25D 11/00;
F25D 2323/024; F25D 23/04; F25D 29/00;
F25D 25/02; F25D 25/024; F25D 27/005;
F25D 23/12; F25D 17/042; F25D 2325/021;
F25D 2323/02; F25D 29/005
See application file for complete search history.

FIG. 1 is a perspective view of a refrigerator, showing our new design;
FIG. 2 is a front view thereof;
FIG. 3 is a rear view thereof;
FIG. 4 is a side view thereof;
FIG. 5 is another side view thereof;
FIG. 6 is a top view thereof;
FIG. 7 is a bottom view thereof;
FIG. 8 is an enlarged perspective view of the portion 8 of FIG. 1;
FIG. 9 is another enlarged perspective view of the portion 8 of FIG. 1; and,
FIG. 10 is yet another enlarged perspective view of the portion 8 of FIG. 1.
The broken lines illustrating portions of the refrigerator form no part of the claimed design.
The dot-dash broken lines encircling enlargement portions of the design form no part of the claimed design.

(56) **References Cited**

U.S. PATENT DOCUMENTS

D735,252 S * 7/2015 Lee D15/89
D754,760 S * 4/2016 Seo D15/89
D756,424 S * 5/2016 Seo D15/89

1 Claim, 10 Drawing Sheets

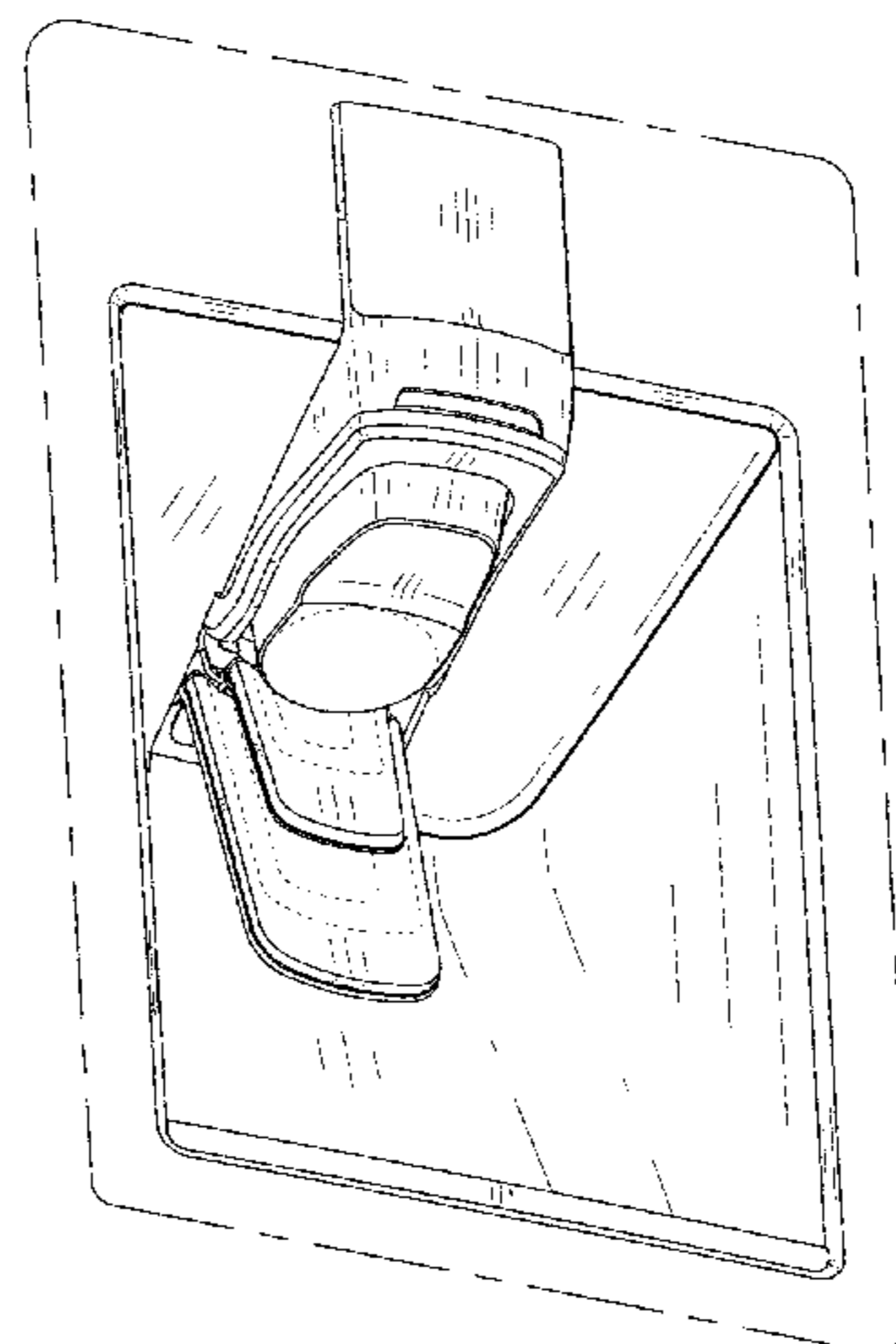
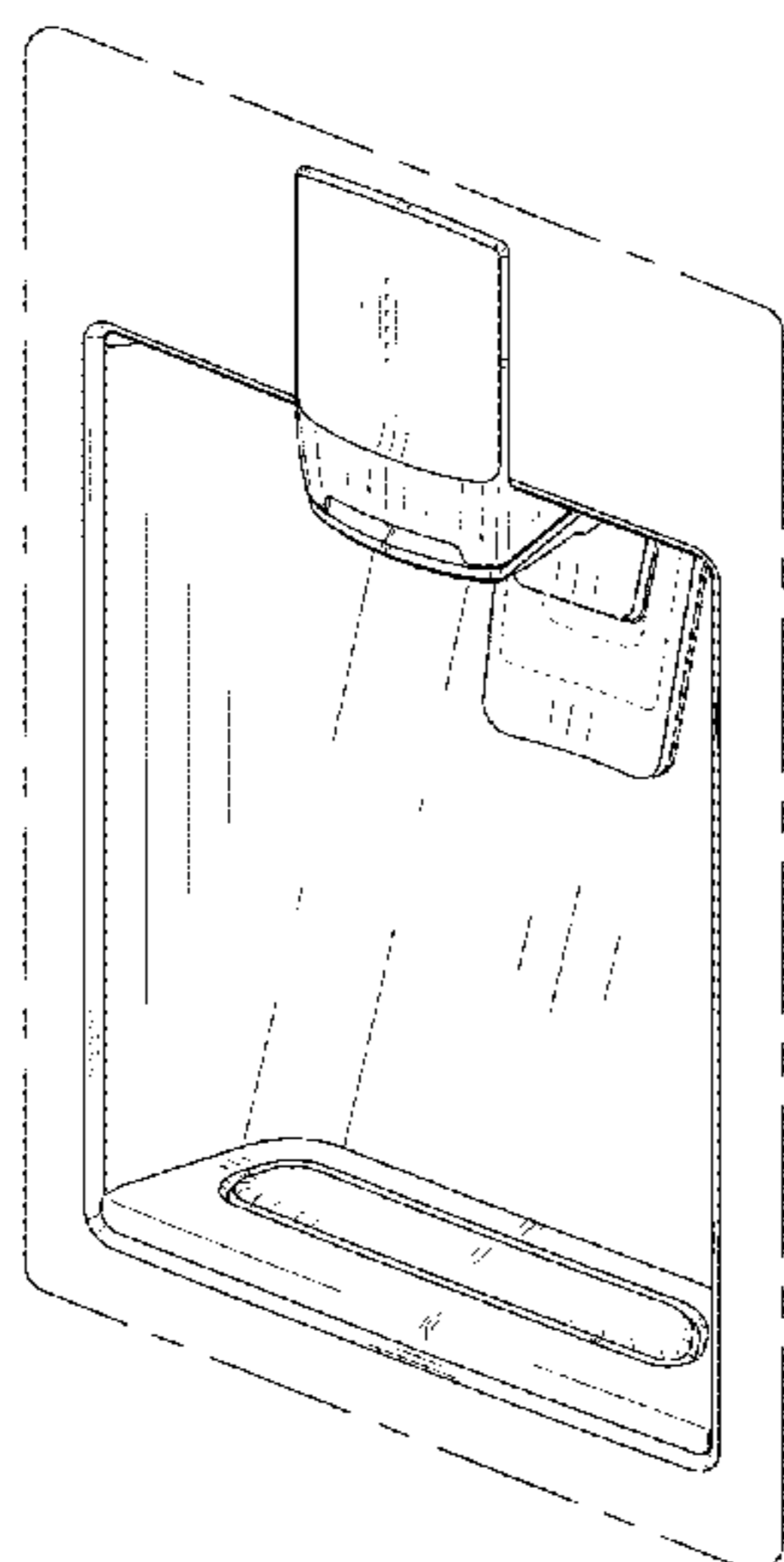


FIG. 1

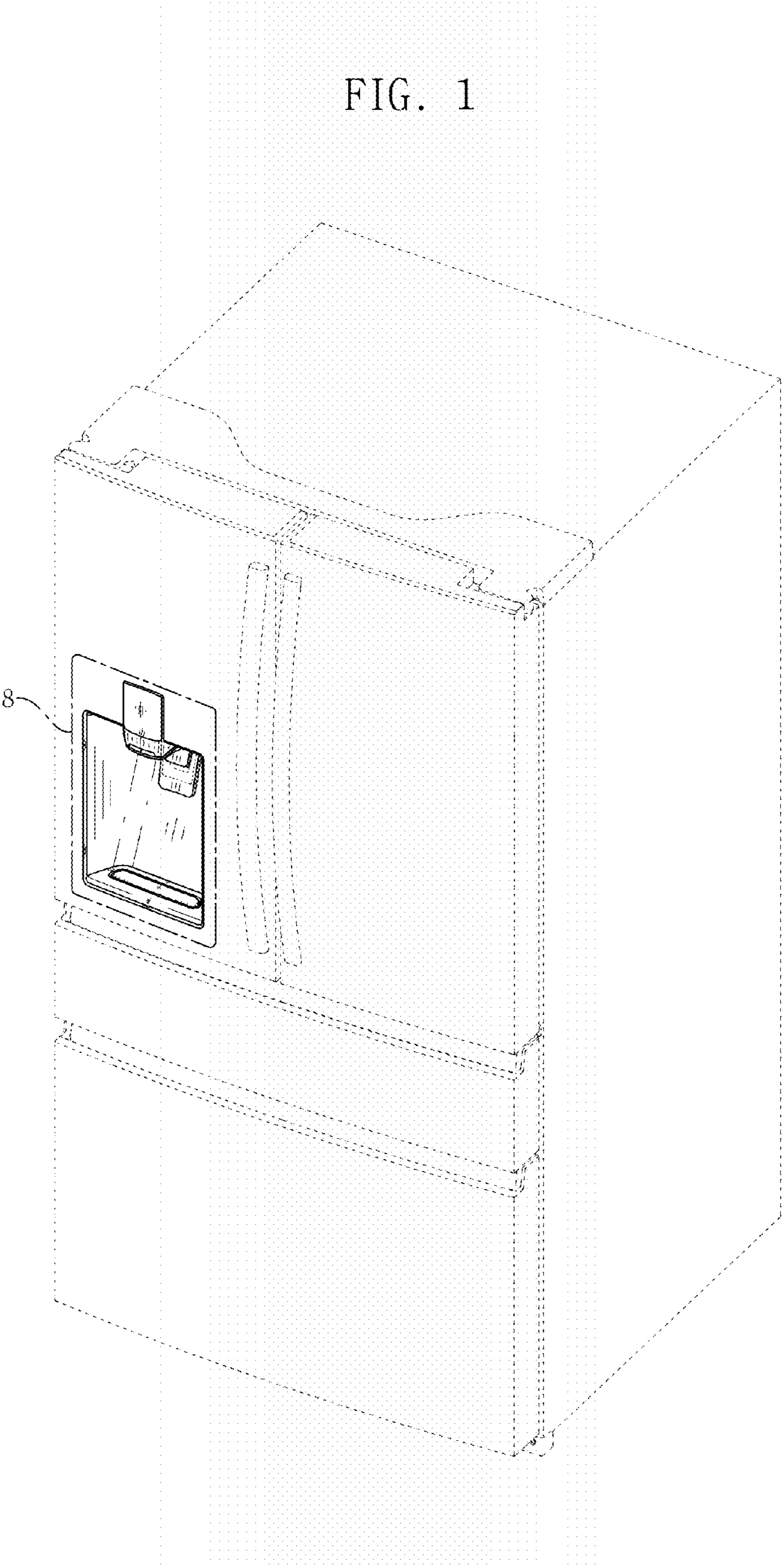


FIG. 2

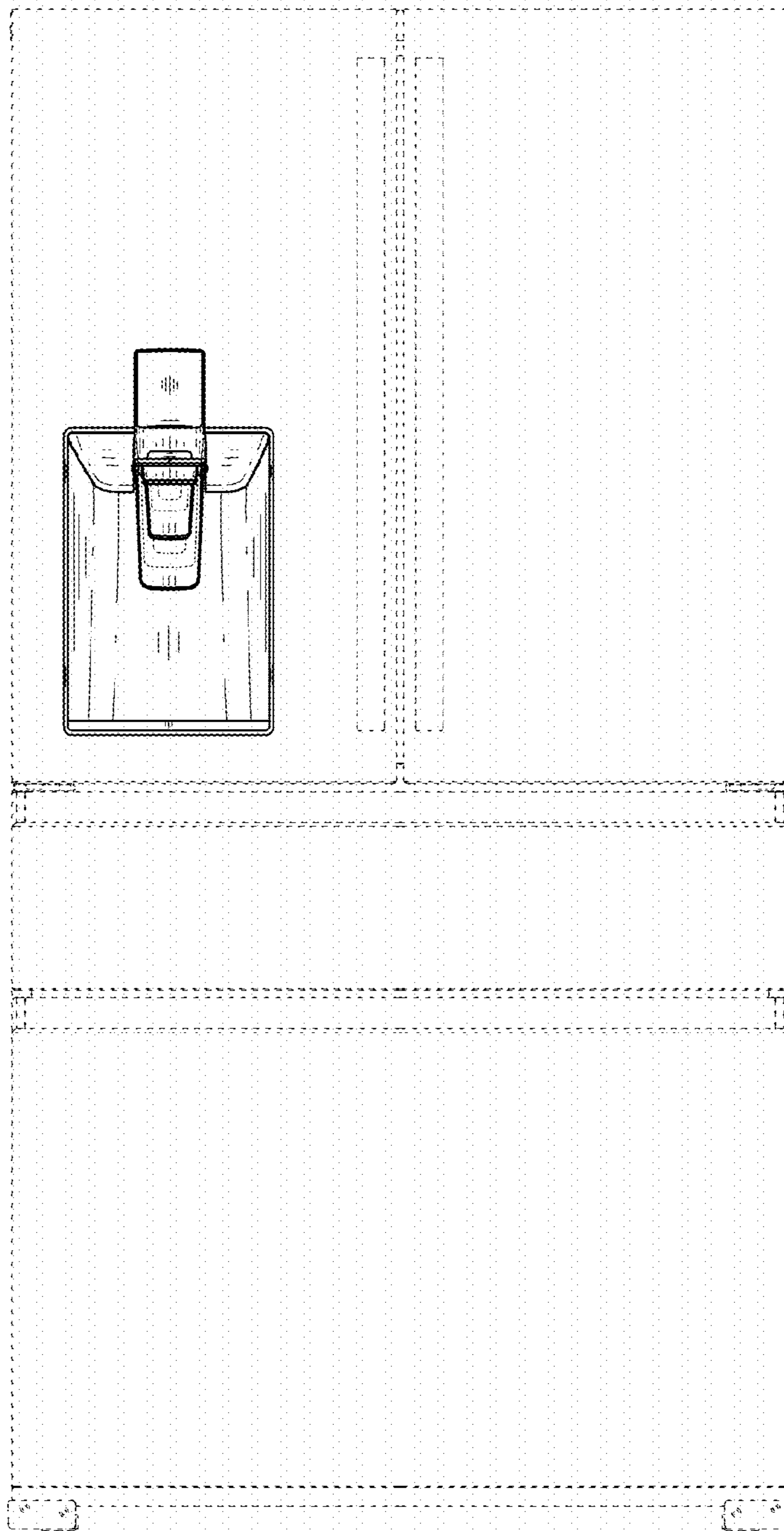


FIG. 3

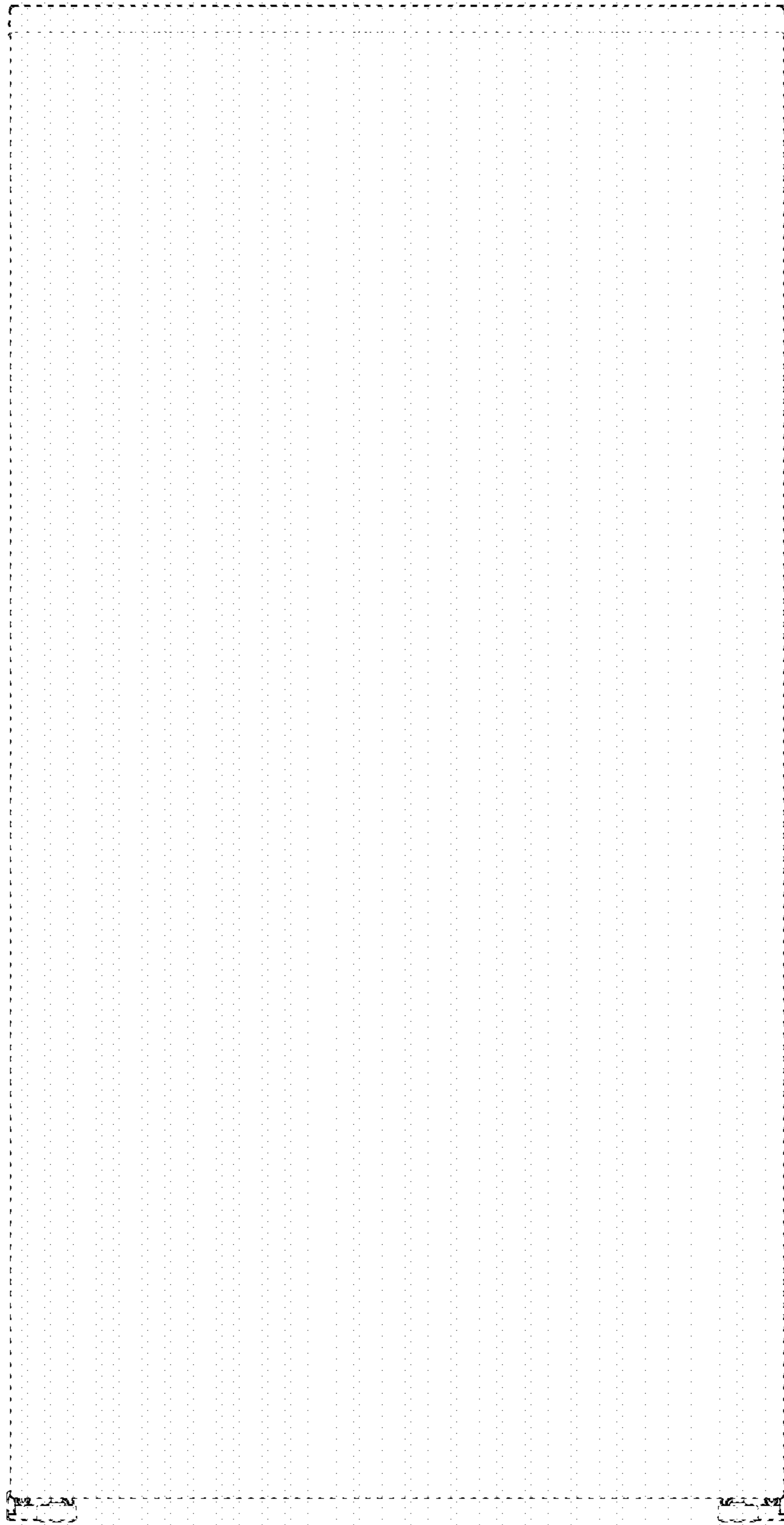


FIG. 4

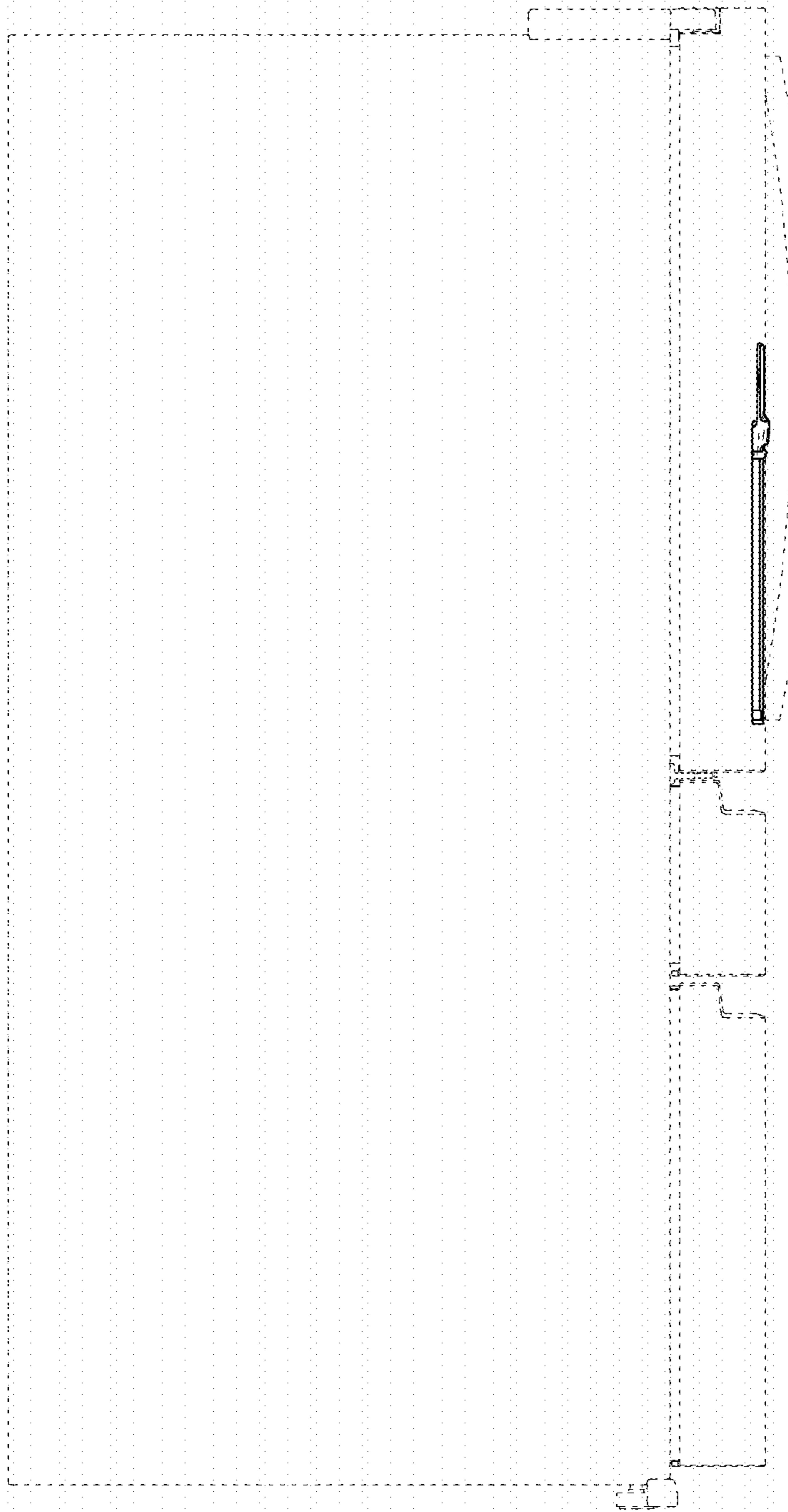


FIG. 5

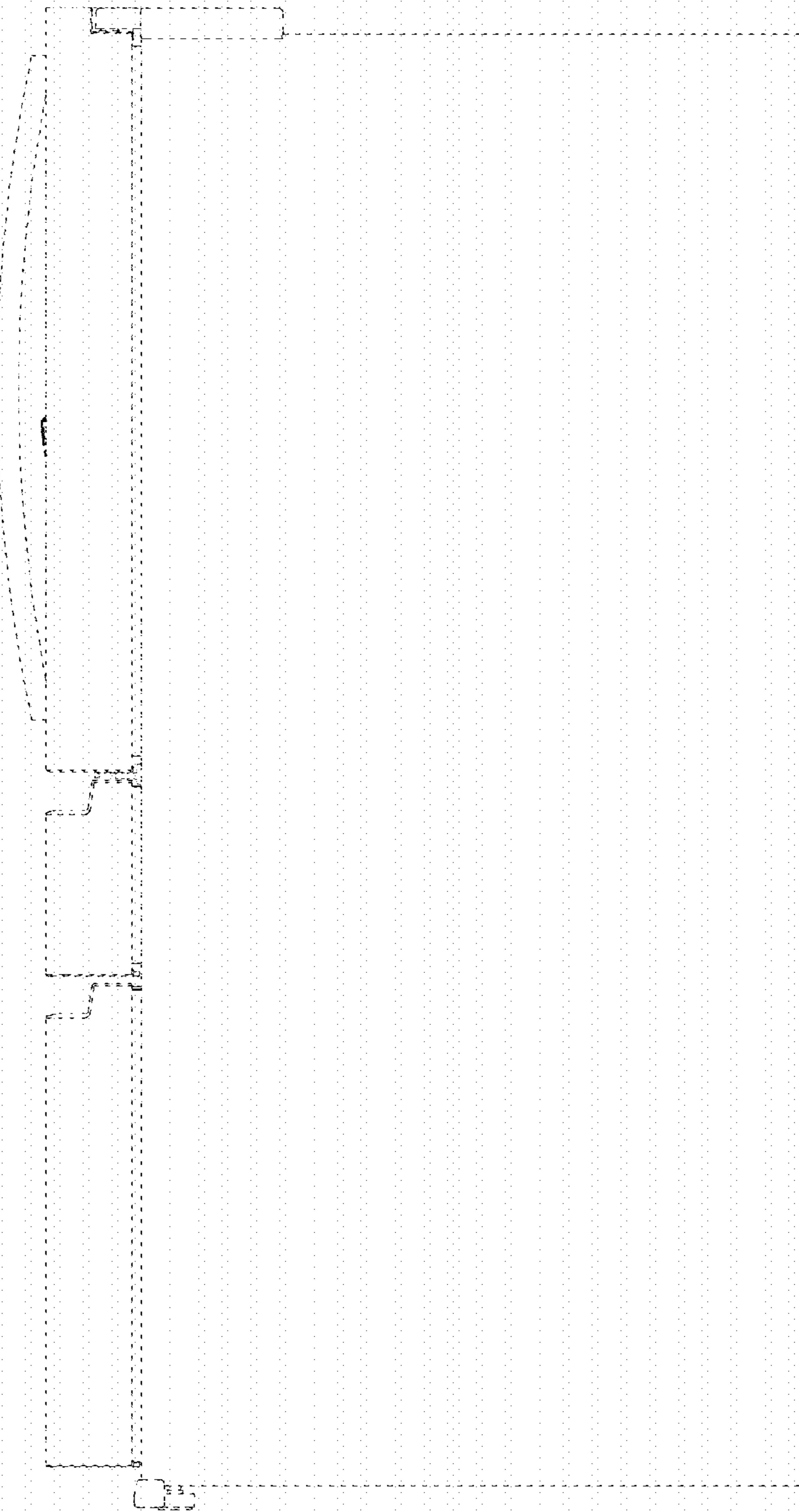


FIG. 6

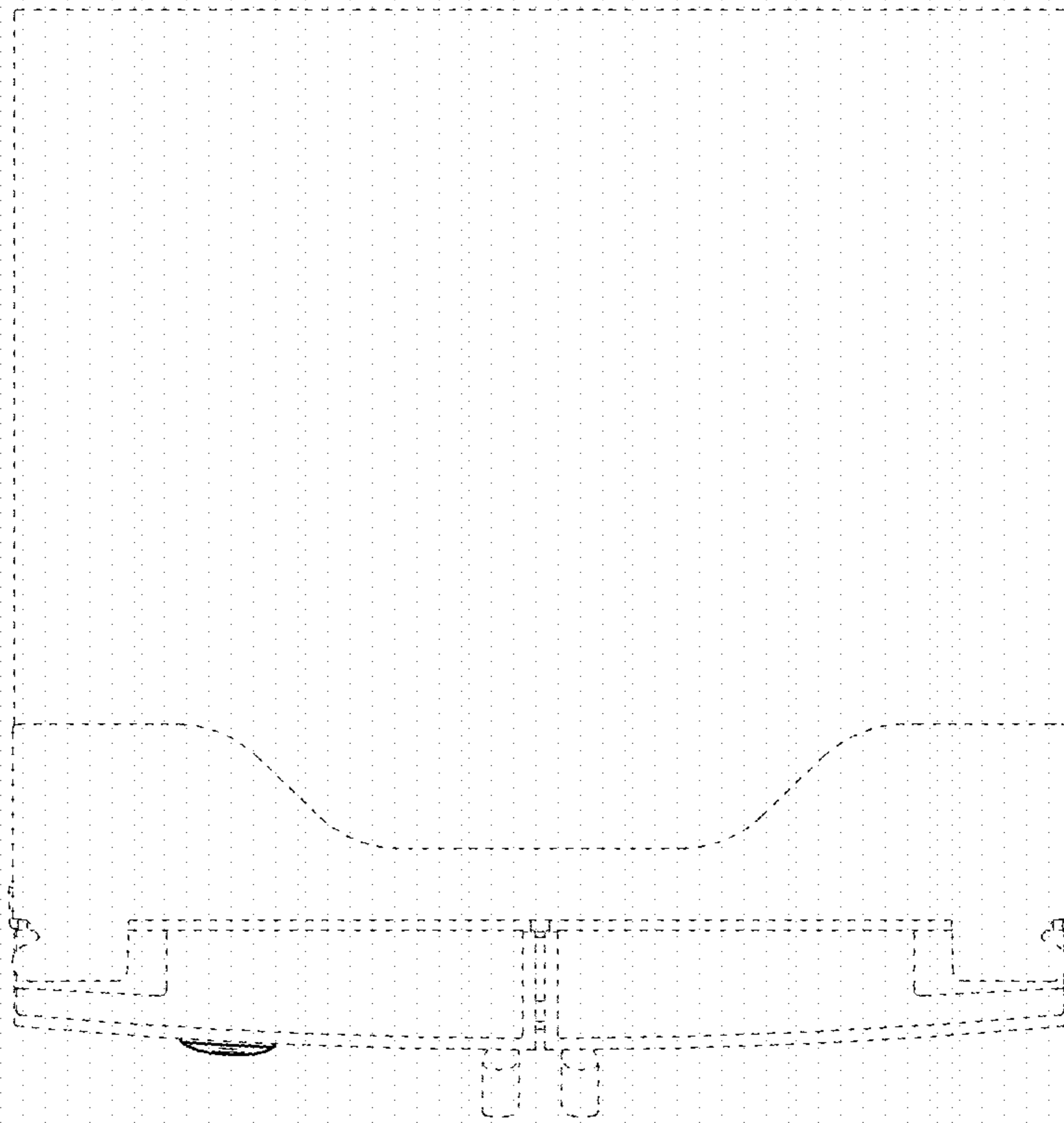


FIG. 7

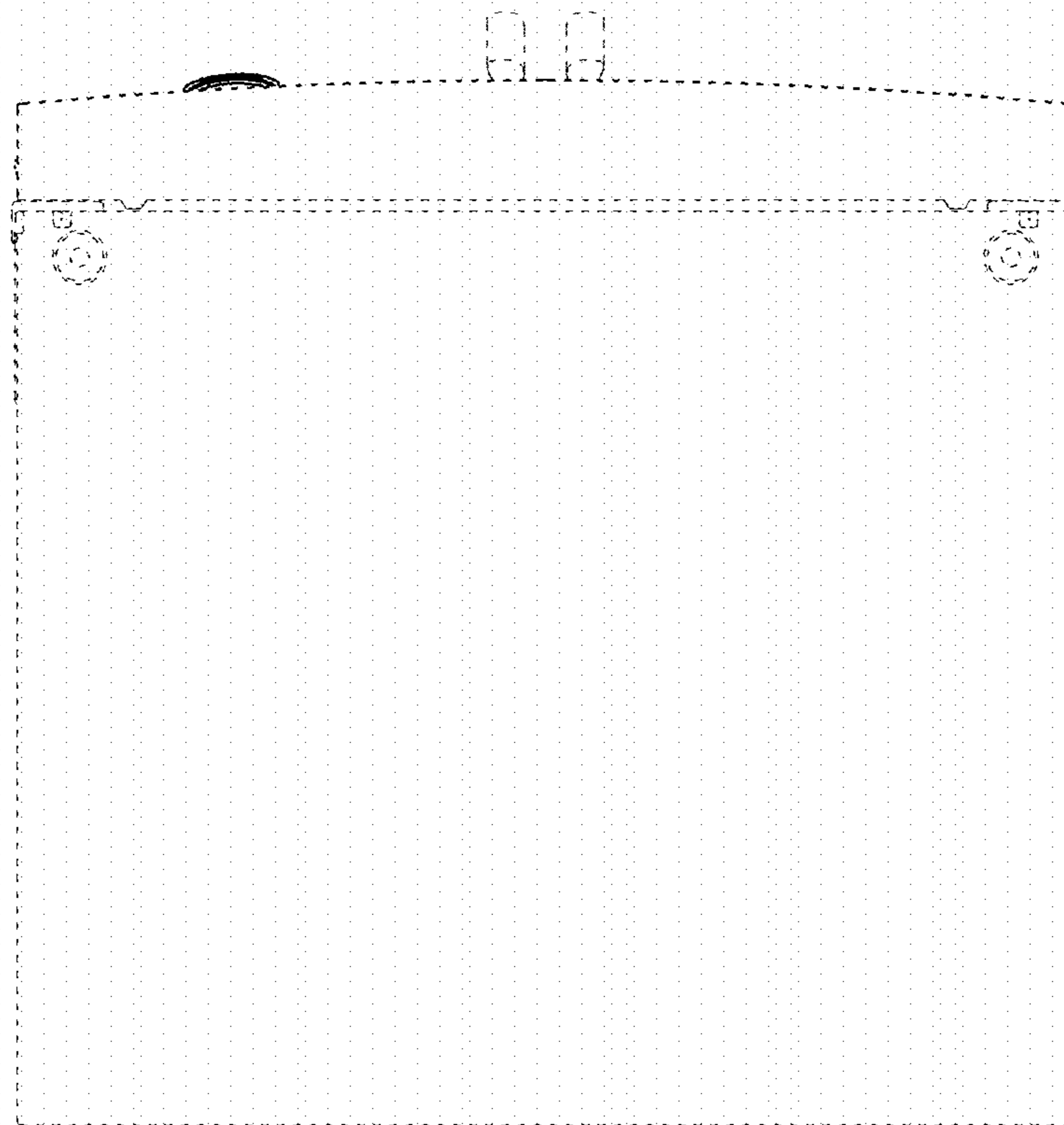


FIG. 8

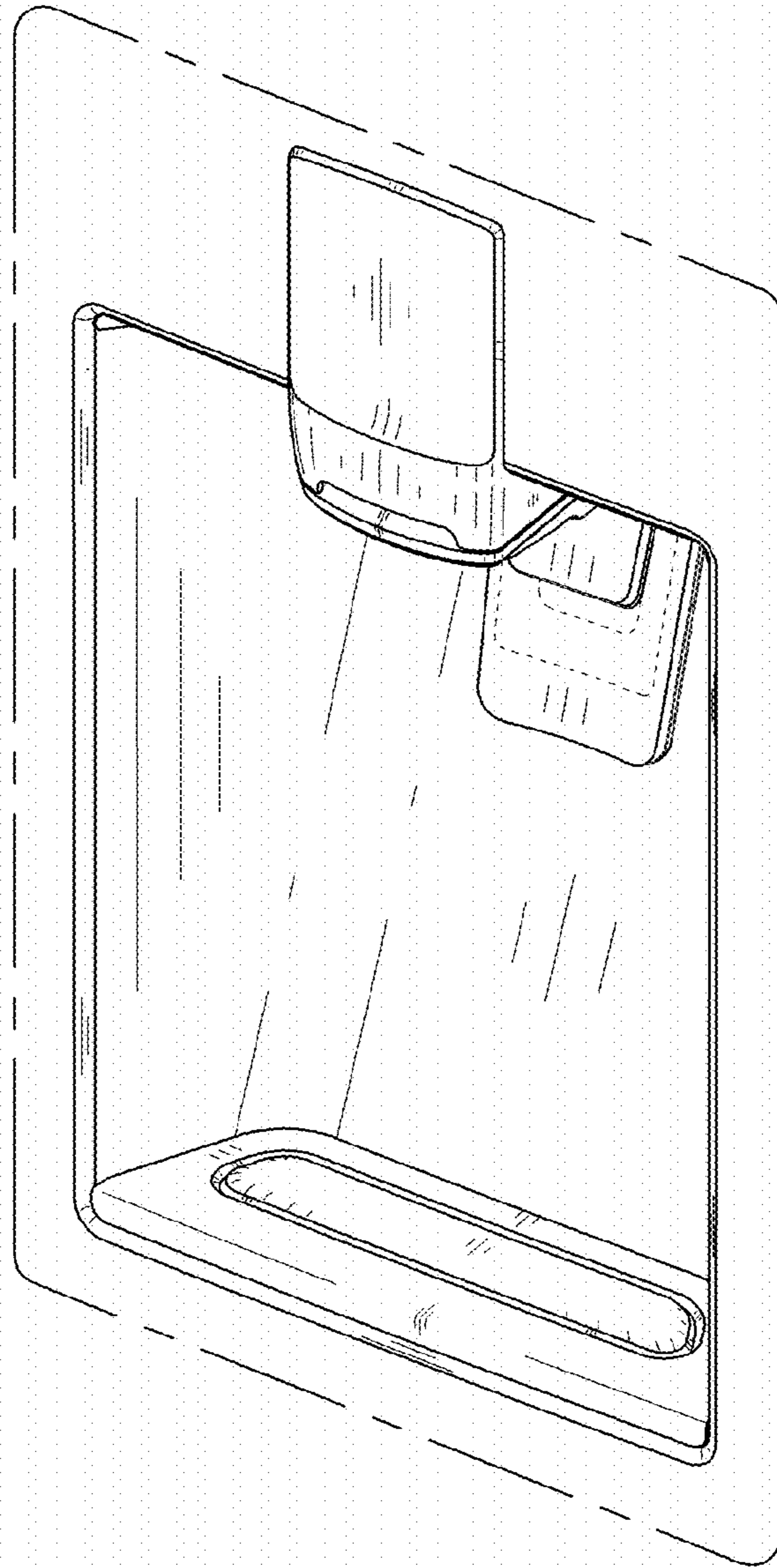


FIG. 9

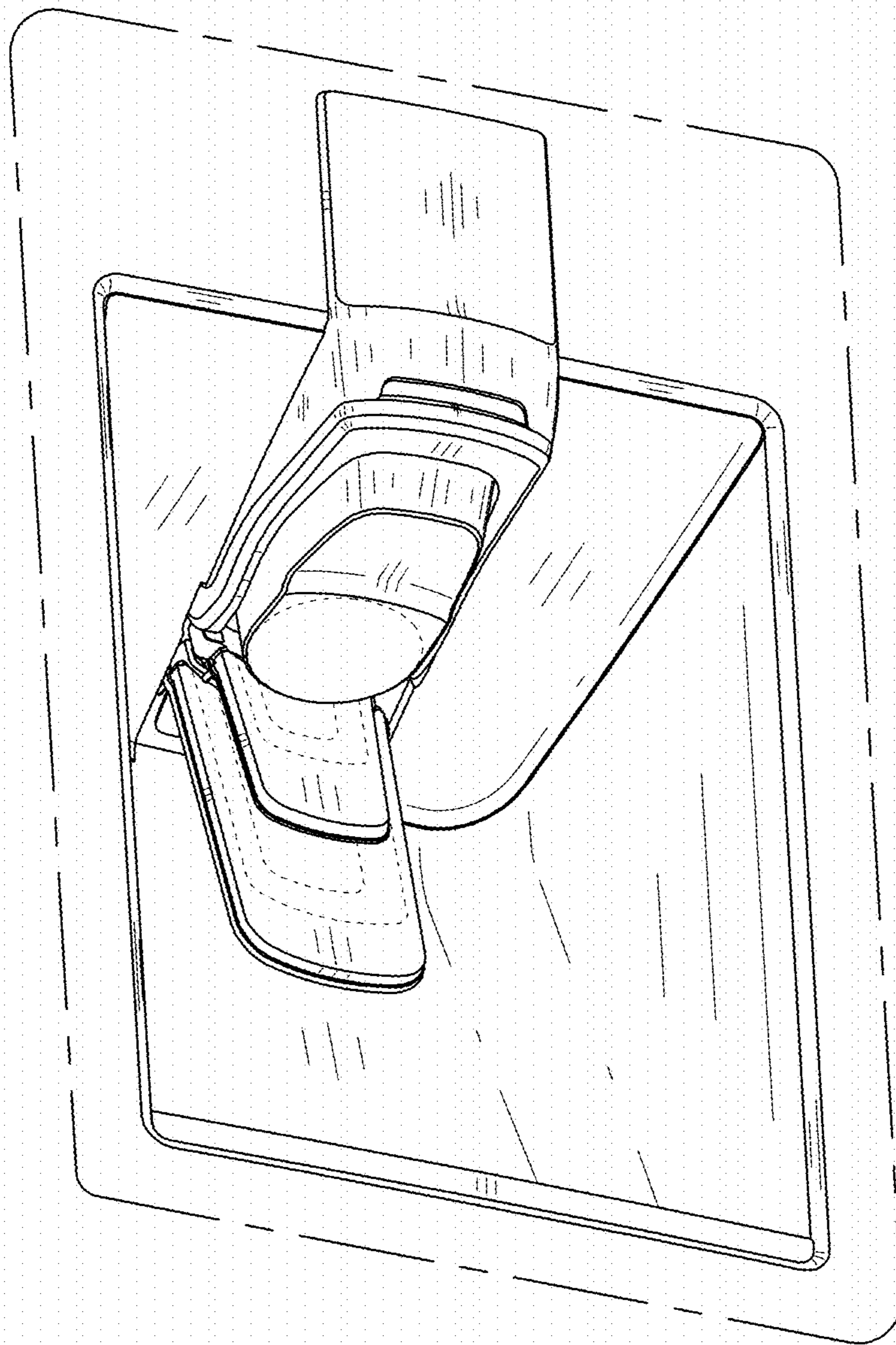


FIG. 10

