



US00D771158S

(12) **United States Design Patent**
Jain et al.

(10) **Patent No.:** **US D771,158 S**

(45) **Date of Patent:** **** Nov. 8, 2016**

(54) **COOLER**

(71) Applicant: **PepsiCo, Inc.**, Purchase, NY (US)

(72) Inventors: **Sandeep Jain**, Gurgaon (IN); **Dewang Parikh**, Gurgaon (IN); **Ashish Sood**, Gurgaon (IN); **Tanmaya Vats**, Delhi (IN)

(73) Assignee: **PepsiCo, Inc.**, Purchase, NY (US)

(**) Term: **15 Years**

(21) Appl. No.: **29/539,994**

(22) Filed: **Sep. 18, 2015**

(30) **Foreign Application Priority Data**

Mar. 20, 2015 (IN) 270468

(51) **LOC (10) Cl.** **15-07**

(52) **U.S. Cl.**
USPC **D15/81**

(58) **Field of Classification Search**
USPC D15/79-91
CPC F25D 23/028; F25D 23/02; F25D 25/025;
F25D 23/00; F25D 2323/021; F25D 11/00;
F25D 2323/024; F25D 23/04; F25D 29/00;
F25D 25/02; F25D 25/024; F25D 27/005;
F25D 23/12; F25D 29/005; F25D 17/042;
F25D 2325/021; F25D 2323/02

See application file for complete search history.

(56) **References Cited**

U.S. PATENT DOCUMENTS

D551,259 S *	9/2007	Wilson	D15/79
D744,011 S *	11/2015	Reaux	D15/79
D749,653 S *	2/2016	Carnes	D15/89
D750,140 S *	2/2016	Cross	D15/81

* cited by examiner

Primary Examiner — Daniel Bui

Assistant Examiner — Khawaja Anwar

(74) *Attorney, Agent, or Firm* — Sterne, Kessler, Goldstein & Fox P.L.L.C.

(57) **CLAIM**

The ornamental design for a cooler, as shown and described.

DESCRIPTION

FIG. 1 is a top, front, right perspective view of a cooler showing our new design;
FIG. 2 is a top view thereof;
FIG. 3 is a front view thereof;
FIG. 4 is a right side view thereof;
FIG. 5 is a left side view thereof;
FIG. 6 is a bottom view thereof; and,
FIG. 7 is a rear view thereof.

1 Claim, 4 Drawing Sheets

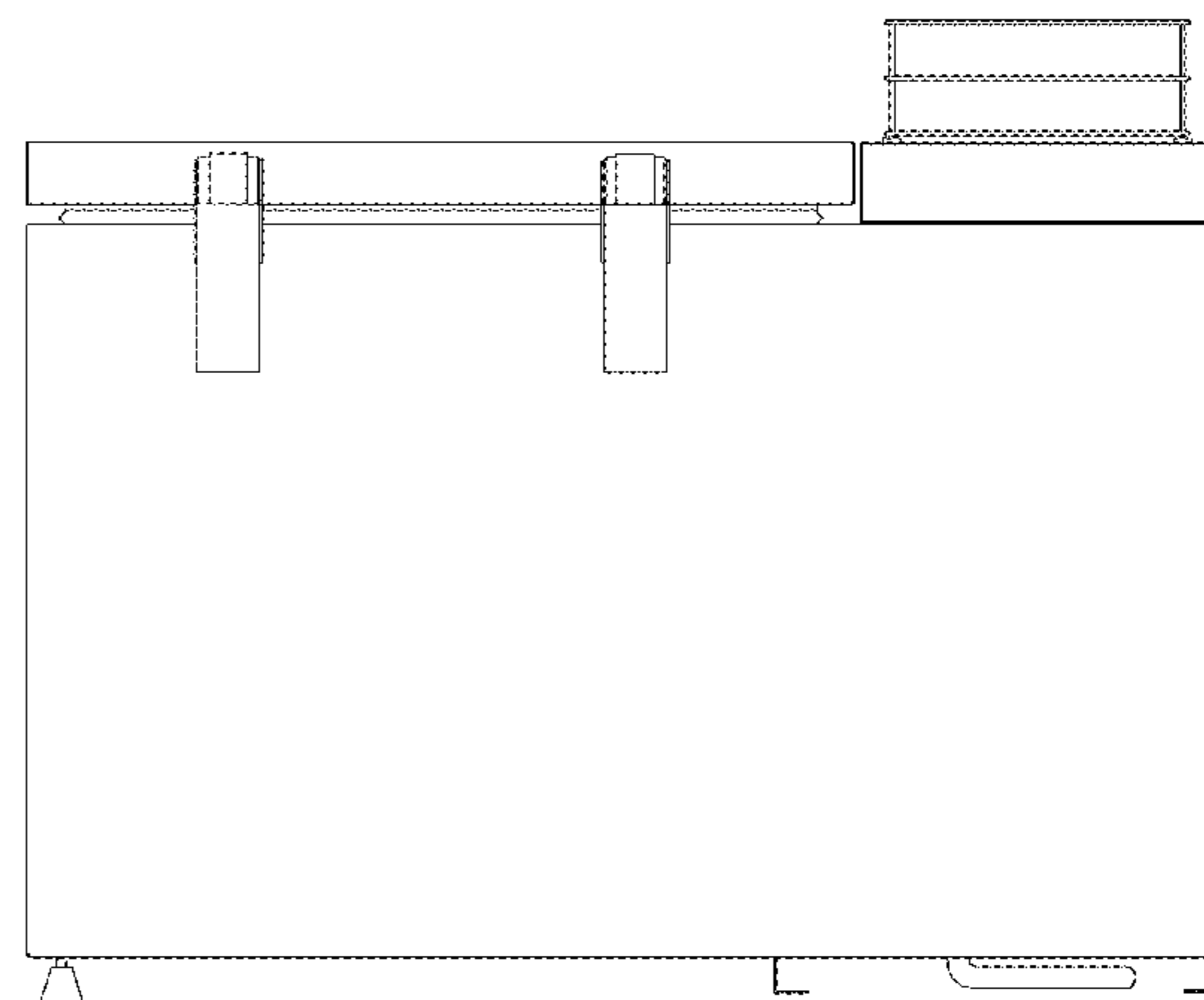
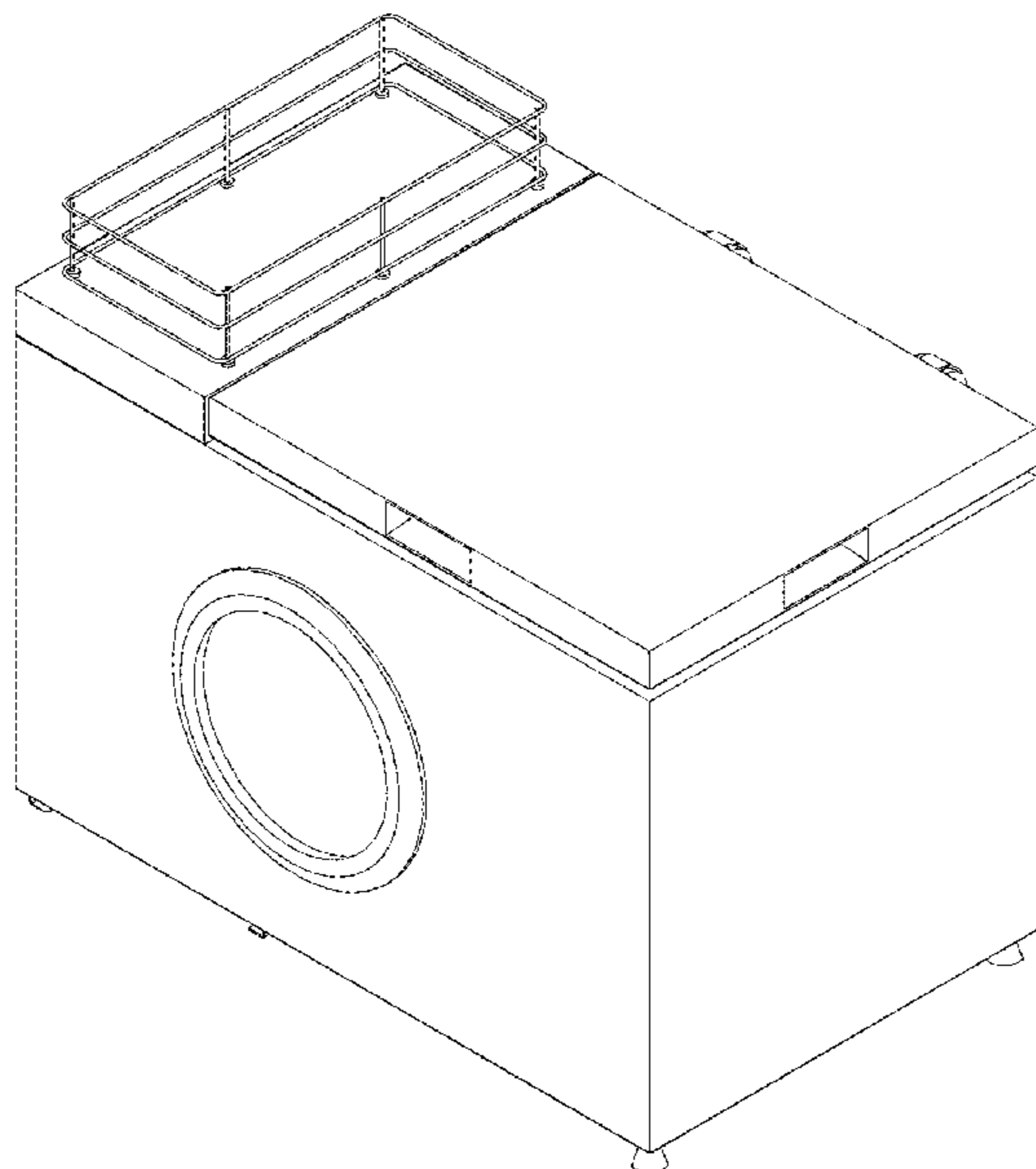


FIG. 1

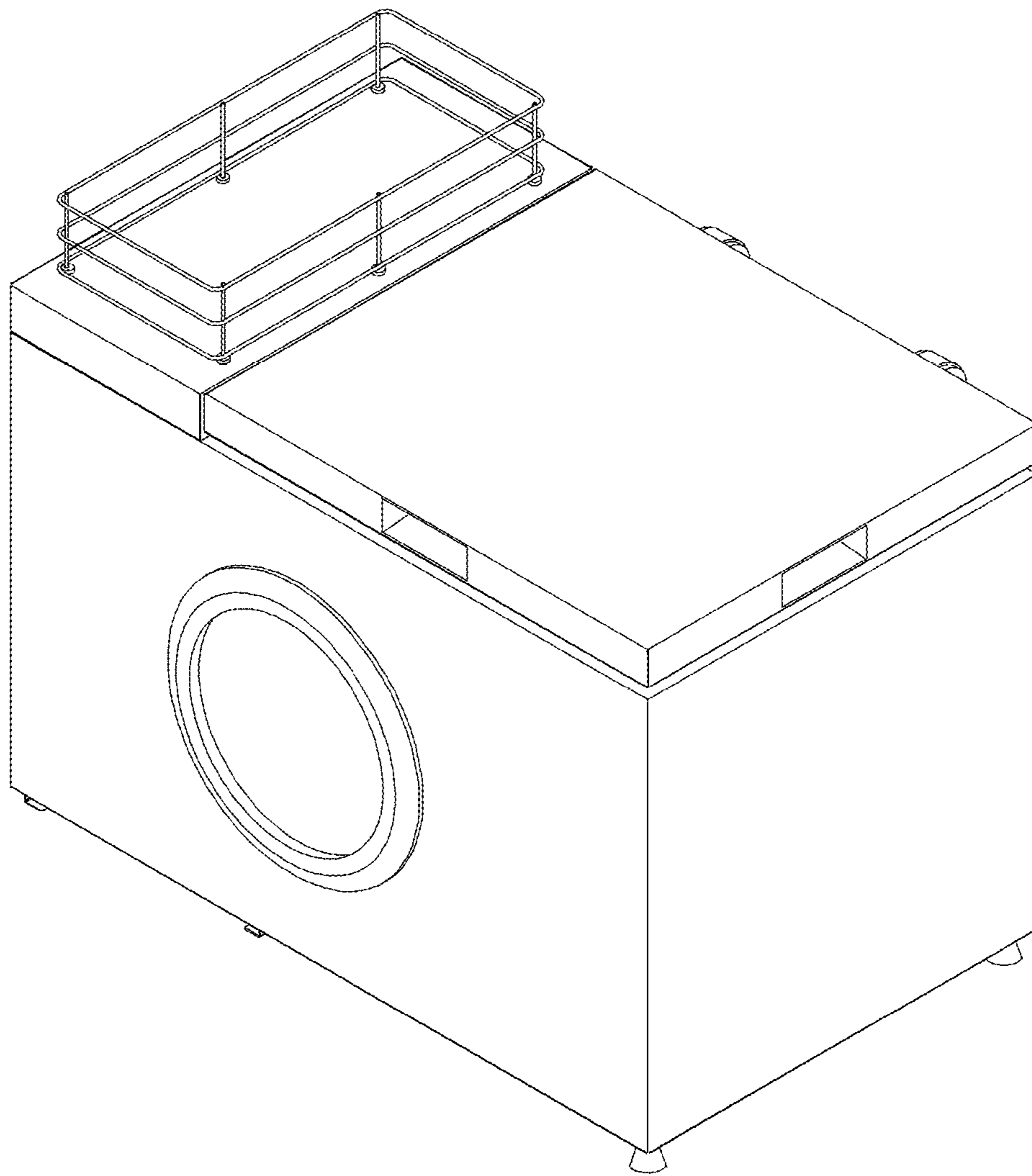


FIG. 2

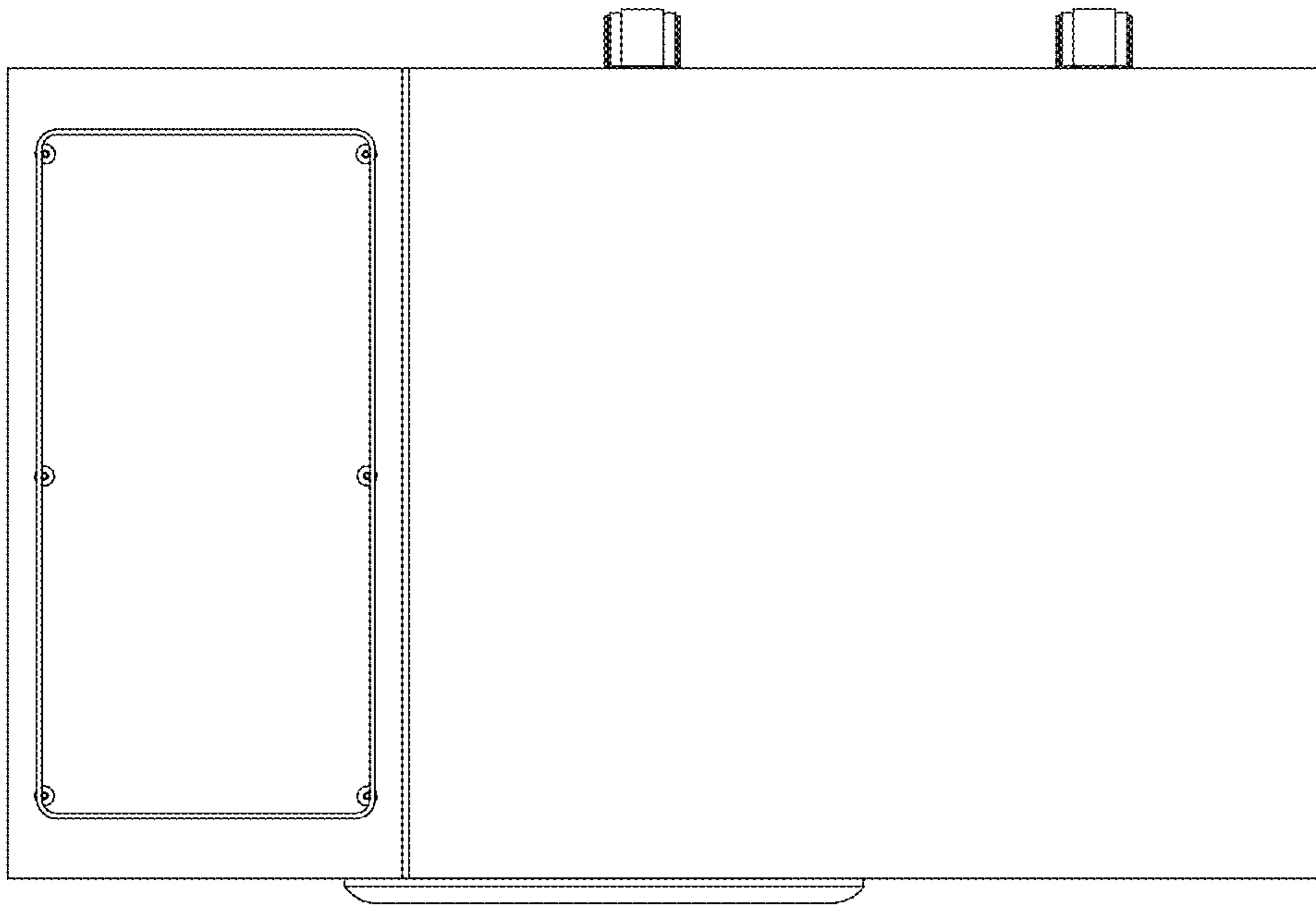


FIG. 3

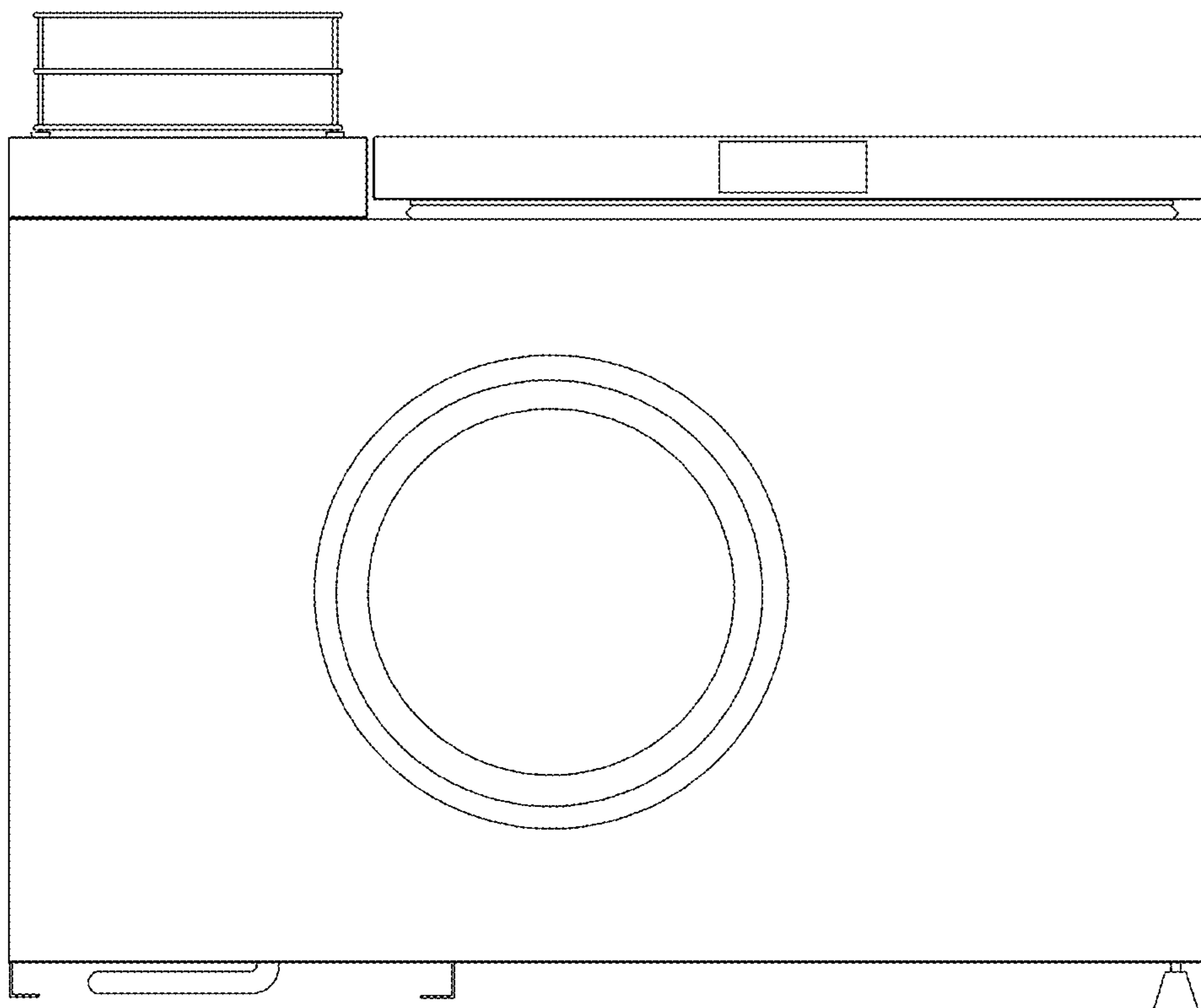


FIG. 4

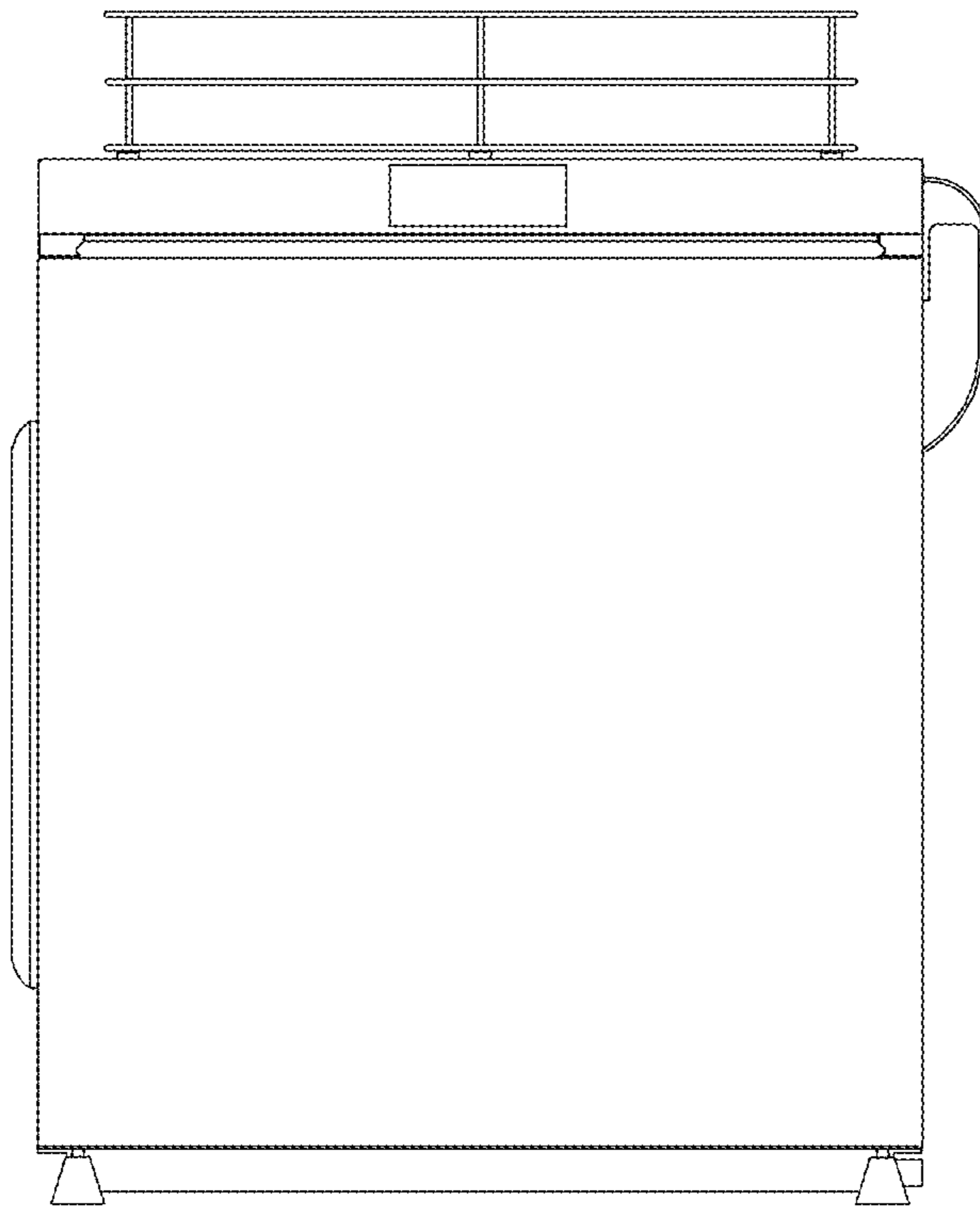


FIG. 5

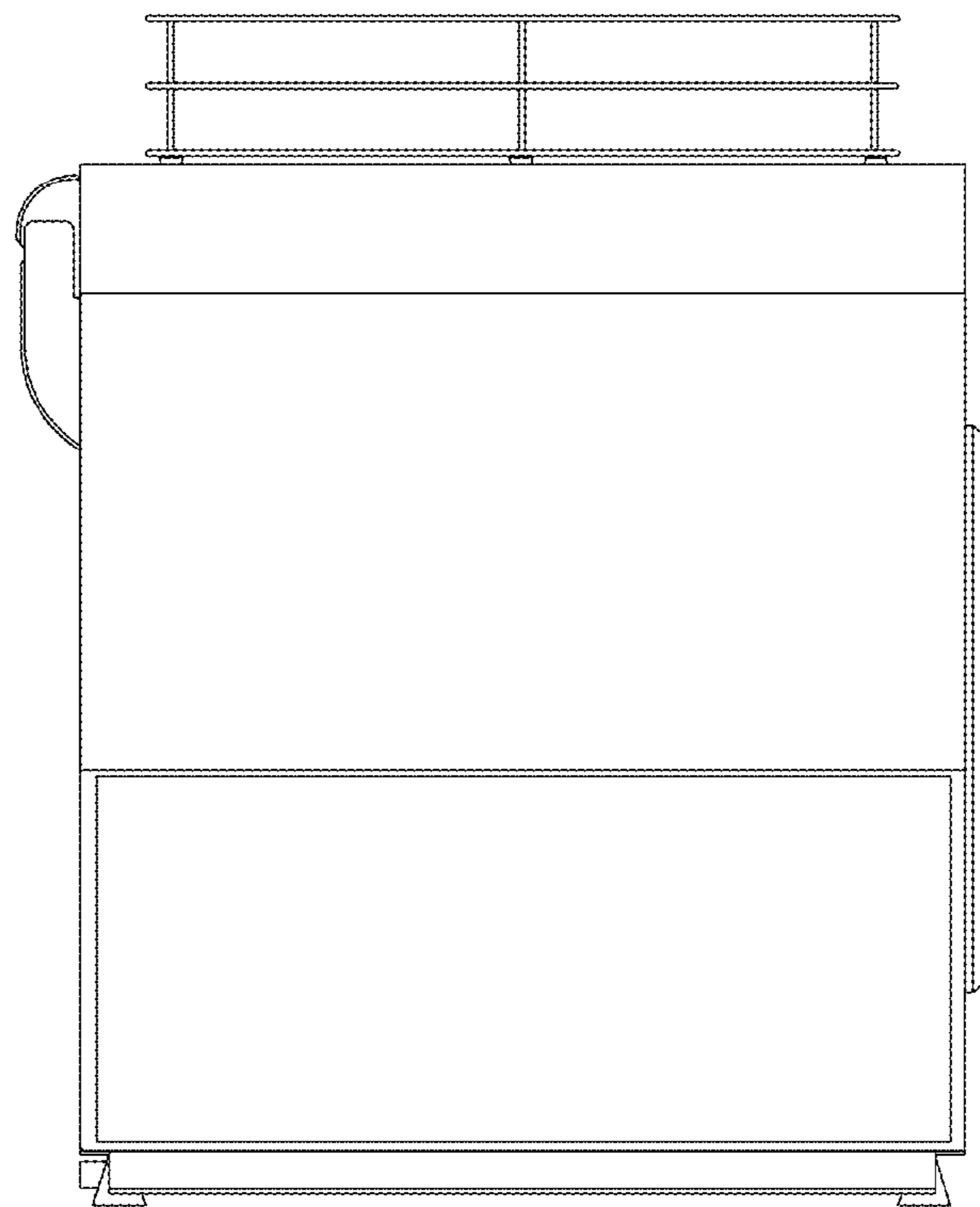


FIG. 6

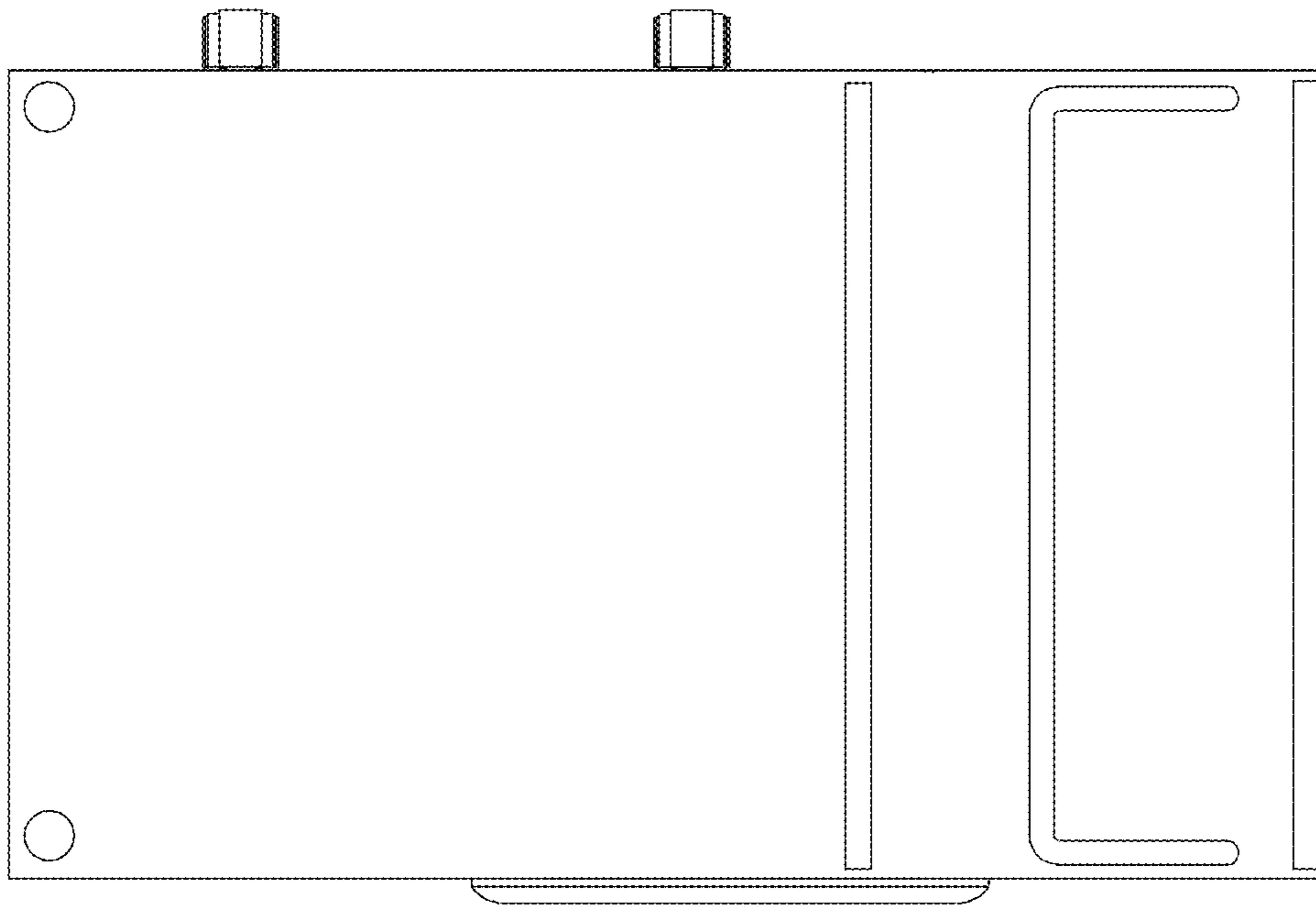


FIG. 7

