



US00D771154S

(12) **United States Design Patent** (10) **Patent No.:** **US D771,154 S**
Lonati et al. (45) **Date of Patent:** **** Nov. 8, 2016**

(54) **KNITTING HEAD FOR A CIRCULAR
KNITTING MACHINE**

(71) Applicant: **SANTONI S.P.A.**, Brescia (IT)

(72) Inventors: **Ettore Lonati**, Botticino (IT); **Fausto
Lonati**, Brescia (IT)

(73) Assignee: **Santoni S.P.A.**, Brescia (IT)

(**) Term: **14 Years**

(21) Appl. No.: **29/496,347**

(22) Filed: **Jul. 11, 2014**

(30) **Foreign Application Priority Data**

Jan. 15, 2014 (IT) BS2014O0002

(51) **LOC (10) Cl.** **15-06**

(52) **U.S. Cl.**
USPC **D15/78**

(58) **Field of Classification Search**
USPC D15/66-78
CPC D04B 13/00; D04B 13/02; D04B 9/00-9/58
See application file for complete search history.

(56) **References Cited**

U.S. PATENT DOCUMENTS

2,153,019 A * 4/1939 Holmes 66/24
D198,581 S * 7/1964 Kamp D15/66
3,859,822 A * 1/1975 Renda et al. 66/8
3,959,992 A * 6/1976 Eschenbach 66/8
4,033,147 A * 7/1977 King 66/8

D246,244 S * 11/1977 Current et al. D15/66
D247,900 S * 5/1978 Current D15/66
4,539,825 A * 9/1985 Colosio 66/24
D311,745 S * 10/1990 Wieland D15/66
5,761,931 A * 6/1998 Lonati et al. 66/148
6,101,848 A * 8/2000 Wang 66/31
6,223,564 B1 * 5/2001 Lonati et al. 66/8
7,310,976 B1 * 12/2007 Renda 66/125 R
8,245,544 B2 * 8/2012 Lonati et al. 66/31
2010/0192637 A1 * 8/2010 Lonati et al. 66/19

* cited by examiner

Primary Examiner — Mitchell Siegel

(74) *Attorney, Agent, or Firm* — Fish & Richardson P.C.

(57) **CLAIM**

The ornamental design of a knitting head for a circular knitting machine, substantially as shown and described.

DESCRIPTION

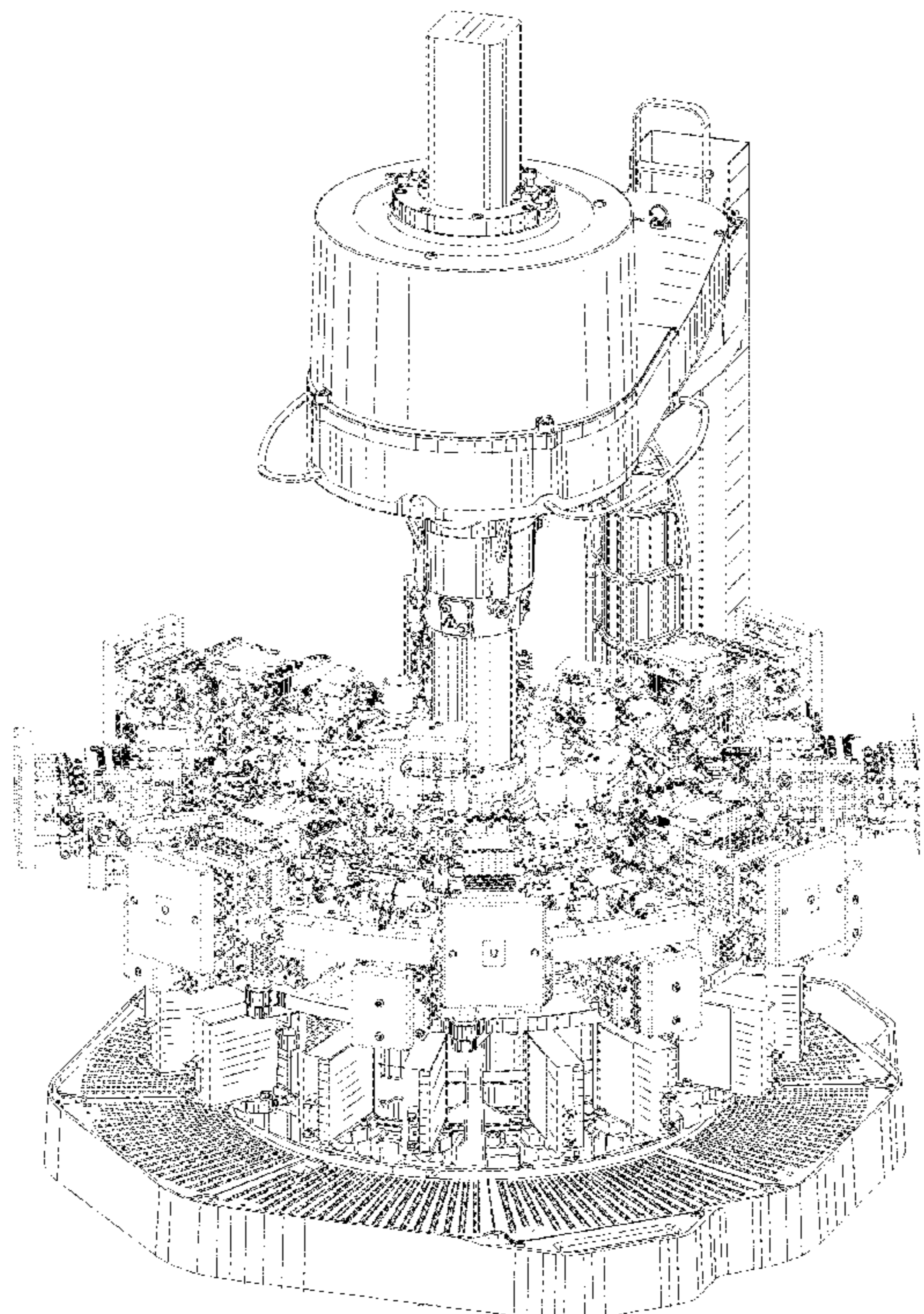
FIG. 1 is a perspective view of a knitting head for a circular knitting machine in accordance with the present design; FIG. 2 is a rear side view thereof; FIG. 3 is a right side view thereof; FIG. 4 is a front side view thereof; FIG. 5 is a left side view thereof; FIG. 6 is a top view thereof; and, FIG. 7 is a bottom view thereof.

Generally, the invention pertains to an ornamental design for an article of manufacture.

The article is not limited to the scale shown herein.

The broken line portions of the figures are included to show unclaimed subject matter only and form no part of the claimed design.

1 Claim, 7 Drawing Sheets



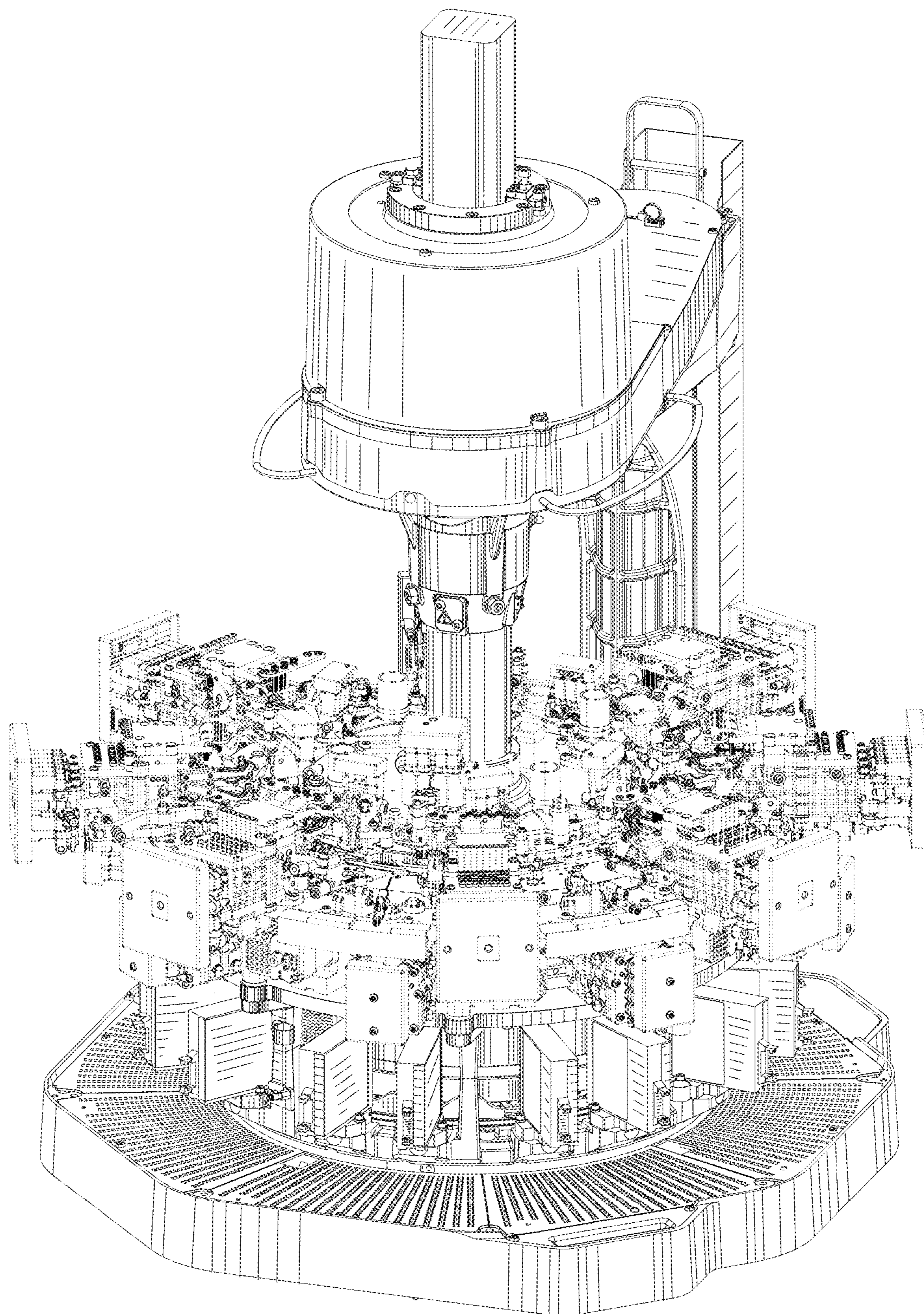


Fig. 1

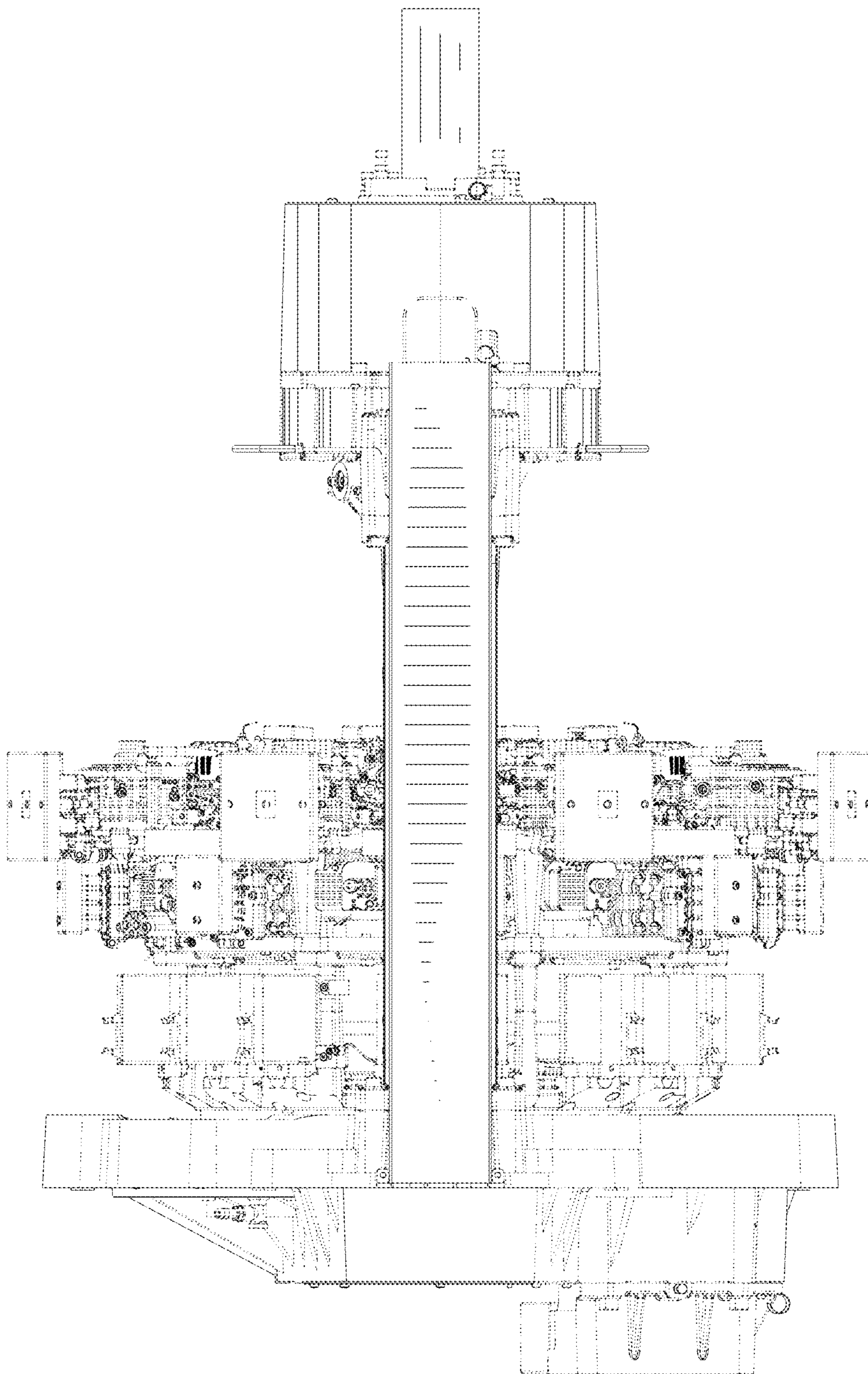


Fig. 2

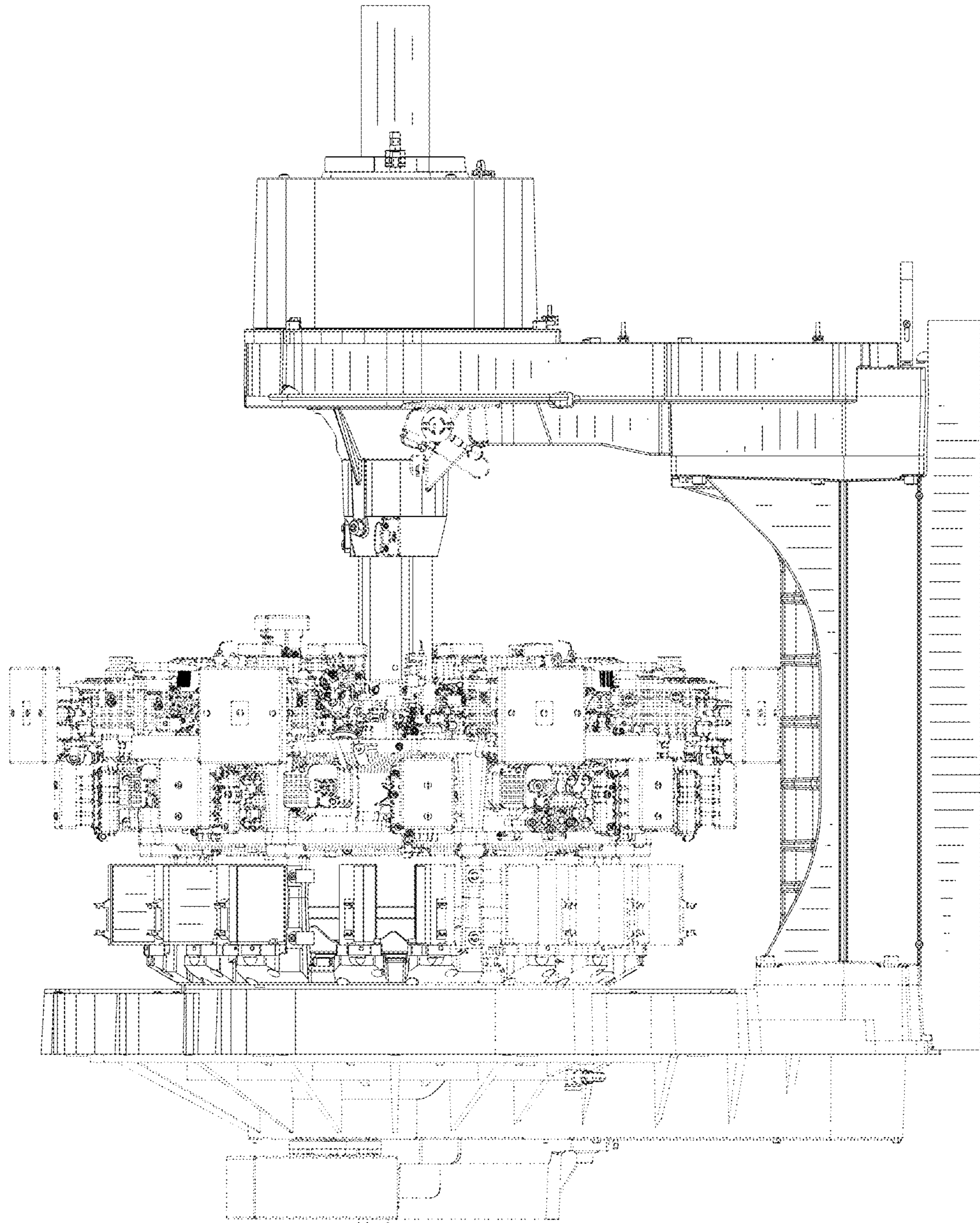


Fig. 3

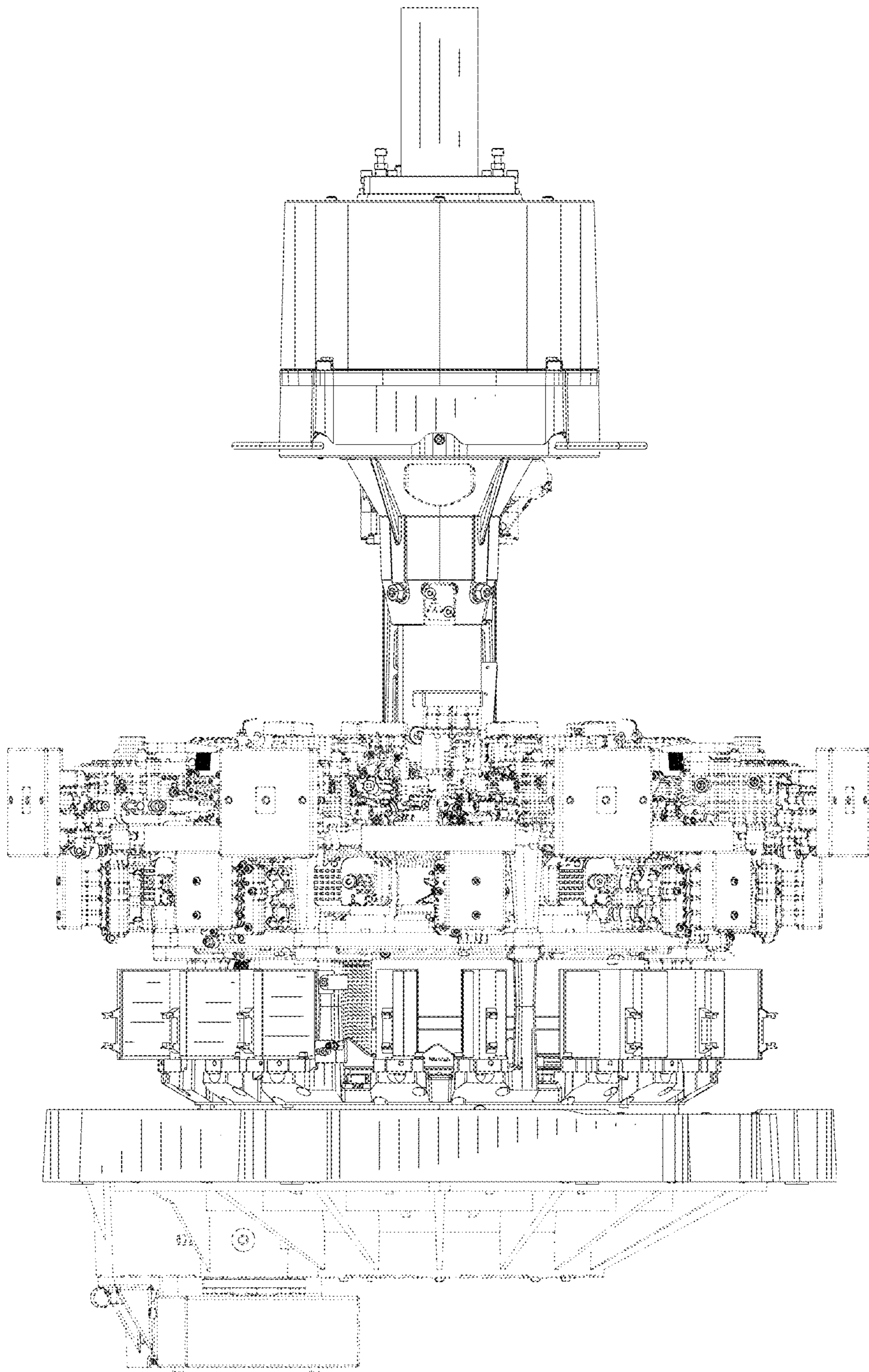


Fig. 4

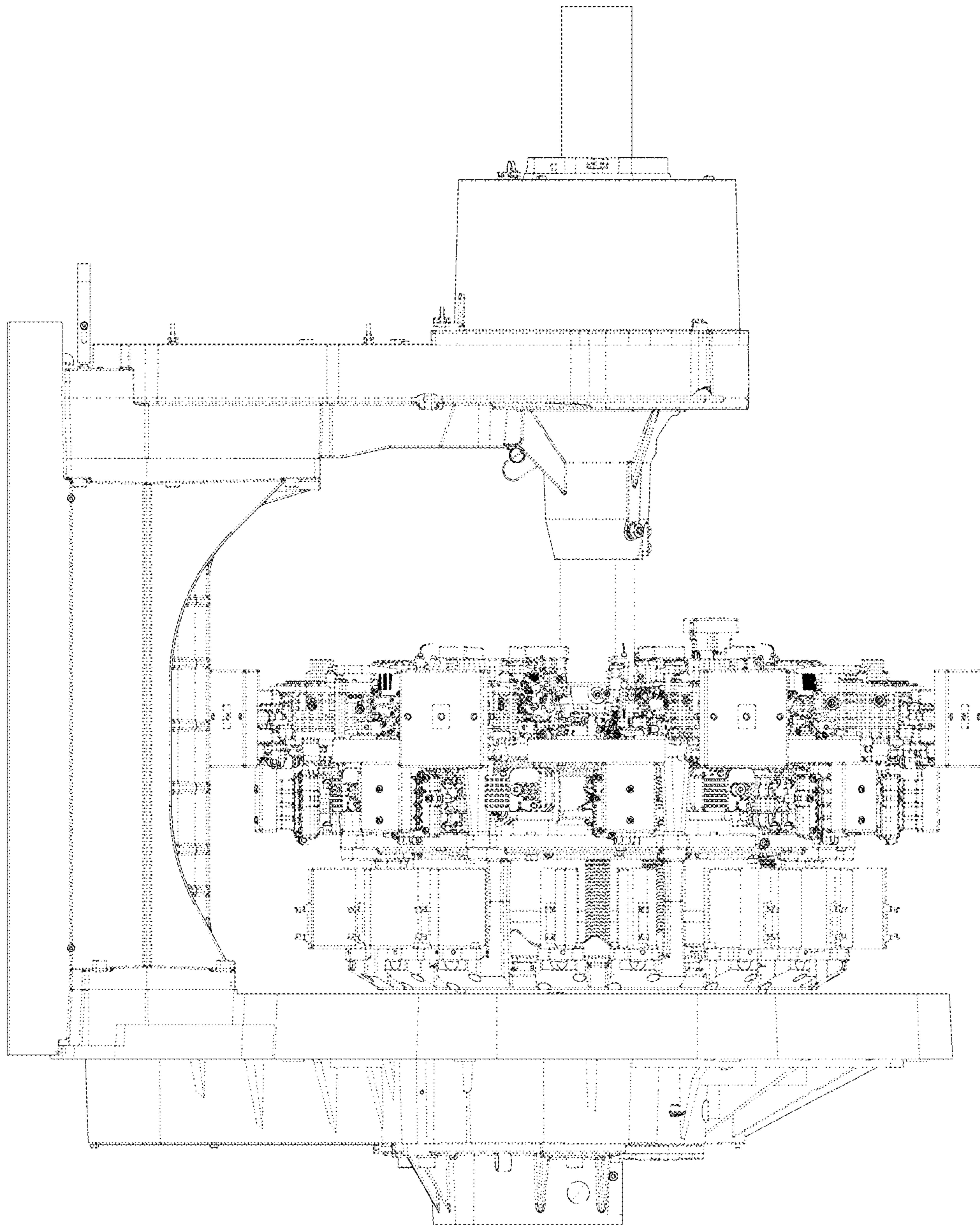


Fig. 5

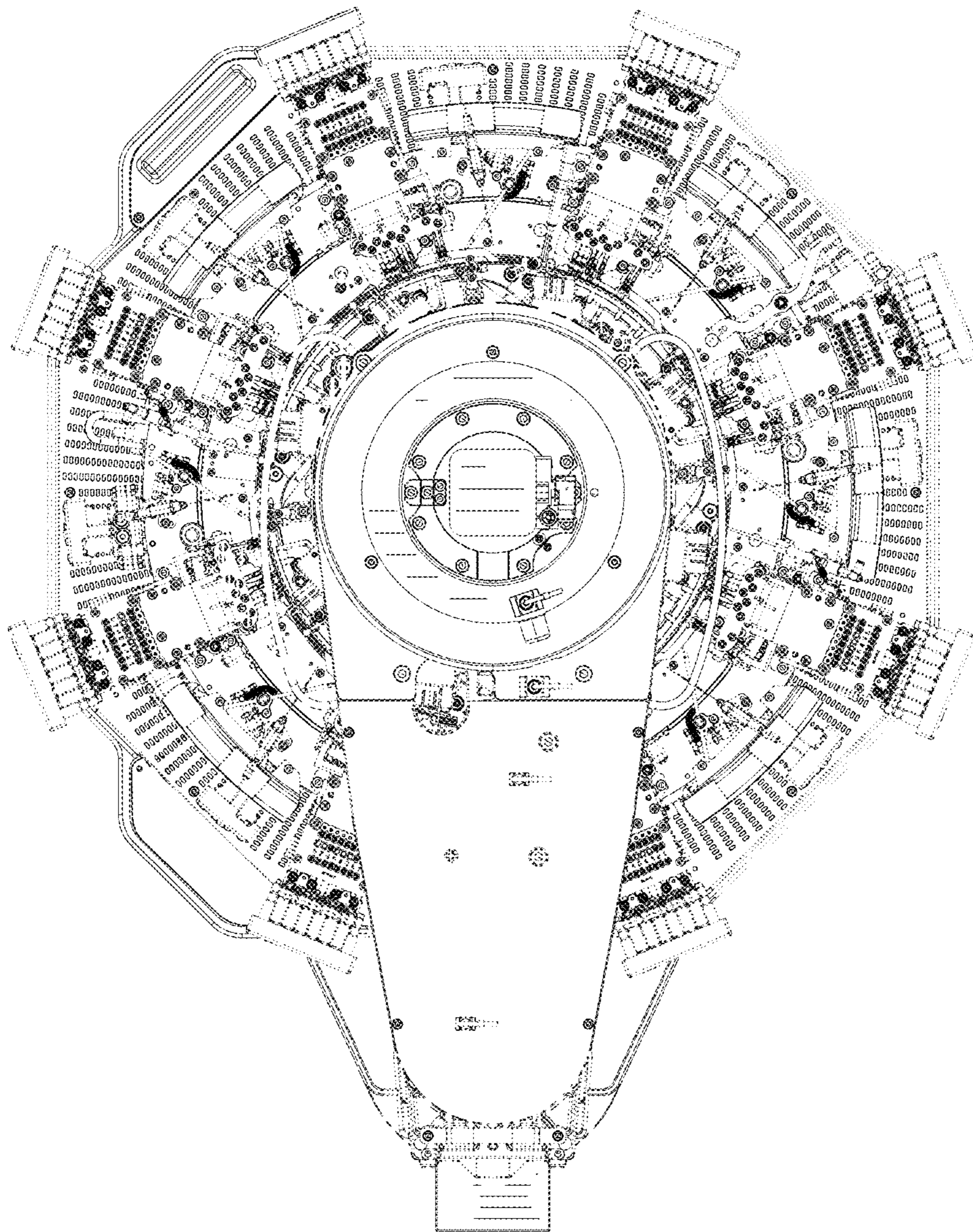


Fig. 6

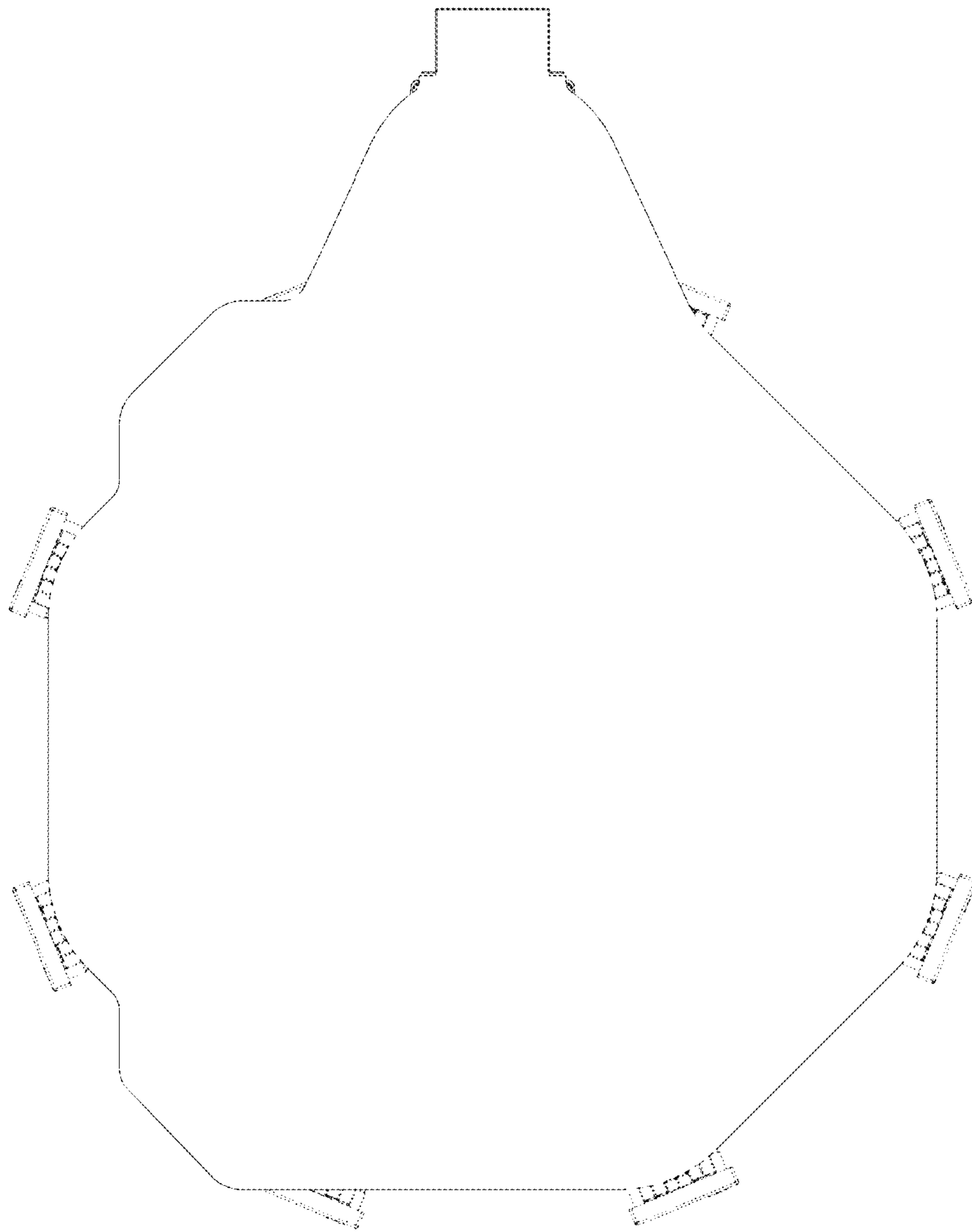


Fig. 7