

US00D771152S

(12) **United States Design Patent** (10) **Patent No.:** **US D771,152 S**
Rush (45) **Date of Patent:** **** Nov. 8, 2016**

- (54) **JOYSTICK**
- (71) Applicant: **The Charles Machine Works, Inc.,**
Perry, OK (US)
- (72) Inventor: **Cole J. Rush,** Morrison, OK (US)
- (73) Assignee: **The Charles Machine Works, Inc.,**
Perry, OK (US)
- (**) Term: **15 Years**
- (21) Appl. No.: **29/538,285**
- (22) Filed: **Sep. 2, 2015**
- (51) **LOC (10) Cl.** **15-03**
- (52) **U.S. Cl.**
USPC **D15/28**
- (58) **Field of Classification Search**
USPC D15/11, 17, 18, 28, 142; D12/179, 174;
D14/117.4; D34/28, 34, 35;
74/471 XY, 475, 489, 523, 473.1;
345/161, 156, 163; 463/37, 38
CPC .. G09G 5/08; G09G 5/00; G05G 2009/0474;
G05G 2009/04777; G05G 2009/04781;
G05G 9/047; G05G 9/00; G05G 1/58;
G05G 1/01; G05G 1/06; G06F 3/03543;
G06F 2203/0333; Y10T 74/20201
See application file for complete search history.

(56) **References Cited**

U.S. PATENT DOCUMENTS

4,738,417	A	4/1988	Wenger	
4,862,165	A	8/1989	Gart	
6,148,593	A	11/2000	Heinsey et al.	
D506,422	S *	6/2005	Crookes	D12/179
7,036,250	B2 *	5/2006	Dressler	E02F 9/2004 180/326
D526,757	S *	8/2006	Bergman	D14/415
D568,796	S *	5/2008	Oliver	D12/179
7,511,236	B2 *	3/2009	Mack	G05G 1/01 200/6 A
D598,023	S *	8/2009	Miller	D12/174
D635,155	S *	3/2011	Blind	D15/28

7,999,790	B2	8/2011	Scott	
8,049,724	B2	11/2011	Van Dalen	
D656,073	S *	3/2012	Foerster	D12/179
8,212,770	B2	7/2012	Obourn et al.	
8,226,155	B2	7/2012	Hill et al.	
D695,792	S *	12/2013	Jensen	D15/28
D712,807	S *	9/2014	Magana	D12/179
D725,681	S *	3/2015	Bonneau	D15/28
D744,544	S *	12/2015	Wuisan	D15/28
D749,647	S *	2/2016	Inaoka	D15/28
9,315,103	B2 *	4/2016	Yamauchi	B60K 26/02
9,342,091	B2 *	5/2016	Wuisan	G05G 1/06
D759,731	S *	6/2016	Roemer	D15/28
2006/0176273	A1 *	8/2006	Wolfe	G06F 3/0338 345/156
2008/0128253	A1 *	6/2008	Mack	G05G 1/01 200/5 R
2009/0200116	A1	8/2009	Wiggins et al.	

(Continued)

FOREIGN PATENT DOCUMENTS

EP	0943976	A2	9/1999
EP	2131261	A2	12/2009

Primary Examiner — Mark Goodwin
(74) *Attorney, Agent, or Firm* — Tomlinson Rust
McKinstry Grable

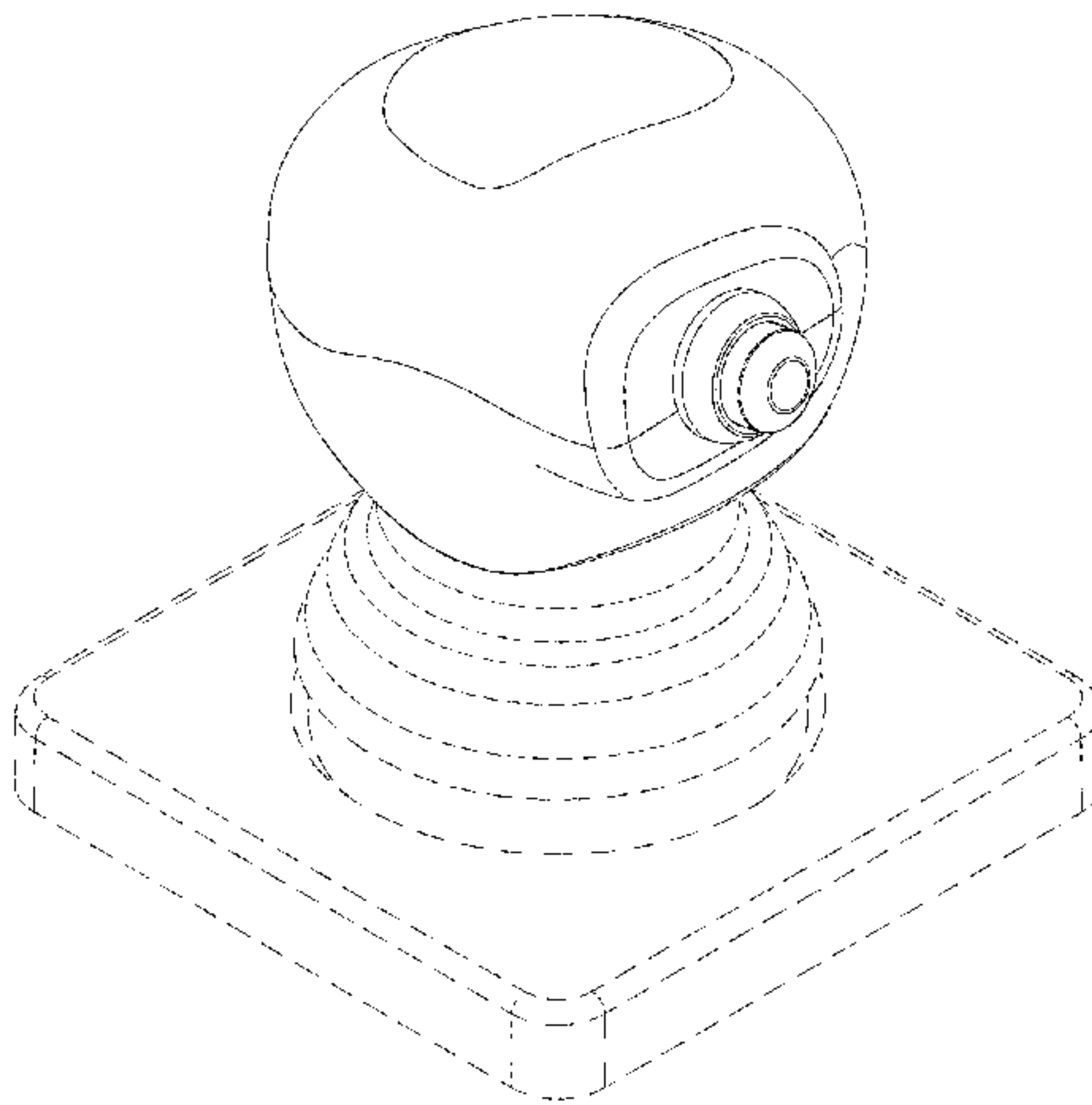
(57) **CLAIM**

The ornamental design for a joystick, as shown and described.

DESCRIPTION

FIG. 1 is a perspective view of a joystick showing my new design;
FIG. 2 is a rear view of the design thereof;
FIG. 3 is a front view of the design thereof;
FIG. 4 is a side view of the design thereof;
FIG. 5 is a side view of the design thereof showing the side opposite of the joystick side shown in FIG. 4; and,
FIG. 6 is a top view of the design thereof.
The broken lines in the drawings are included to illustrate portions of a boot and base to support the joystick and form no part of the claimed design.

1 Claim, 6 Drawing Sheets



(56)

References Cited

U.S. PATENT DOCUMENTS

2011/0048162 A1 3/2011 Miura et al.

2012/0299829 A1 11/2012 Evans et al.
2013/0074645 A1 3/2013 Hakansson et al.

* cited by examiner

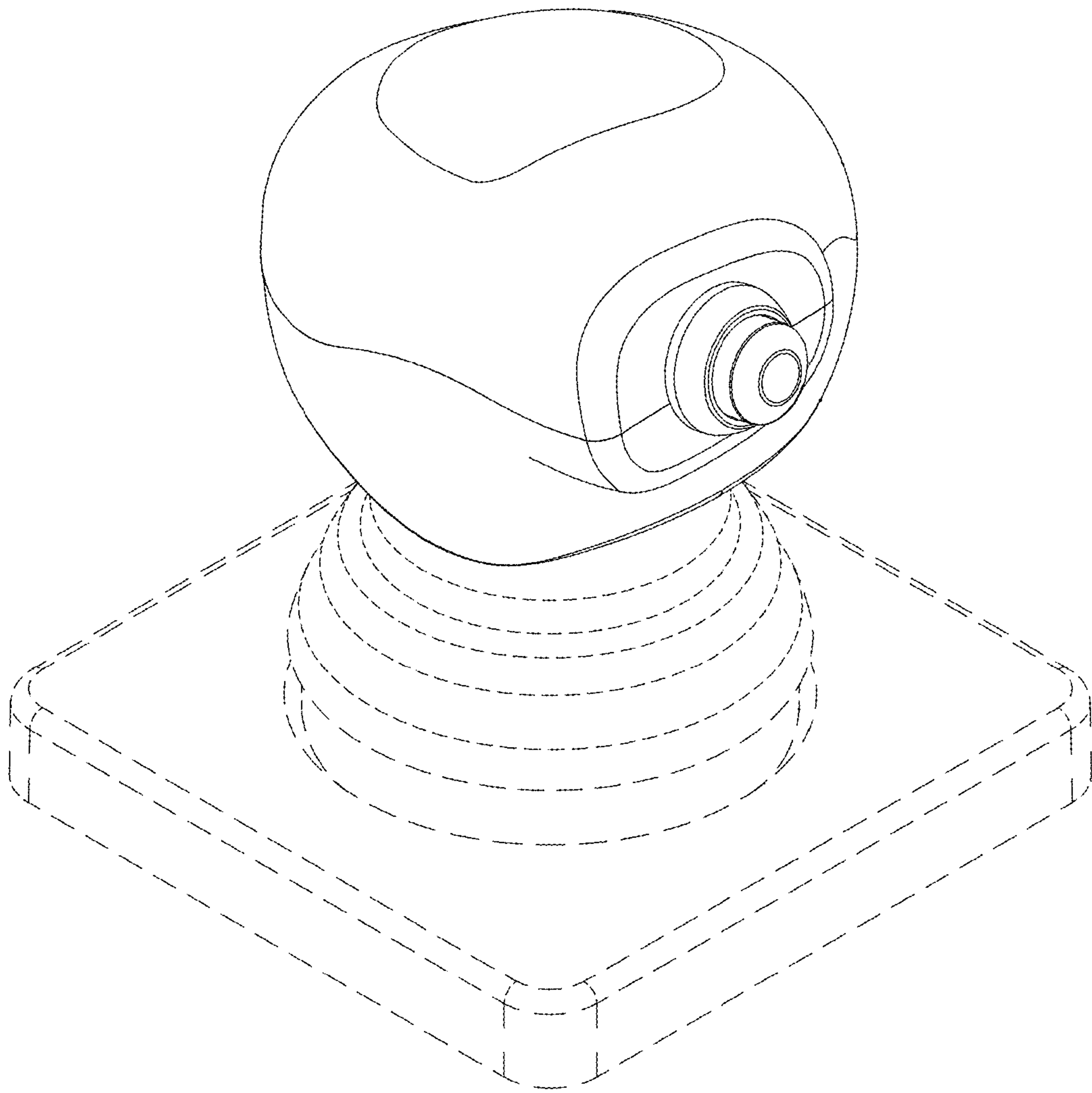


FIG. 1

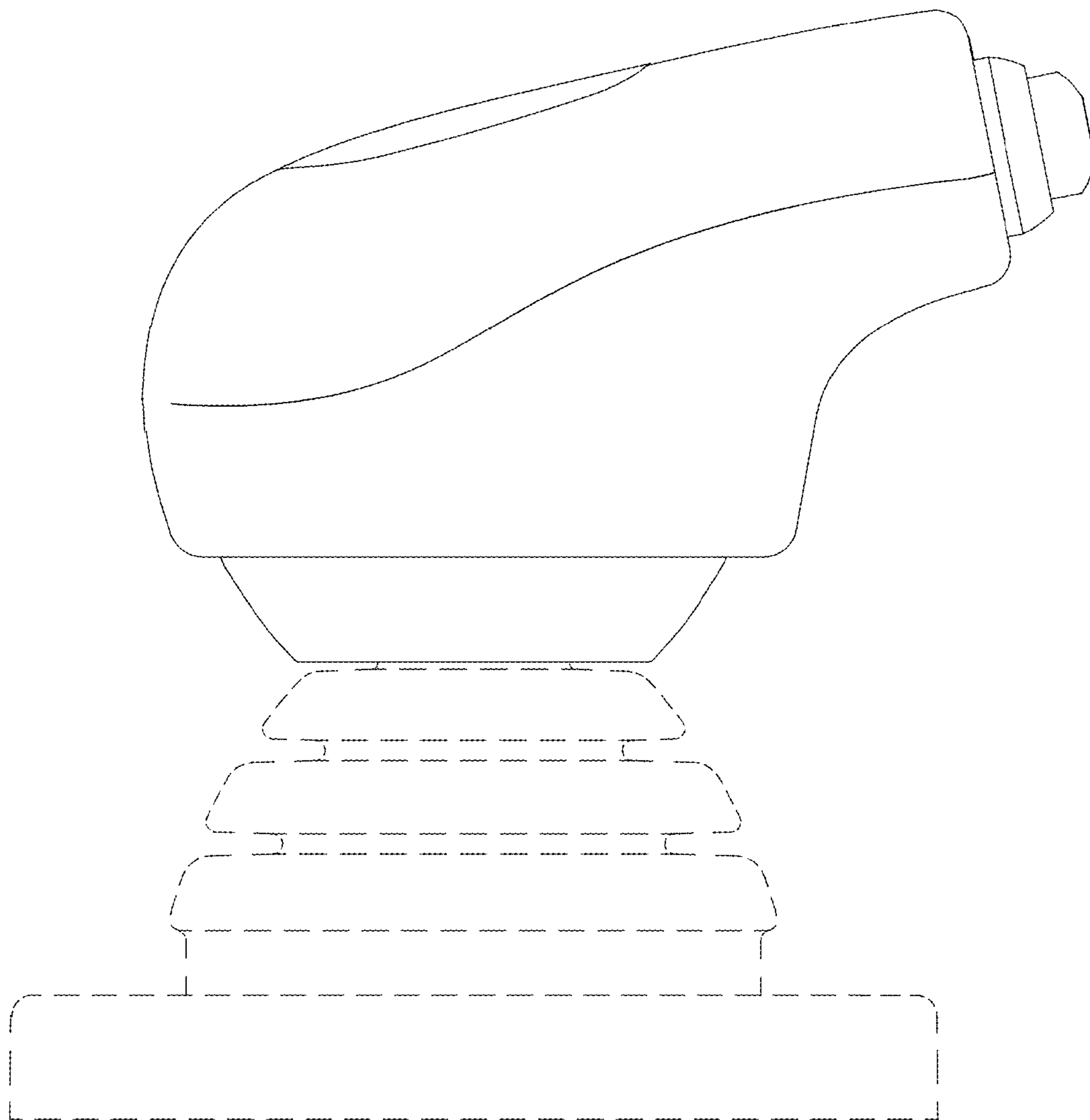


FIG. 2

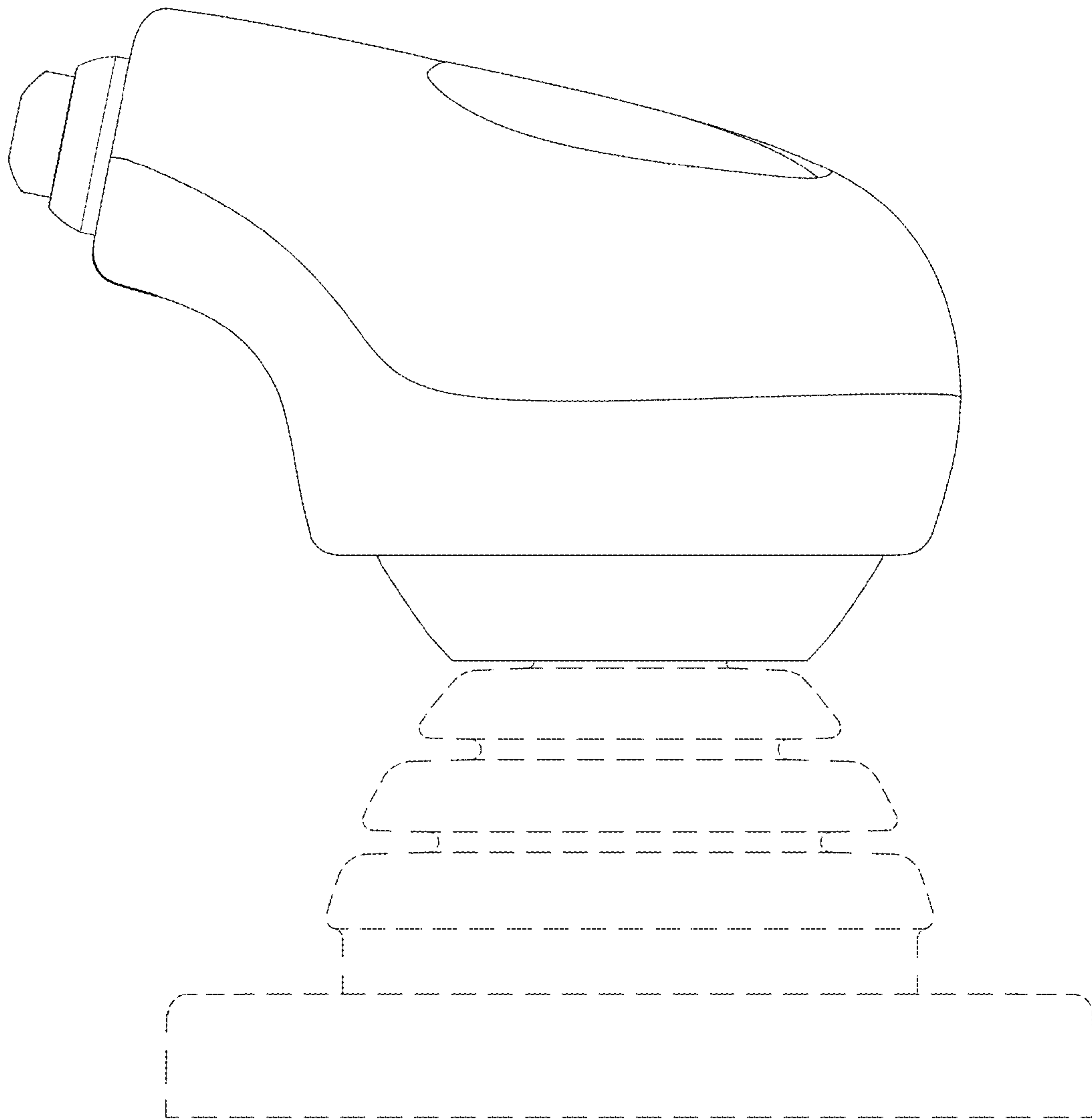


FIG. 3

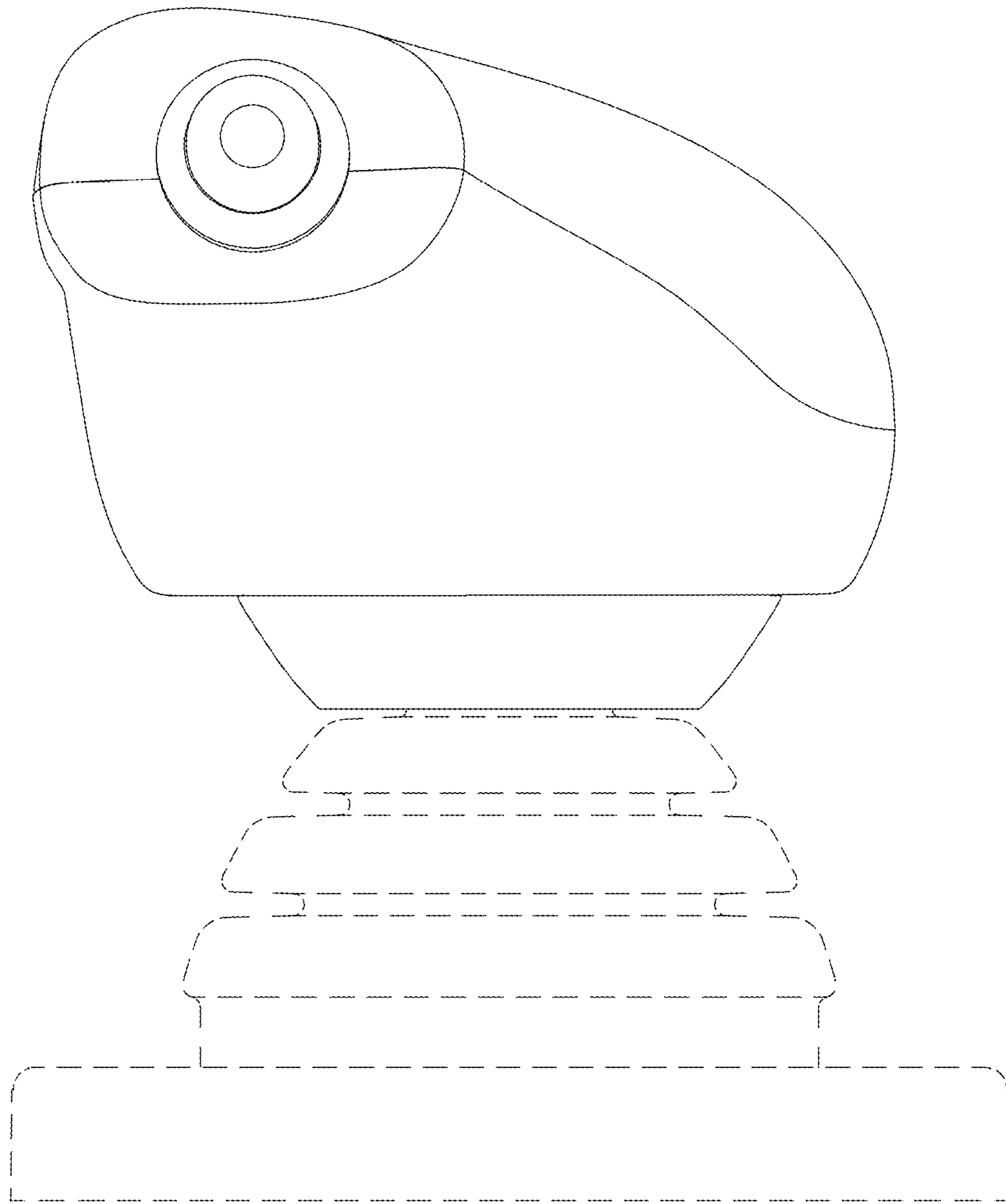


FIG. 4

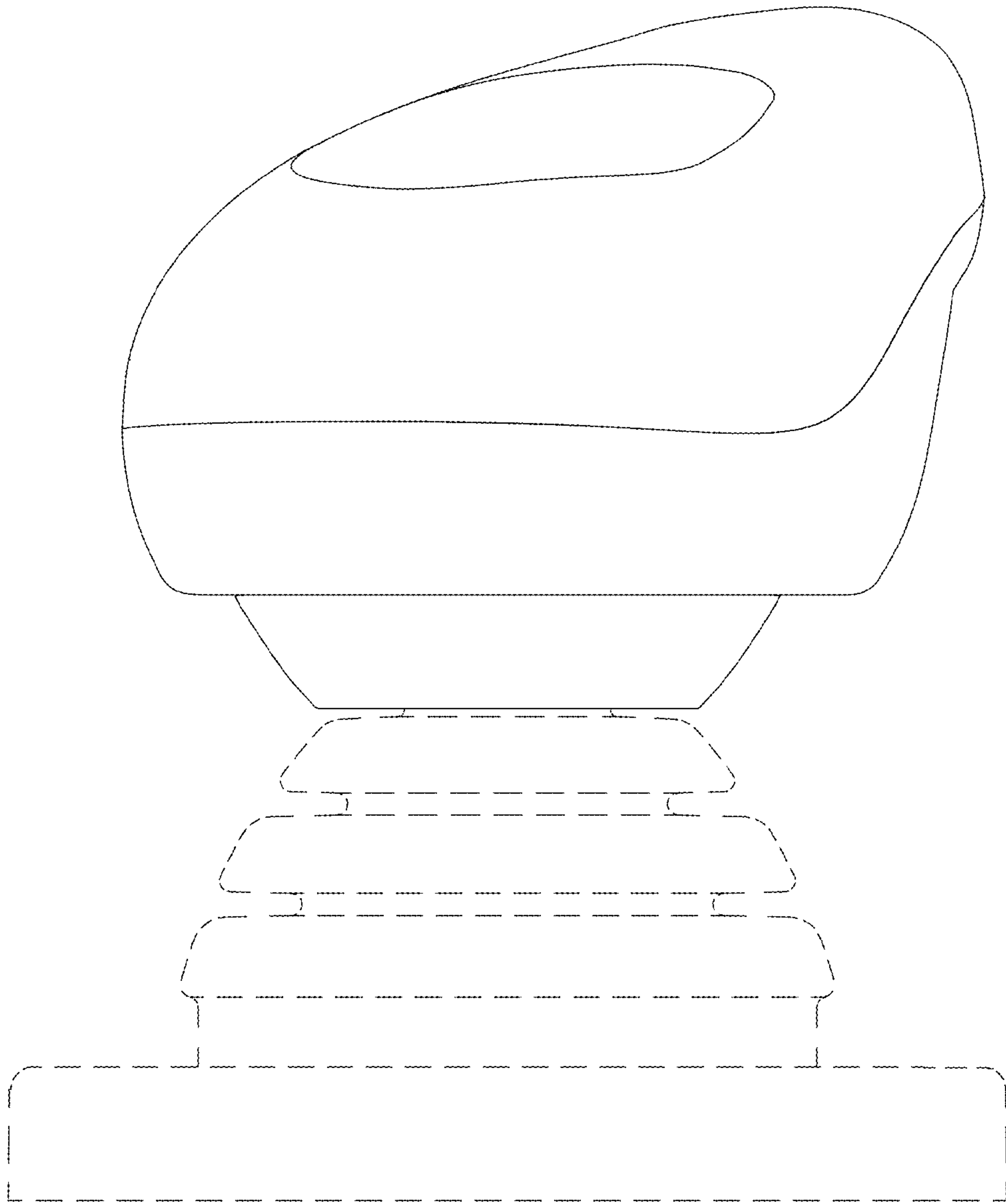


FIG. 5

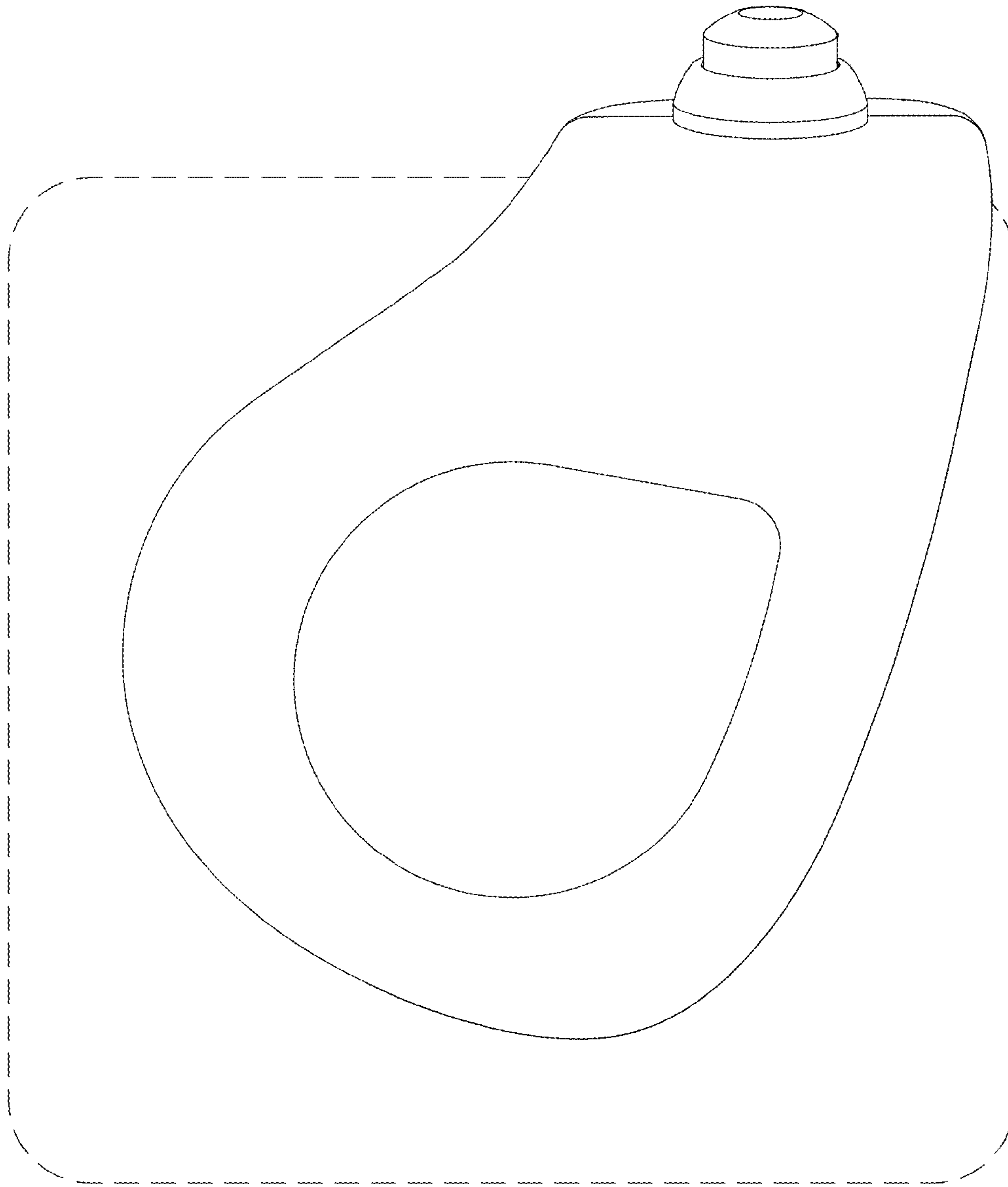


FIG. 6