



US00D771151S

(12) **United States Design Patent** (10) **Patent No.:** **US D771,151 S**
Kinzenbaw et al. (45) **Date of Patent:** **** Nov. 8, 2016**

- (54) **DOUBLE TELESCOPING TONGUE**
- (71) Applicant: **Kinze Manufacturing, Inc.**,
Williamsburg, IA (US)
- (72) Inventors: **Jon Kinzenbaw**, Williamsburg, IA
(US); **Robert Blackwell**, Coralville, IA
(US); **Riley Lind**, North Liberty, IA
(US)
- (73) Assignee: **Kinze Manufacturing, Inc.**,
Williamsburg, IA (US)

6,302,425 B1 *	10/2001	Springer	B60P 3/1083 114/344
D472,188 S *	3/2003	Tambornino	D12/162
D476,272 S *	6/2003	Shaver	D12/162
D485,516 S *	1/2004	McCoy	D12/162
D527,028 S *	8/2006	Ford	D12/162
D671,147 S *	11/2012	Nakamura	D15/28
D672,371 S *	12/2012	Nakamura	D15/28
D672,373 S *	12/2012	Nilsson	D15/28
D672,791 S *	12/2012	Nakamura	D15/28
D678,919 S *	3/2013	Bradley	D15/28
D685,396 S *	7/2013	Newberry	D15/28
D686,251 S *	7/2013	Kimura	D15/28
D750,536 S *	3/2016	Lusty	D12/162

* cited by examiner

(**) Term: **14 Years**

(21) Appl. No.: **29/524,223**

(22) Filed: **Apr. 17, 2015**

(51) **LOC (10) Cl.** **15-03**

(52) **U.S. Cl.**
USPC **D15/28**

(58) **Field of Classification Search**
 USPC D15/28, 33, 32, 27, 11, 17; D12/162;
 280/414.1, 414.2, 476.1, 405, 415,
 280/423, 491.1, 491.2
 CPC B62D 53/00; B62D 53/08; B60D 1/02;
 B60D 1/07; B60D 1/06; B60D 1/52; B66F
 9/10; B66F 9/147; B66F 9/12; B66F 9/14;
 E02F 9/02; E02F 9/085
 See application file for complete search history.

(56) **References Cited**

U.S. PATENT DOCUMENTS

3,011,800 A *	12/1961	Mitsuyasu	B60D 1/155 280/482
D242,613 S *	12/1976	Prather	D34/31
D245,606 S *	8/1977	Williams	D12/162
4,230,335 A *	10/1980	Glassmeyer	B62D 53/0864 280/476.1
D284,669 S *	7/1986	Clark	D15/28
D337,292 S *	7/1993	Carda	D12/162
D354,263 S *	1/1995	Clark	D12/162
D372,001 S *	7/1996	Alford	D12/104

Primary Examiner — Mark Goodwin

(74) Attorney, Agent, or Firm — McKee, Voorhees & Sease, PLC

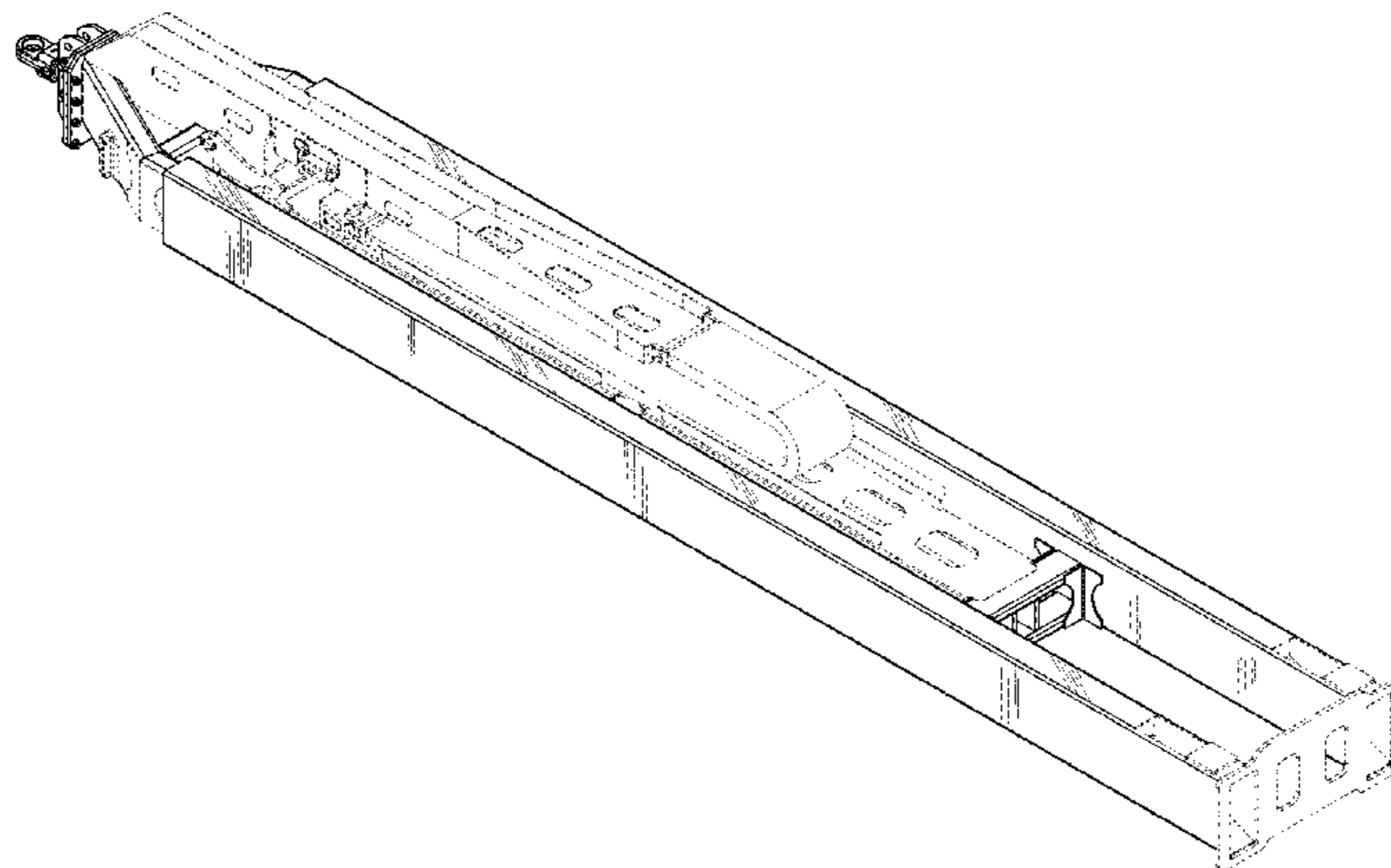
(57) **CLAIM**

We claim the ornamental design for a double telescoping tongue, as shown and described.

DESCRIPTION

FIG. 1 is a perspective view of a double telescoping tongue in a closed position.
 FIG. 2 is a top plan view of the double telescoping tongue in a closed position.
 FIG. 3 is a bottom plan view of the double telescoping tongue in a closed position.
 FIG. 4 is a side elevation view of the double telescoping tongue in a closed position.
 FIG. 5 is a perspective view of the double telescoping tongue in an open position.
 FIG. 6 is a top plan view of the double telescoping tongue in an open position.
 FIG. 7 is a bottom plan view of the double telescoping tongue in an open position; and,
 FIG. 8 is a side elevation view of the double telescoping tongue in an open position.
 The subject matter shown in broken lines in the drawings are unclaimed features of the article in which the claimed design is embodied.

1 Claim, 8 Drawing Sheets



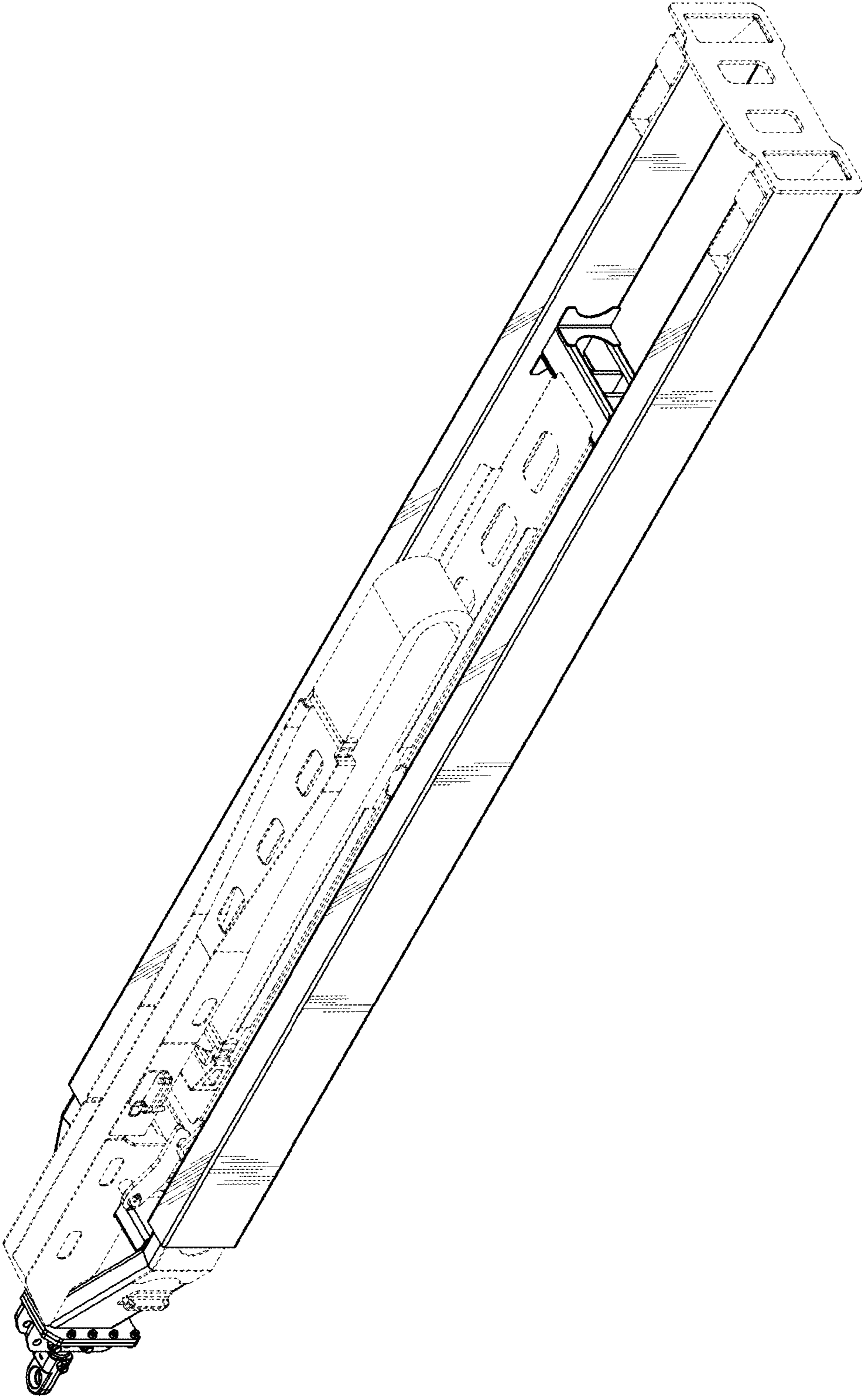


Fig. 1

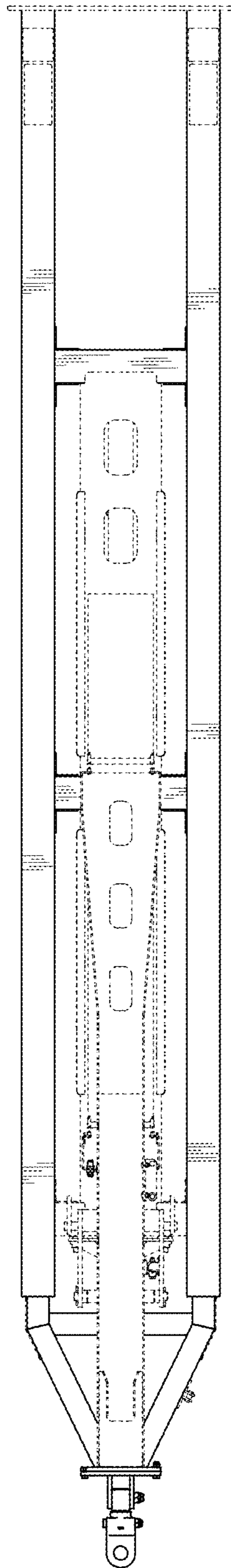


Fig. 2

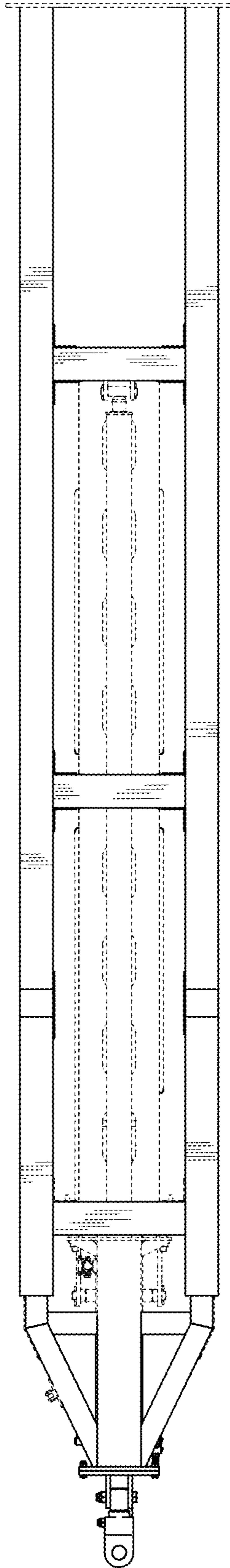


Fig. 3

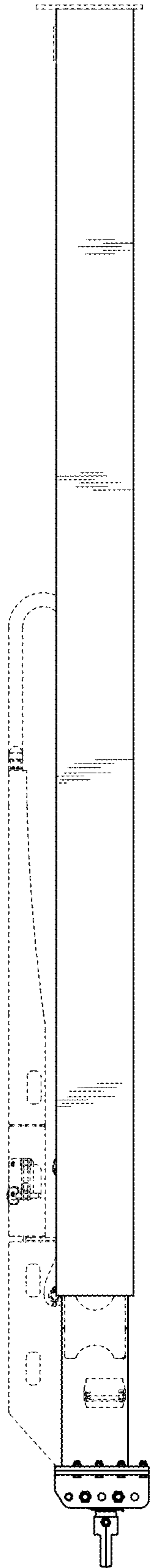


Fig. 4

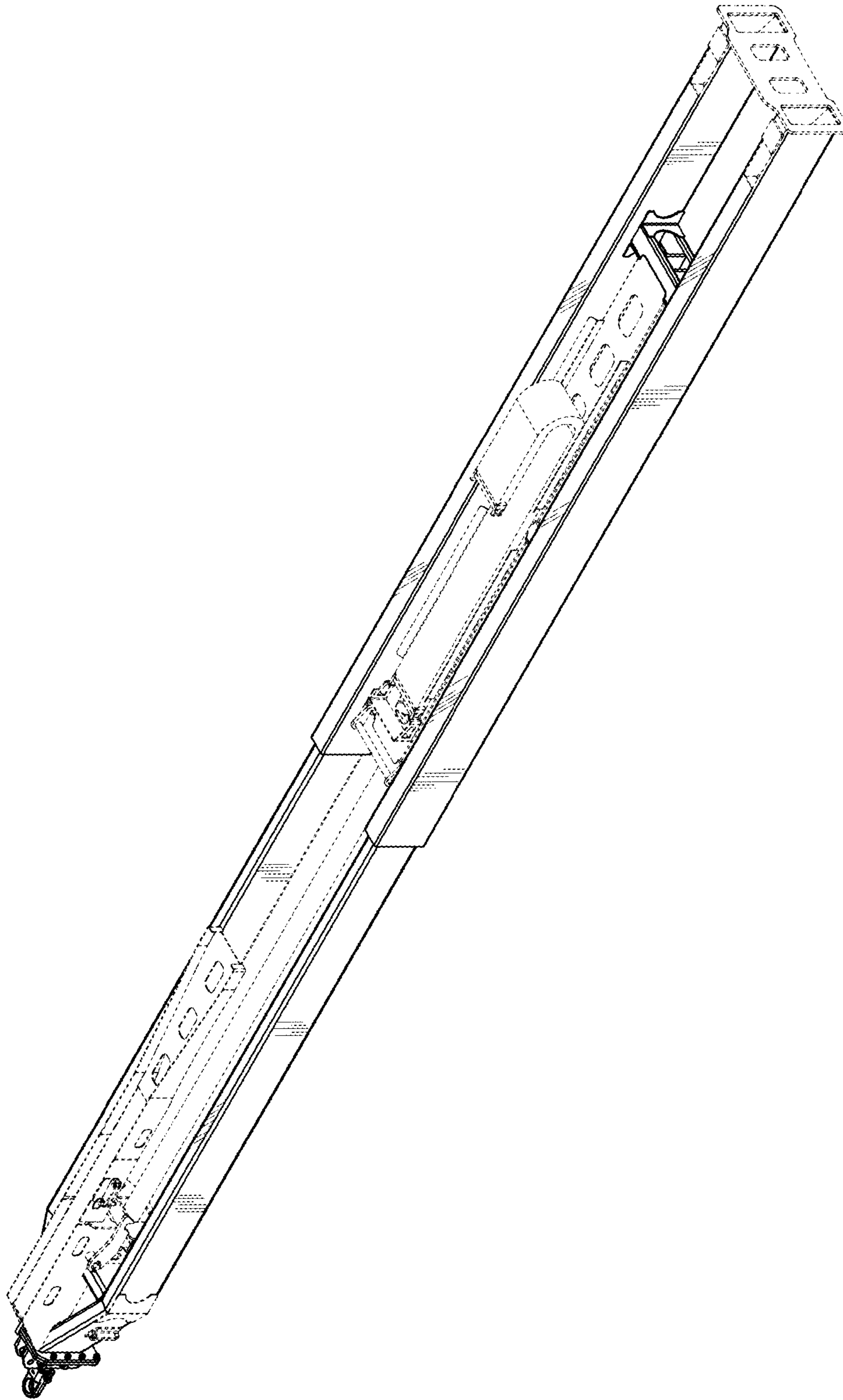


Fig. 5

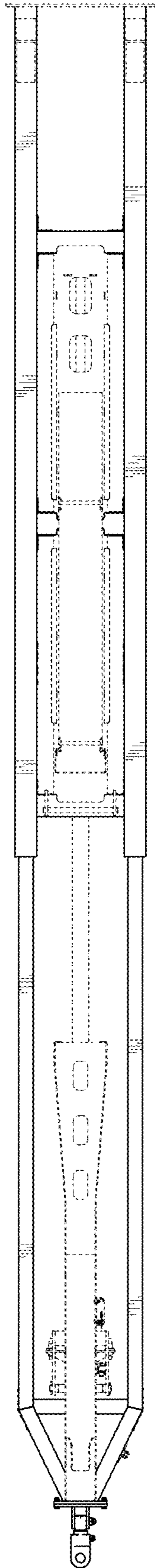


Fig. 6

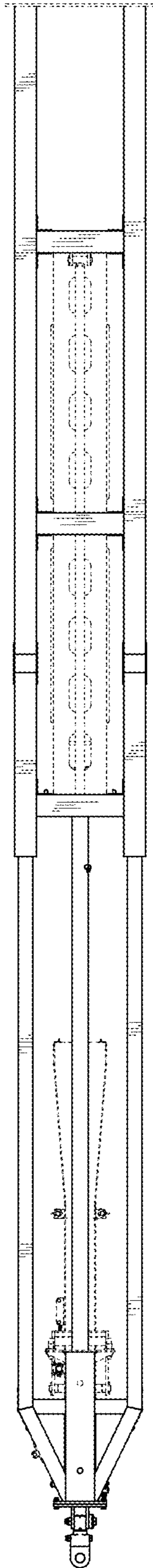


Fig. 7

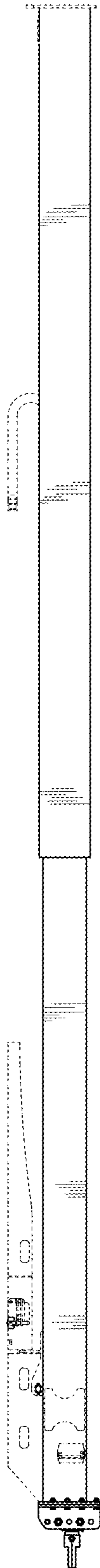


Fig. 8