



US00D771149S

(12) **United States Design Patent**
McCulloch

(10) **Patent No.:** **US D771,149 S**

(45) **Date of Patent:** **** Nov. 8, 2016**

(54) **RAIL TRANSPOSING MACHINE**

(71) Applicant: **W & D McCulloch Ltd.**, Girvan,
Ayrshire (GB)

(72) Inventor: **William Francis McCulloch**, Ayrshire
(GB)

(73) Assignee: **W & D McCulloch Ltd.**, Ayrshire
(GB)

(**) Term: **15 Years**

(21) Appl. No.: **29/539,544**

(22) Filed: **Sep. 15, 2015**

(51) **LOC (10) Cl.** **12-09**

(52) **U.S. Cl.**
USPC **D15/23**

(58) **Field of Classification Search**
USPC D15/10, 11, 15, 17, 22, 23, 25, 26, 28,
D15/30

CPC .. B62D 49/00; B62D 49/06; B62D 49/0671;
B62D 49/0692; B62D 33/06; B62D 33/0617;
B62D 21/186; B62D 53/028; E02F 9/0841;
E02F 3/3411; E02F 3/76; E02F 3/34; E02F
3/00; E02F 7/00

See application file for complete search history.

(56) **References Cited**

U.S. PATENT DOCUMENTS

D609,252 S * 2/2010 Shimada D15/24
D657,394 S * 4/2012 Chapman D15/10

D685,394 S * 7/2013 Nagata D15/24
D692,464 S * 10/2013 Sumitani D15/24
D692,465 S * 10/2013 Sumitani D15/24
D707,261 S * 6/2014 Caboret D15/24
D759,127 S * 6/2016 Higuchi D15/24

* cited by examiner

Primary Examiner — Ian Simmons

Assistant Examiner — Khawaja Anwar

(74) *Attorney, Agent, or Firm* — Drinker Biddle & Reath
LLP

(57) **CLAIM**

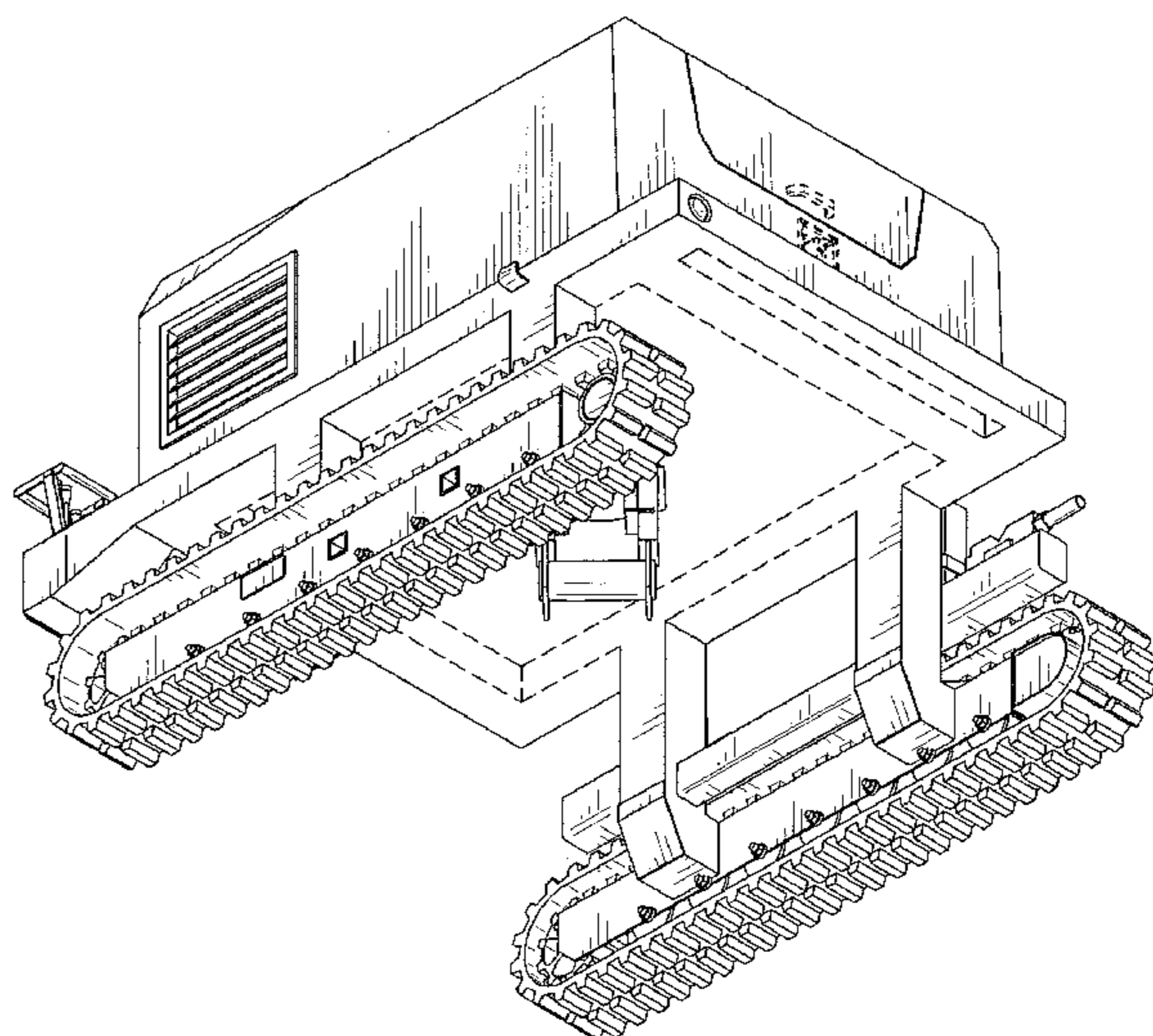
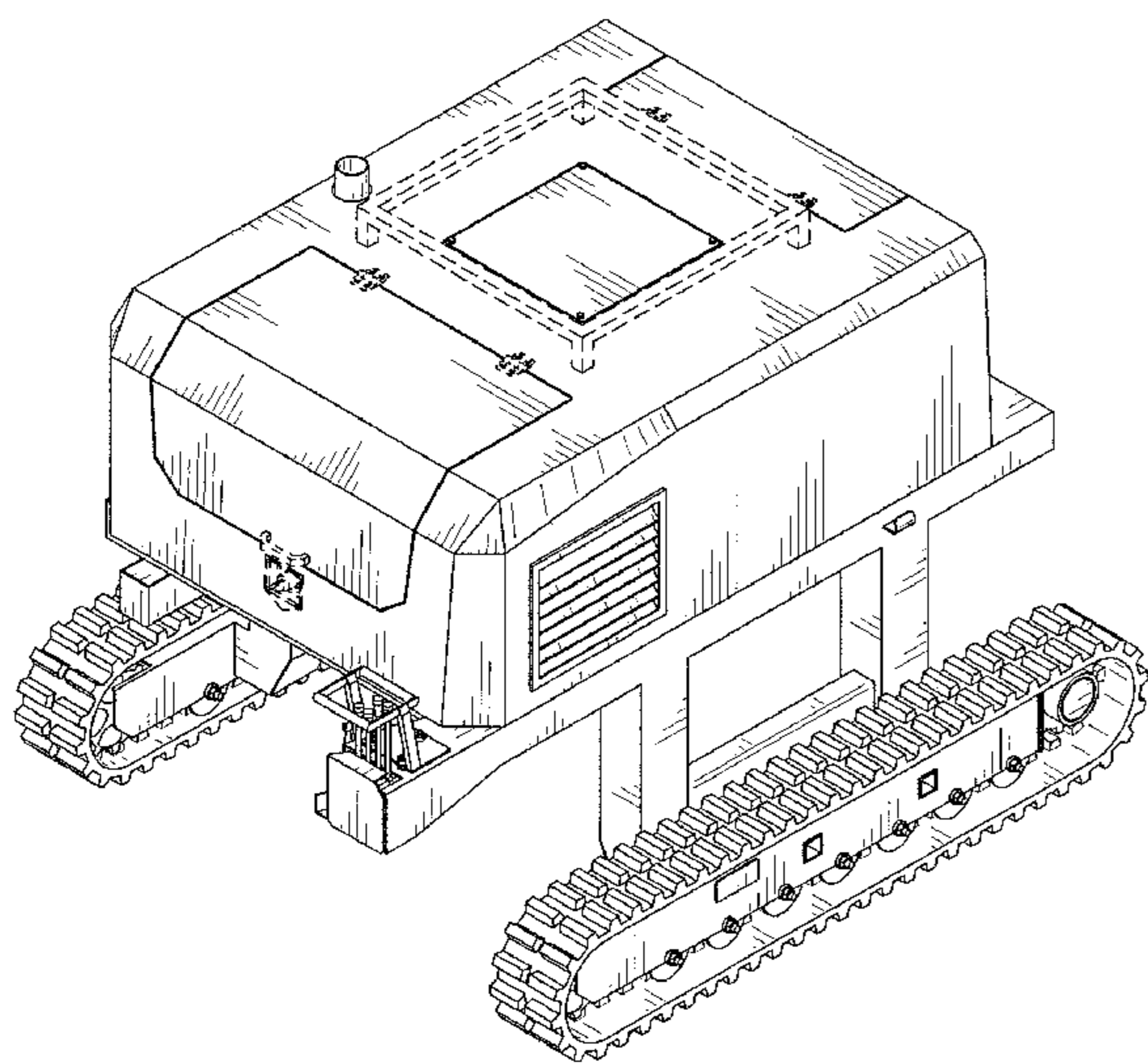
The ornamental design for a rail transposing machine, as shown and described.

DESCRIPTION

FIG. 1 is a front perspective view of a rail transposing machine, showing my new design;
FIG. 2 is a rear perspective view thereof;
FIG. 3 is a right side elevation view thereof;
FIG. 4 is a left side elevation view thereof;
FIG. 5 is a top plan view thereof;
FIG. 6 is a bottom plan view thereof;
FIG. 7 is a front elevation view thereof; and,
FIG. 8 is a rear view thereof.

The broken lines shown in the drawings represent unclaimed environment only and form no part of the claimed design.

1 Claim, 6 Drawing Sheets



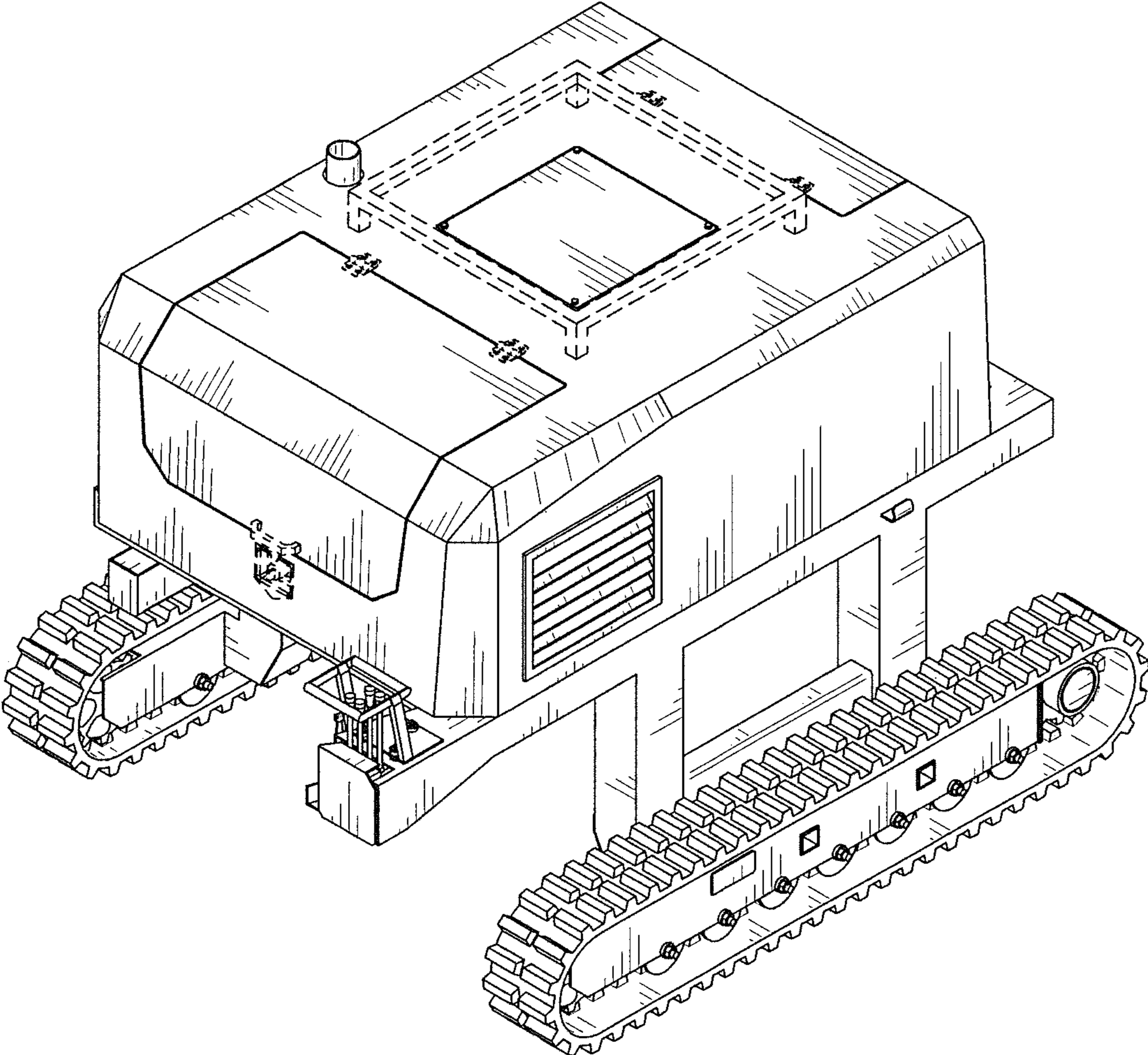


FIG. 1

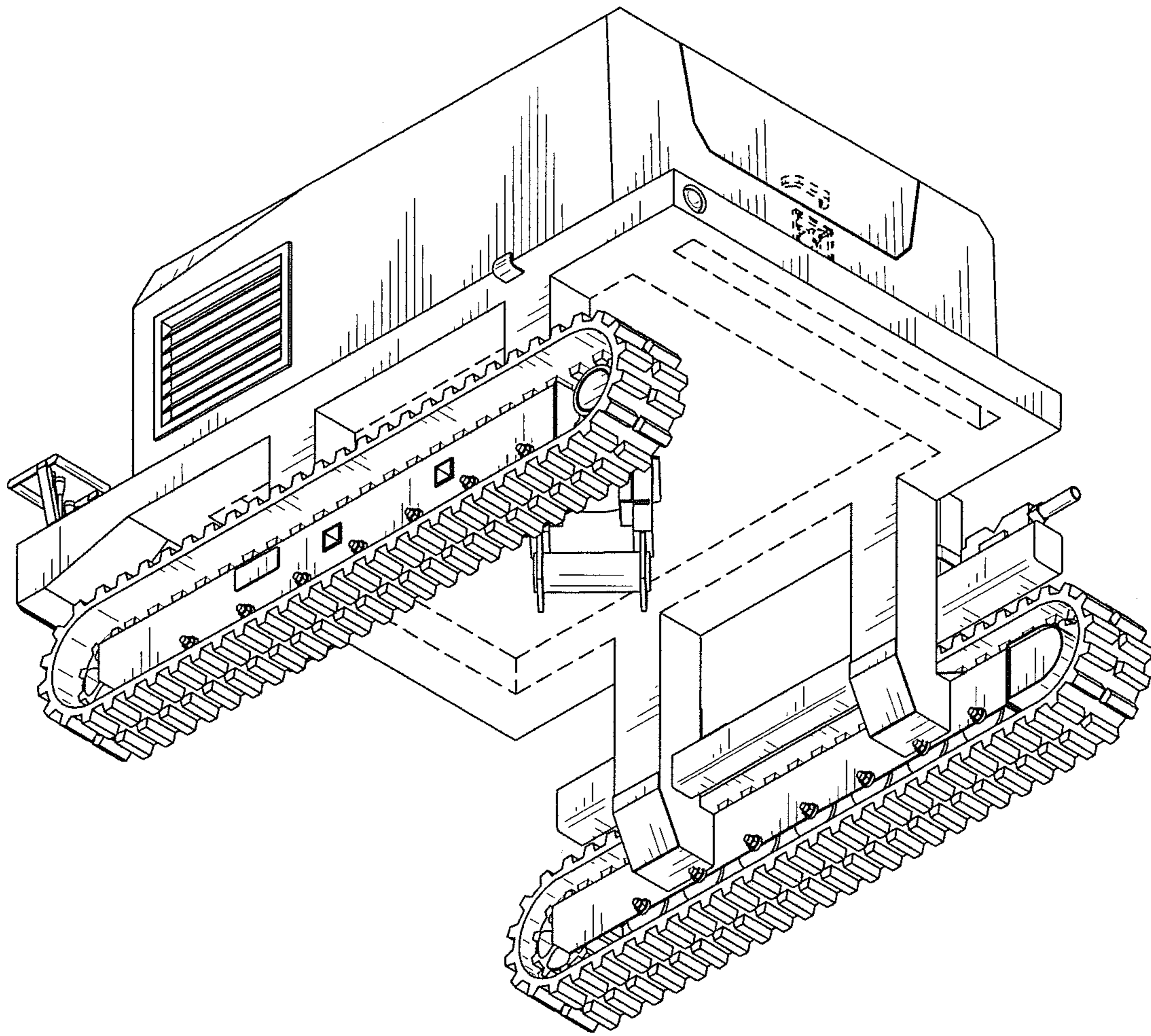


FIG. 2

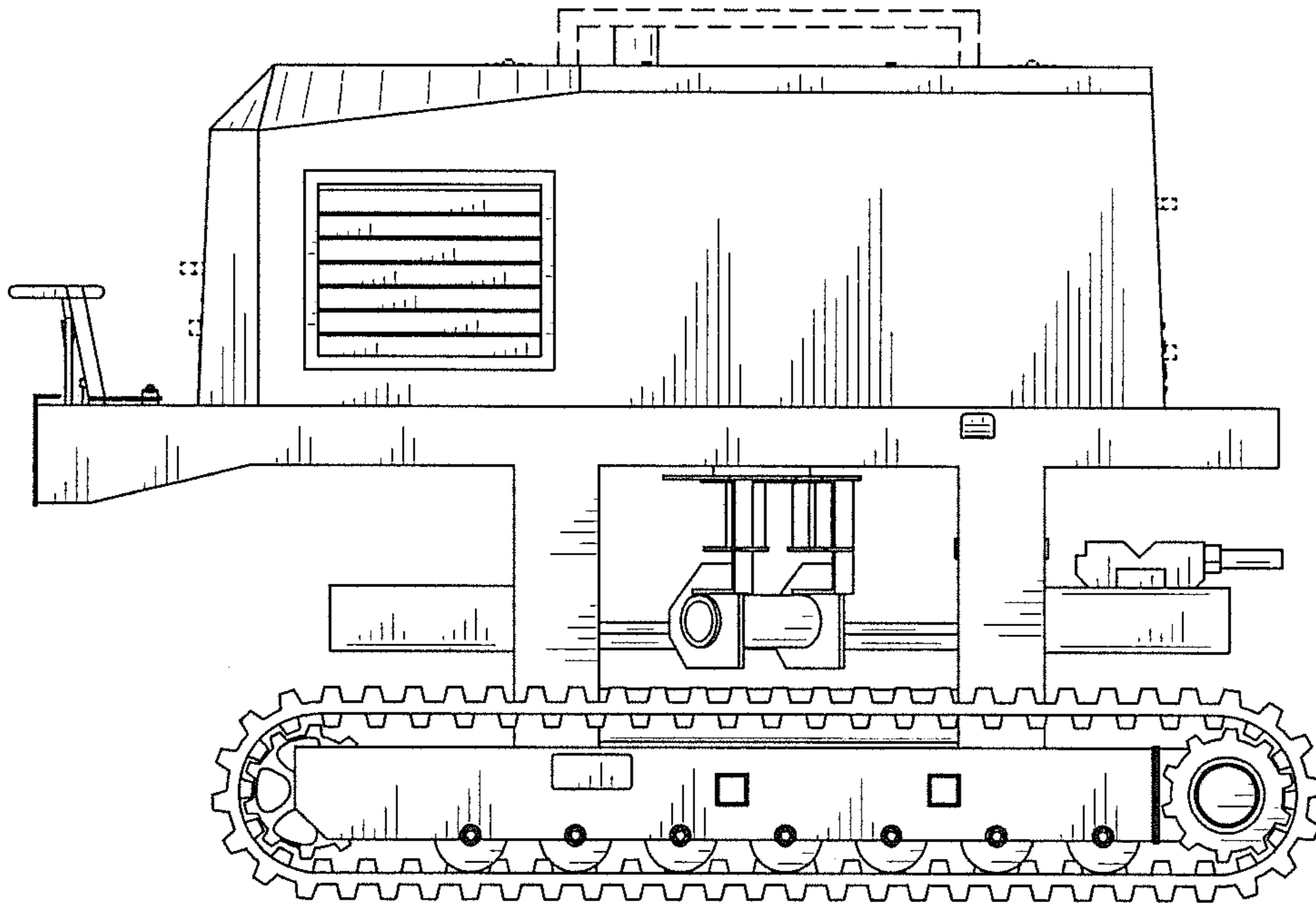


FIG. 3

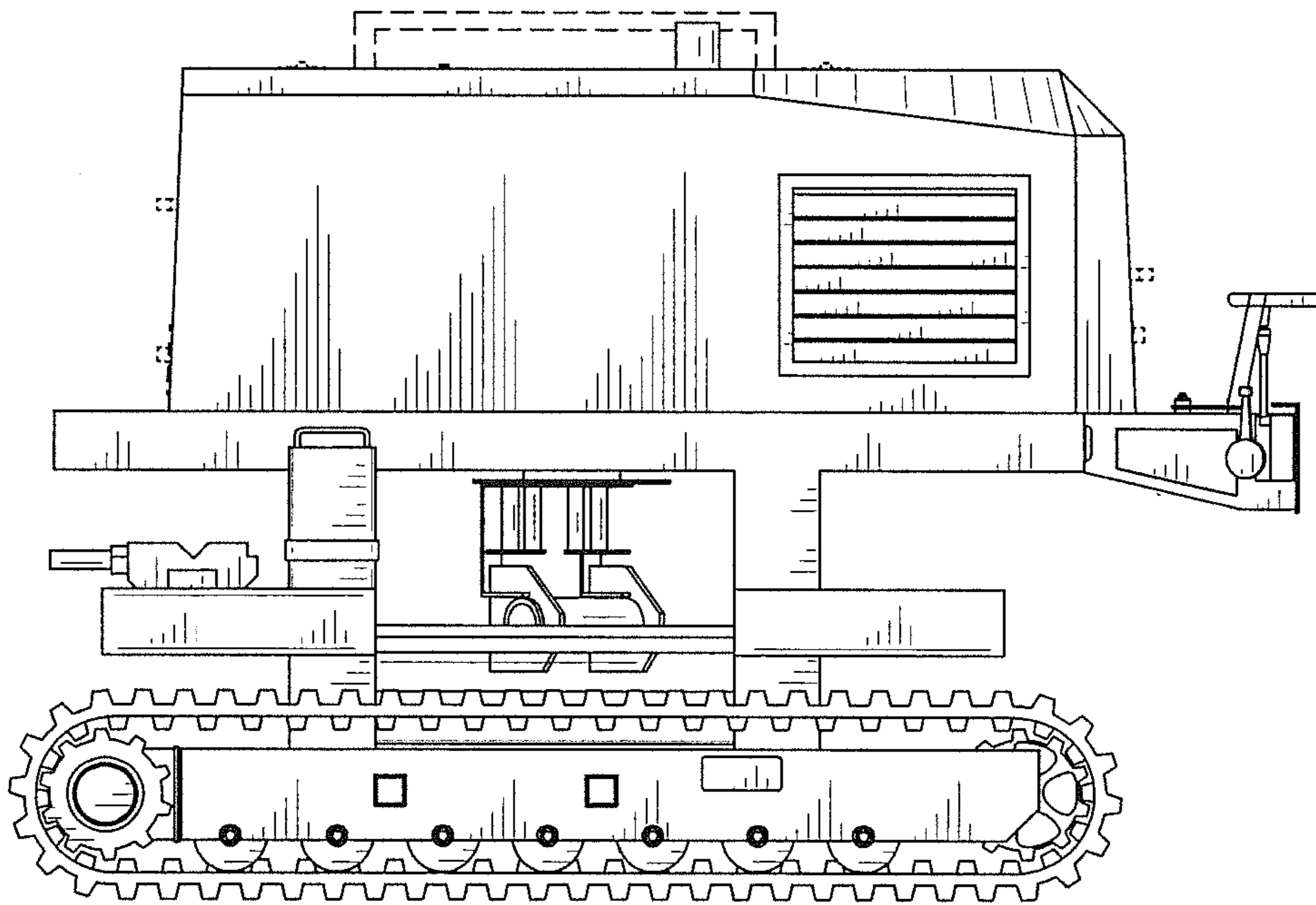


FIG. 4

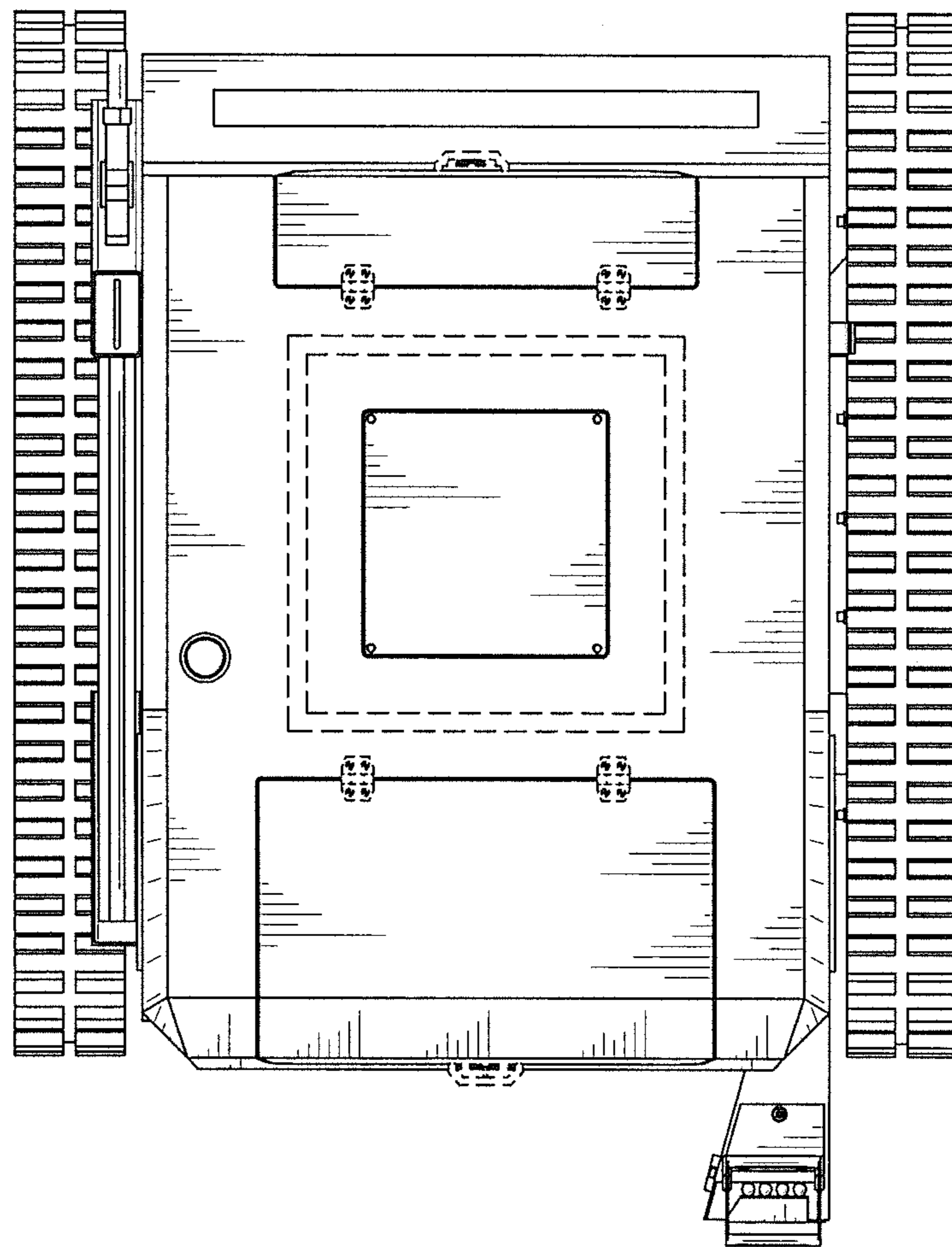


FIG. 5

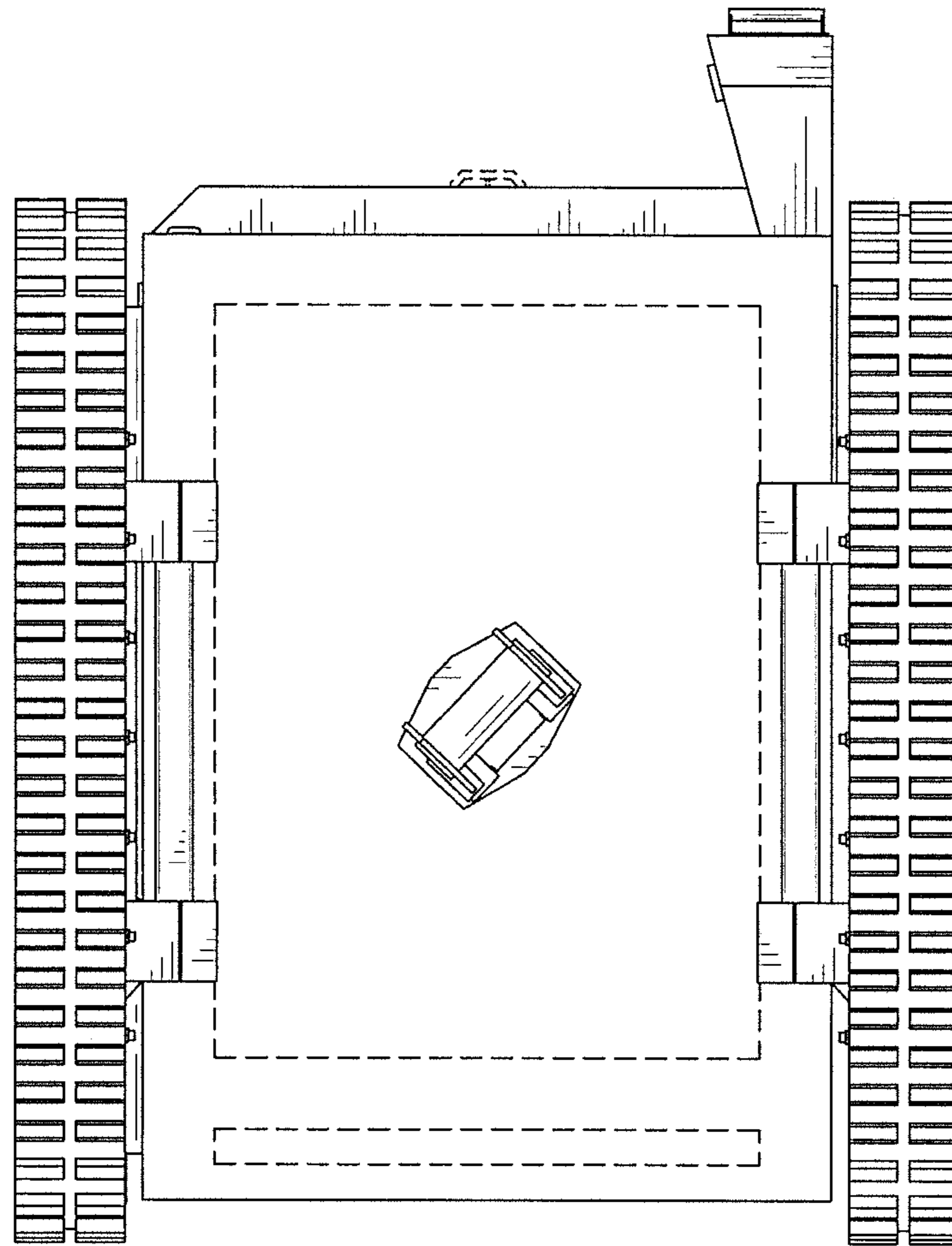


FIG. 6

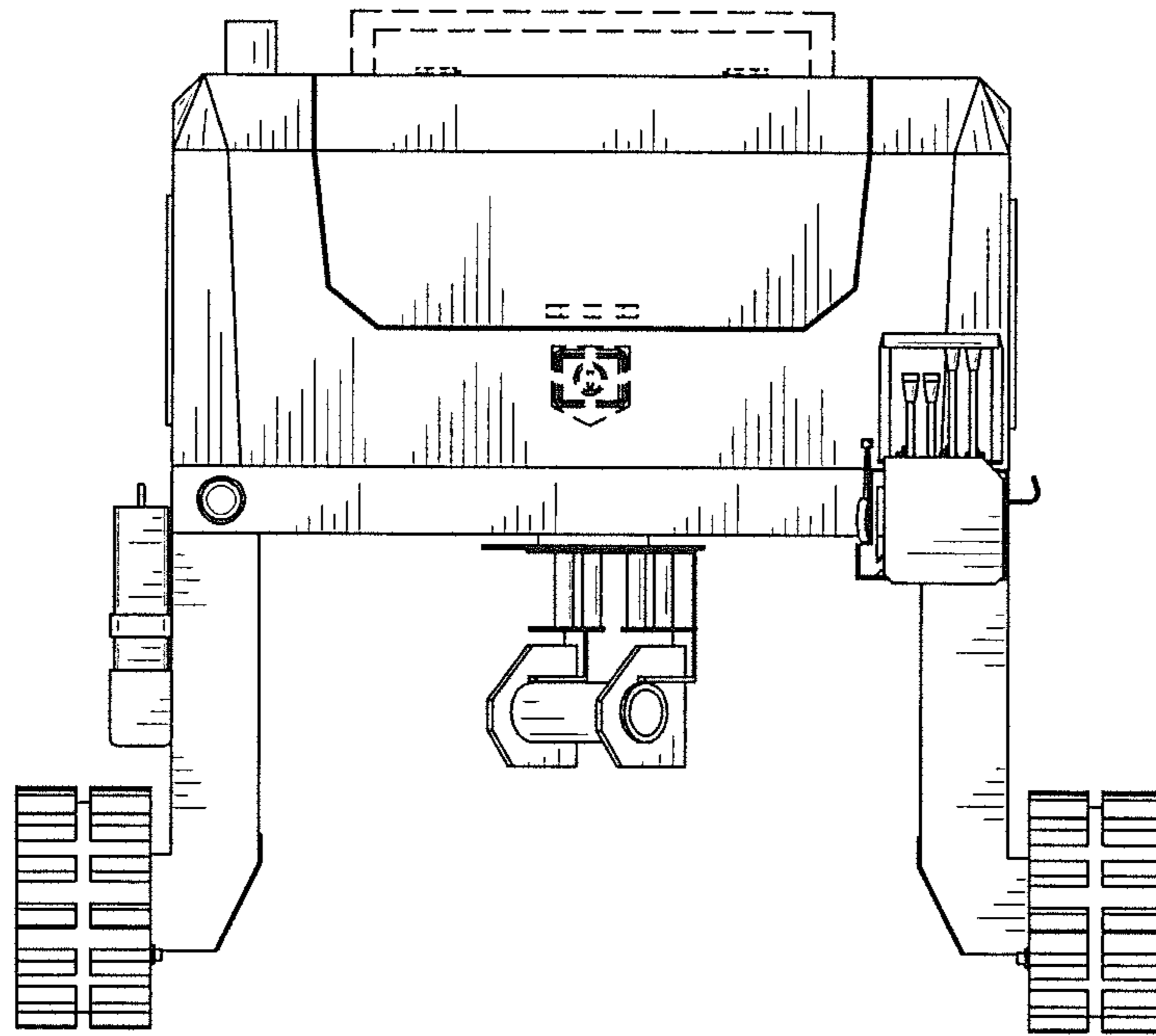


FIG. 7

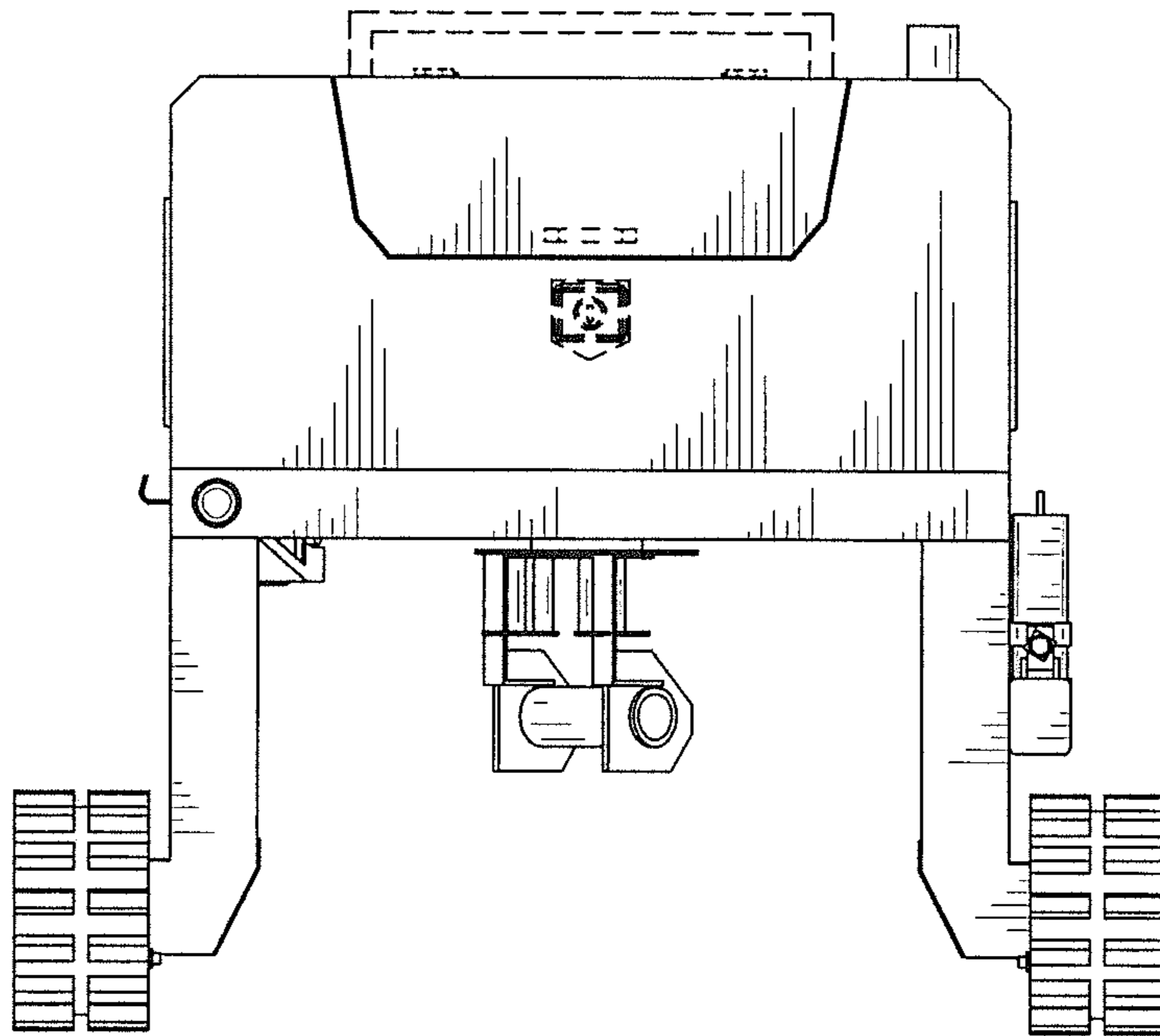


FIG. 8