



US00D771148S

(12) **United States Design Patent**
Soja

(10) **Patent No.:** **US D771,148 S**

(45) **Date of Patent:** **** Nov. 8, 2016**

(54) **COMBINED POSITIVE DISPLACEMENT PUMP WITH MOTOR**

(71) Applicant: **Marc Johnson Soja**, Toronto (CA)

(72) Inventor: **Marc Johnson Soja**, Toronto (CA)

(**) Term: **15 Years**

(21) Appl. No.: **29/530,772**

(22) Filed: **Jun. 19, 2015**

(51) **LOC (10) Cl.** **15-02**

(52) **U.S. Cl.**
USPC **D15/7**

(58) **Field of Classification Search**

USPC D15/7-9; D23/231, 232, 225;
417/410.1, 359, 415-416, 234, 321,
417/265, 405, 60, 235, 355, 358, 363, 900;
60/408, 412; 184/26-37; 415/140-147;
123/495, 509
CPC .. F02M 37/04; F02M 37/14; F04D 15/0218;
F04D 9/02

See application file for complete search history.

(56) **References Cited**

U.S. PATENT DOCUMENTS

D591,310 S * 4/2009 Soja D15/7
D676,063 S * 2/2013 Soja D15/7

D676,462 S * 2/2013 Soja D15/7
D677,282 S * 3/2013 Soja D15/7
D677,283 S * 3/2013 Soja D15/7
D722,083 S * 2/2015 Soja D15/7

* cited by examiner

Primary Examiner — Ralf Seifert

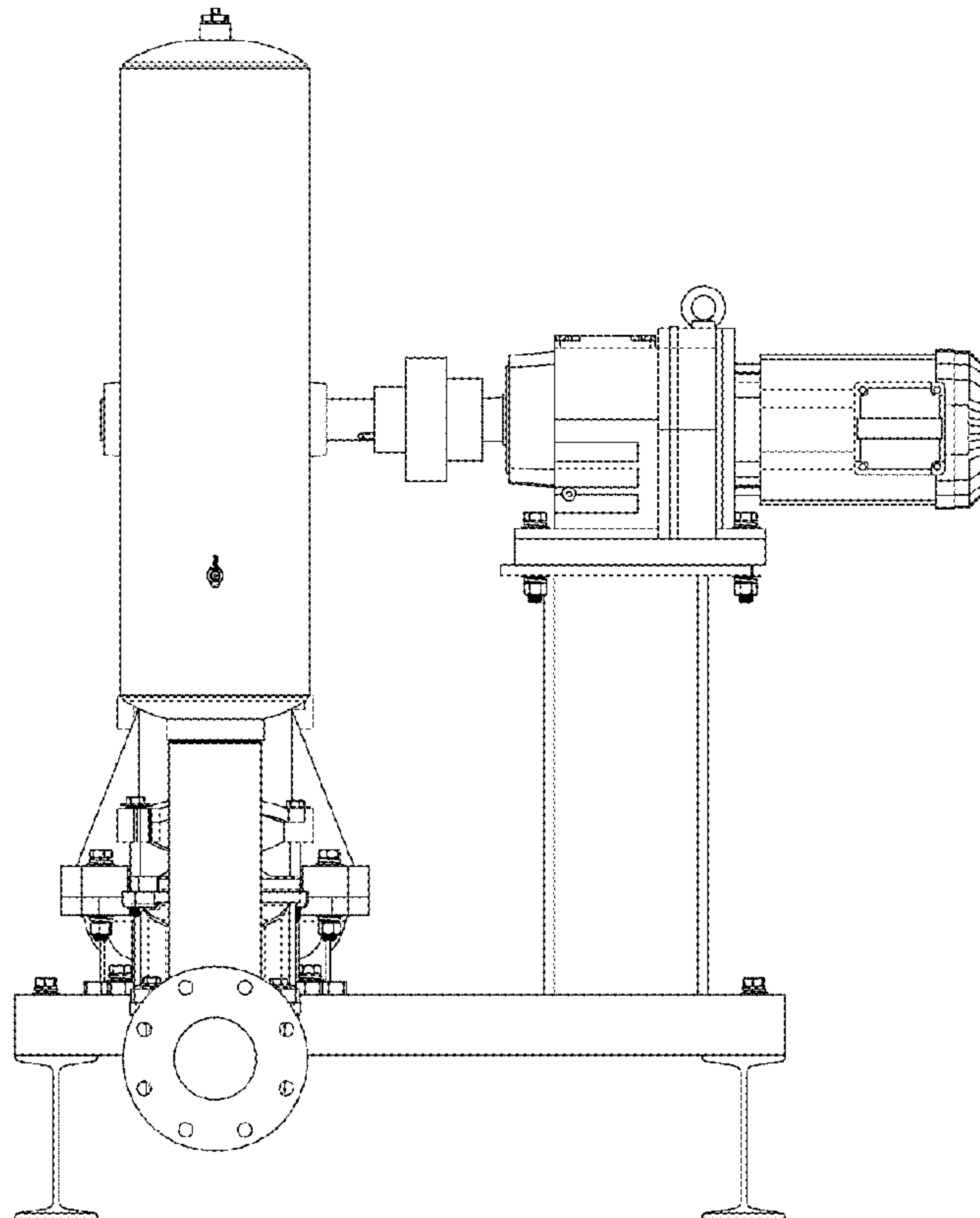
(57) **CLAIM**

The ornamental design for a combined positive displacement pump with motor, as shown and described.

DESCRIPTION

FIG. 1 is a front elevational view of a combined positive displacement pump with motor showing my new design; FIG. 2 is a left side elevational view thereof; FIG. 3 is a rear elevational view thereof; FIG. 4 is a right side elevational view thereof; FIG. 5 is a top plan view thereof; FIG. 6 is a bottom plan view thereof; FIG. 7 is a diagonal front perspective view seen from left side thereof; FIG. 8 is a diagonal front perspective view seen from right side thereof; FIG. 9 is a diagonal rear perspective view seen from right side thereof; and, FIG. 10 is a diagonal rear perspective view seen from left side thereof.

1 Claim, 10 Drawing Sheets



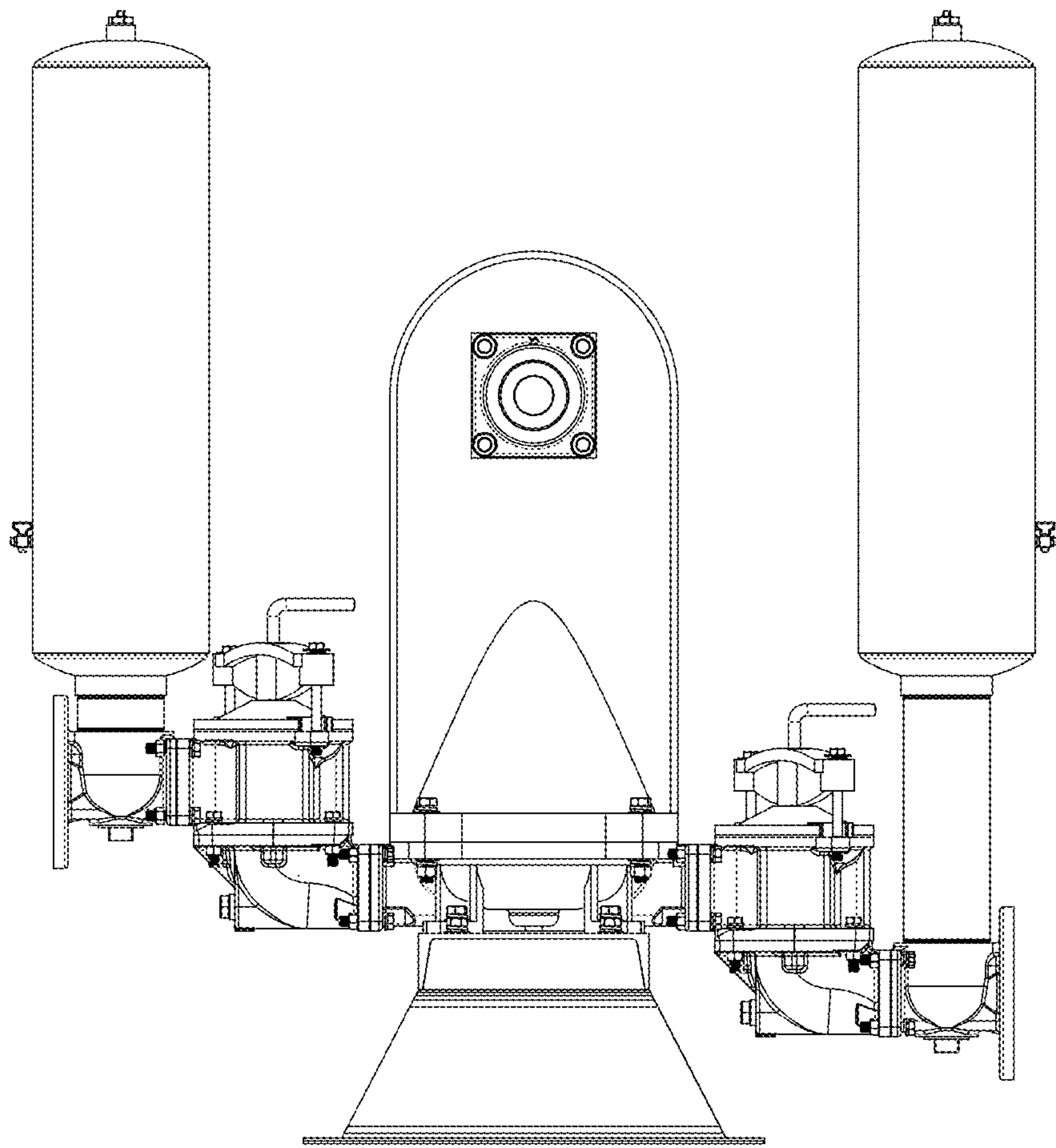


FIG.1

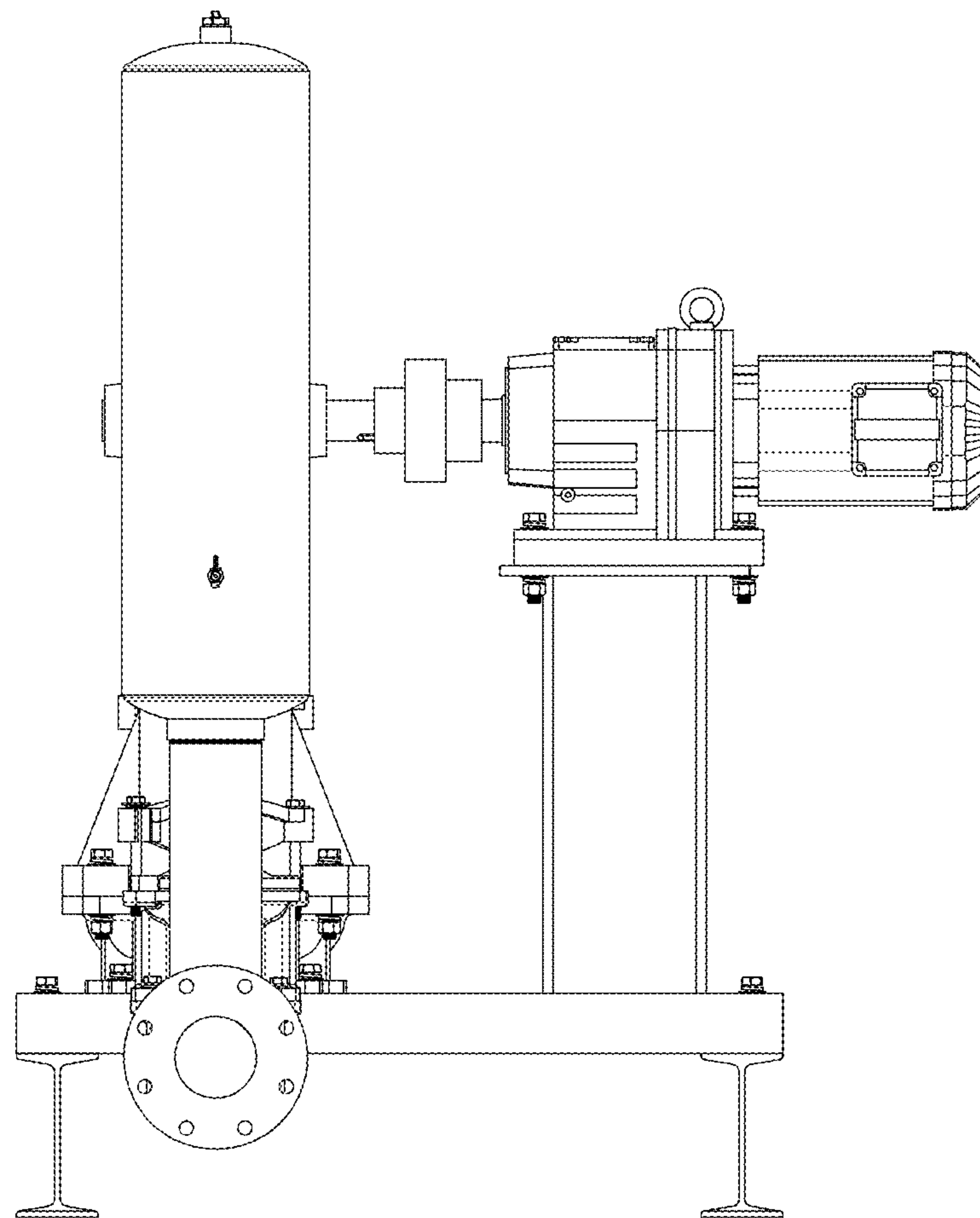


FIG. 2

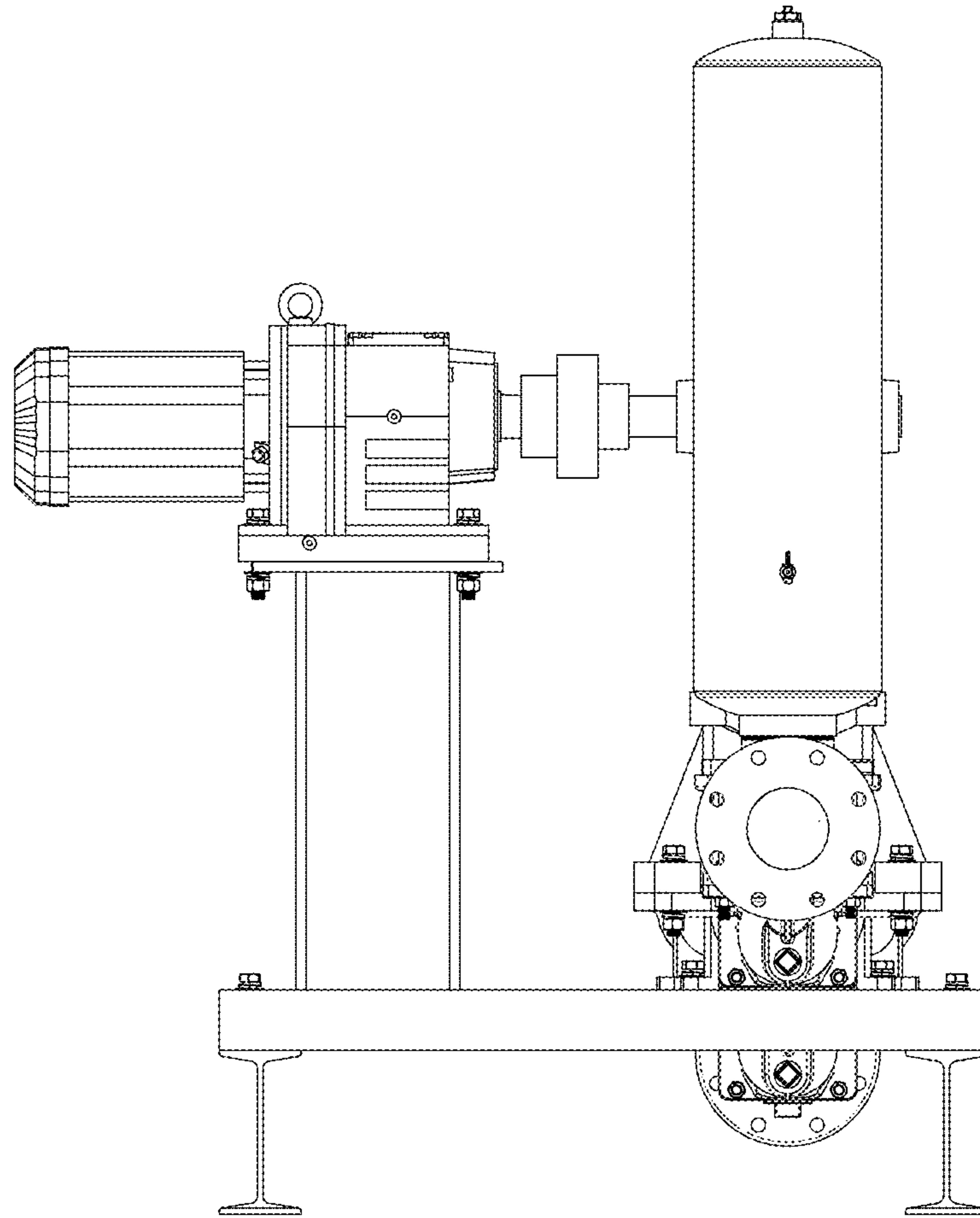


FIG. 3

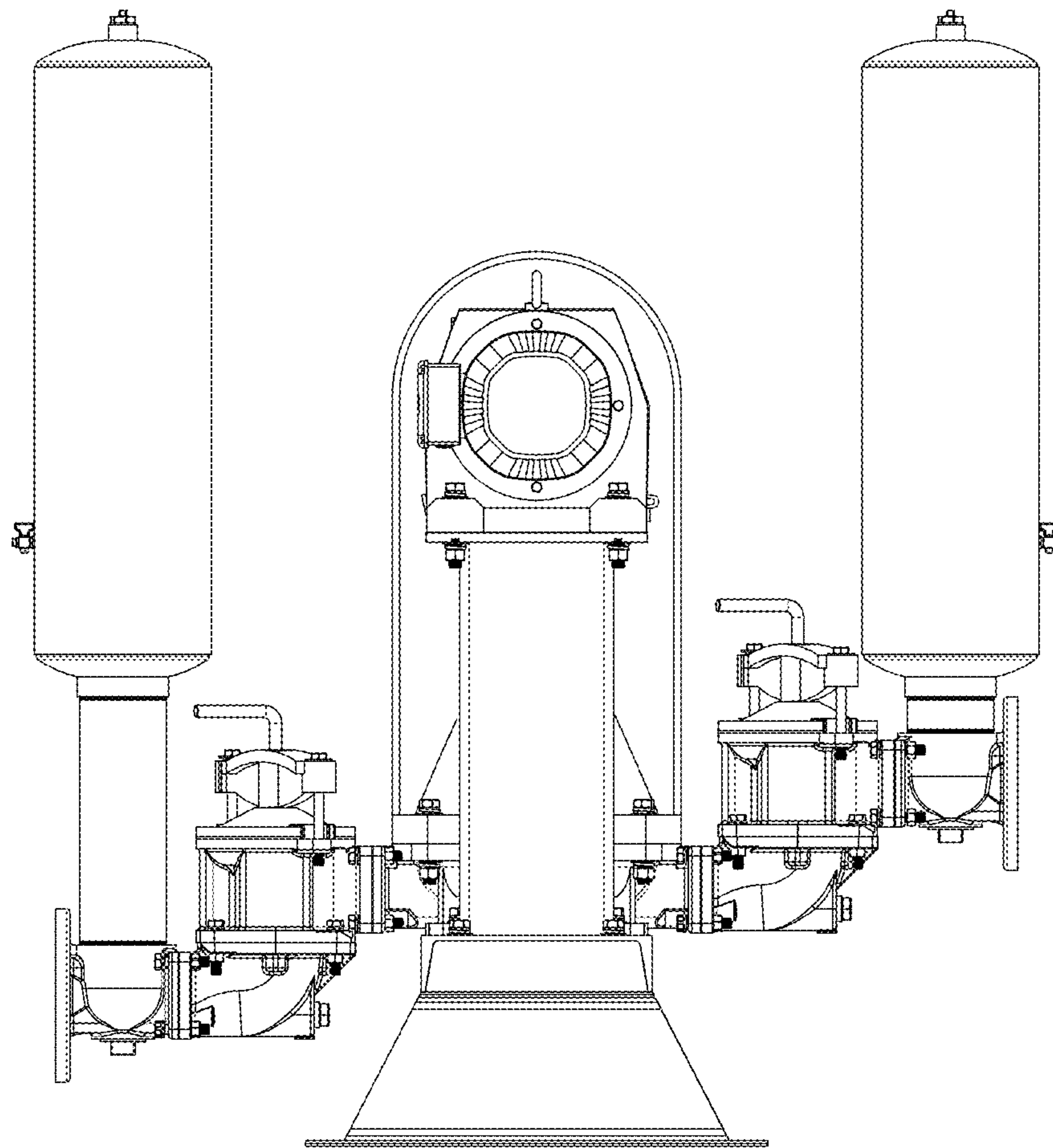


FIG.4

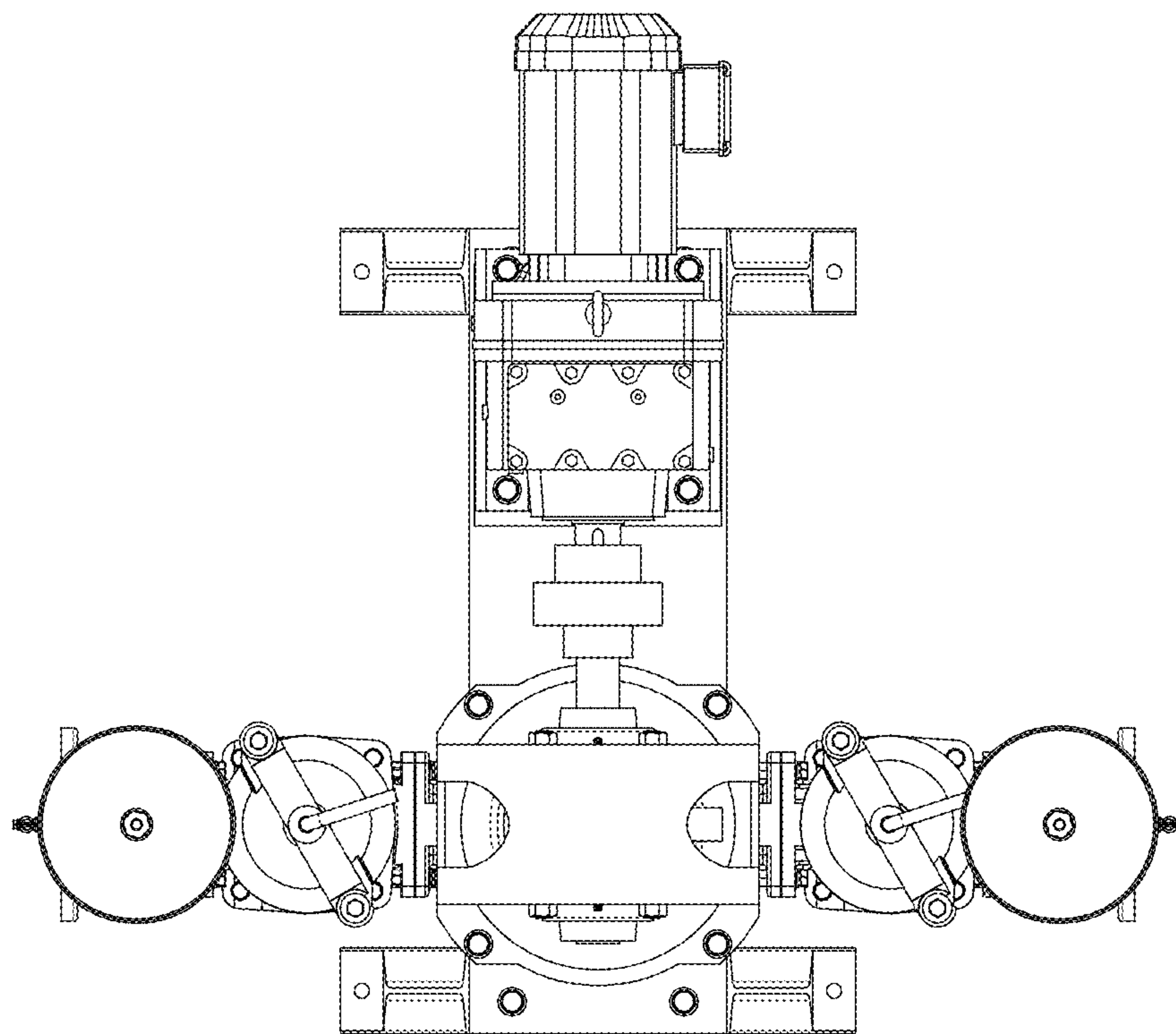


FIG. 5

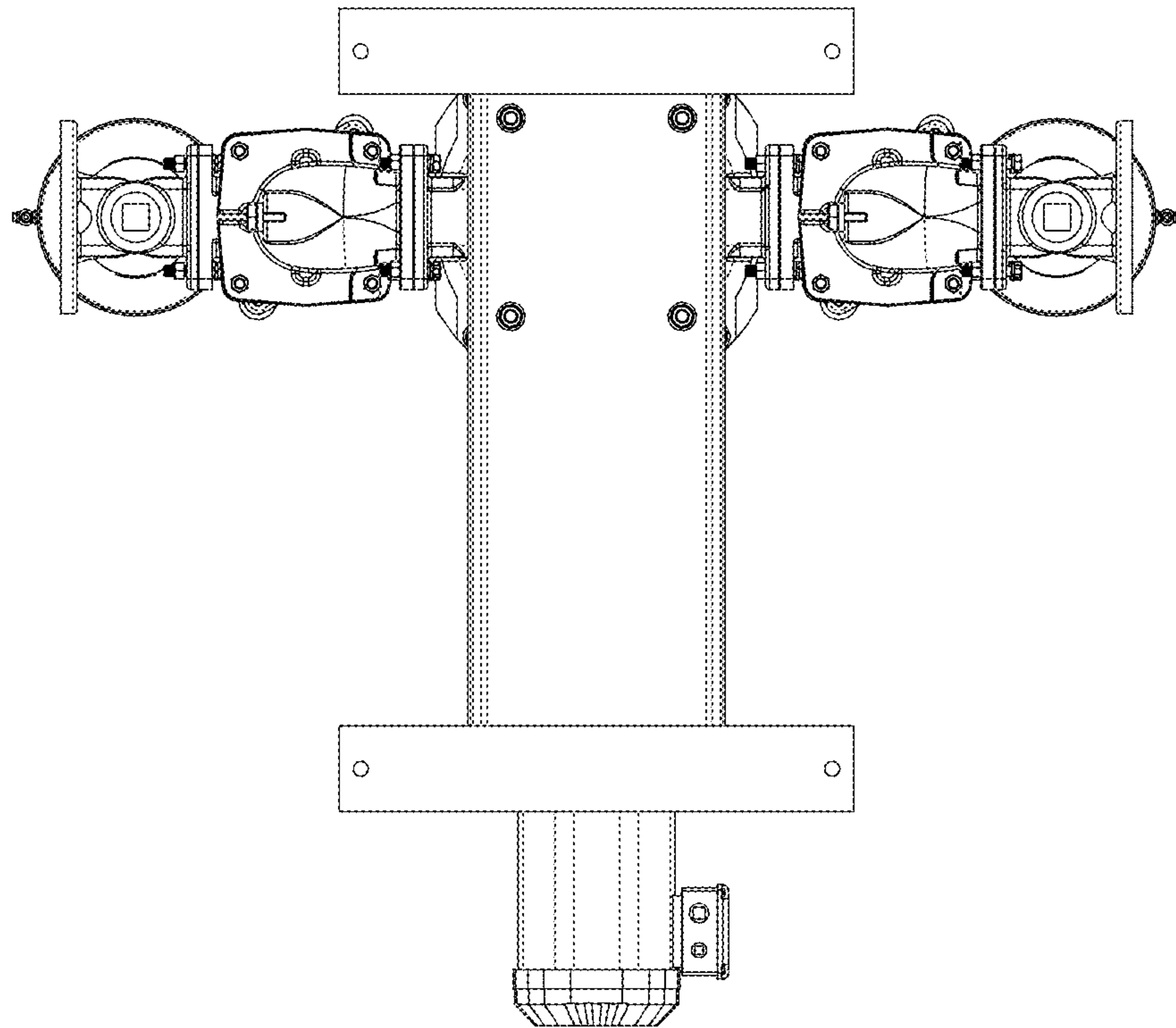


FIG. 6

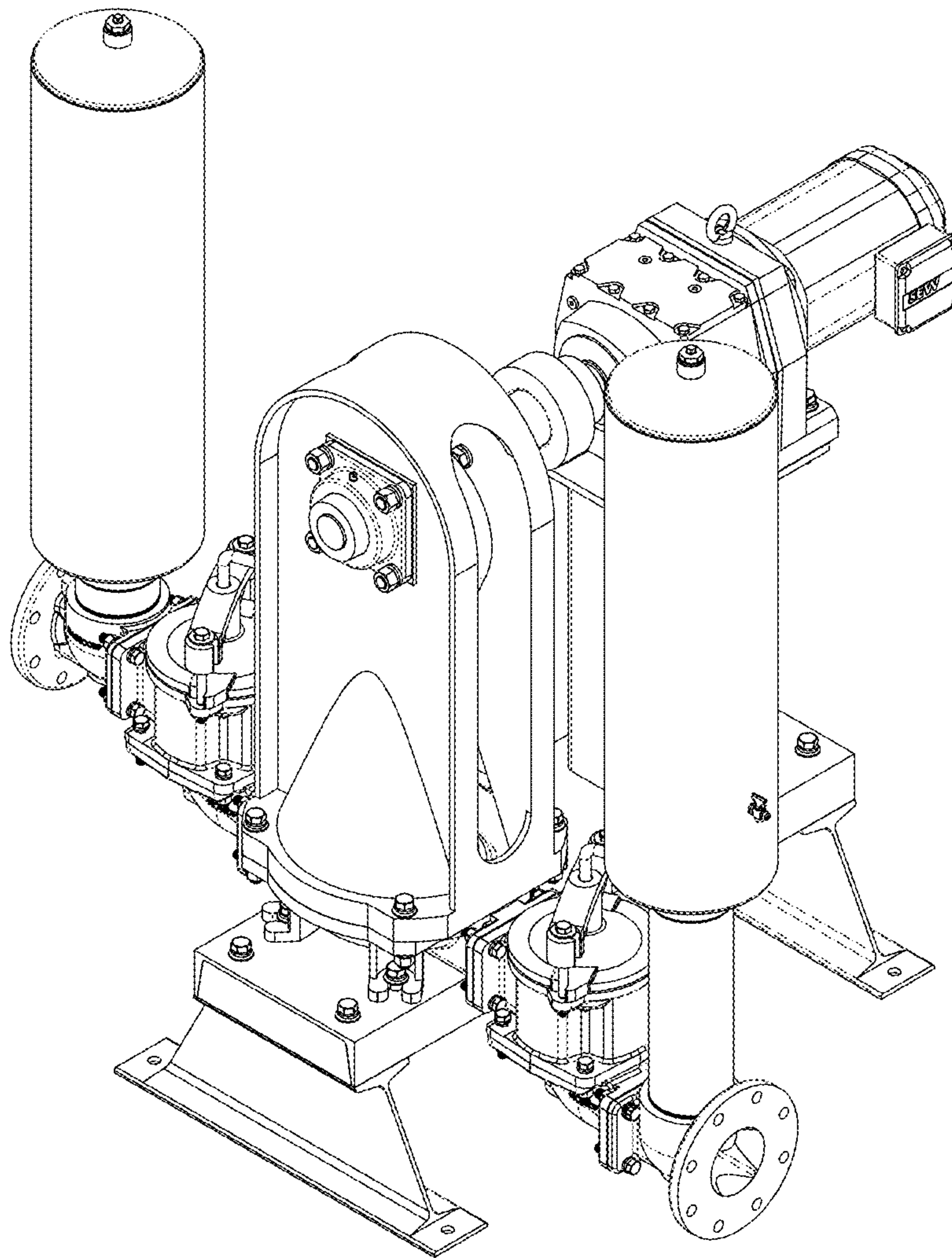


FIG. 7

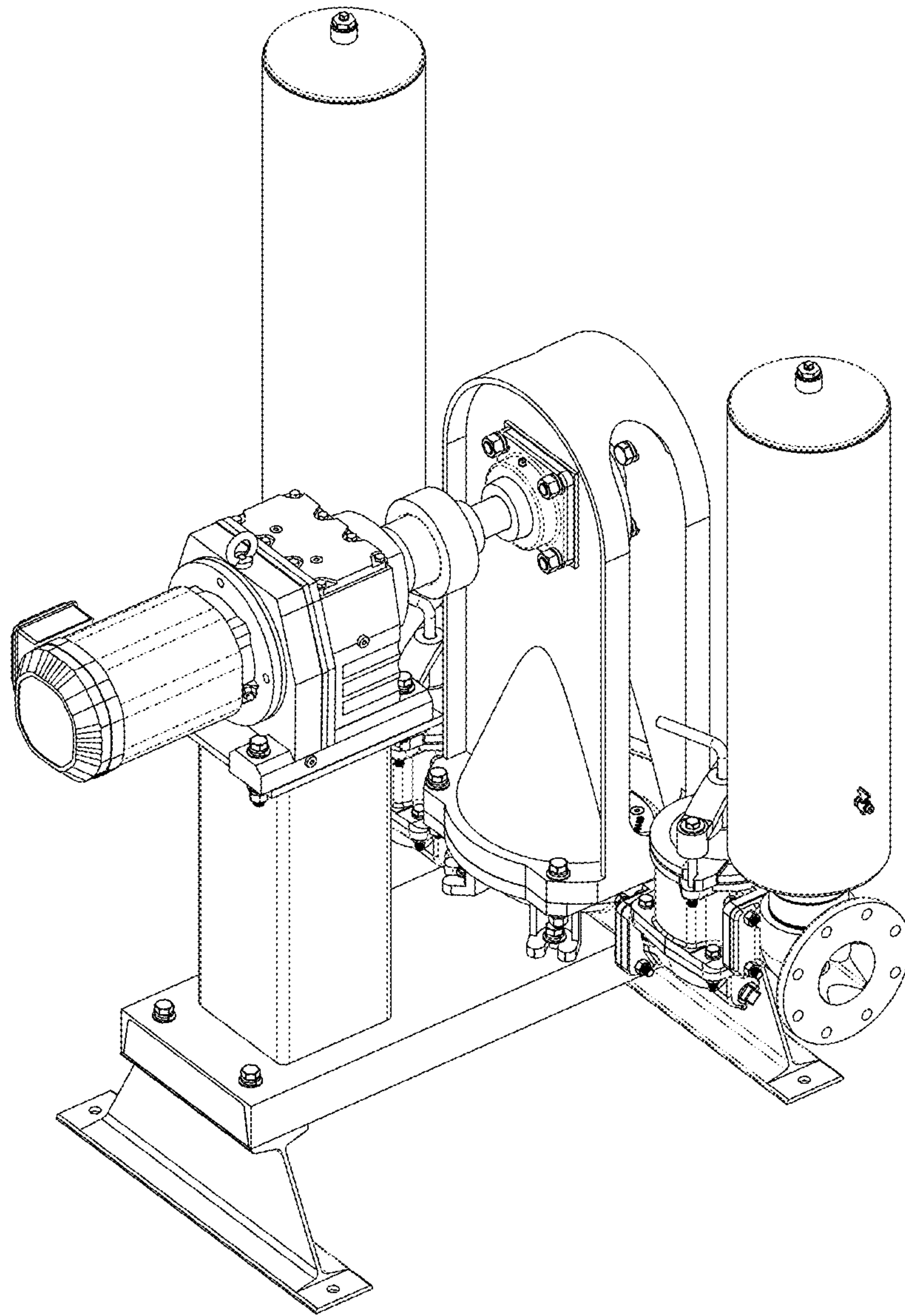


FIG. 8

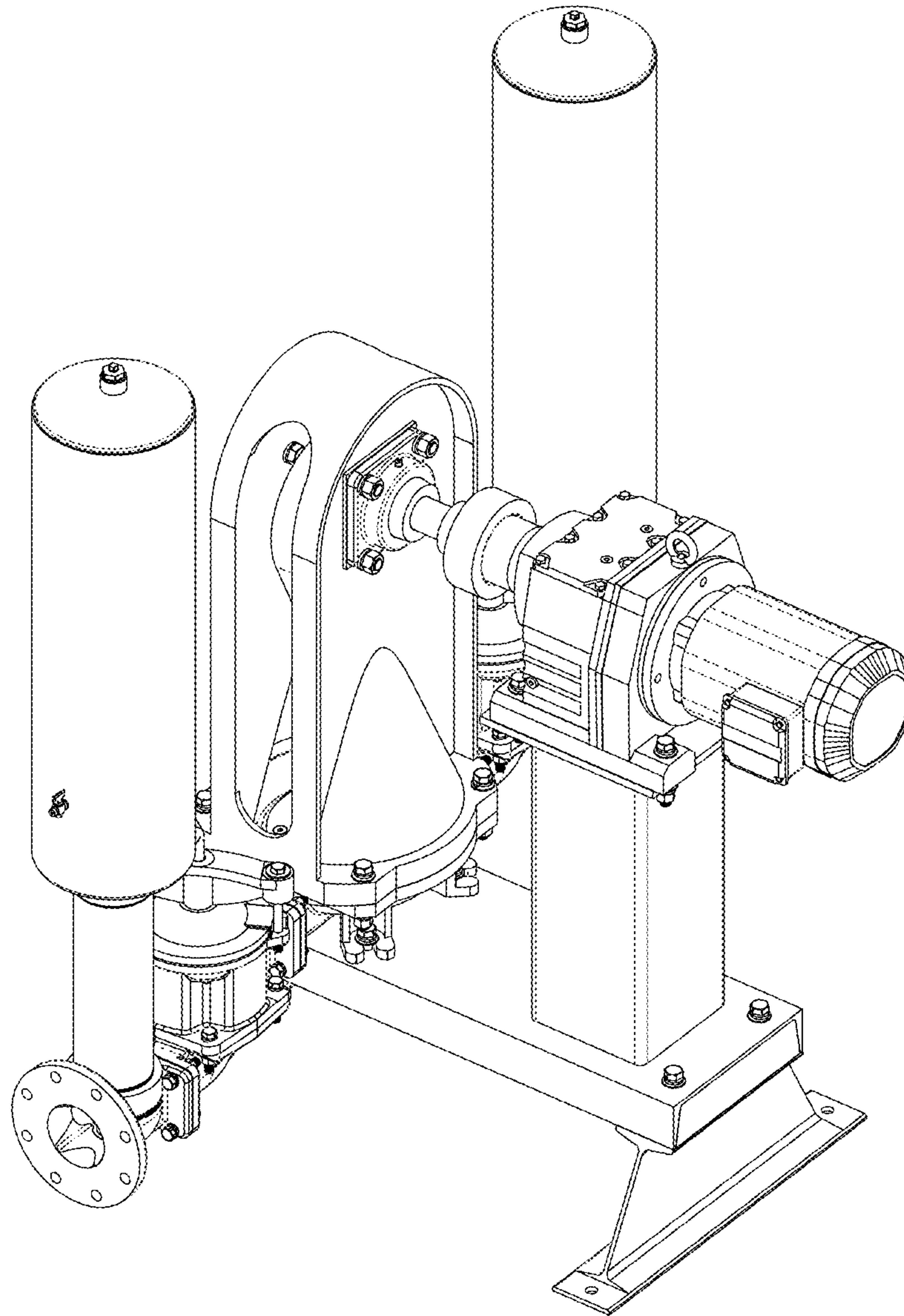


FIG. 9

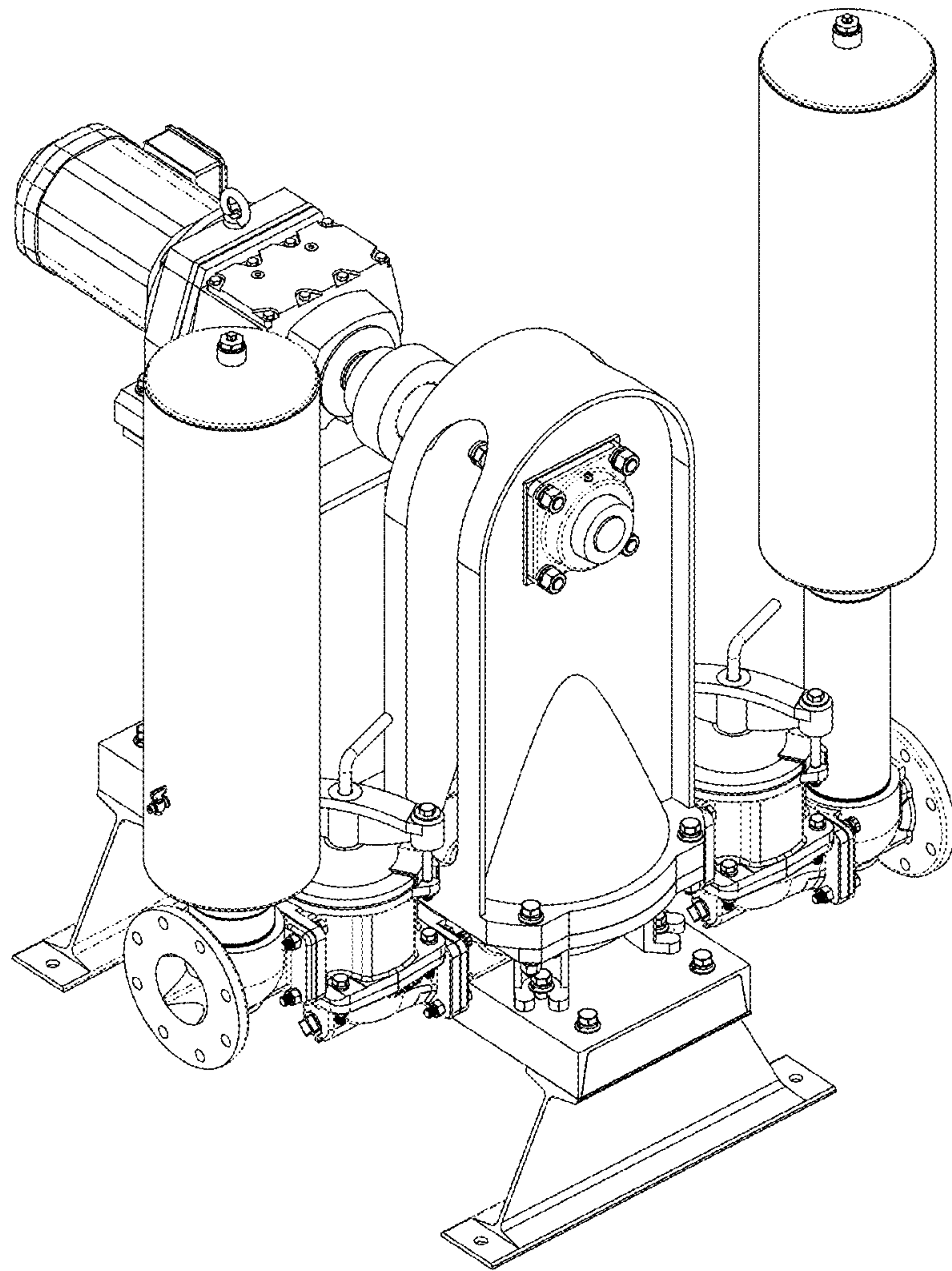


FIG. 10