



US00D771147S

(12) **United States Design Patent**  
**Fisher et al.**

(10) **Patent No.:** **US D771,147 S**  
(45) **Date of Patent:** **\*\* Nov. 8, 2016**

(54) **AXLE MOUNTED HYDRAULIC POWER UNIT**

(71) Applicant: **Eaton Corporation**, Cleveland, OH (US)

(72) Inventors: **Daniel P. Fisher**, Coldwater, MI (US); **Andrew N. Edler**, Homer, MI (US); **Scott M. Besemer**, Battle Creek, MI (US); **Jeffrey A. Oesch**, Roseville, MI (US); **Matthew G. Fox**, Ceresco, MI (US)

(73) Assignee: **Eaton Corporation**, Cleveland, OH (US)

(\*\*) Term: **15 Years**

(21) Appl. No.: **29/549,910**

(22) Filed: **Dec. 29, 2015**

**Related U.S. Application Data**

(63) Continuation-in-part of application No. 29/508,563, filed on Nov. 7, 2014.

(51) **LOC (10) Cl.** ..... **15-01**

(52) **U.S. Cl.**  
USPC ..... **D15/5**

(58) **Field of Classification Search**  
USPC ..... D15/5, 7, 8, 9, 148, 149, 199; 475/226, 475/220, 149, 150, 151, 152, 153, 154, 249, 475/248, 231; D23/231, 232; D12/160, D12/159; 418/61.3; 180/65.235; 60/426  
CPC .... F15B 11/162; F15B 11/26; F15B 13/044; F15B 13/026; F15B 2211/781; F16H 39/40  
See application file for complete search history.

(56) **References Cited**

**U.S. PATENT DOCUMENTS**

2,239,866 A 4/1941 Vickers  
2,853,091 A 9/1958 Tuer  
2,917,898 A 12/1959 Berry

4,479,395 A 10/1984 Riley  
D308,209 S \* 5/1990 Laqua ..... D15/7  
7,472,547 B2 1/2009 Grosskopf  
7,857,723 B2 \* 12/2010 Krisher ..... B60K 17/20  
475/150  
7,891,730 B2 \* 2/2011 Rikkert ..... B60J 7/0573  
296/220.01  
7,985,162 B2 \* 7/2011 Buchele ..... B64G 1/286  
475/150  
D741,916 S \* 10/2015 Fox ..... D15/5

(Continued)

**FOREIGN PATENT DOCUMENTS**

EP 0481022 4/1992

*Primary Examiner* — T. Chase Nelson

*Assistant Examiner* — Ania Aman

(74) *Attorney, Agent, or Firm* — Remarck Law Group PLC

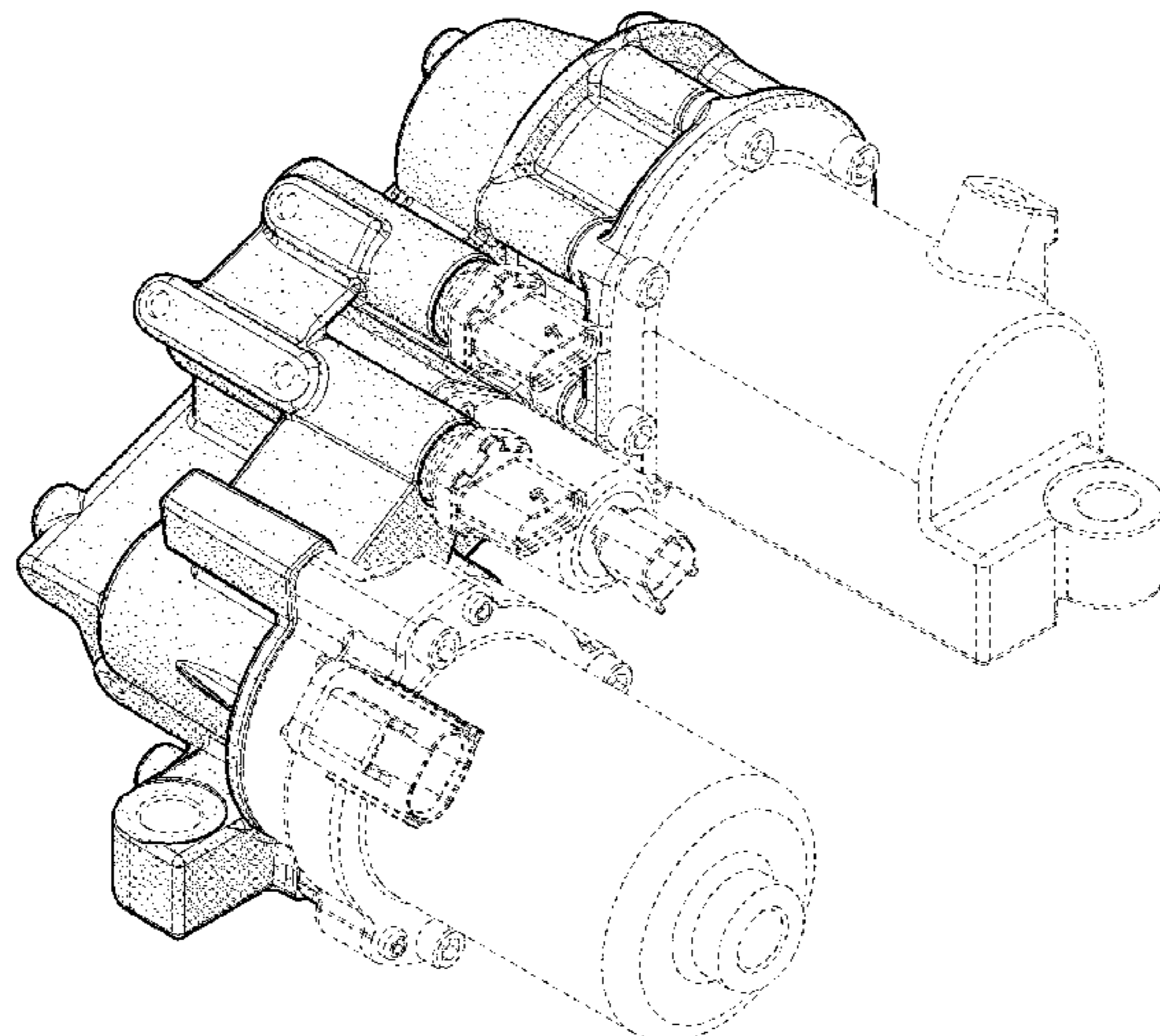
(57) **CLAIM**

The ornamental design for an axle mounted hydraulic power unit, as shown and described.

**DESCRIPTION**

FIG. 1 is a front perspective view of an axle mounted hydraulic power unit showing our new design.  
FIG. 2 is a top plan view of the axle mounted hydraulic power unit of FIG. 1.  
FIG. 3 is a bottom plan view of the axle mounted hydraulic power unit of FIG. 1.  
FIG. 4 is a first side view of the axle mounted hydraulic power unit of FIG. 1.  
FIG. 5 is a second side view of the axle mounted hydraulic power unit of FIG. 1.  
FIG. 6 is a third side view of the axle mounted hydraulic power unit of FIG. 1; and,  
FIG. 7 is a fourth side view of the axle mounted hydraulic power unit of FIG. 1.  
The broken line showing portions of the axle mounted hydraulic power unit form no part of the claimed design.

**1 Claim, 7 Drawing Sheets**



(56)

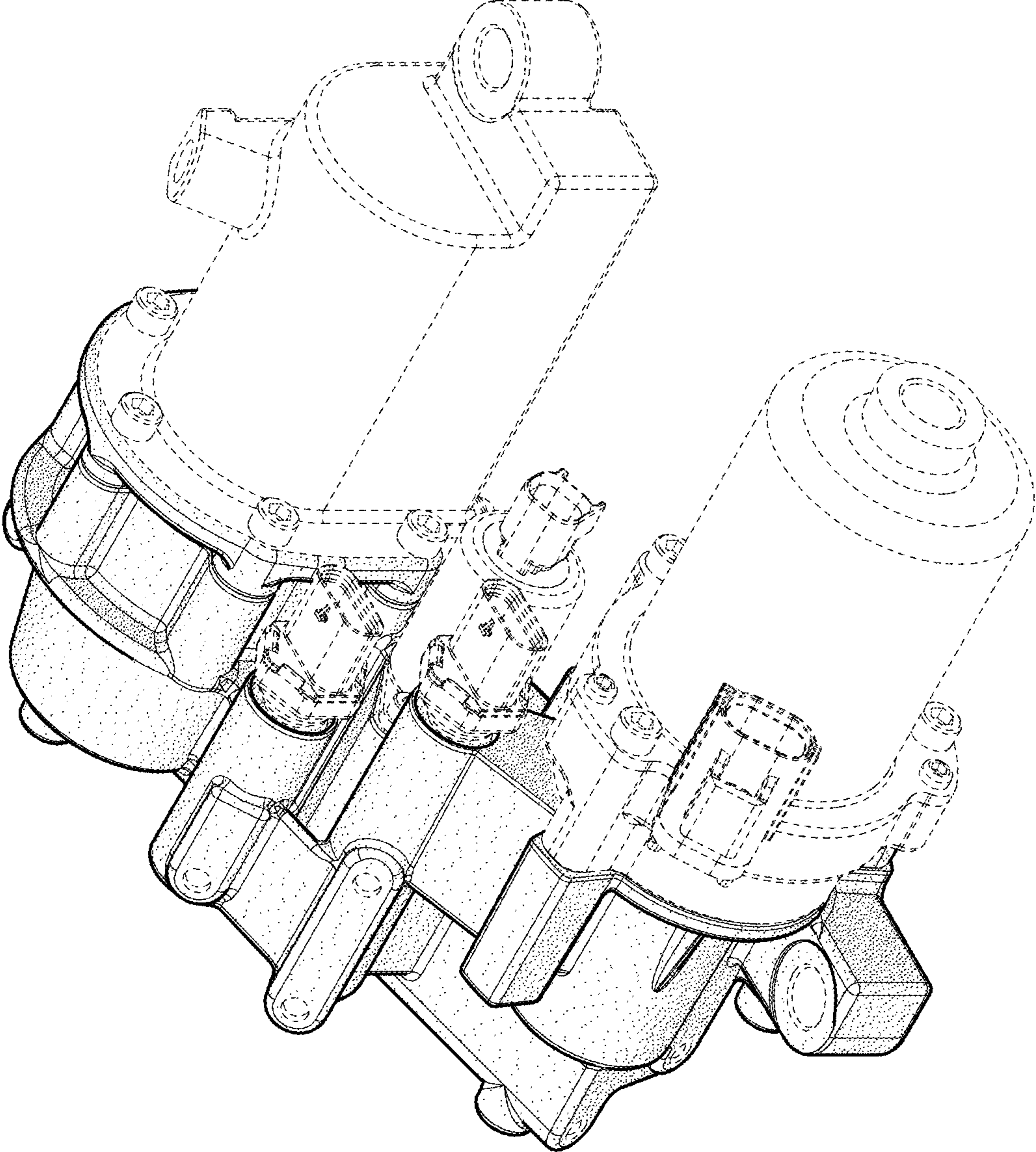
**References Cited**

U.S. PATENT DOCUMENTS

D744,542 S \* 12/2015 Edler ..... D15/7  
 D749,642 S \* 2/2016 Fisher ..... D15/5  
 2003/0059310 A1 3/2003 Koenig  
 2008/0042488 A1\* 2/2008 Anderson ..... B60T 8/323  
 303/10  
 2008/0060867 A1\* 3/2008 Oda ..... B60K 5/04  
 180/291  
 2008/0085803 A1\* 4/2008 Claussen ..... B60K 17/36  
 475/220  
 2010/0218746 A1\* 9/2010 Rabhi ..... F16K 11/161  
 123/48 B

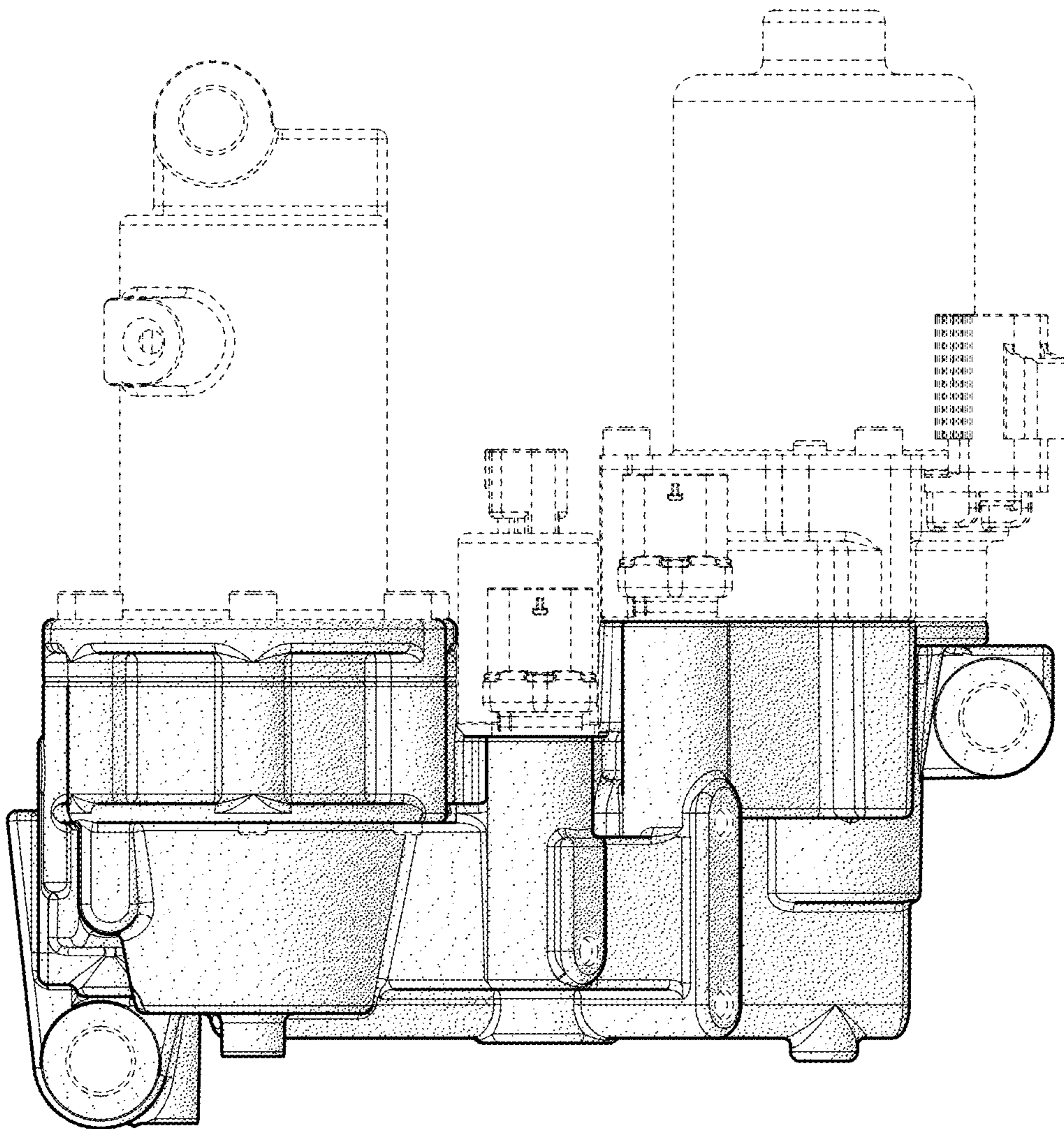
2011/0147111 A1\* 6/2011 Sun ..... B62D 5/0406  
 180/444  
 2012/0329592 A1\* 12/2012 Sun ..... B62D 5/0406  
 475/4  
 2014/0179484 A1\* 6/2014 Fox ..... F16H 48/32  
 475/231  
 2014/0274529 A1\* 9/2014 Edler ..... F16H 48/22  
 475/150  
 2015/0105210 A1\* 4/2015 Wadhva ..... F16H 48/08  
 475/232  
 2016/0076634 A1\* 3/2016 Mitsubori ..... F16H 57/0006  
 74/325  
 2016/0091077 A1\* 3/2016 Sotani ..... F16H 57/021  
 74/606 R

\* cited by examiner

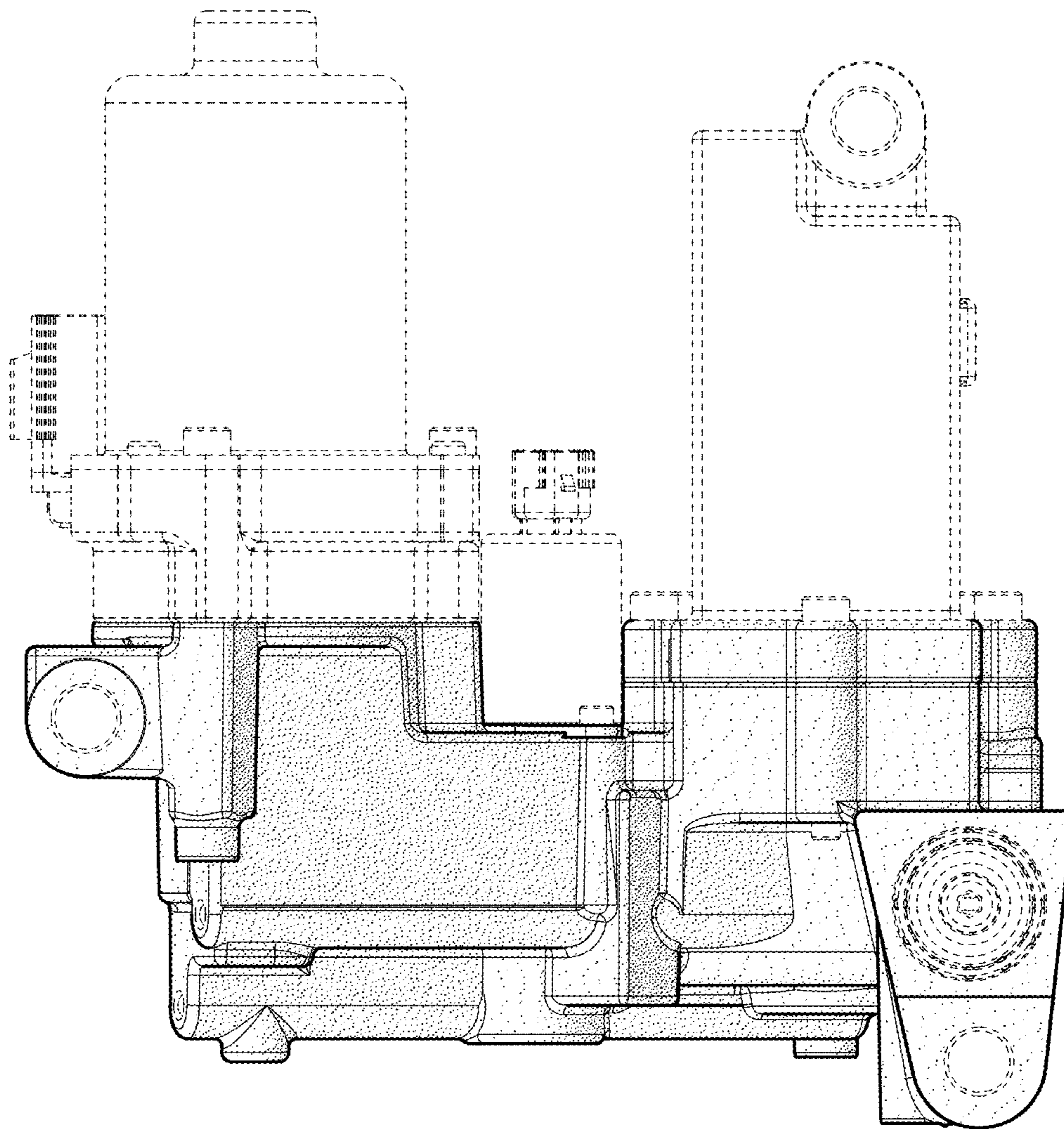


**FIG. 1**

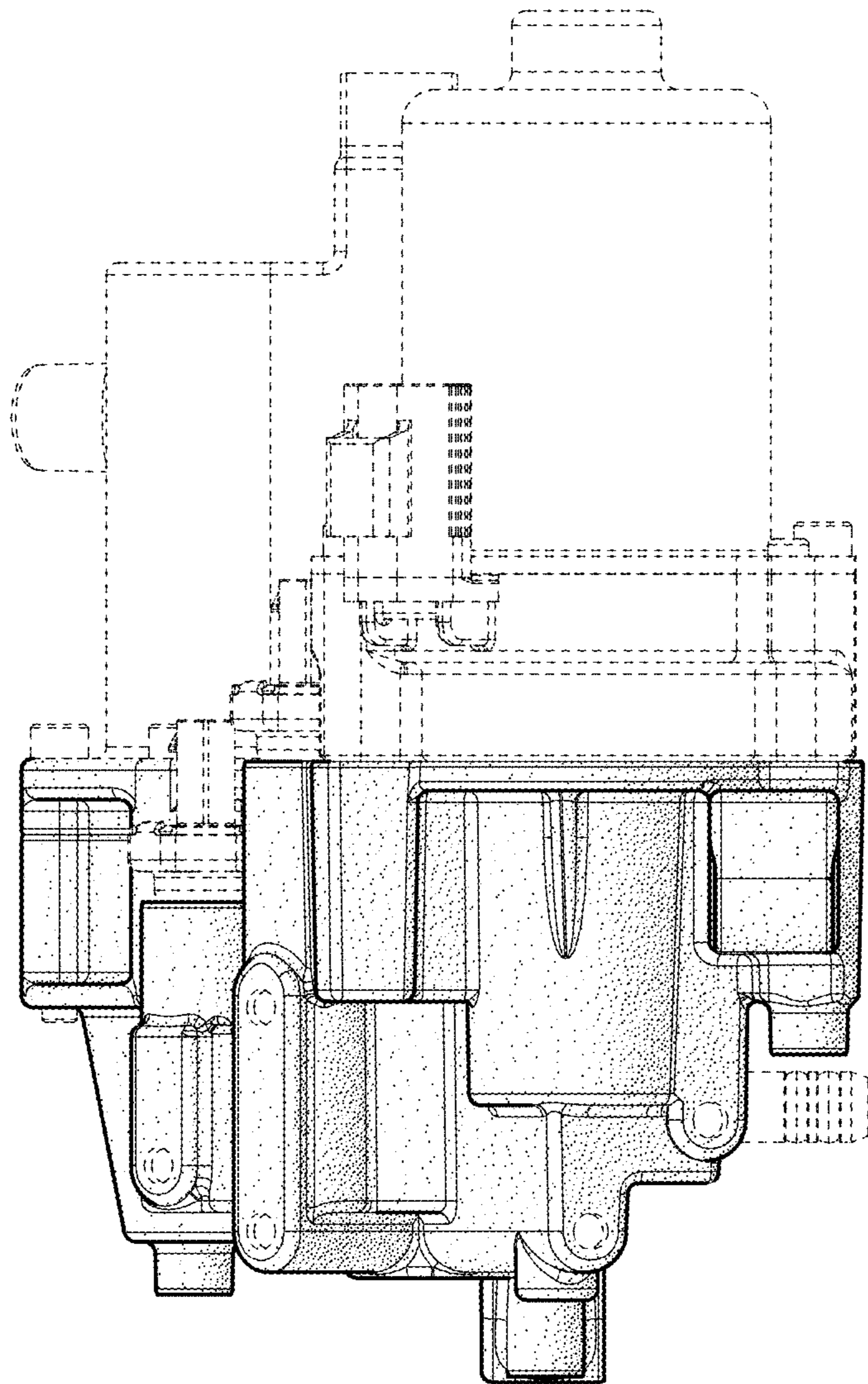




**FIG. 2**

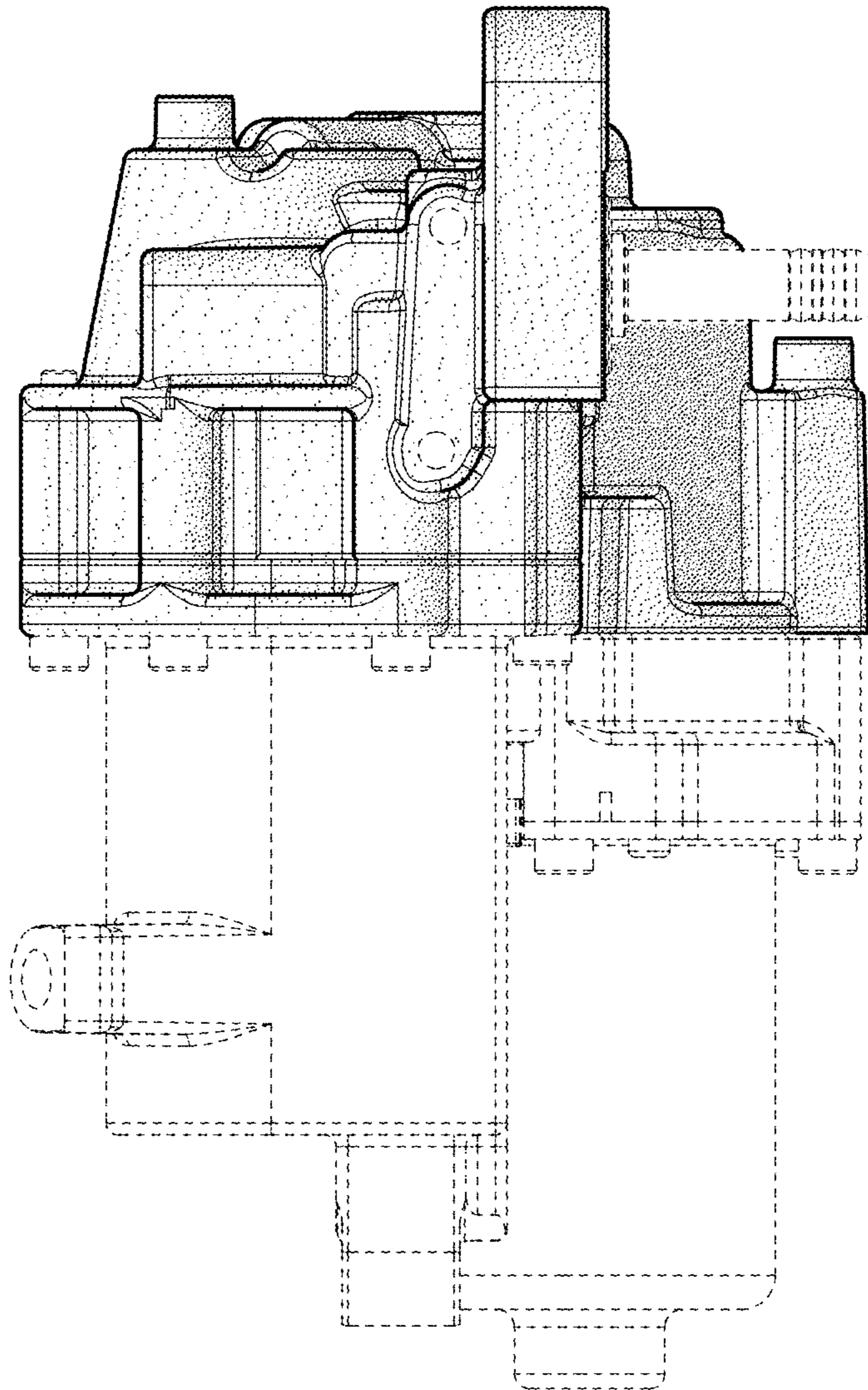


**FIG. 3**

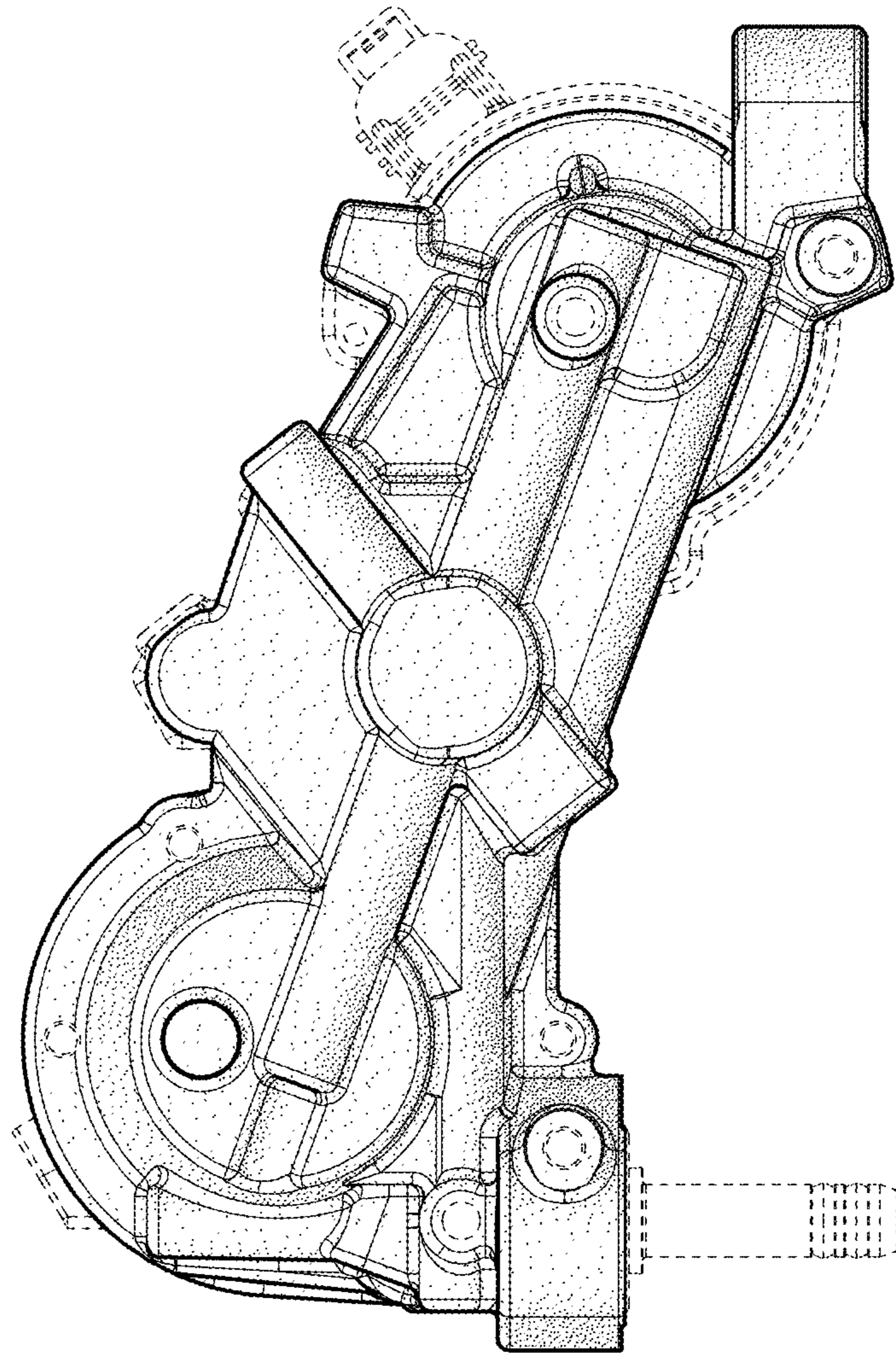


**FIG. 4**



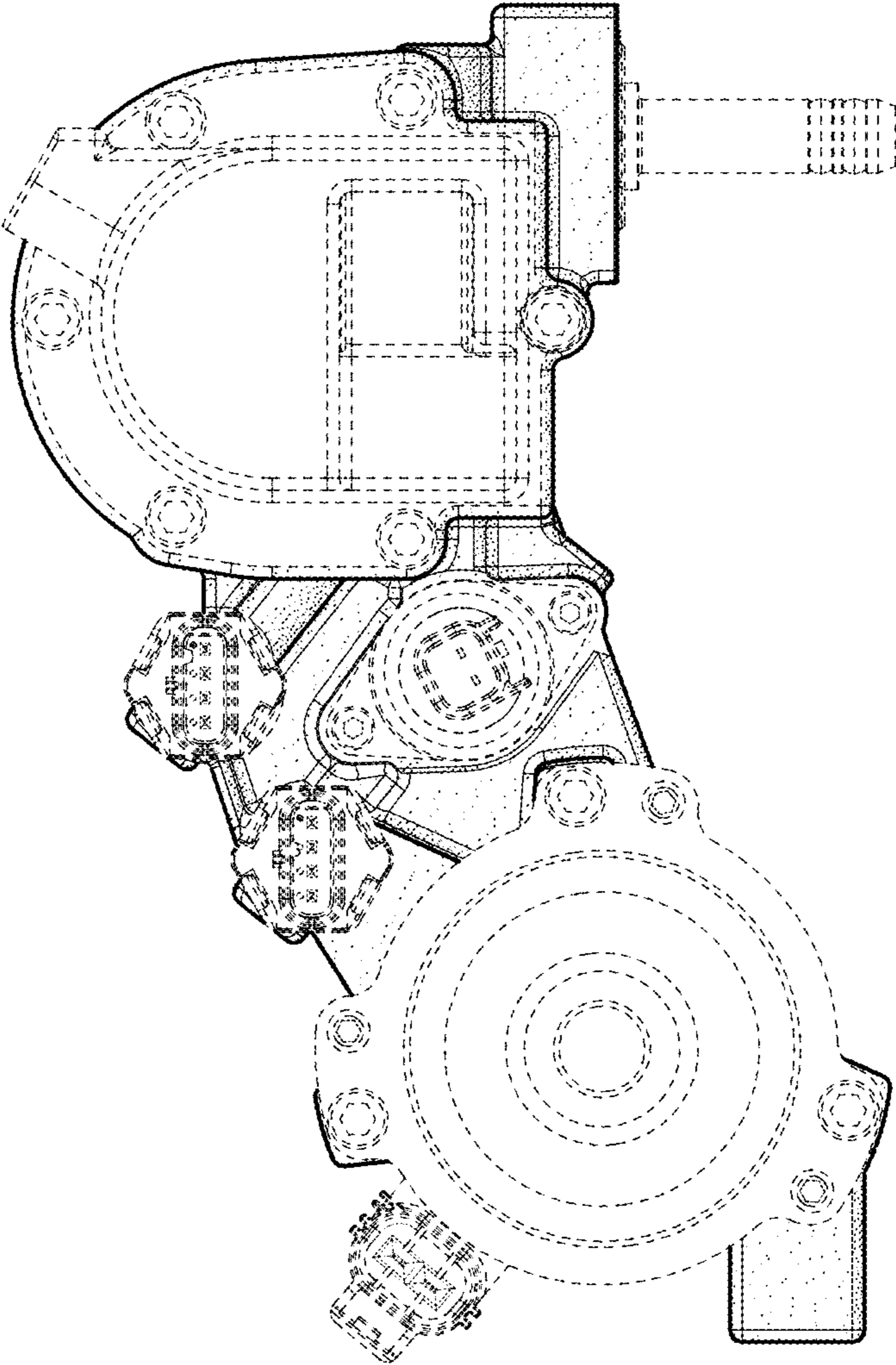


**FIG. 5**



**FIG. 6**





**FIG. 7**