



US00D771145S

(12) **United States Design Patent** (10) **Patent No.:** **US D771,145 S**
Laws (45) **Date of Patent:** **** Nov. 8, 2016**

(54) **FUEL BOWL**

(71) Applicant: **TAJM LLC**, Howey-in-the-Hills, FL (US)

(72) Inventor: **James M. Laws**, Howey-in-the-Hills, FL (US)

(73) Assignee: **TAJM LLC**, Howey in the Hills, FL (US)

(**) Term: **14 Years**

(21) Appl. No.: **29/502,490**

(22) Filed: **Sep. 17, 2014**

(51) **LOC (10) Cl.** **15-01**

(52) **U.S. Cl.**
USPC **D15/5**

(58) **Field of Classification Search**
USPC D15/1-6; 261/34.2, 23.2, 70, 34.1, 72.1
CPC F02M 7/06; F02M 7/08
See application file for complete search history.

(56) **References Cited**

U.S. PATENT DOCUMENTS

2,801,086 A * 7/1957 Fish F02M 7/08
261/34.2
3,051,193 A * 8/1962 Griffen F02M 1/00
137/450

(Continued)

Primary Examiner — T. Chase Nelson

Assistant Examiner — Ania Aman

(74) *Attorney, Agent, or Firm* — Mark Malek; Widerman Malek, PL

(57) **CLAIM**

The ornamental design for a fuel bowl, as shown and described.

DESCRIPTION

FIG. 1 is an upper and front perspective view of a fuel bowl according to the present invention.

FIG. 2 is a lower and rear perspective view of the fuel bowl illustrated in FIG. 1.

FIG. 3 is another upper and front perspective view of the fuel bowl illustrated in FIG. 1.

FIG. 4 is another lower and rear perspective view of the fuel bowl illustrated in FIG. 1.

FIG. 5 is a top plan view of the fuel bowl illustrated in FIG. 1.

FIG. 6 is a bottom plan view of the fuel bowl illustrated in FIG. 1.

FIG. 7 is a side elevation view of the fuel bowl illustrated in FIG. 1.

FIG. 8 is another side elevation view of the fuel bowl illustrated in FIG. 1.

FIG. 9 is a front elevation view of the fuel bowl illustrated in FIG. 1.

FIG. 10 is a rear elevation view of the fuel bowl illustrated in FIG. 1.

FIG. 11 is an environmental view of the fuel bowl illustrated in FIG. 1 being connected to a carburetor.

FIG. 12 is an exploded upper and front perspective view of the fuel bowl illustrated in FIG. 1.

FIG. 13 is an exploded lower and rear perspective view of the fuel bowl illustrated in FIG. 1.

FIG. 14 is another upper and front perspective view of the fuel bowl illustrated in FIG. 1.

FIG. 15 is an exploded top plan view of the fuel bowl illustrated in FIG. 1.

FIG. 16 is an exploded bottom plan view of the fuel bowl illustrated in FIG. 1.

FIG. 17 is an exploded side elevation view of the fuel bowl illustrated in FIG. 1.

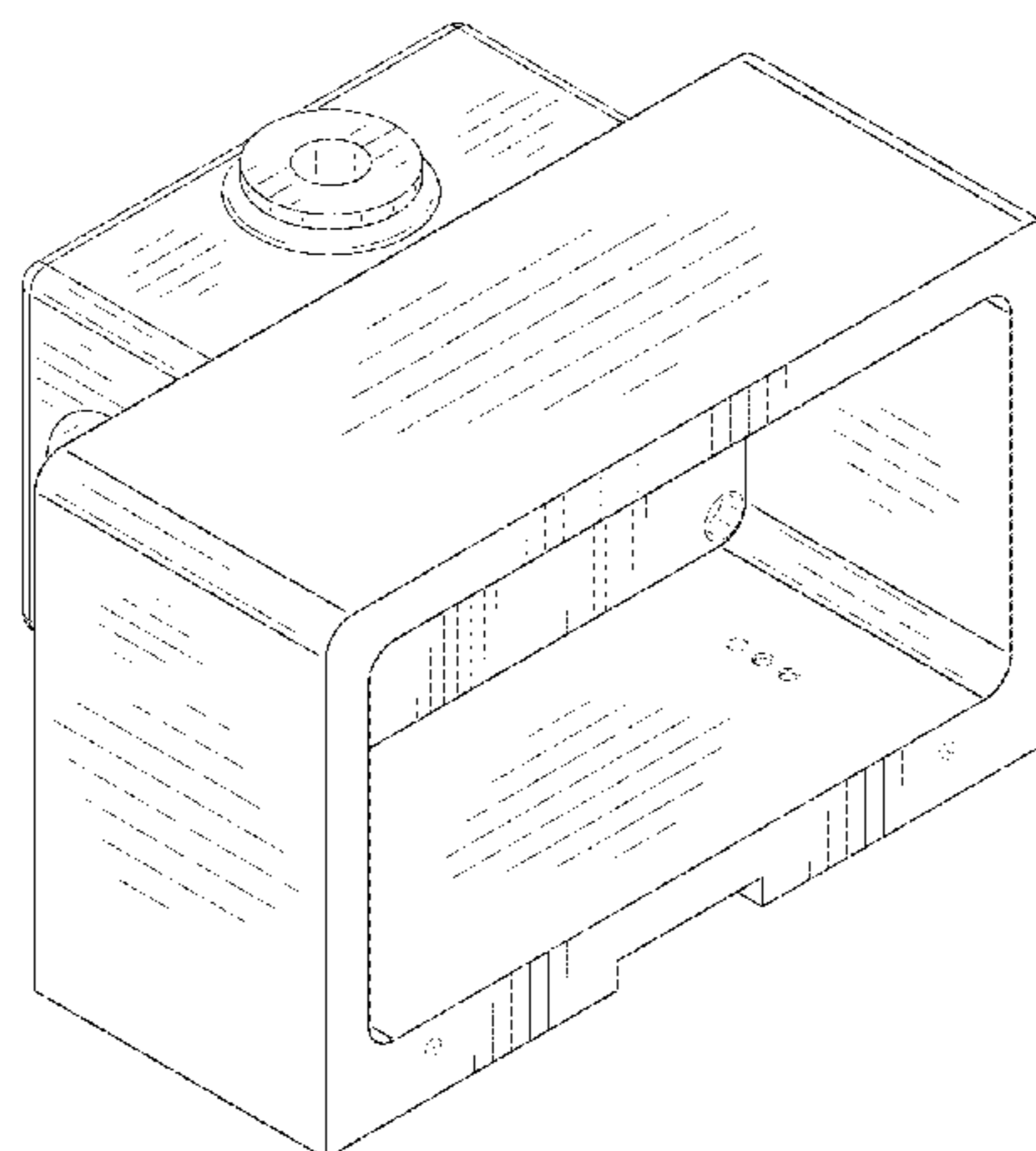
FIG. 18 is another exploded side elevation view of the fuel bowl illustrated in FIG. 1.

FIG. 19 is an exploded front elevation view of the fuel bowl illustrated in FIG. 1; and,

FIG. 20 is an exploded rear elevation view of the fuel bowl illustrated in FIG. 1.

The broken lines in FIG. 11 depict a carburetor that the fuel bowl according to the present invention is adapted to be connected to, and bolts used to connect elements of the fuel bowl to one another and the fuel bowl to the carburetor, wherein the carburetor and the bolts do not form claimed features of the present invention.

1 Claim, 16 Drawing Sheets



US D771,145 S

Page 2

(56)

References Cited

U.S. PATENT DOCUMENTS

4,737,319	A *	4/1988	Saxby	F02M 5/125	261/34.1
7,398,962	B2 *	7/2008	Cooper	F02M 5/12	261/70
D608,373	S *	1/2010	Stewart, Jr.	D15/6	
2015/0152813	A1 *	6/2015	Krup	F02M 17/02	137/1
2016/0047336	A1 *	2/2016	Laws	F02M 5/14	261/34.2
2016/0097347	A1 *	4/2016	Kyle	F02M 5/14	95/39

* cited by examiner

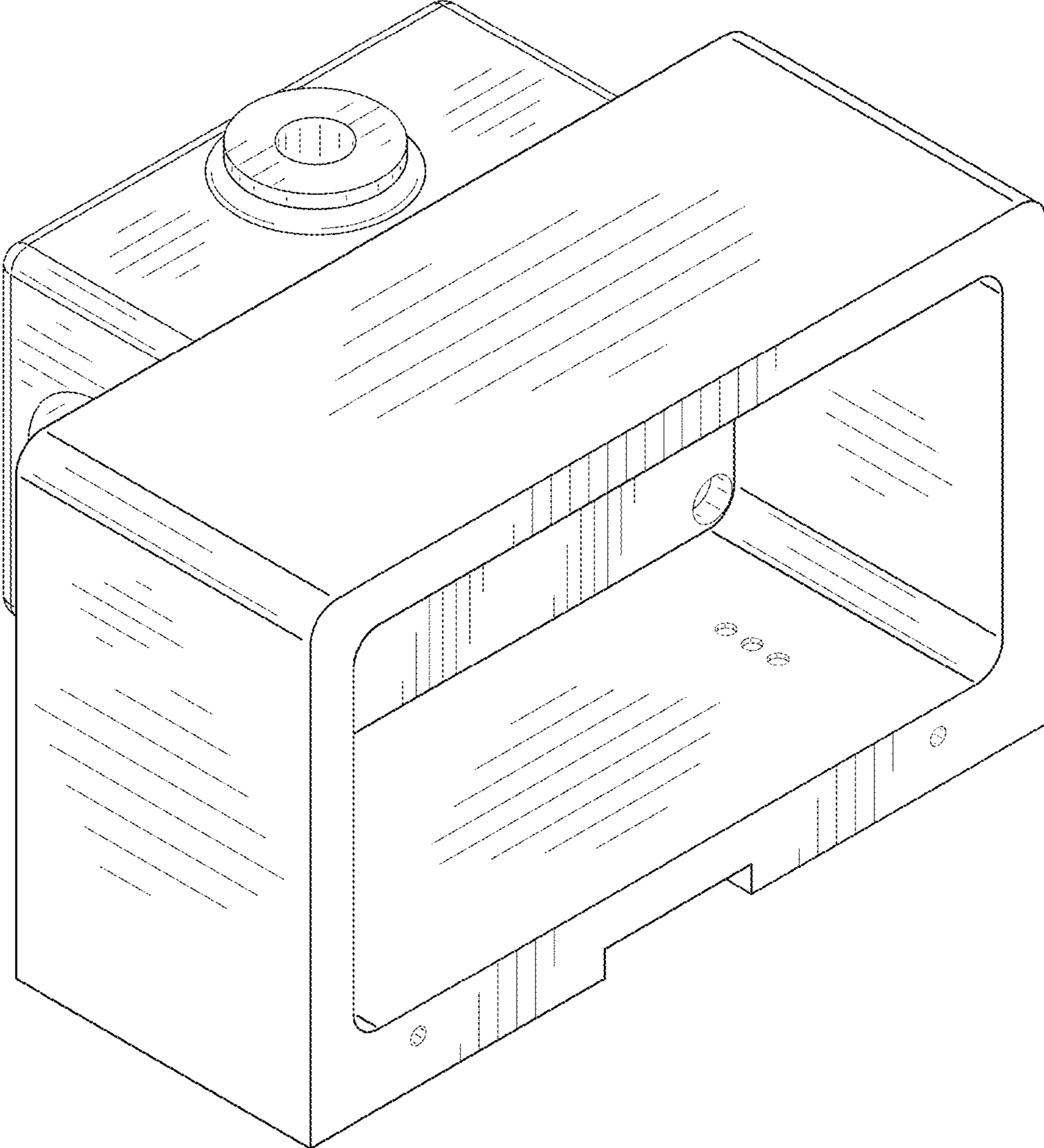


FIG. 1

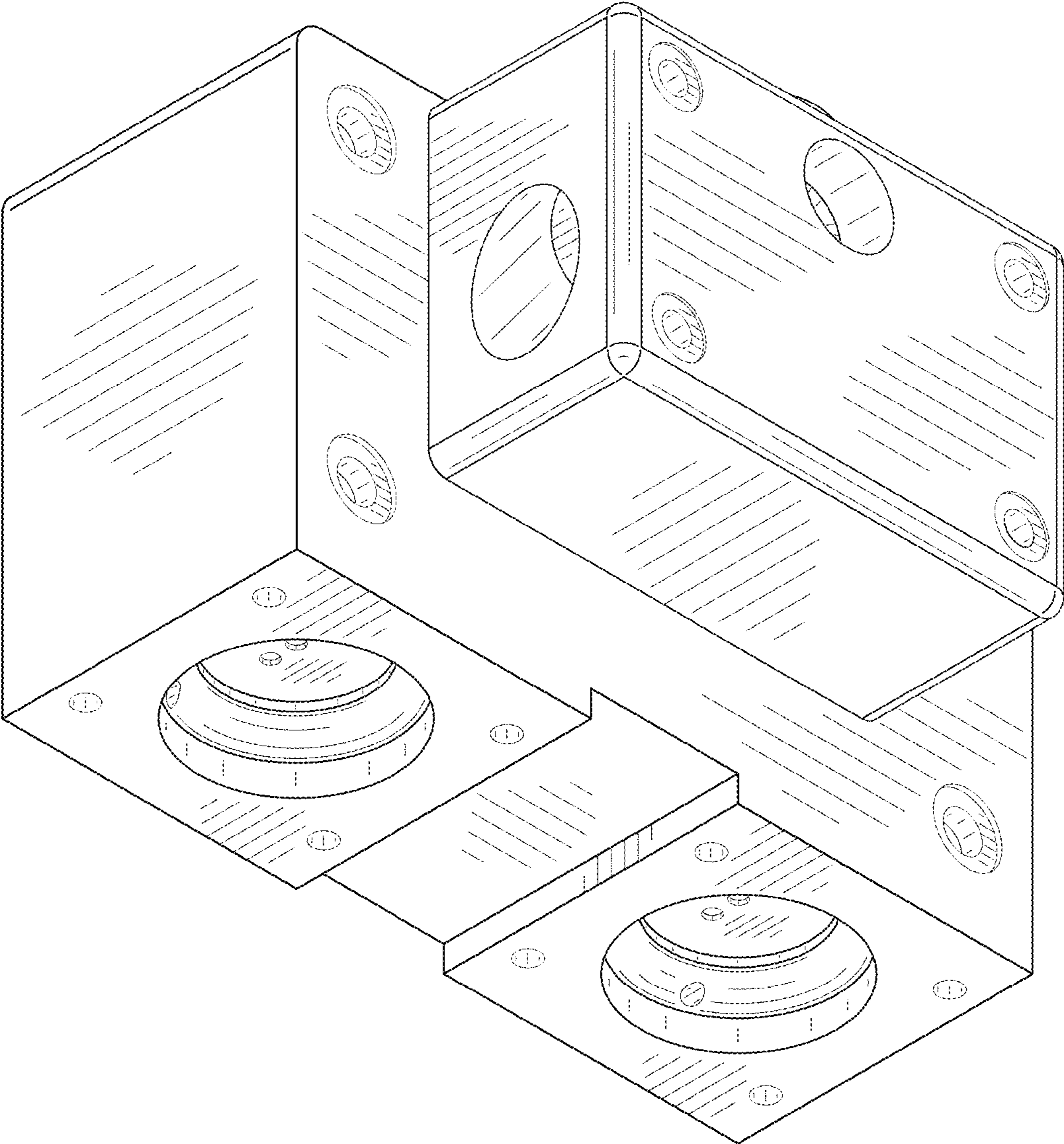


FIG. 2

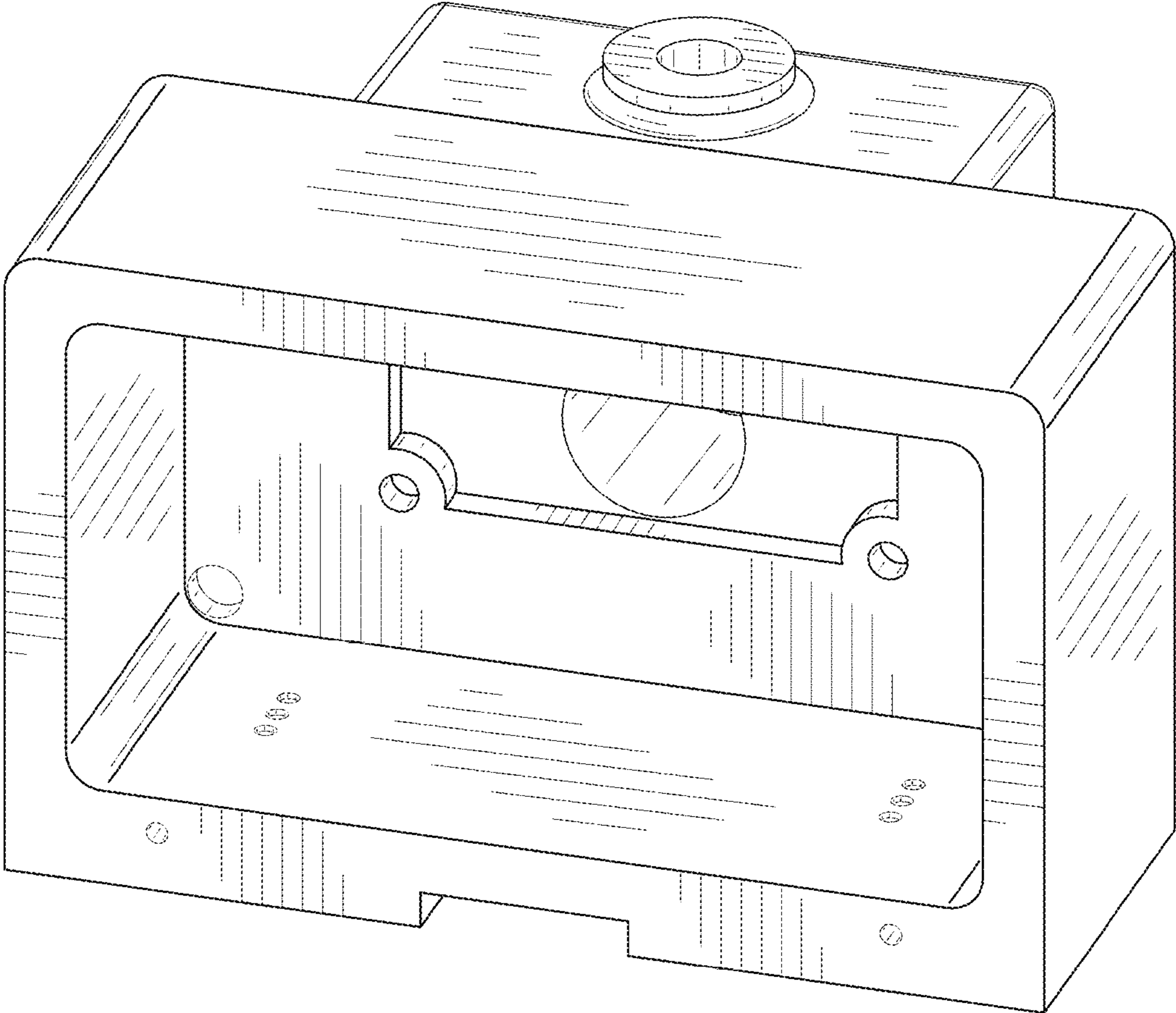


FIG. 3

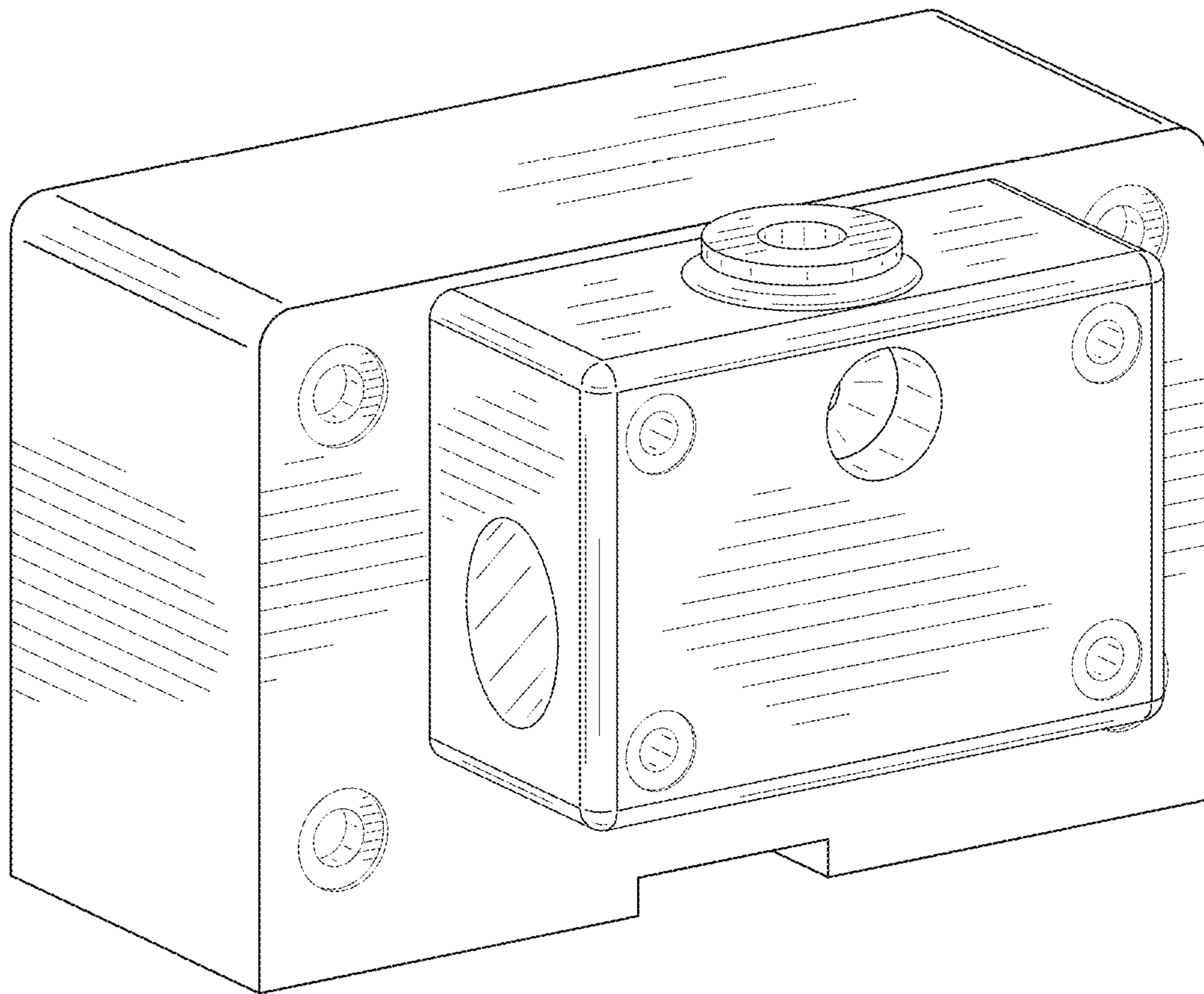


FIG. 4

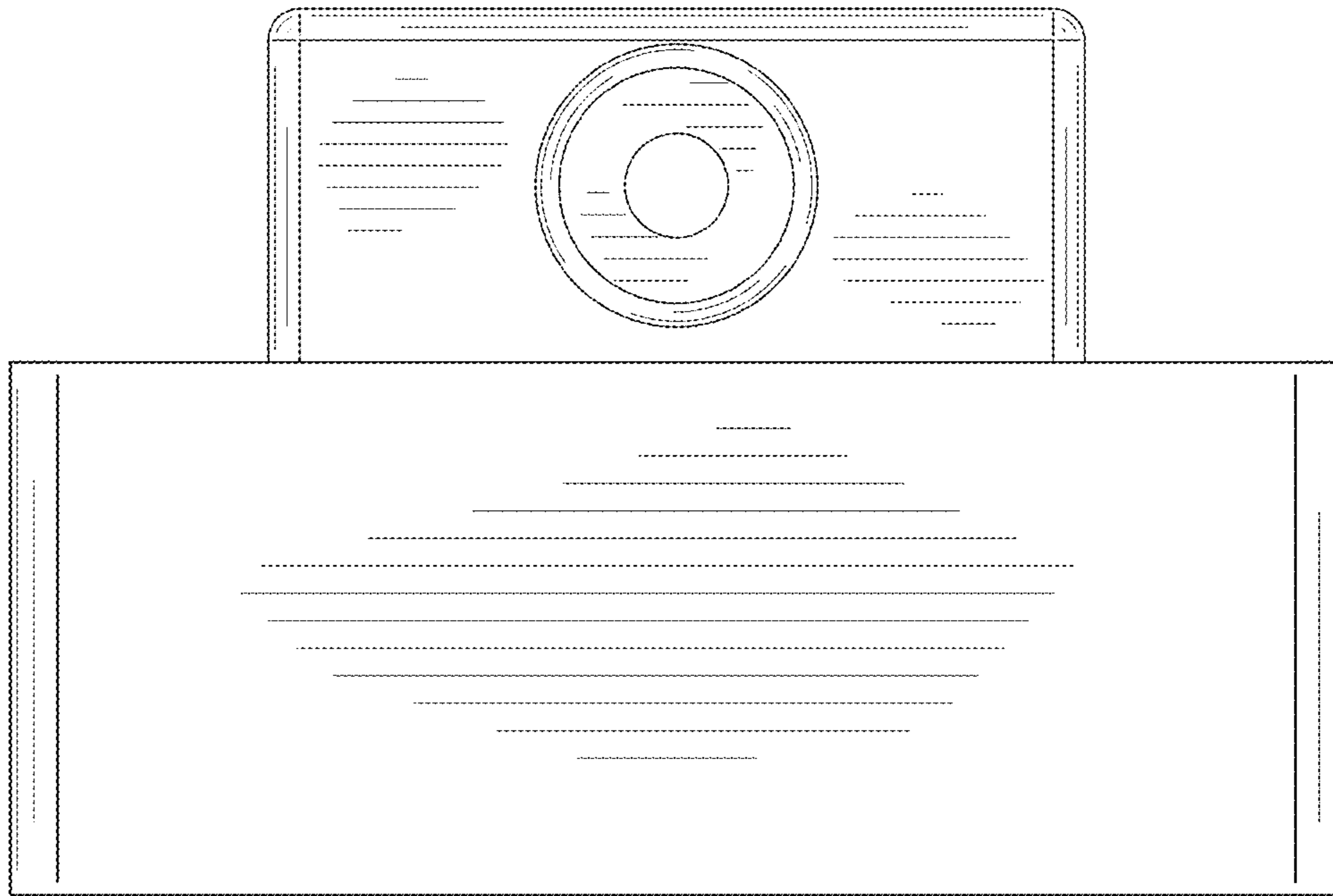


FIG. 5

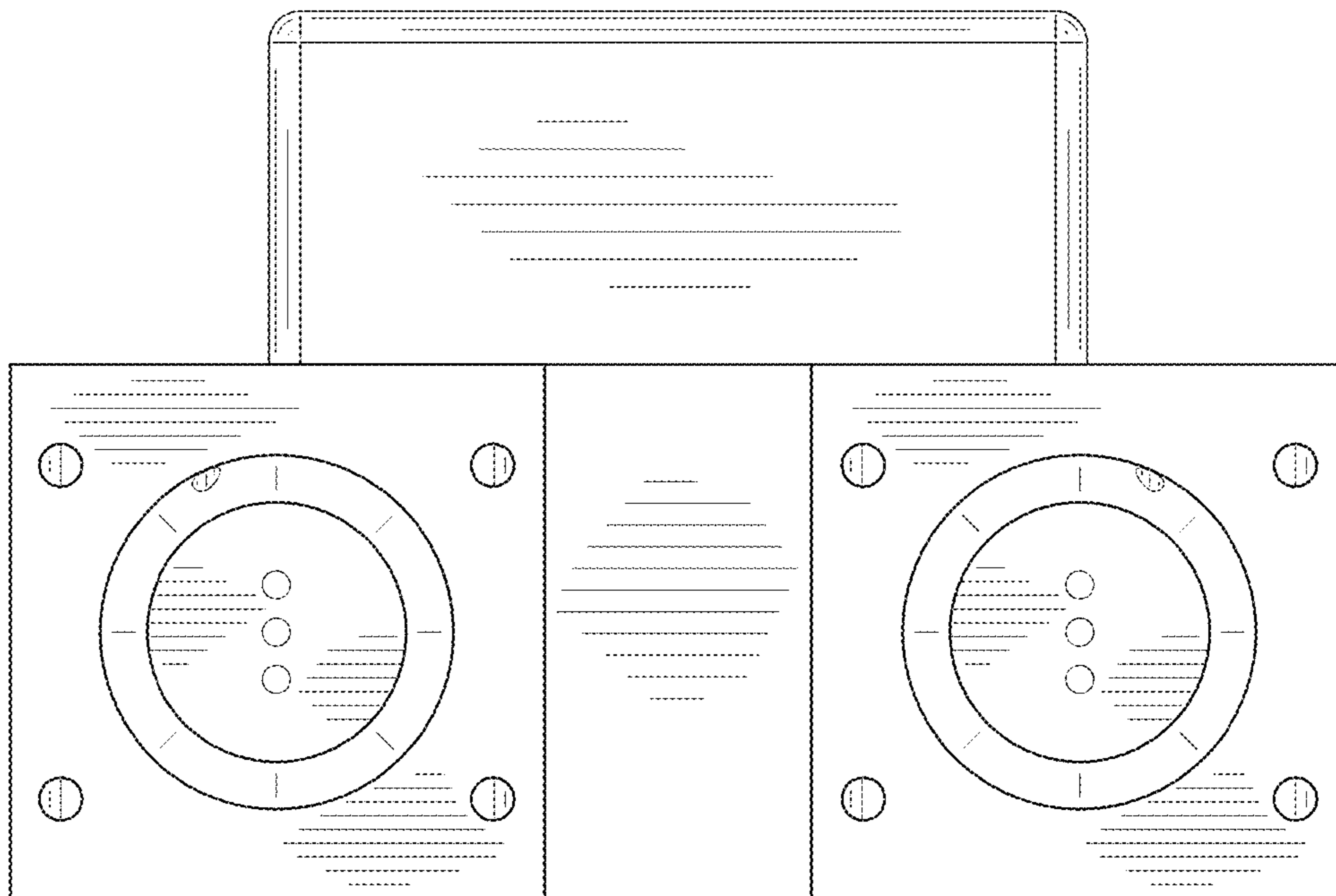


FIG. 6

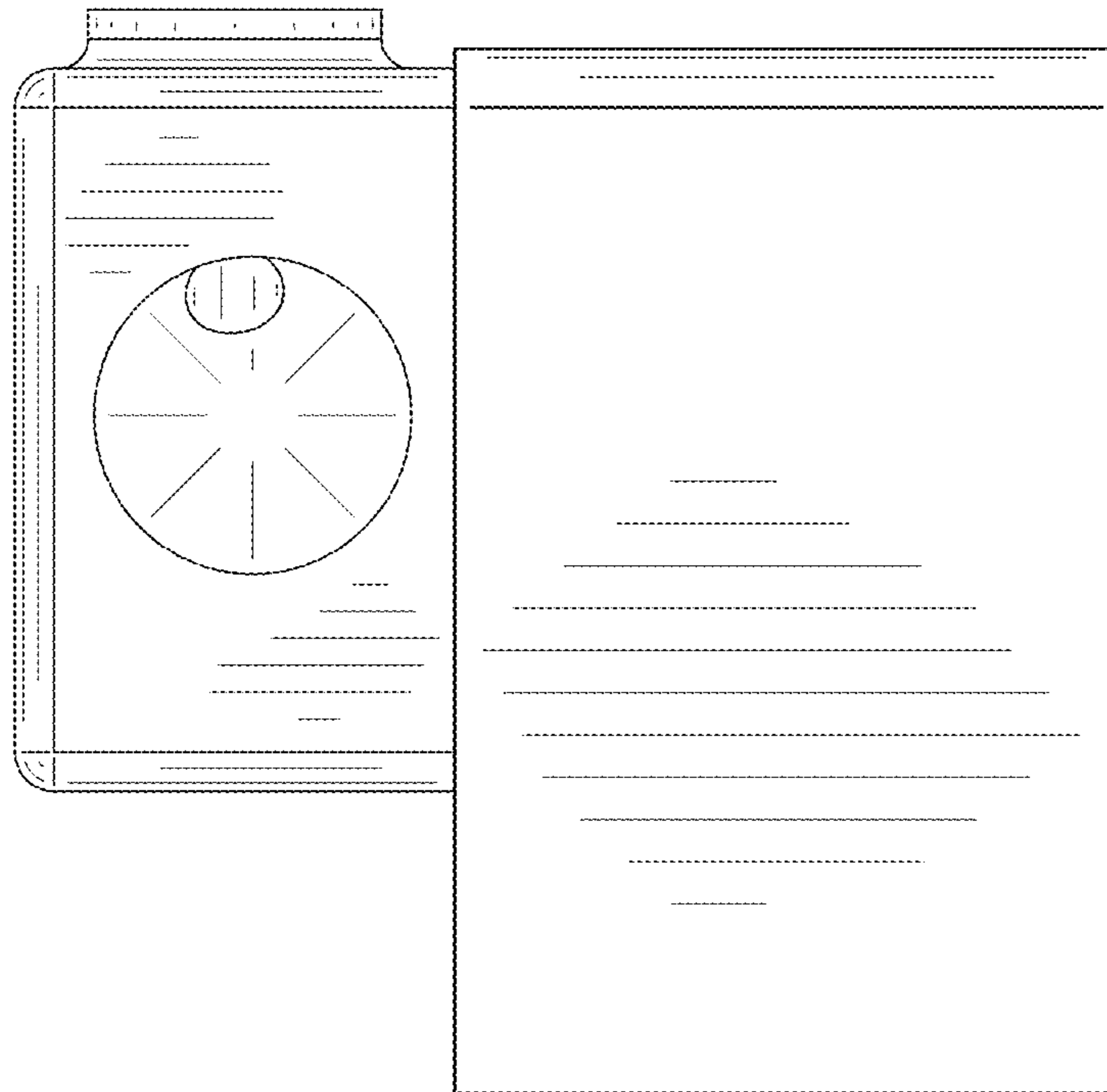


FIG. 7

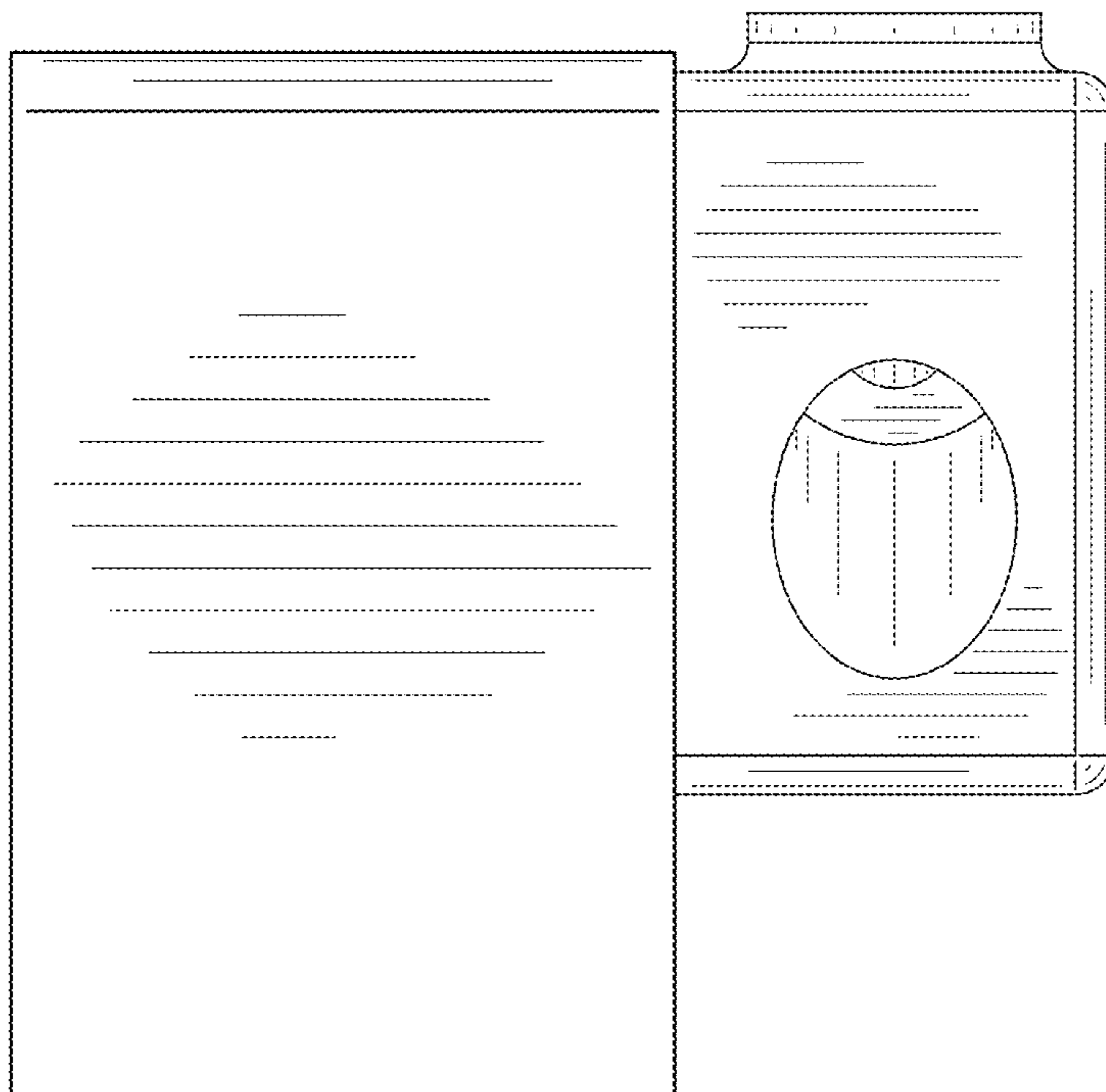


FIG. 8

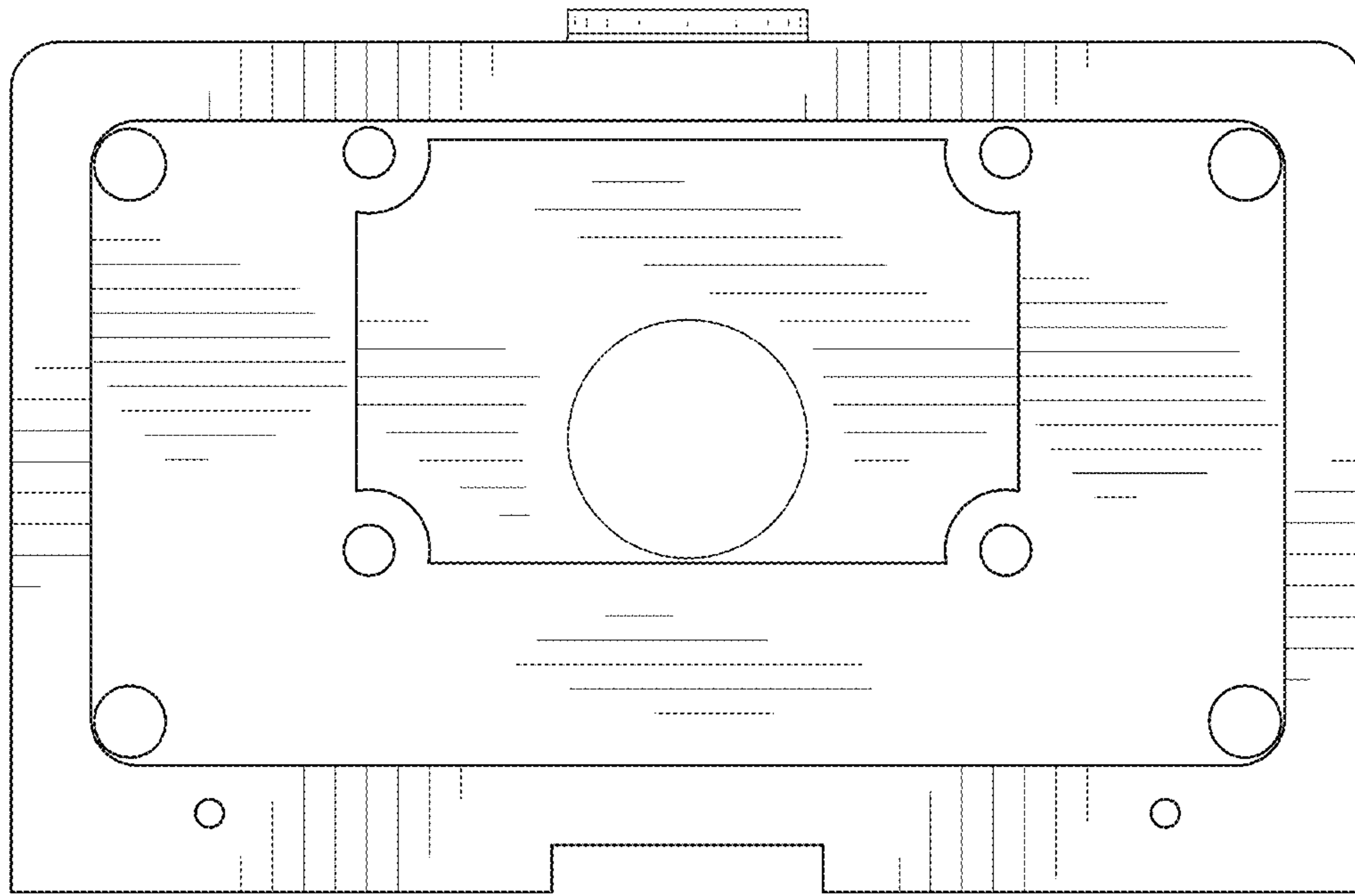


FIG. 9

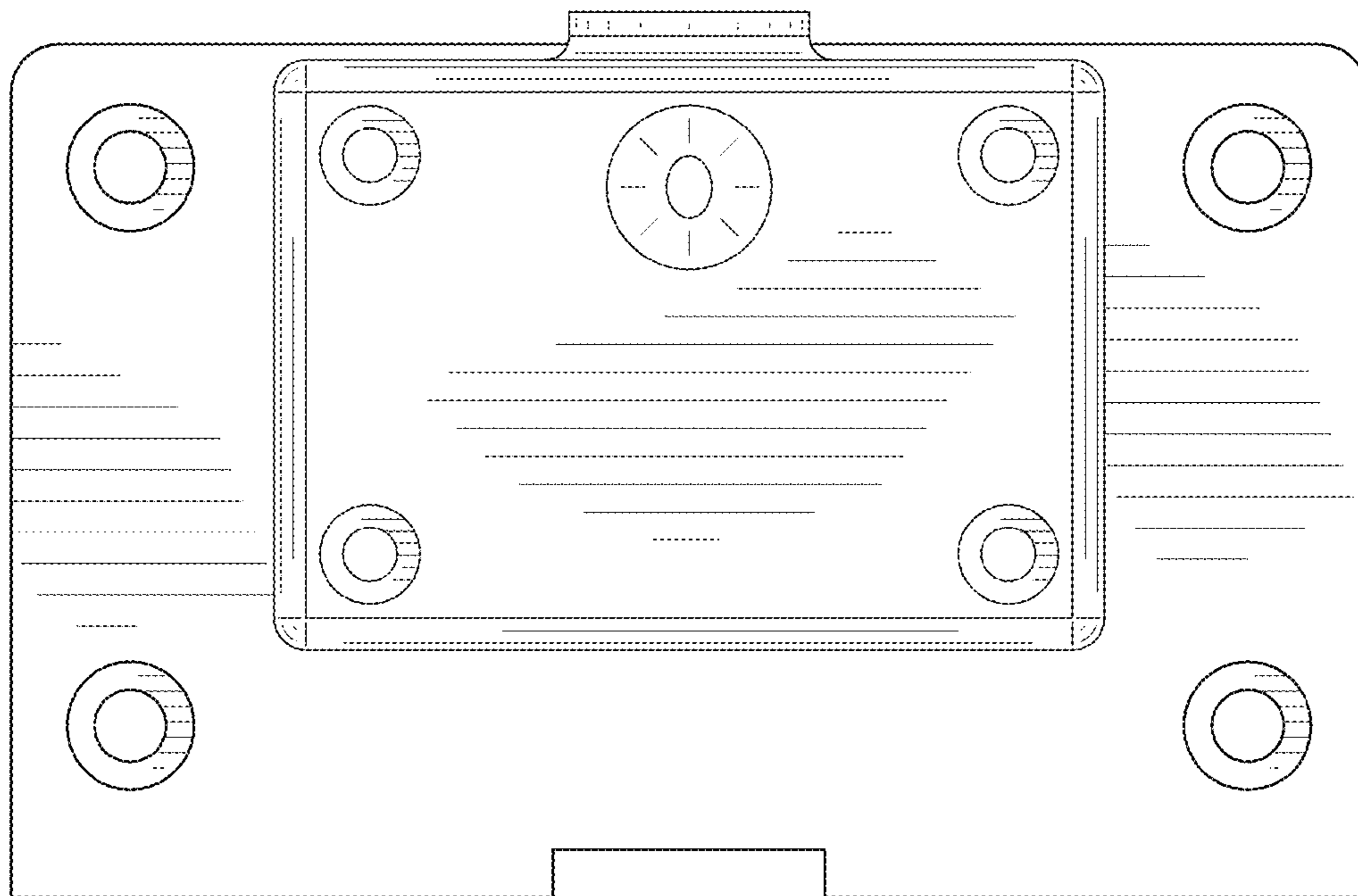


FIG. 10

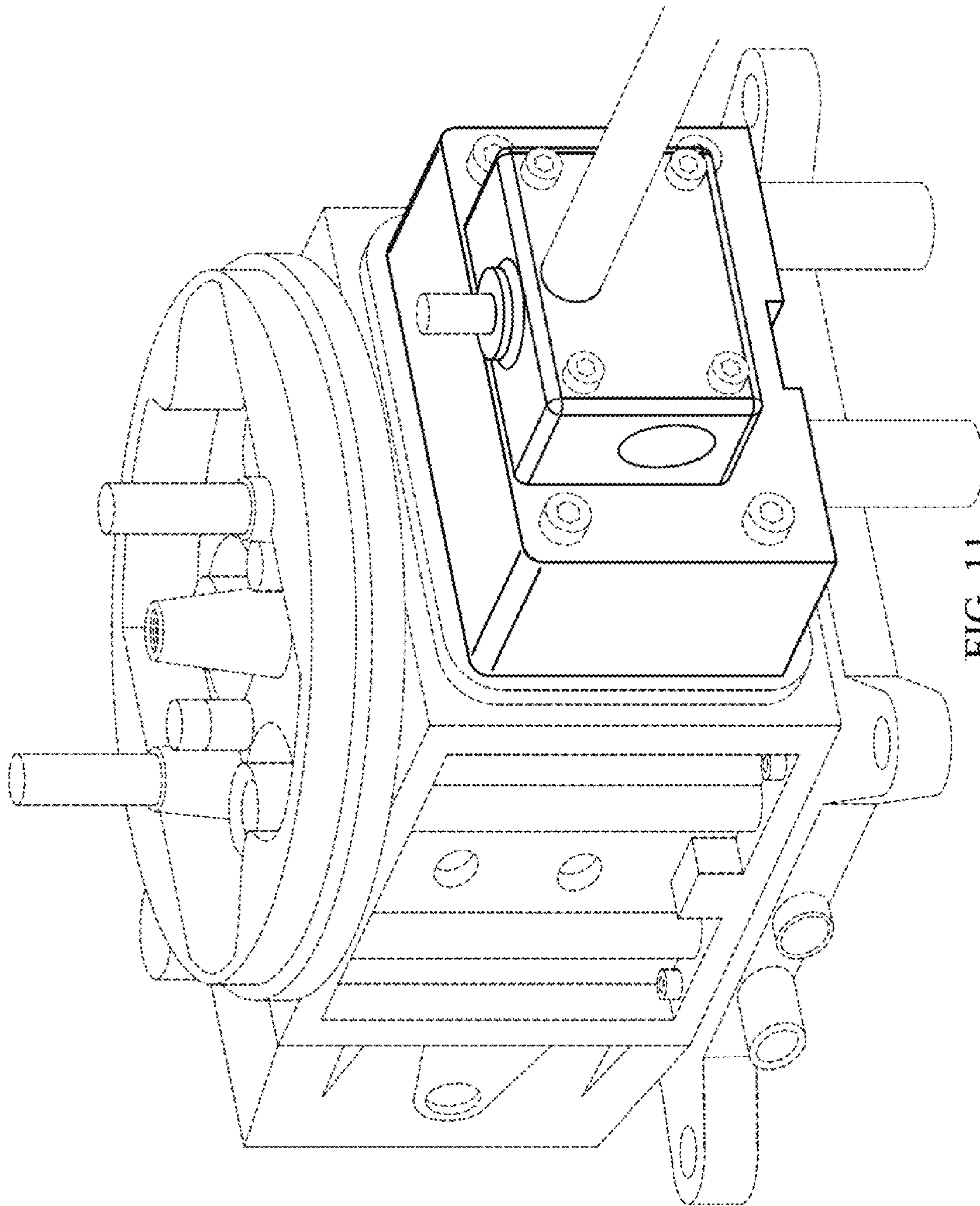


FIG. 11

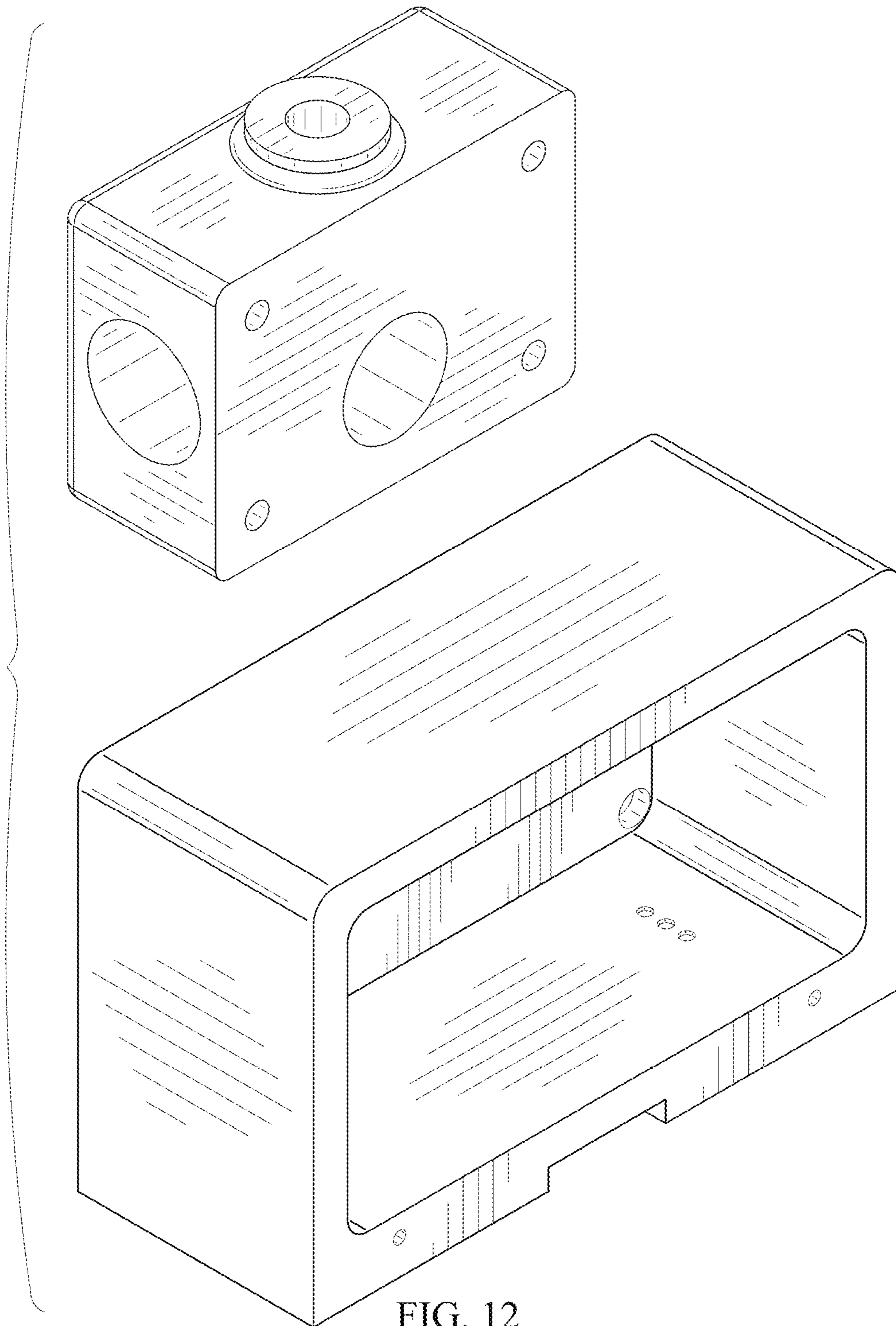


FIG. 12

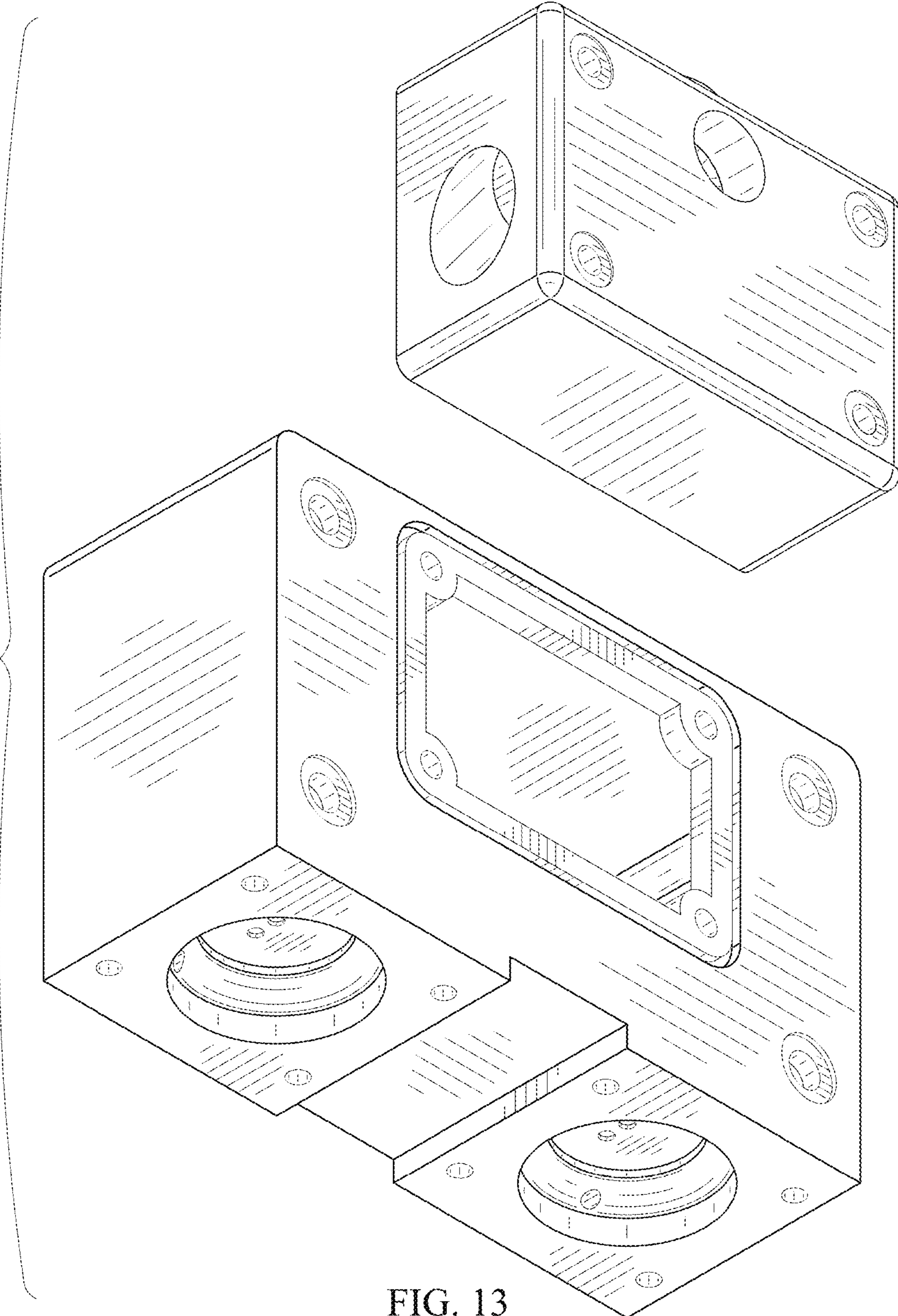


FIG. 13

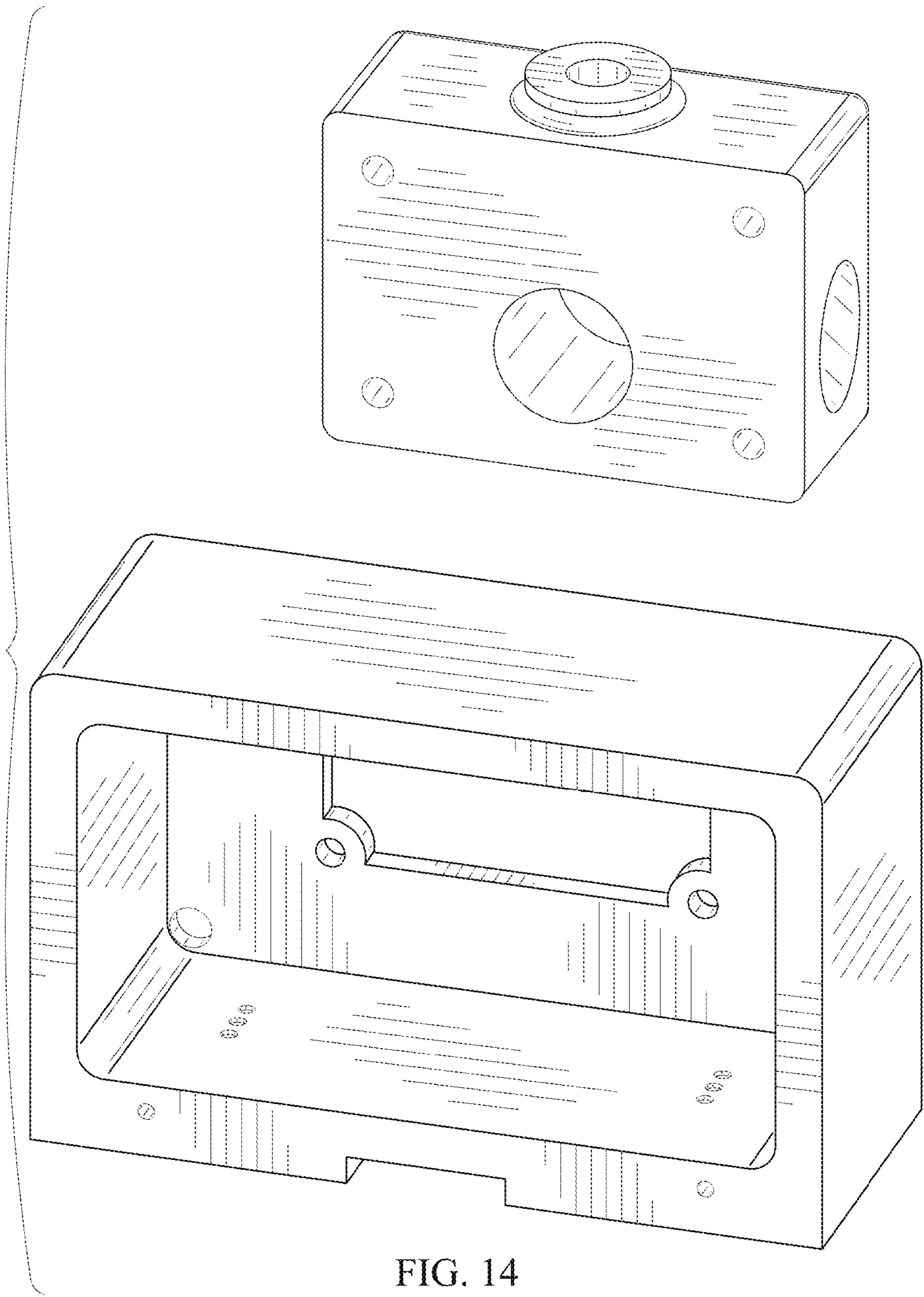


FIG. 14

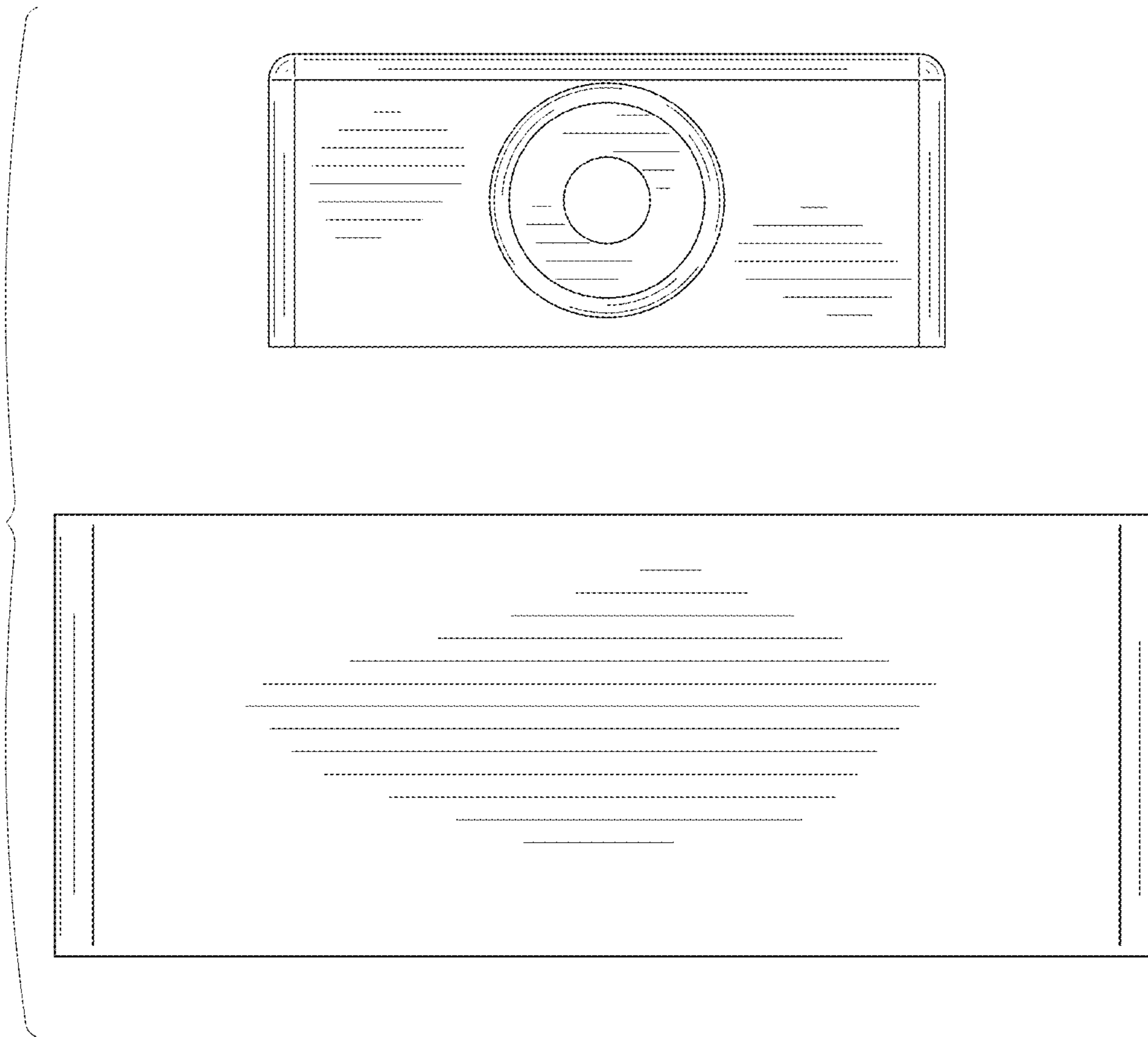


FIG. 15

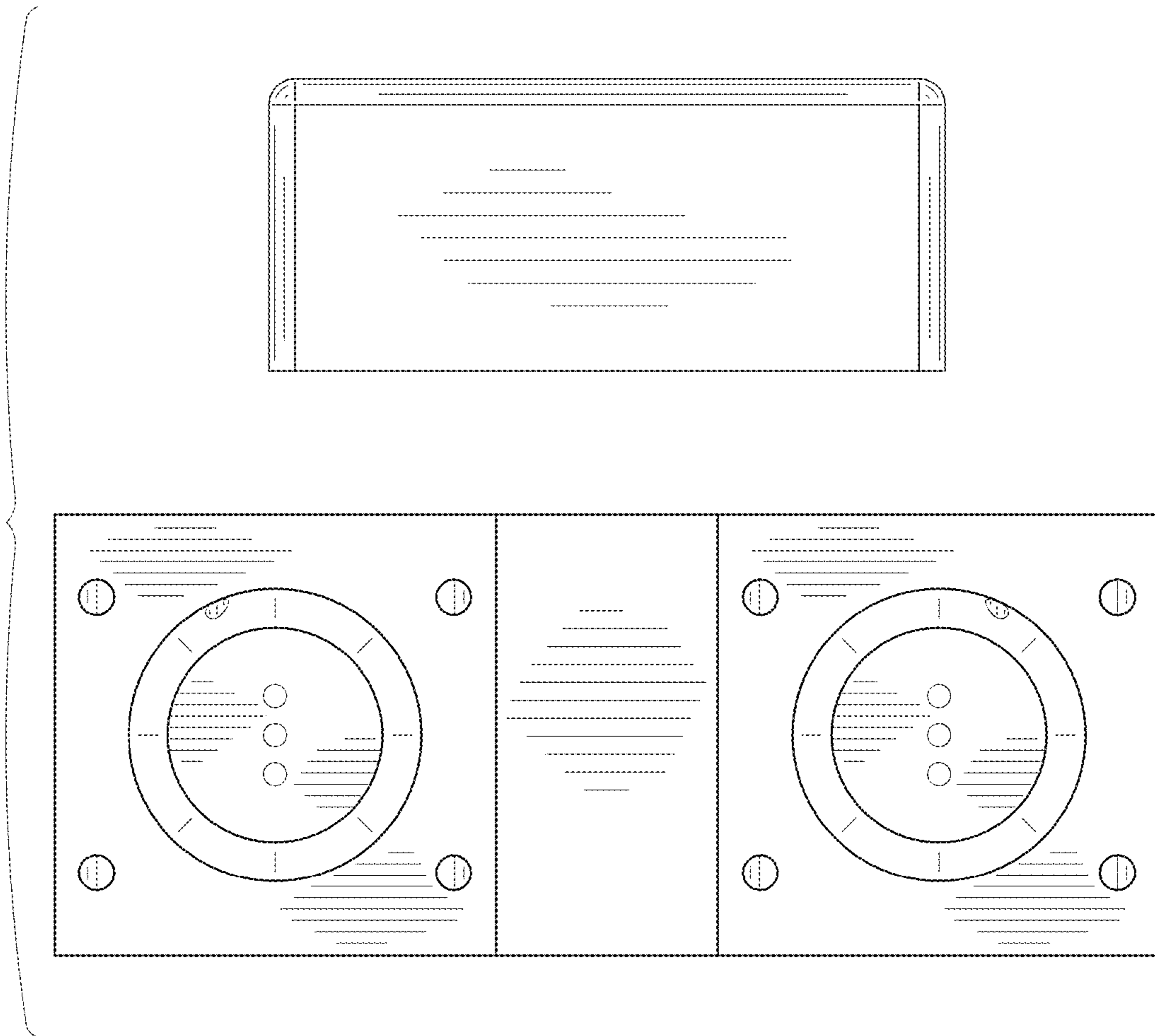


FIG. 16

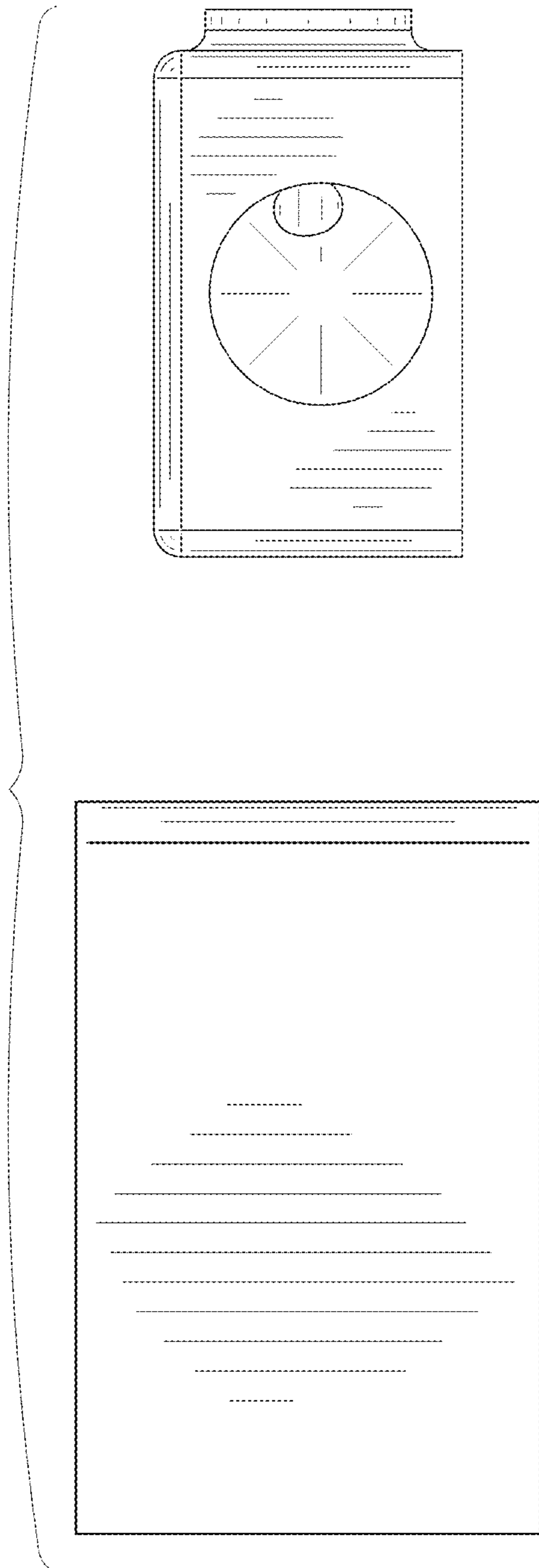


FIG. 17

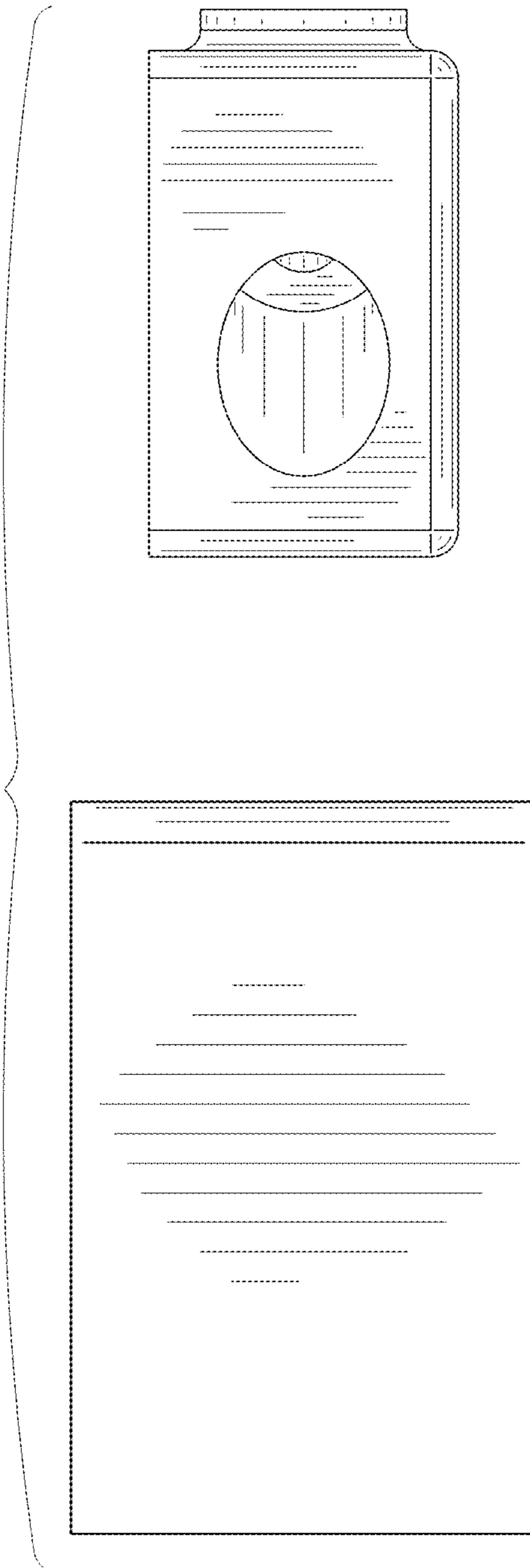


FIG. 18

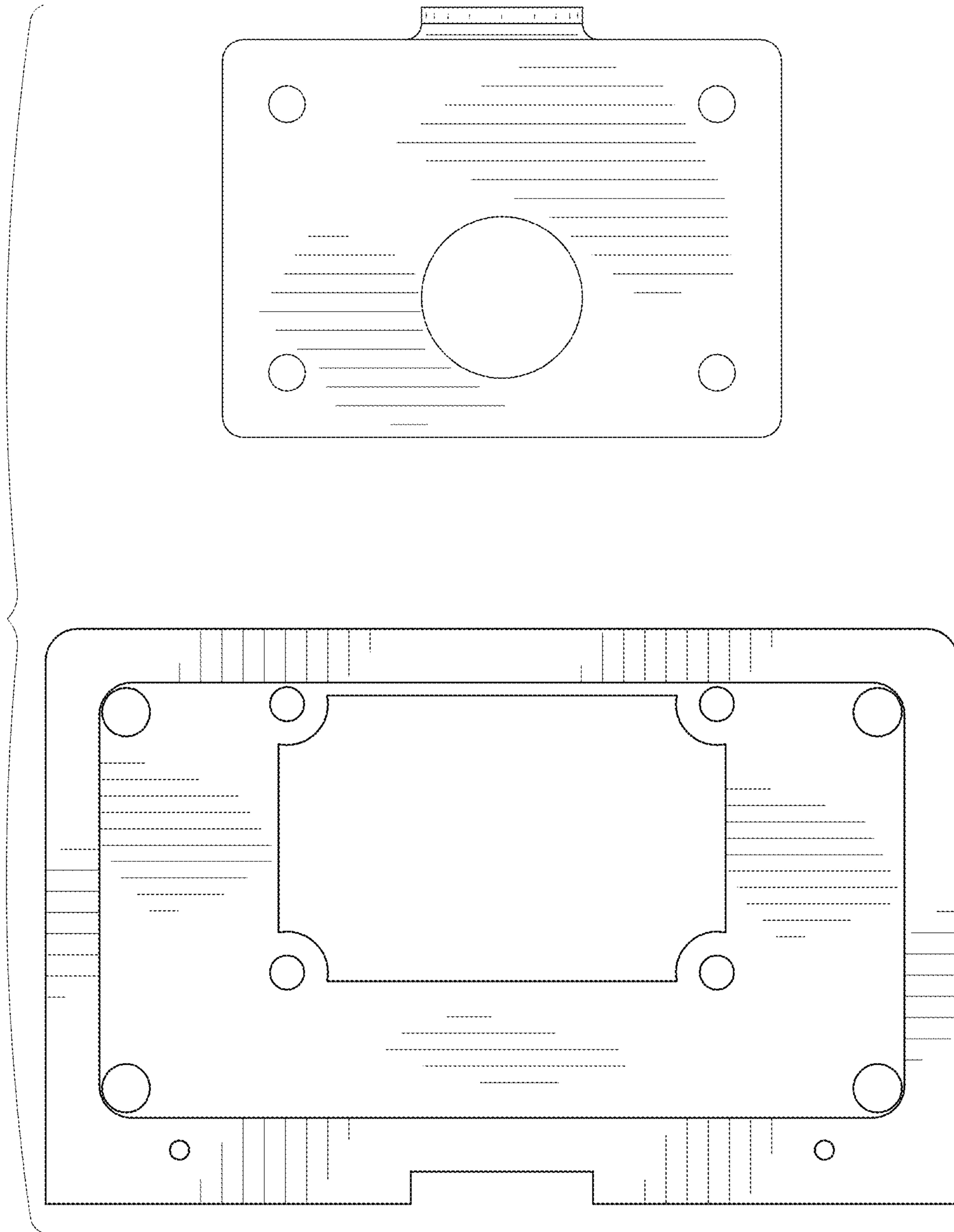


FIG. 19

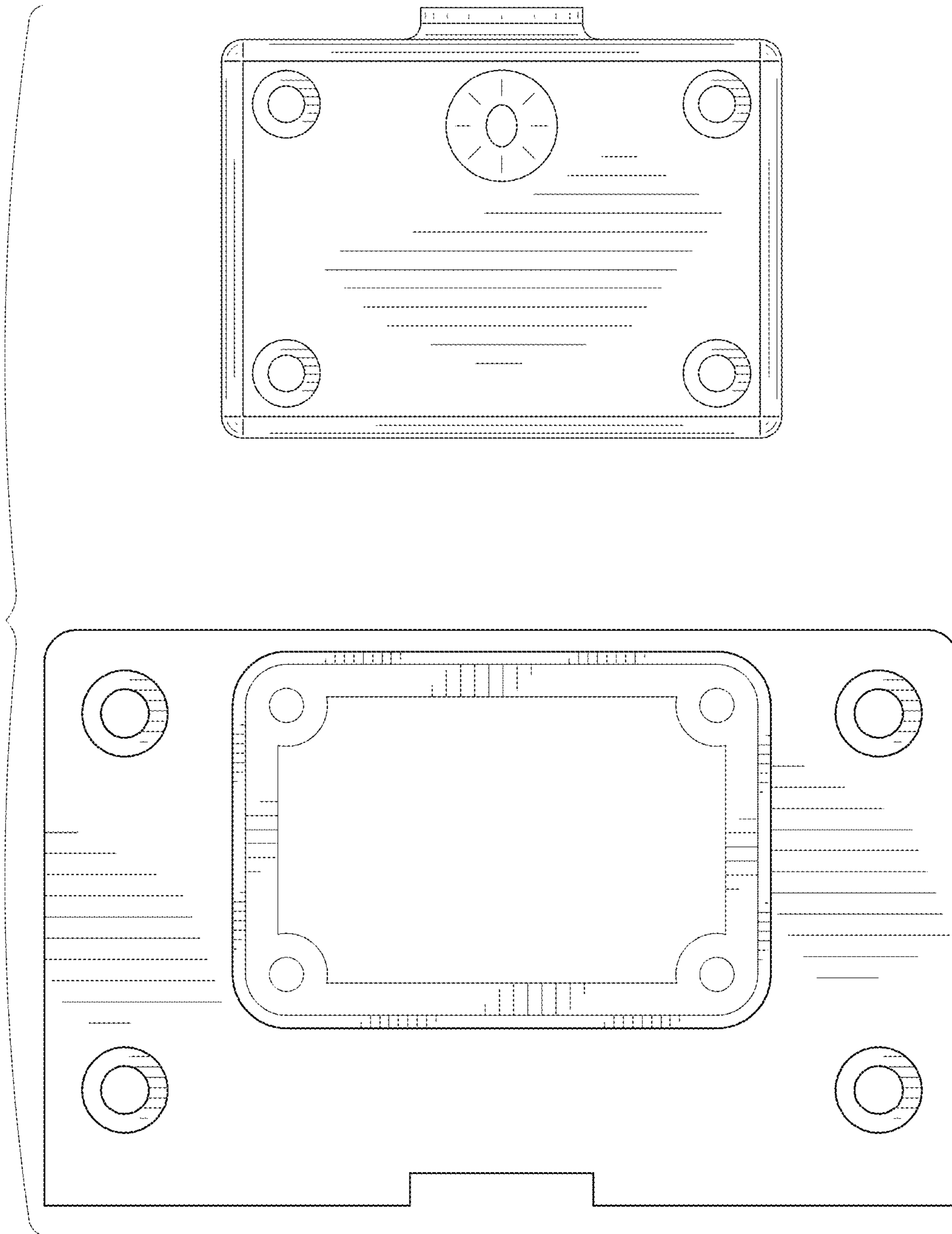


FIG. 20