



US00D771143S

(12) **United States Design Patent** (10) **Patent No.:** **US D771,143 S**
Yu et al. (45) **Date of Patent:** **** Nov. 8, 2016**

(54) **GASOLINE ENGINE**
(71) Applicant: **CHONGQING SHINERAY AGRICULTURAL MACHINERY CO., LTD**, Chongqing (CN)
(72) Inventors: **Fang Yu**, Chongqing (CN); **Shunfeng Liu**, Chongqing (CN)

(**) Term: **15 Years**

(21) Appl. No.: **29/530,679**

(22) Filed: **Jun. 18, 2015**

(30) **Foreign Application Priority Data**

Dec. 27, 2014 (CN) 2014 3 0556064

(51) **LOC (10) Cl.** **15-01**

(52) **U.S. Cl.**
USPC **D15/1**

(58) **Field of Classification Search**

USPC D15/1-6; D13/184; 123/195 C
CPC F02B 75/007; F02B 61/02; F02B 75/005;
F02B 2075/022; F02B 75/16; F02B
2075/1808; F02B 75/34; F02B 77/02; F02B
2700/03; F02B 2710/03; F02B 2730/011;
F02B 63/02; F02B 2075/027; F02B
2075/1816; F02B 2075/1824; F02B
2063/045; F01M 13/022; F01M 2013/0461;
F01M 13/04; F02F 7/0068; Y10S 55/14
See application file for complete search history.

(56) **References Cited**

U.S. PATENT DOCUMENTS

5,072,627 A * 12/1991 Horiye F02N 15/006
74/6
D515,589 S * 2/2006 Lin D15/1
D552,128 S * 10/2007 Li D15/1
D561,784 S * 2/2008 Yin D15/1
D584,745 S * 1/2009 Wei D15/1
D612,402 S * 3/2010 Dai D15/1
D634,333 S * 3/2011 Johnson D15/1
D635,585 S * 4/2011 Harmelink D15/1

D638,444 S * 5/2011 He D15/1
D671,559 S * 11/2012 Martinek D15/1
D671,958 S * 12/2012 Wu D15/1
D689,522 S * 9/2013 Johnson D15/1
D695,317 S * 12/2013 Yano D15/1
D709,522 S * 7/2014 Yano D15/1
D709,523 S * 7/2014 Nonaka D15/1
2003/0154934 A1 * 8/2003 Nakamizo F01P 1/02
123/41.56
2011/0020151 A1 * 1/2011 Tiefenthaler E01H 1/0809
417/363

* cited by examiner

Primary Examiner — T. Chase Nelson

Assistant Examiner — Ania Aman

(74) *Attorney, Agent, or Firm* — Global IP Services;
Tianhua Gu

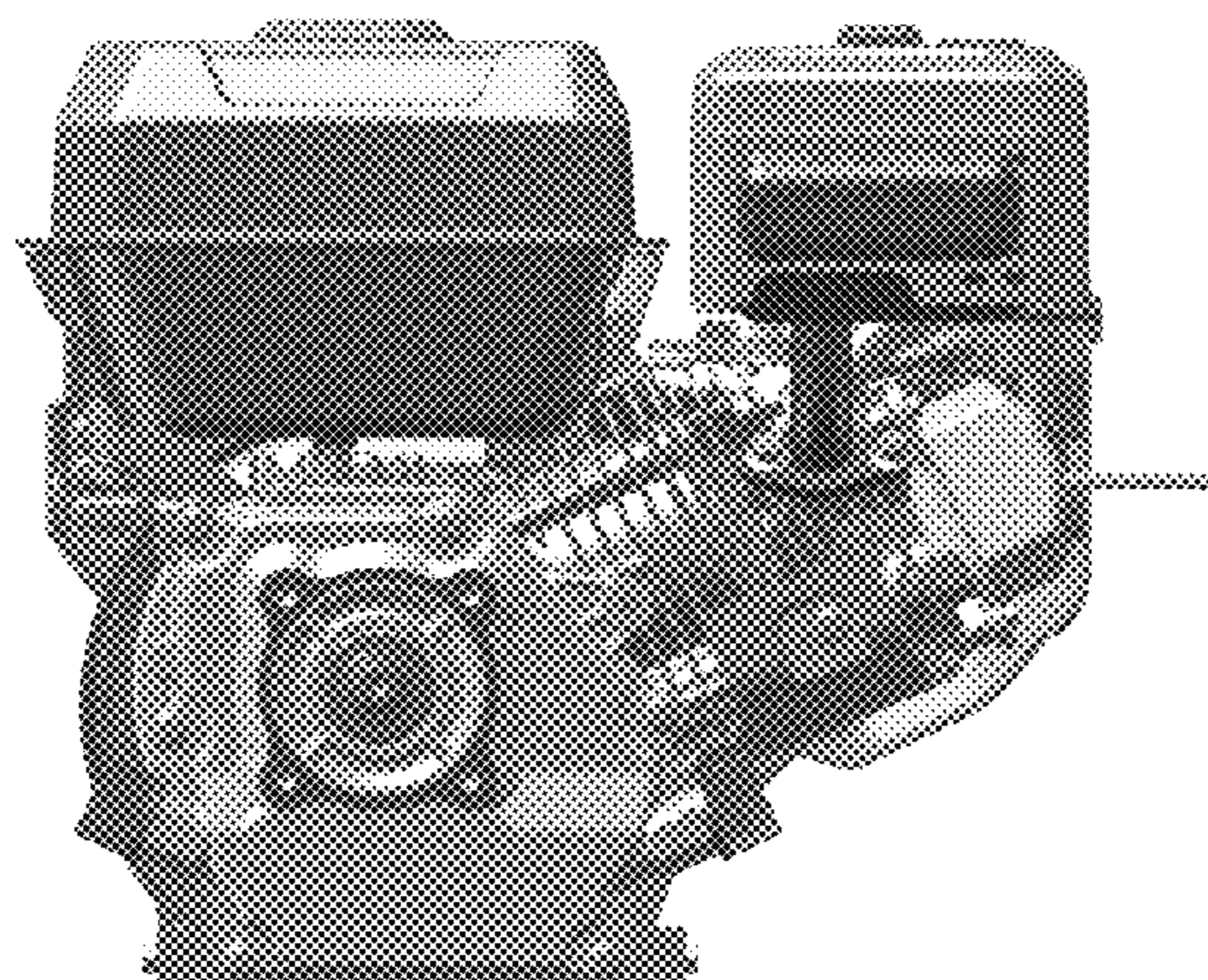
(57) **CLAIM**

The ornamental design for a gasoline engine, as shown and described.

DESCRIPTION

FIG. 1 is a front elevation view of a gasoline engine showing my new design;
FIG. 2 is a rear elevation view thereof;
FIG. 3 is a left side elevation view thereof;
FIG. 4 is a right side elevation view thereof;
FIG. 5 is a top plan view thereof;
FIG. 6 is a bottom plan view thereof;
FIG. 7 is a perspective view showing views of the front side, right side and bottom side thereof;
FIG. 8 is a perspective view showing views of the rear side, top side and right side thereof;
FIG. 9 is a perspective view showing views of the front side, right side and bottom side thereof;
FIG. 10 is a perspective view showing views of the rear side, right side and bottom side thereof;
FIG. 11 is a perspective view showing views of front side, left side and top side thereof; and,
FIG. 12 is a perspective view showing views of rear side, right side and bottom side thereof.
The front, rear, left, right, top, and bottom sides are oriented by the FIG. 1.

1 Claim, 12 Drawing Sheets



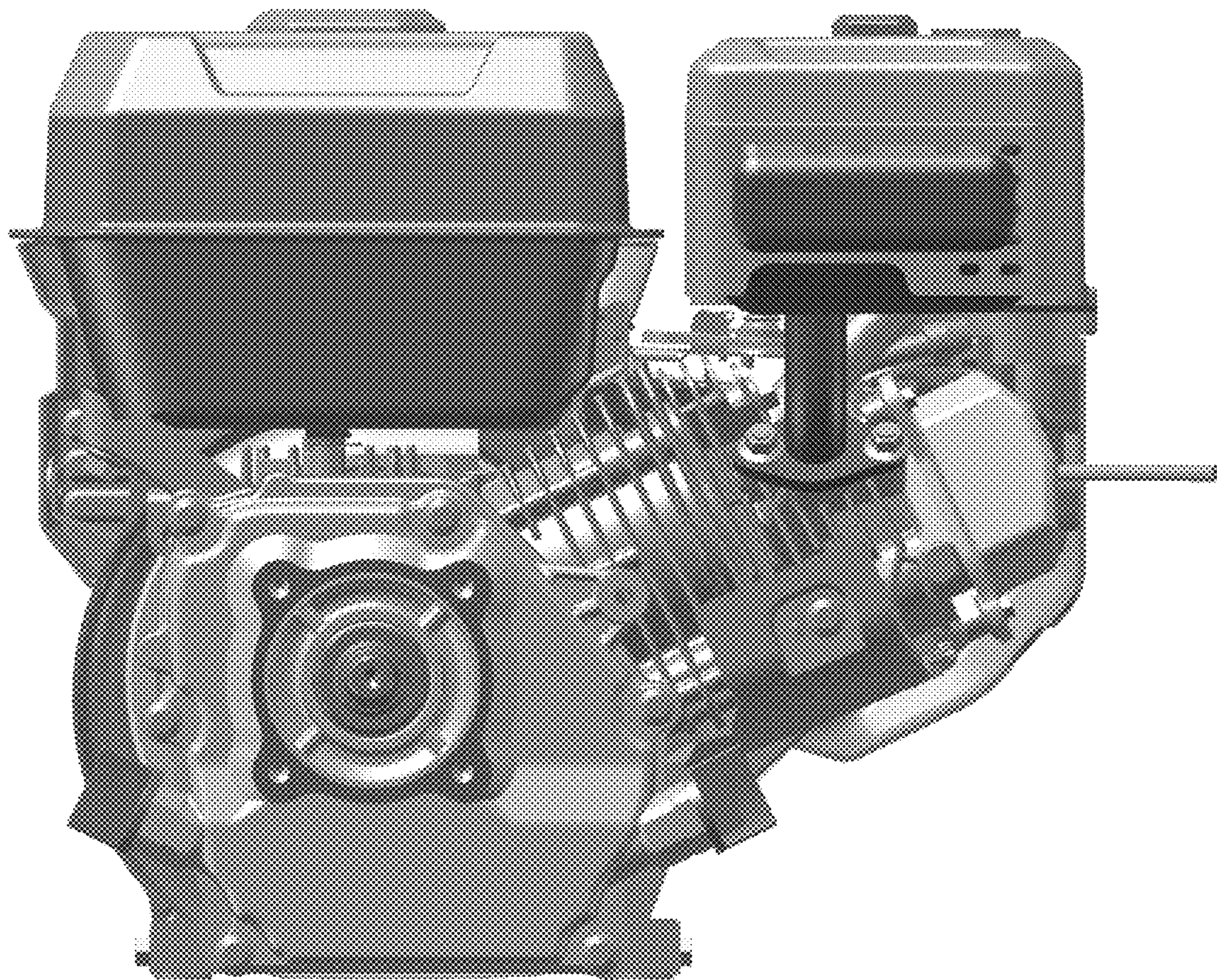


FIG. 1

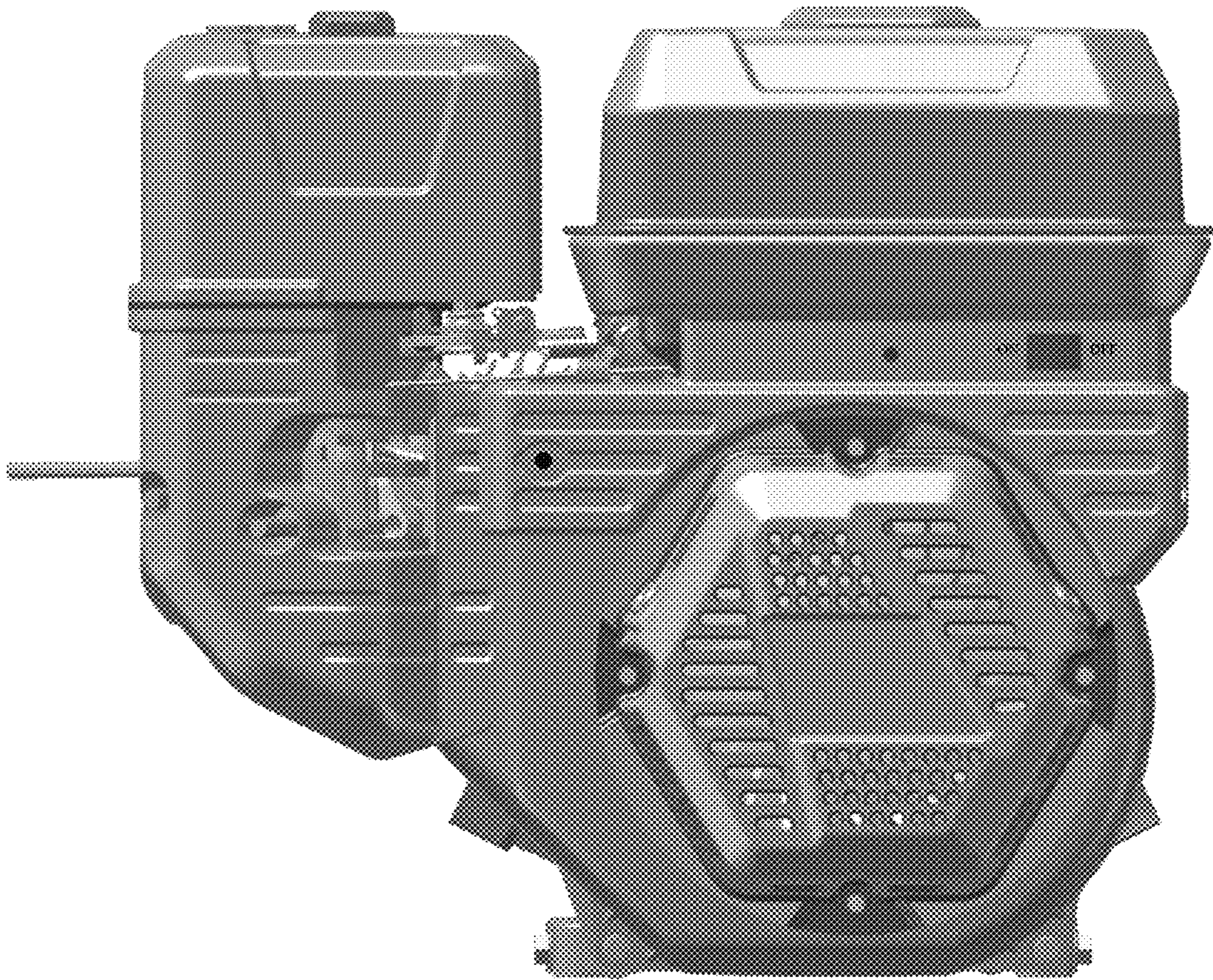


FIG. 2

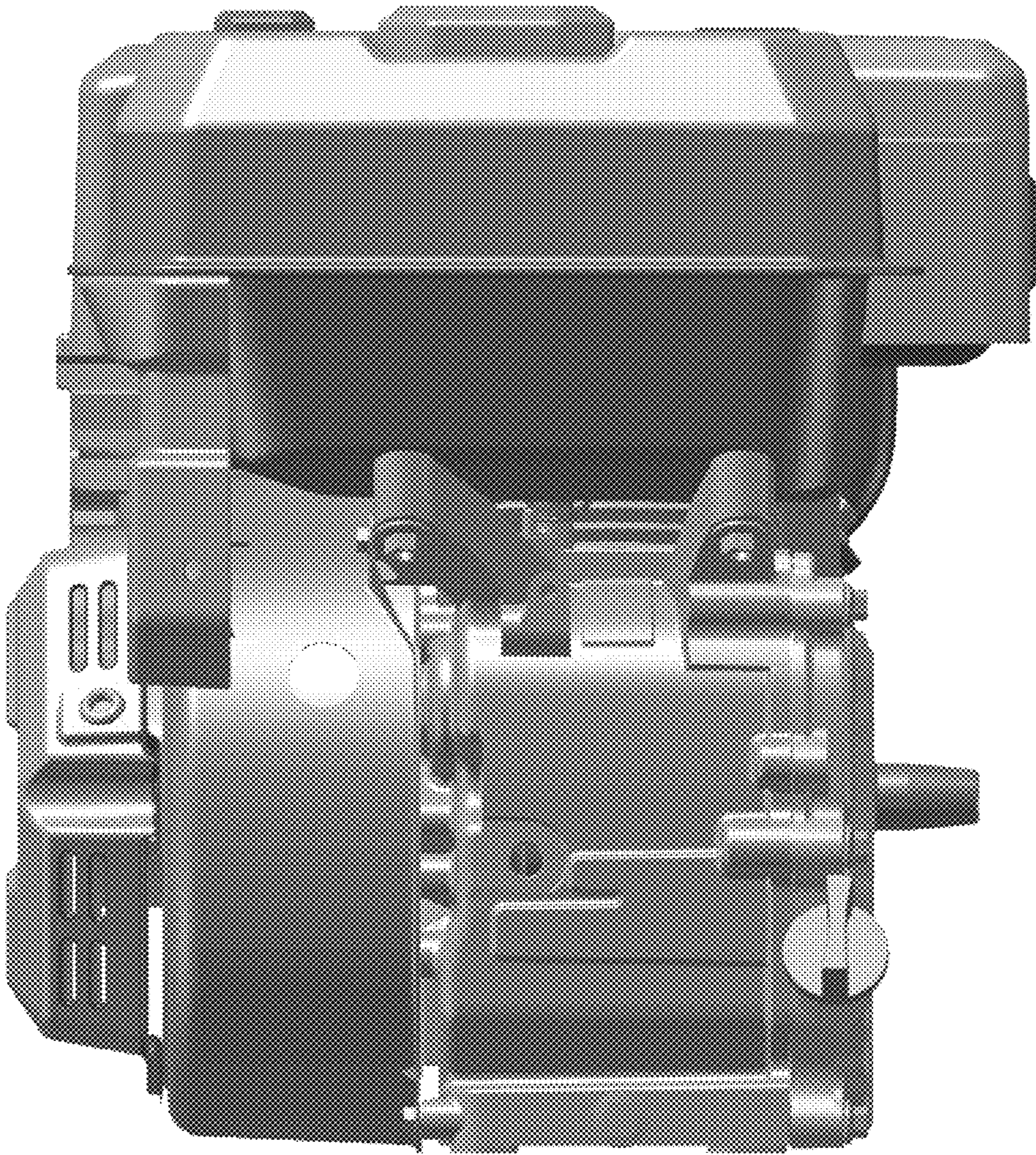


FIG. 3

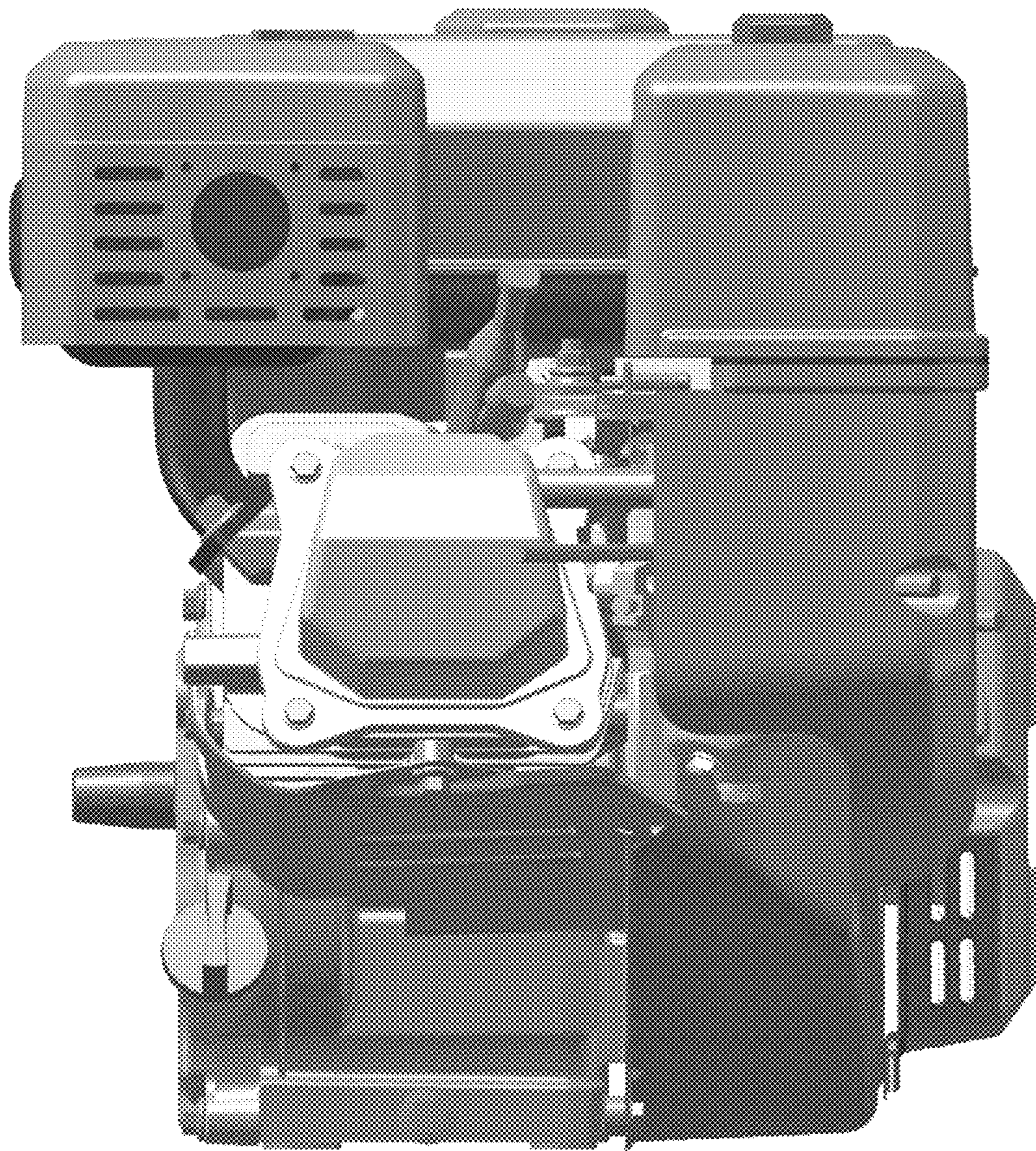


FIG. 4

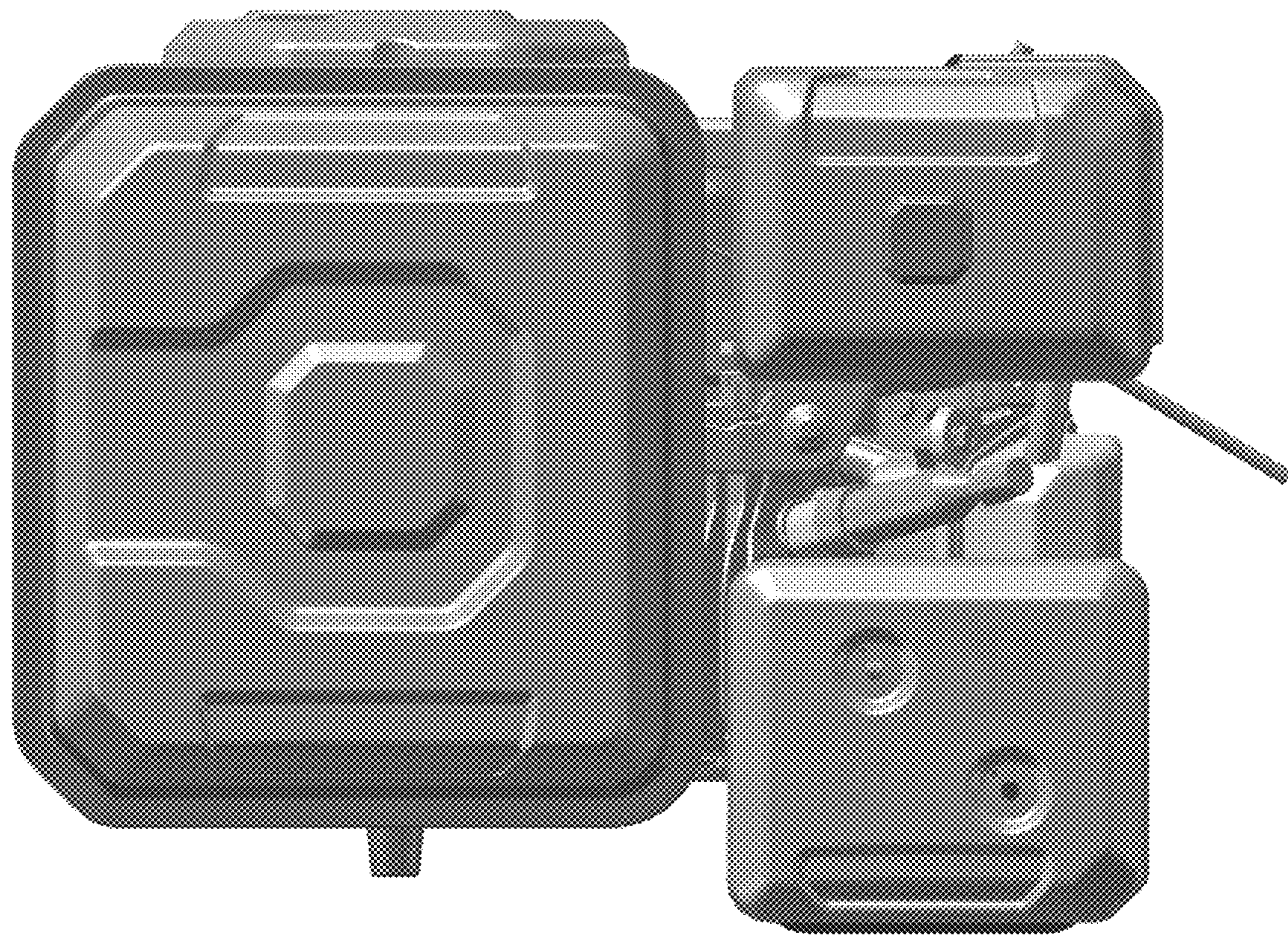


FIG. 5

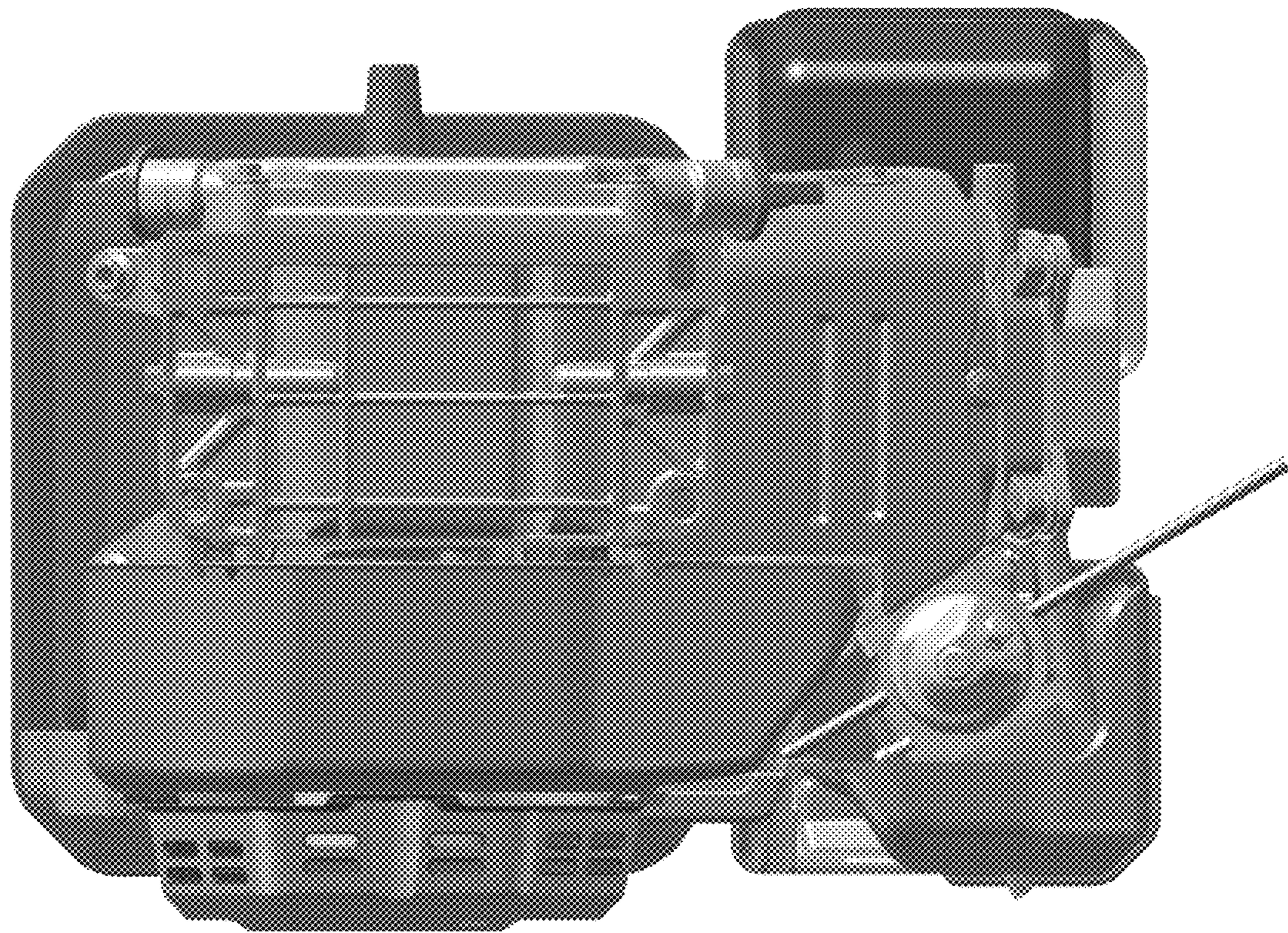


FIG. 6

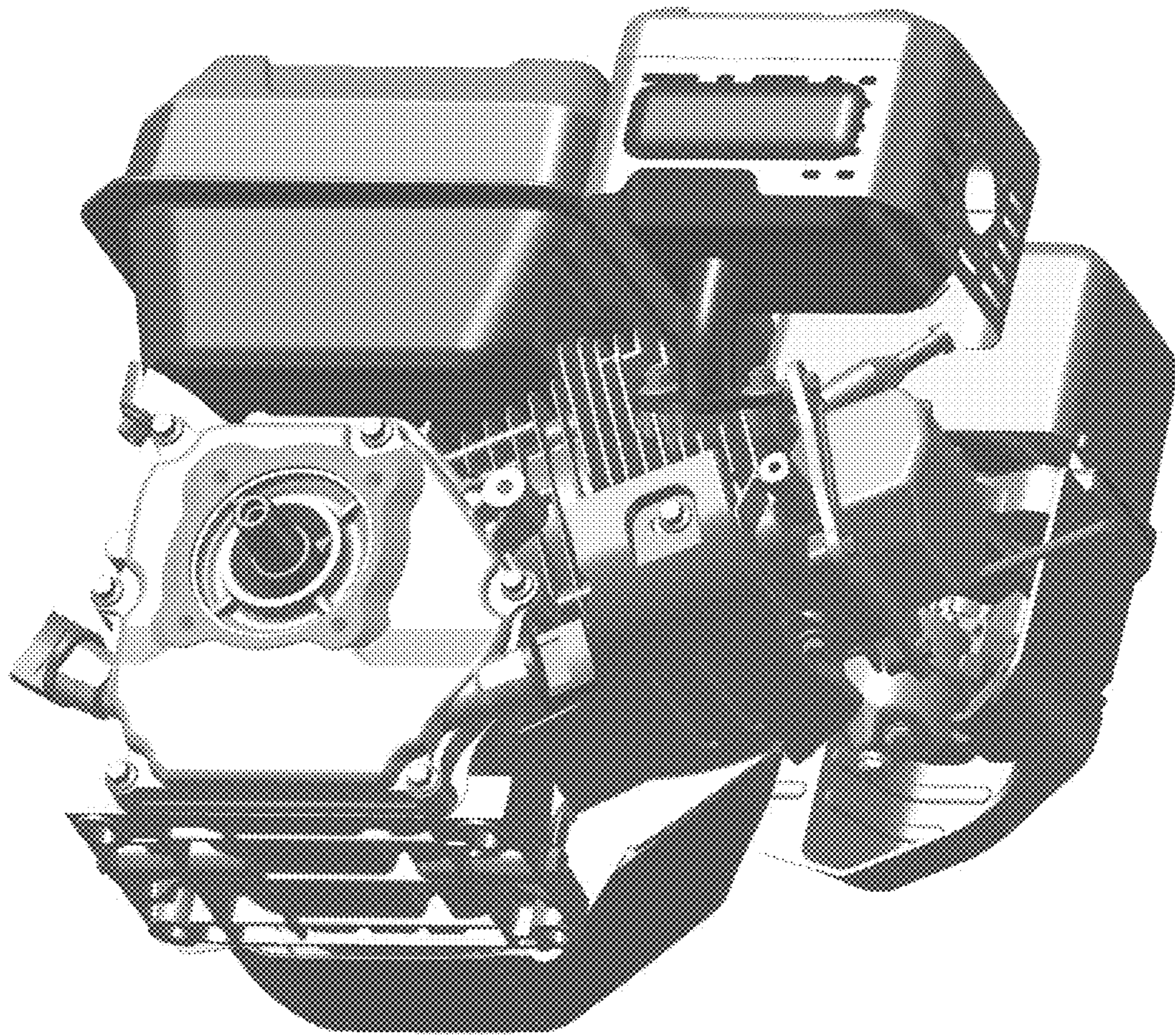


FIG. 7

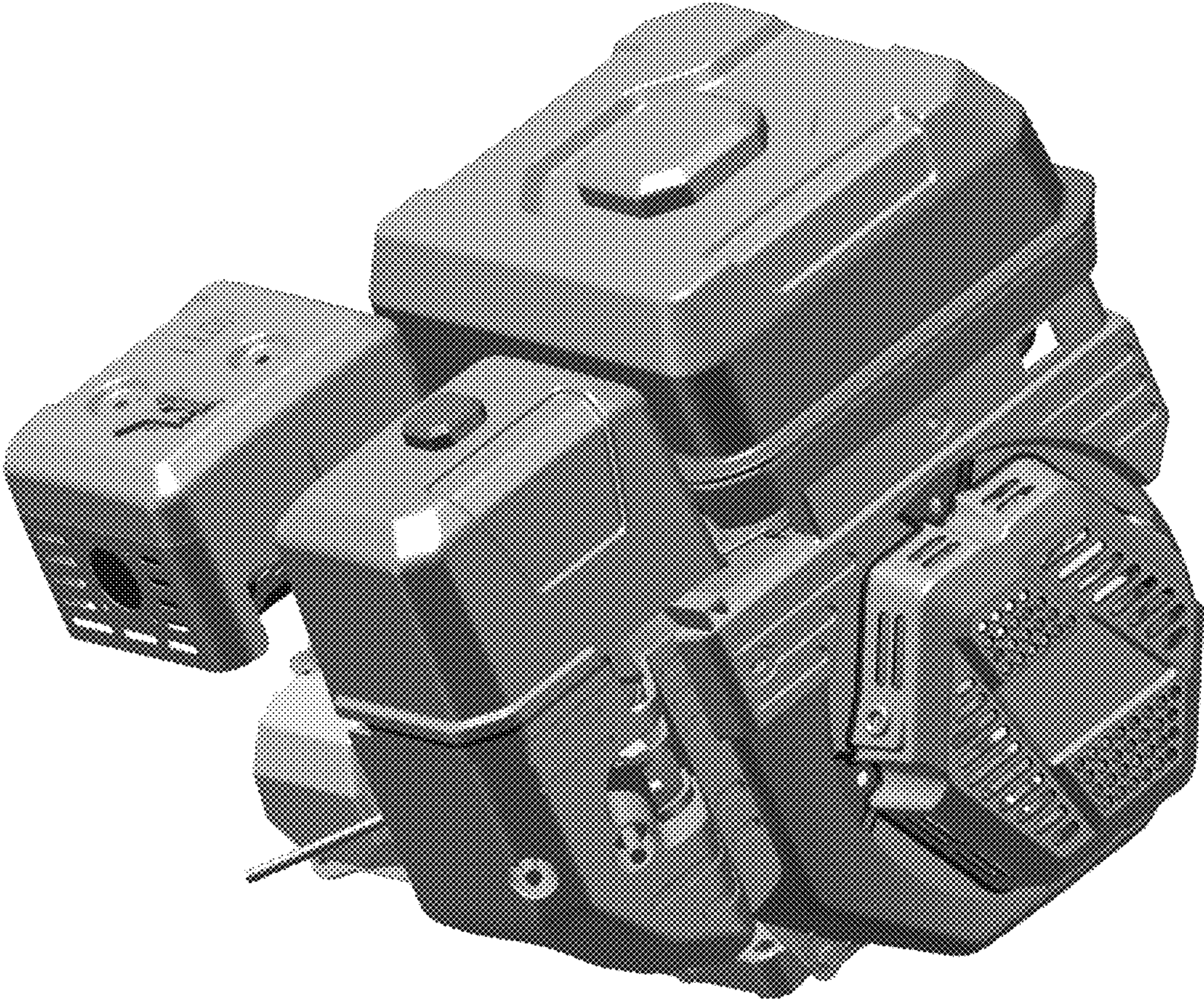


FIG. 8

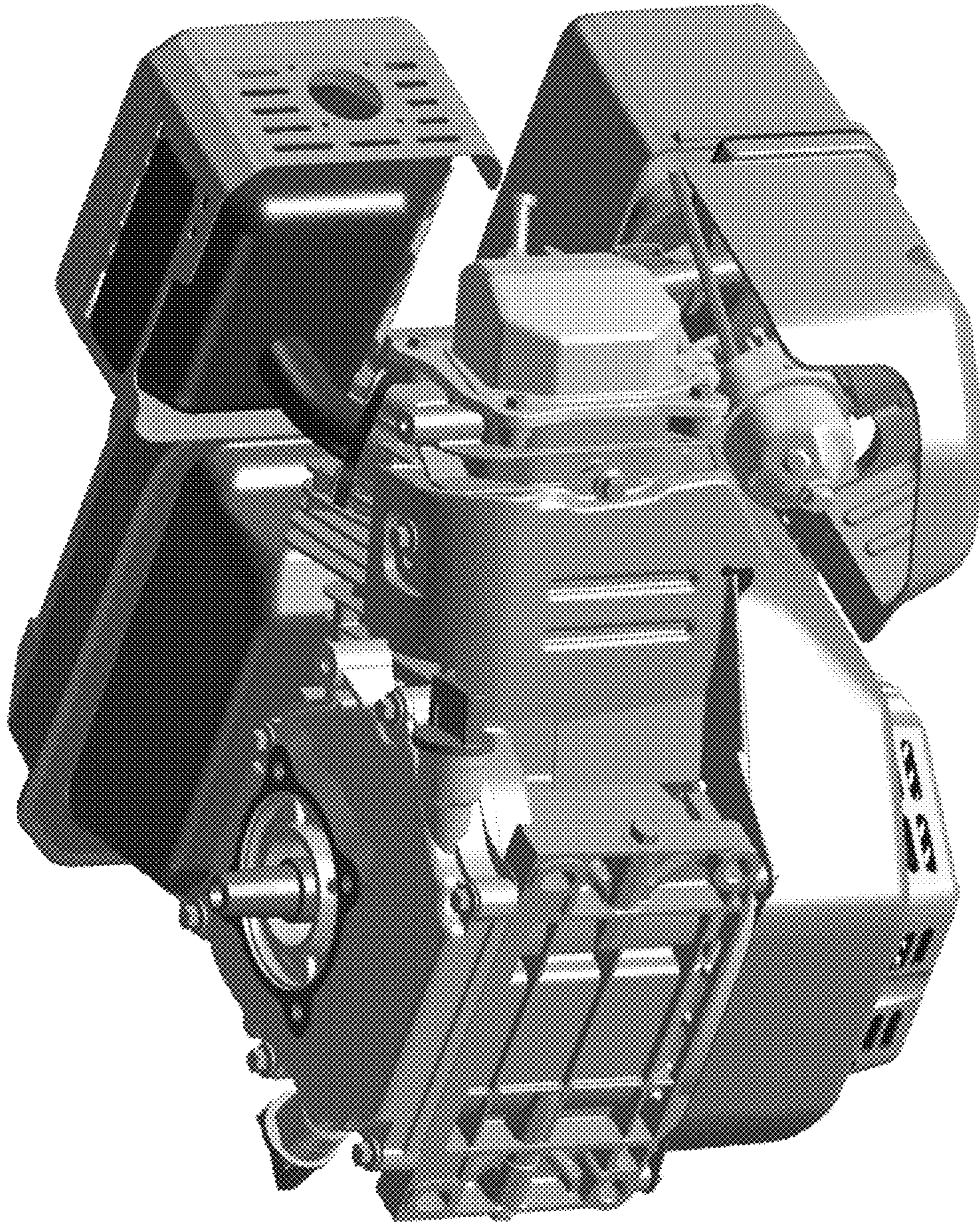


FIG. 9

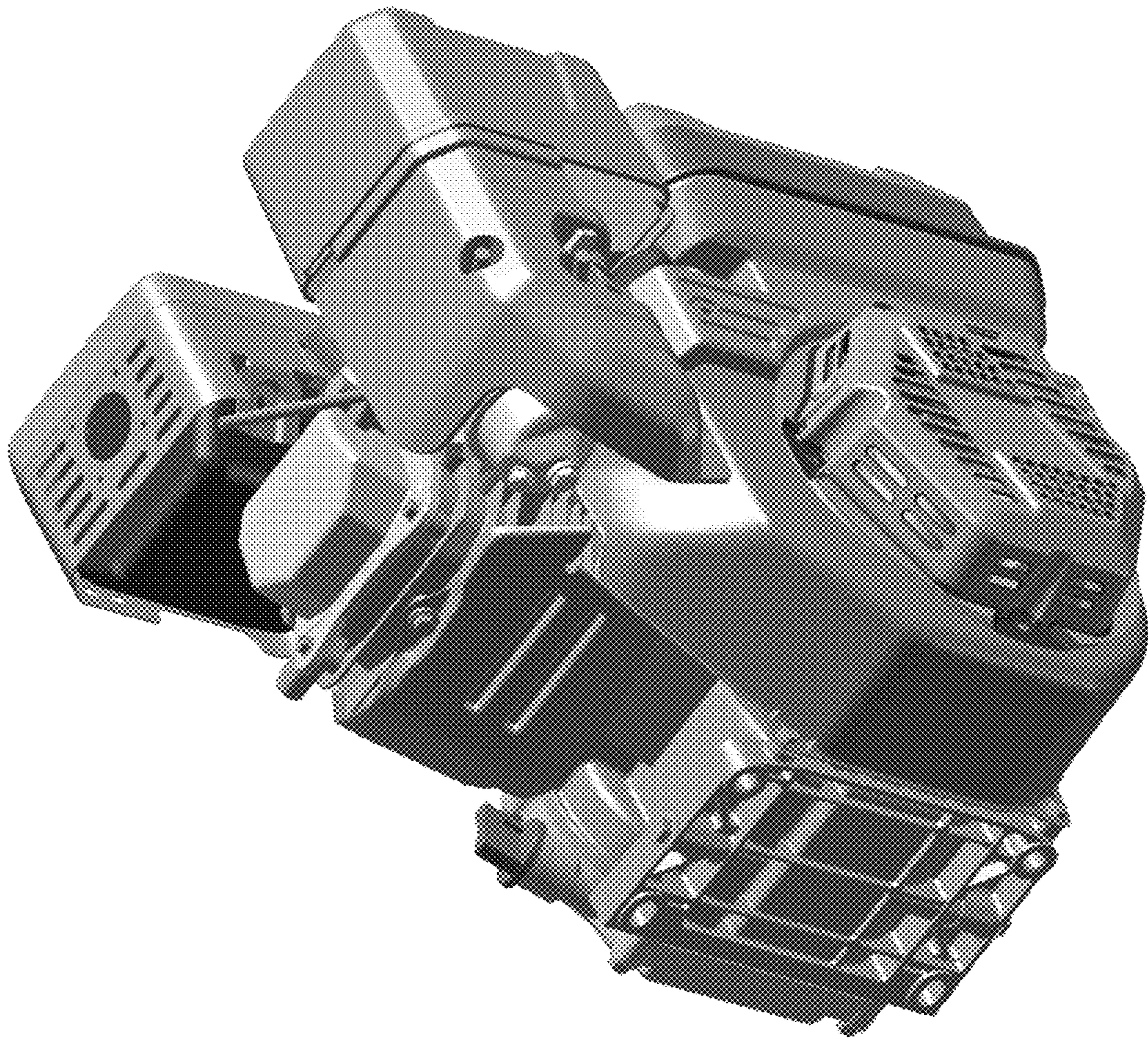


FIG. 10

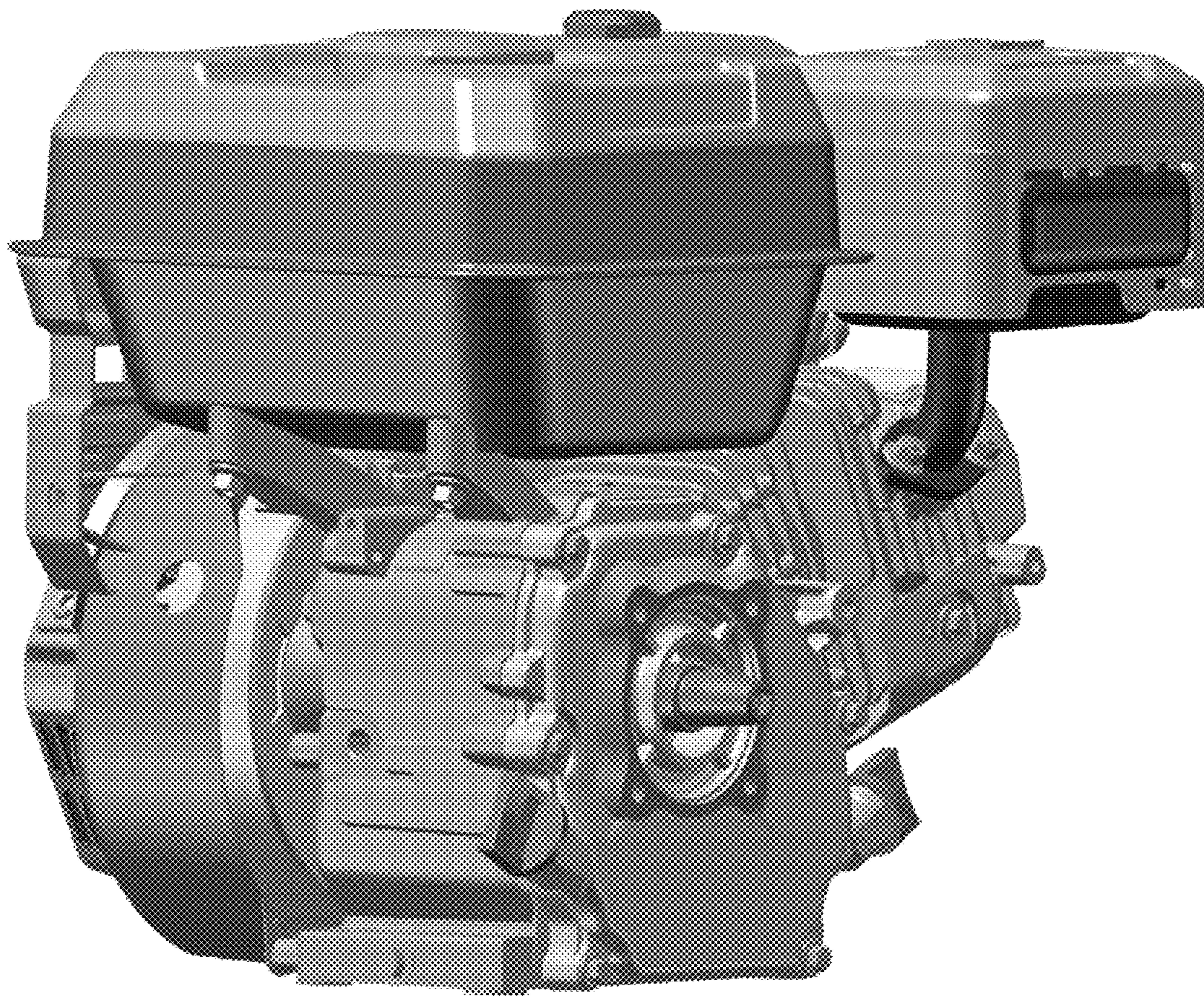


FIG. 11

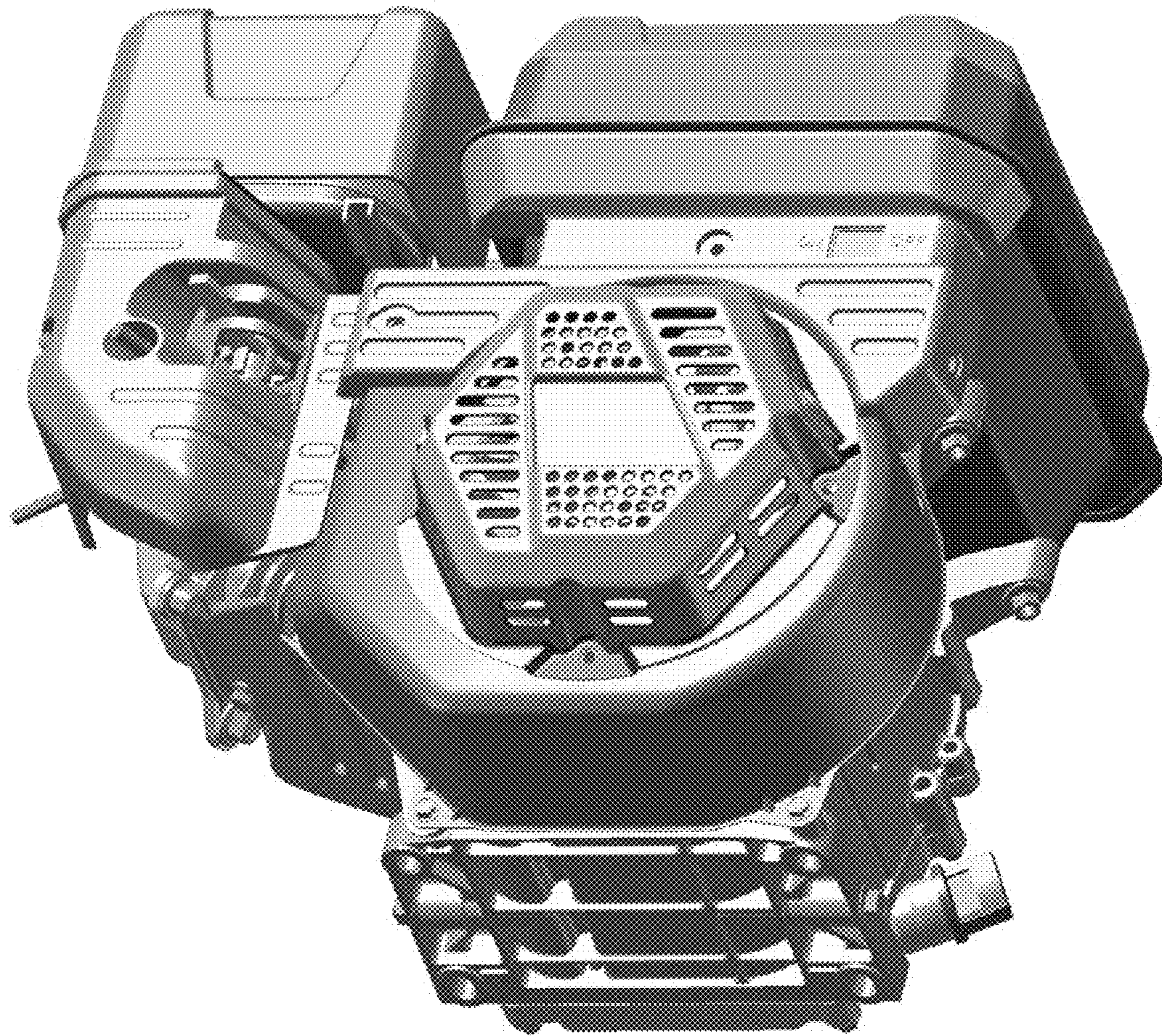


FIG. 12