



US00D771142S

(12) **United States Design Patent** (10) **Patent No.:** **US D771,142 S**
Langhammer et al. (45) **Date of Patent:** **** Nov. 8, 2016**

- (54) **AUDIO INPUT/OUTPUT DEVICE**
- (71) Applicant: **Amazon Technologies, Inc.**, Seattle, WA (US)
- (72) Inventors: **Heinz-Dominik Langhammer**, San Francisco, CA (US); **Giles David Matthew McWilliam**, San Francisco, CA (US); **Marc Rene Walliser**, San Francisco, CA (US); **Christopher Green**, San Francisco, CA (US)
- (73) Assignee: **Amazon Technologies, Inc.**, Seattle, WA (US)
- (**) Term: **15 Years**
- (21) Appl. No.: **29/537,679**
- (22) Filed: **Aug. 27, 2015**
- (51) **LOC (10) Cl.** **14-03**
- (52) **U.S. Cl.**
USPC **D14/496; D14/203.6**
- (58) **Field of Classification Search**
USPC D14/496, 401, 435, 474, 483, 217, 137, D14/138, 160, 168, 356, 203.1-203.8, 507; 345/156, 169, 173-179, 905; 715/727-729, 864; 710/1, 5, 8; 713/1, 713/600; 455/1.1, 1.7, 73, 344-347, 93, 95, 455/3.01-3.06, 550.1, 573.1; 370/342-344; 369/1, 2, 6-12; 463/43-47; 273/148 B
CPC A63F 13/00; A63F 11/00; A63F 2300/8047; G06F 17/00
See application file for complete search history.

(56) **References Cited**

U.S. PATENT DOCUMENTS

- D514,122 S * 1/2006 Rodarte D14/203.6
- D554,614 S * 11/2007 Lin D14/509
- D582,394 S * 12/2008 Hong D14/216
- D609,718 S * 2/2010 Chang D14/203.3
- D613,270 S * 4/2010 Cooper D13/123

- D626,147 S * 10/2010 Goddard D14/496
- 8,090,418 B2 * 1/2012 Thiel H04B 1/385
455/575.2
- D662,949 S * 7/2012 Otero D14/203.1
- 8,315,046 B2 * 11/2012 Cooper H04R 1/1041
248/639
- D744,541 S * 12/2015 Langhammer D14/203.1

(Continued)

OTHER PUBLICATIONS

The Canadian Office Action mailed May 10, 2016 for Canadian Design Application No. 166740, a counterpart foreign design application of Design U.S. Appl. No. 29/537,679, 2 pages.

(Continued)

Primary Examiner — Prabhakar Deshmukh

(74) *Attorney, Agent, or Firm* — Lee & Hayes, PLLC

(57) **CLAIM**

The ornamental design for an audio input/output device, as shown and described.

DESCRIPTION

FIG. 1 is a first perspective view of an audio input/output device, taken from the front.

FIG. 2 is a second perspective view of the audio input/output device of FIG. 1, taken from the bottom-back.

FIG. 3 is a top view of the audio input/output device of FIG. 1.

FIG. 4 is a bottom view of the audio input/output device of FIG. 1.

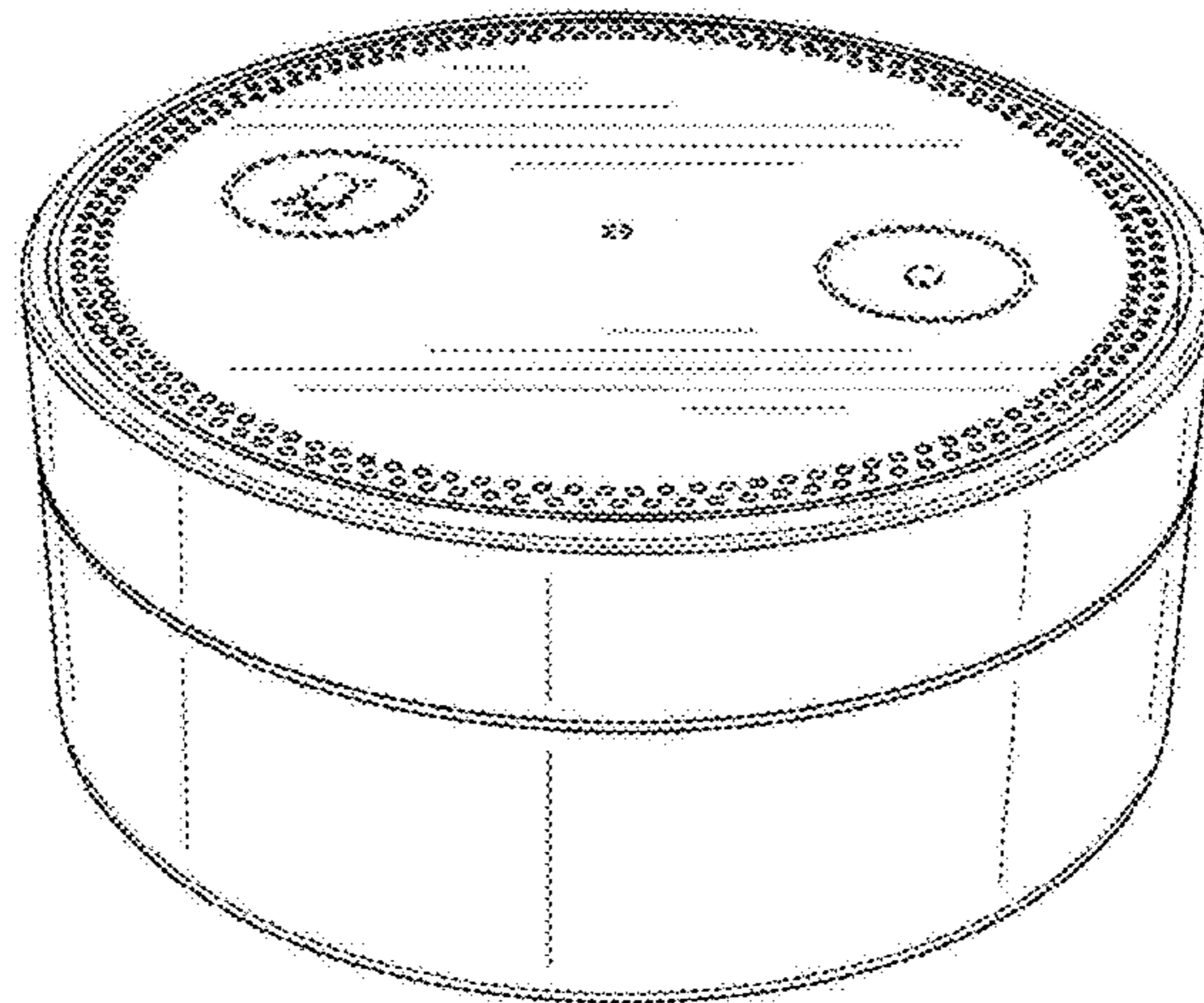
FIG. 5 is a front view of the audio input/output device of FIG. 1.

FIG. 6 is a back view of the audio input/output device of FIG. 1; and,

FIG. 7 is a left-side view of the audio input/output device of FIG. 1, the right-side view being a mirror image of the left-side view.

The broken lines in the drawings are for illustrative purposes only and form no part of the claimed design.

1 Claim, 6 Drawing Sheets



US D771,142 S

Page 2

(56)

References Cited

U.S. PATENT DOCUMENTS

D753,625 S * 4/2016 Young D14/203.5
D756,955 S * 5/2016 Wagner D14/203.6

OTHER PUBLICATIONS

The Indian Office Action mailed May 27, 2016 for Indian design application No. 280334, a counterpart foreign design application of design U.S. Appl. No. 29/537,679, 19 pages.

* cited by examiner

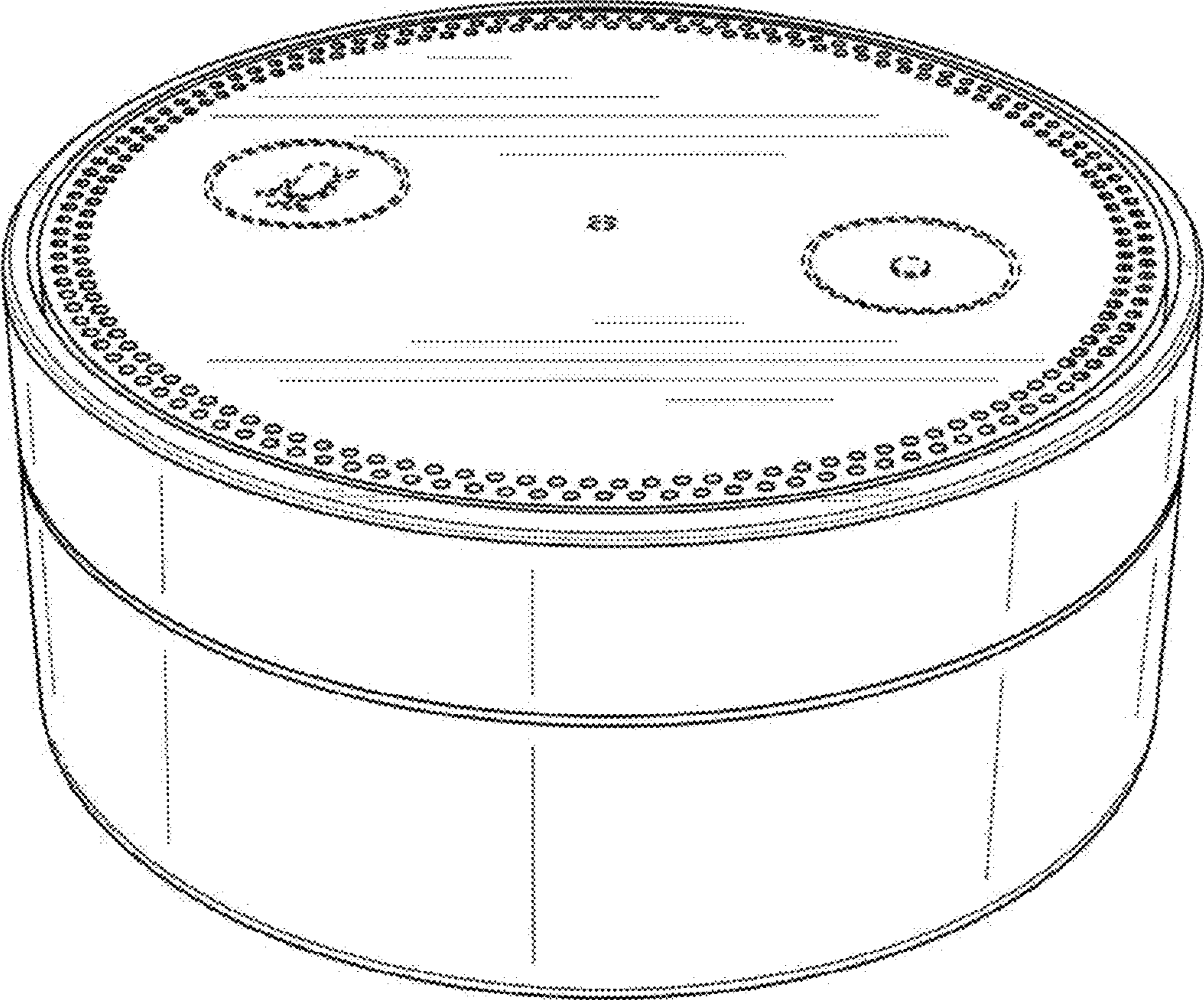


FIG. 1

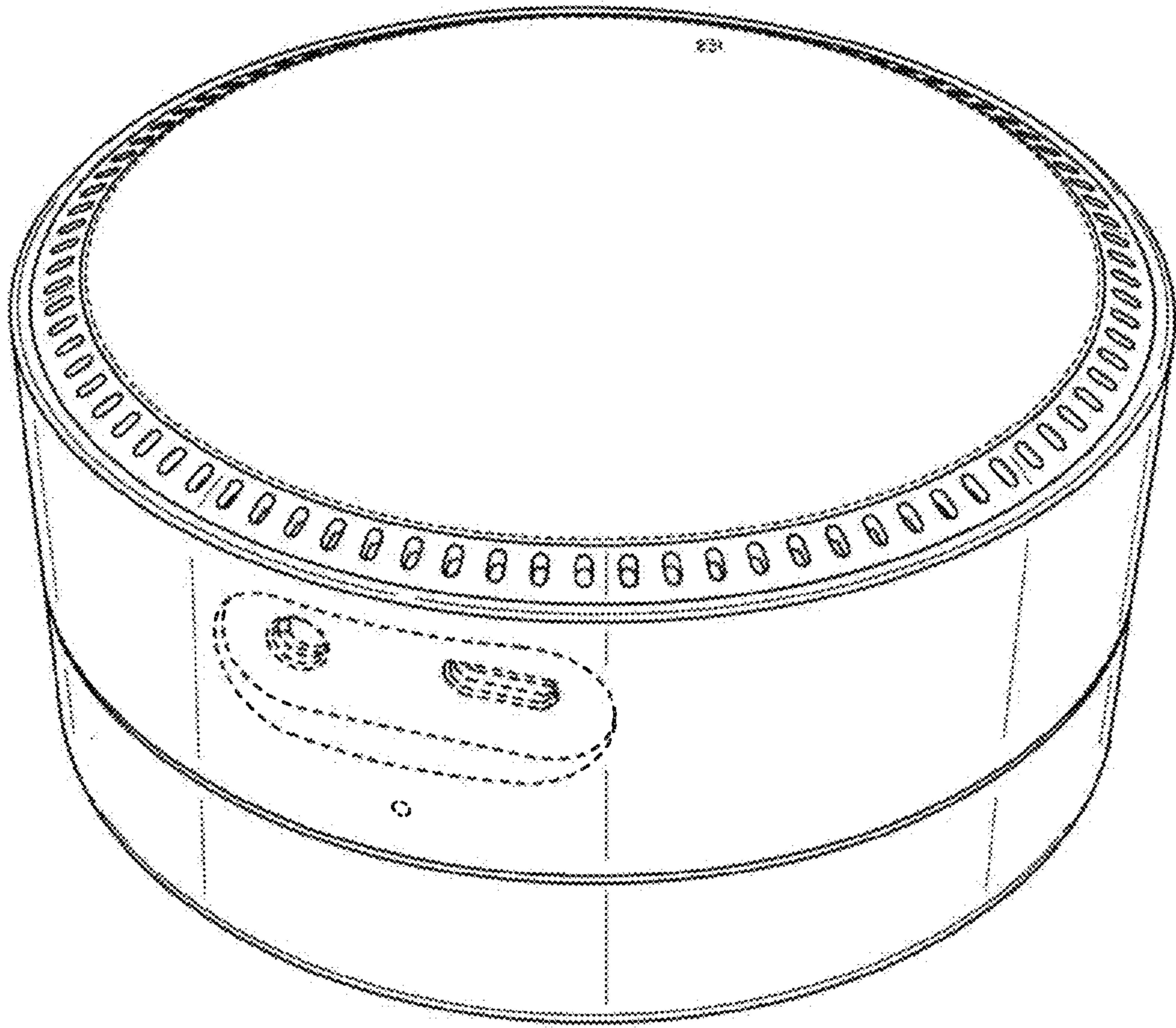


FIG. 2

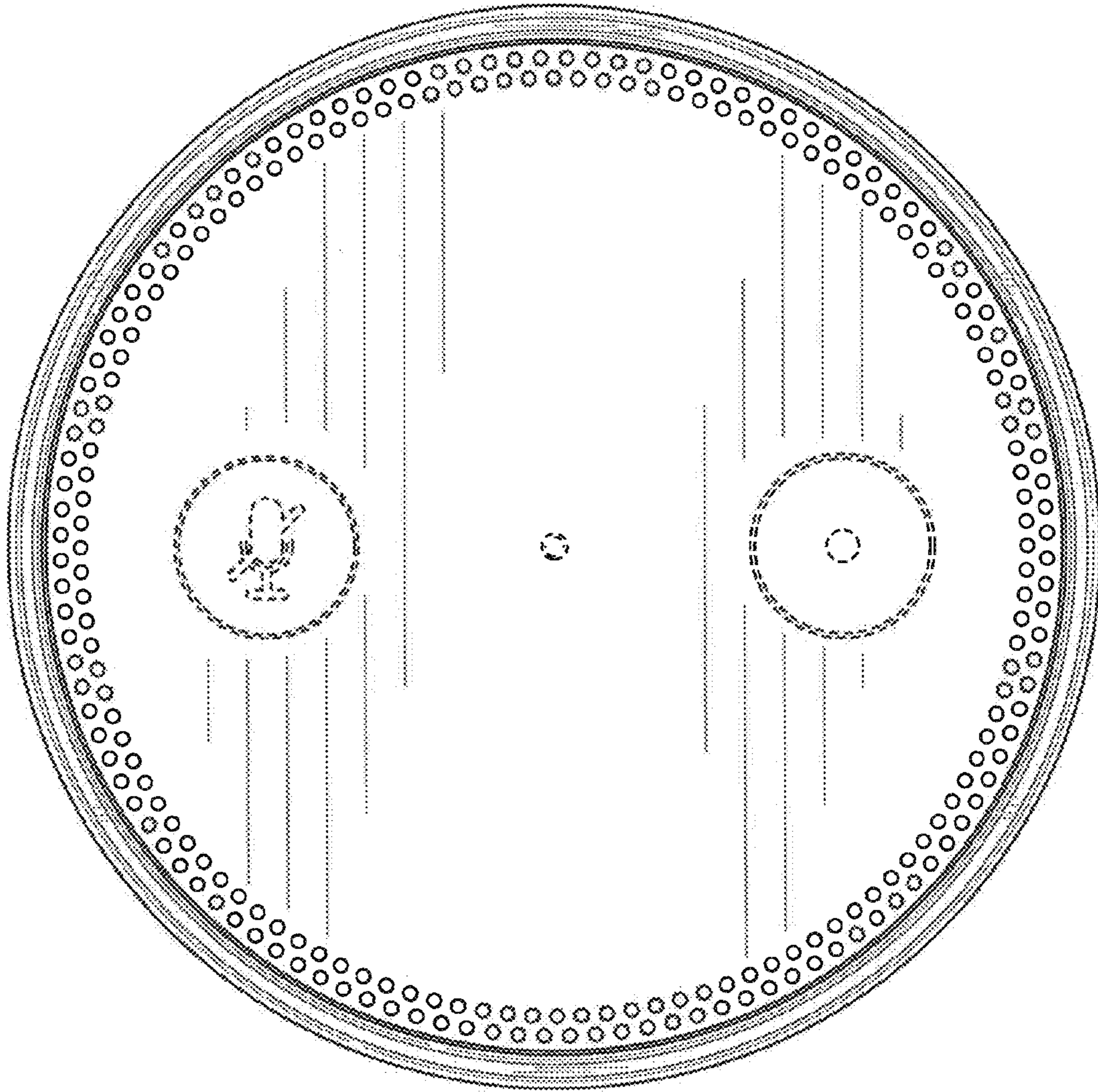


FIG. 3

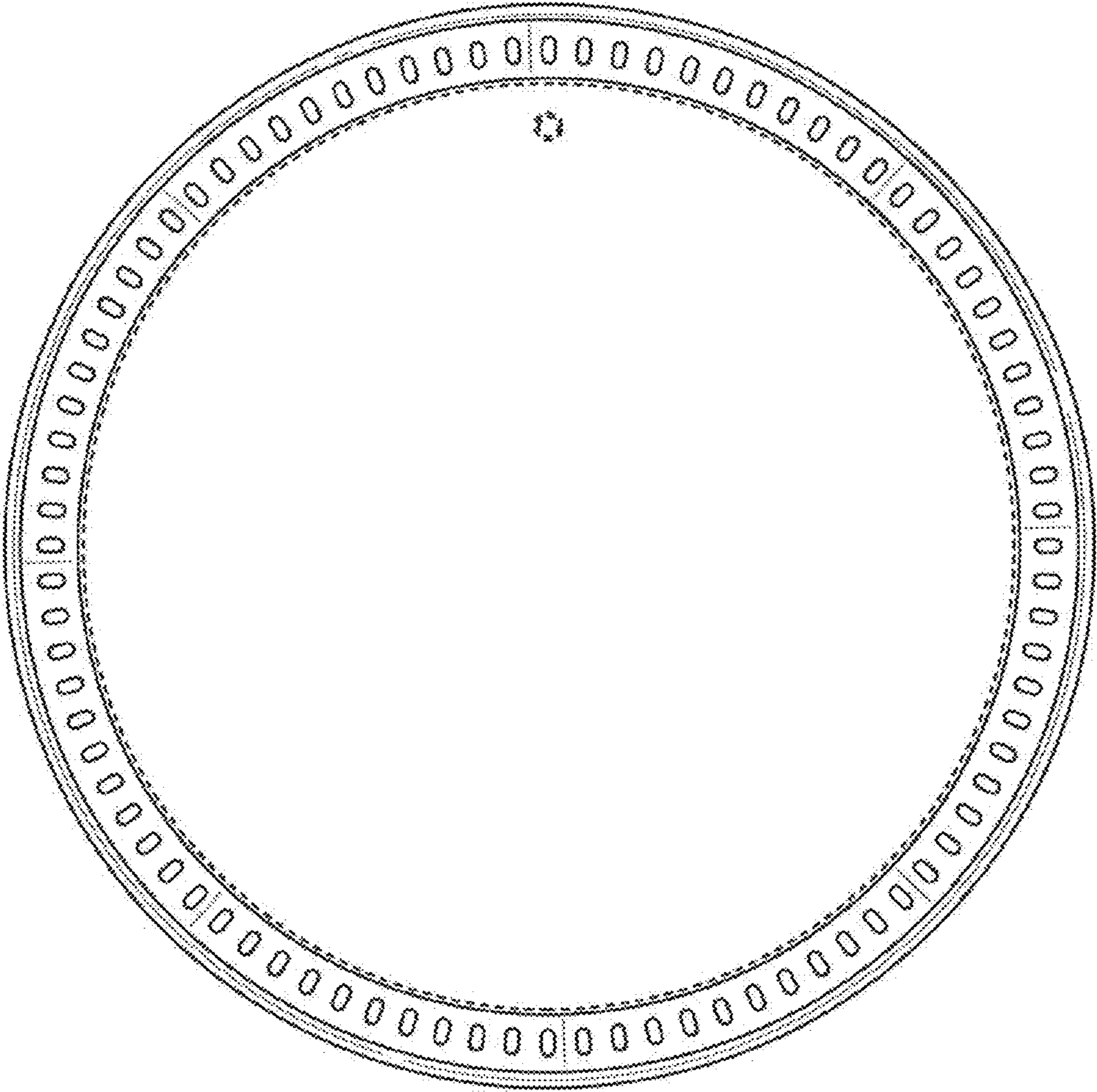


FIG. 4

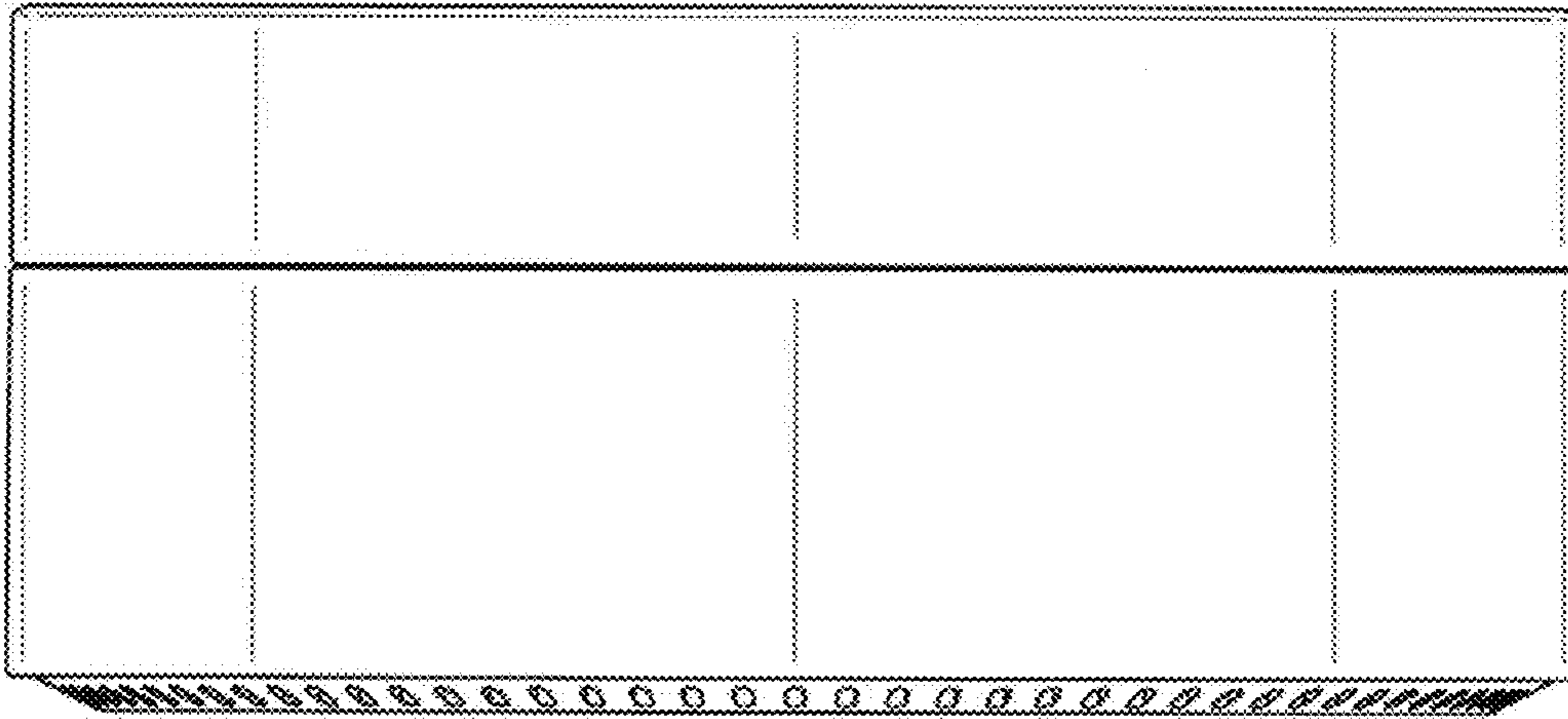


FIG. 5

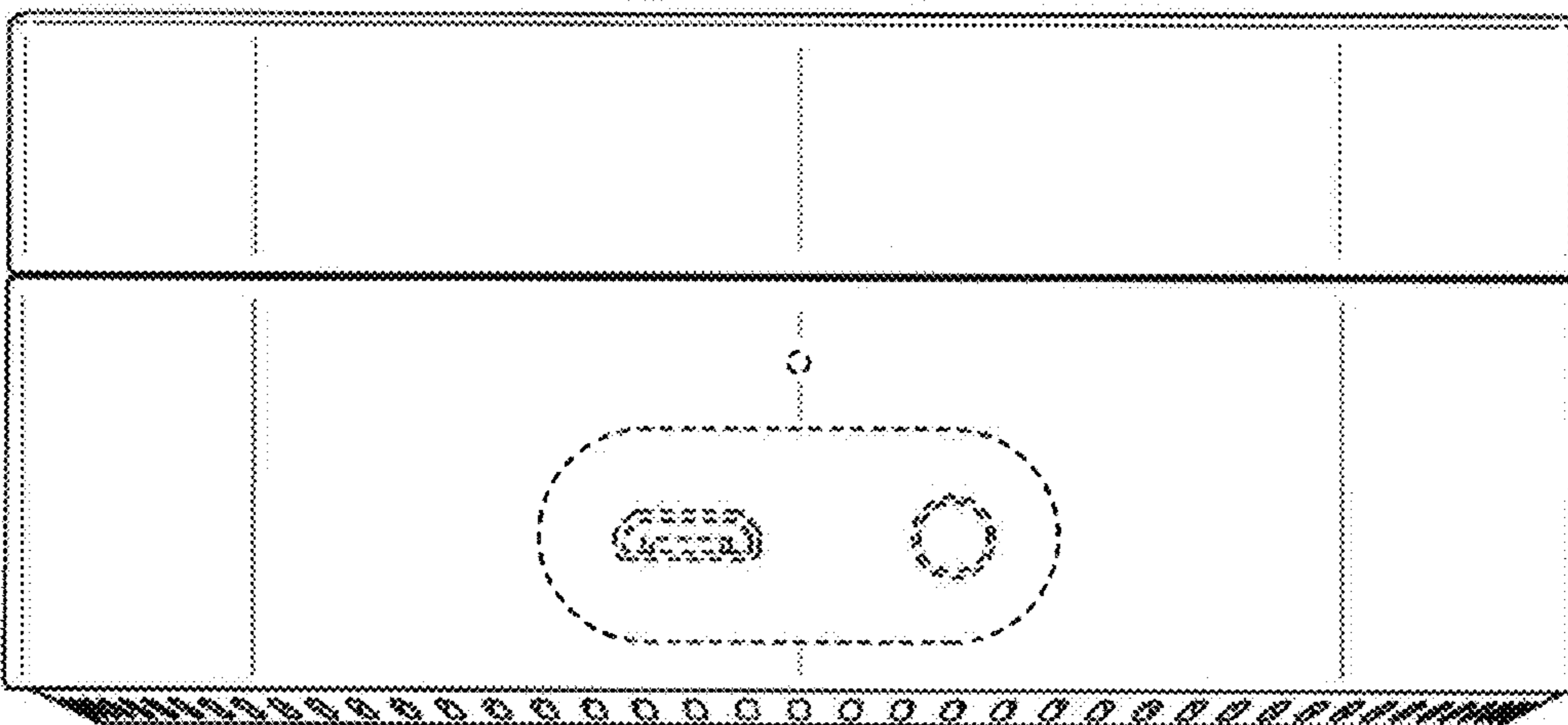


FIG. 6

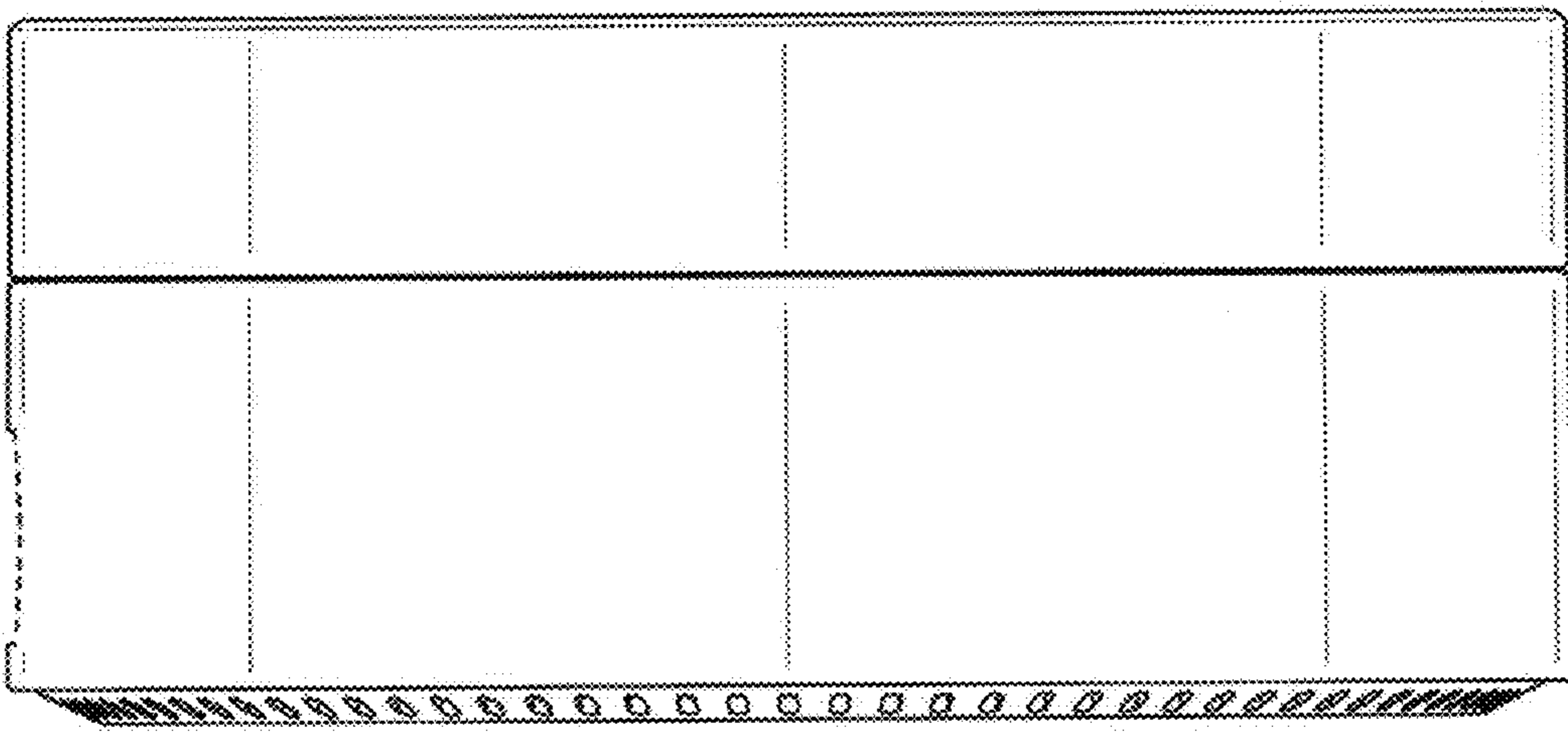


FIG. 7