



US00D771140S

(12) **United States Design Patent**
Poulheim

(10) **Patent No.:** **US D771,140 S**
(45) **Date of Patent:** **** Nov. 8, 2016**

(54) **BASE FOR ELECTRONIC DEVICE**

(71) Applicant: **BANG & OLUFSEN A/S**, Struer (DK)

(72) Inventor: **André Poulheim**, Cologne (DE)

(73) Assignee: **BANG & OLUFSEN A/S**, Struer (DK)

(**) Term: **15 Years**

(21) Appl. No.: **29/527,250**

(22) Filed: **May 18, 2015**

(30) **Foreign Application Priority Data**

Nov. 17, 2014 (EM) 002579417-0001
Nov. 17, 2014 (EM) 002579417-0002
Nov. 17, 2014 (EM) 002579417-0005

(51) **LOC (10) Cl.** **14-03**

(52) **U.S. Cl.**
USPC **D14/496; D14/203.3**

(58) **Field of Classification Search**
USPC D14/496, 401, 435, 474, 483, 217, 137,
D14/138, 160, 168, 356, 203.1–203.8, 507;
345/156, 169, 173–179, 905;
715/727–729, 864; 710/1, 5, 8; 713/1,
713/600; 455/1.1, 1.7, 73, 344–347, 93, 95,
455/3.01–3.06, 550.1, 573.1; 370/342–344;
369/1, 2, 6–12; 463/43–47; 273/148 B
CPC H04N 5/00; H04B 10/00; H04J 14/00;
G10H 7/00; G11B 7/00
See application file for complete search history.

(56) **References Cited**

U.S. PATENT DOCUMENTS

D222,357 S * 10/1971 Locher D14/496
6,711,014 B2 * 3/2004 Anzai G06F 1/18
165/80.3

6,907,013 B1 * 6/2005 Ruziak H04B 1/202
370/277
D514,576 S * 2/2006 Sung D14/434
7,116,211 B1 * 10/2006 Parker G06Q 10/02
340/4.6
D539,781 S * 4/2007 Yang D14/203.7
D638,029 S * 5/2011 Uesugi D14/168
D651,618 S * 1/2012 Barley D14/496
D718,750 S * 12/2014 Young D14/203.7
D727,329 S * 4/2015 Johnson D14/434
D736,211 S * 8/2015 Kirkpatrick D14/434
9,110,637 B2 * 8/2015 Wu G06F 1/162
D740,326 S * 10/2015 Jung D14/496

* cited by examiner

Primary Examiner — Prabhakar Deshmukh

(74) *Attorney, Agent, or Firm* — Dykema Gossett PLLC

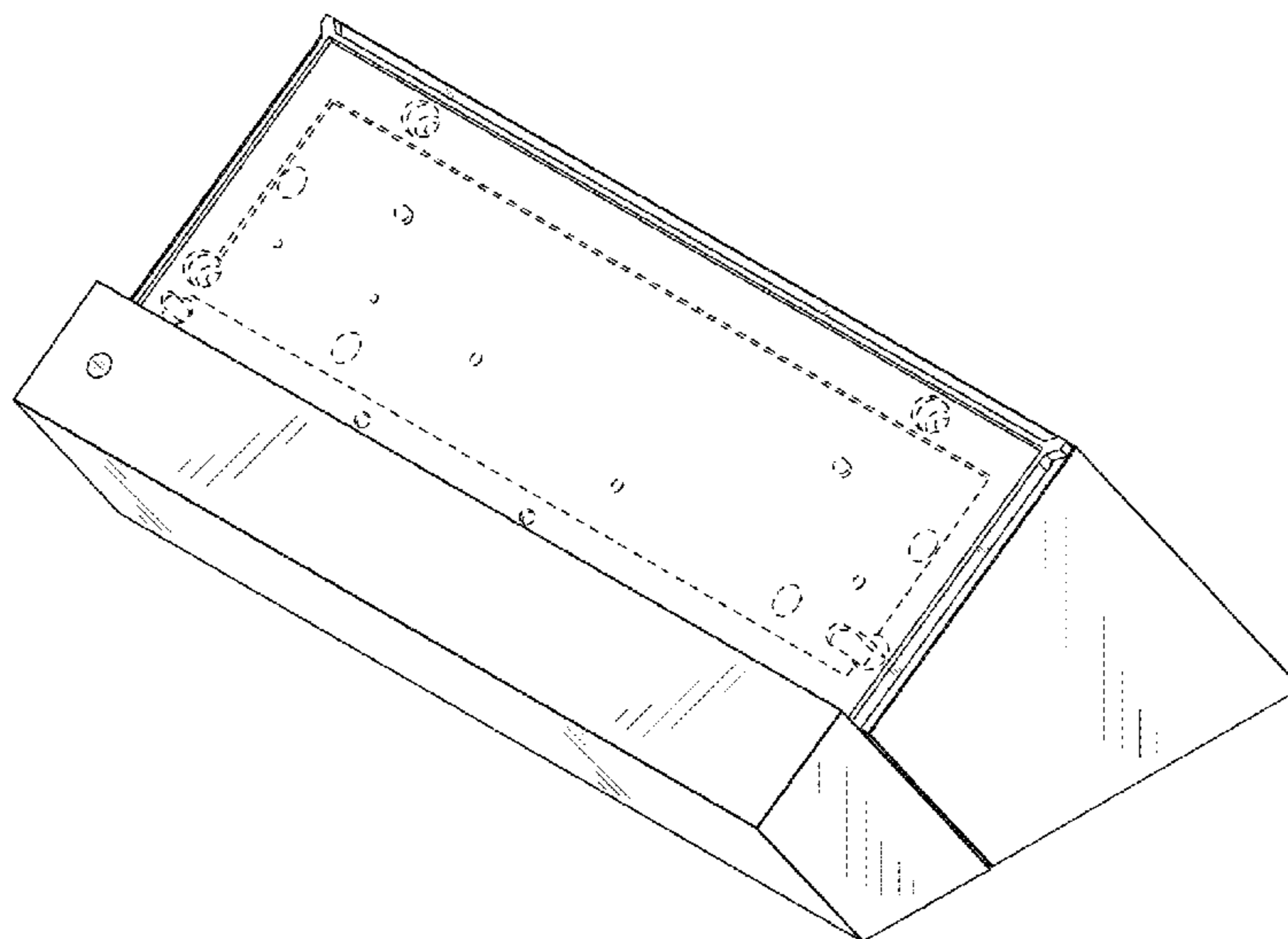
(57) **CLAIM**

The ornamental design for a base for electronic device, as shown and described.

DESCRIPTION

FIG. 1 is a front, side, and top perspective view of a base for electronic device showing my design;
FIG. 2 is a front elevation view of FIG. 1;
FIG. 3 is a rear elevation view of FIG. 1;
FIG. 4 is a left side elevation view of FIG. 1;
FIG. 5 is a right side elevation view of FIG. 1;
FIG. 6 is a top plan view of FIG. 1;
FIG. 7 is a bottom plan view of FIG. 1; and,
FIG. 8 is a rear, side, and top perspective view of FIG. 1.
The broken lines illustrate unclaimed portions and form no part of the claimed design.

1 Claim, 8 Drawing Sheets



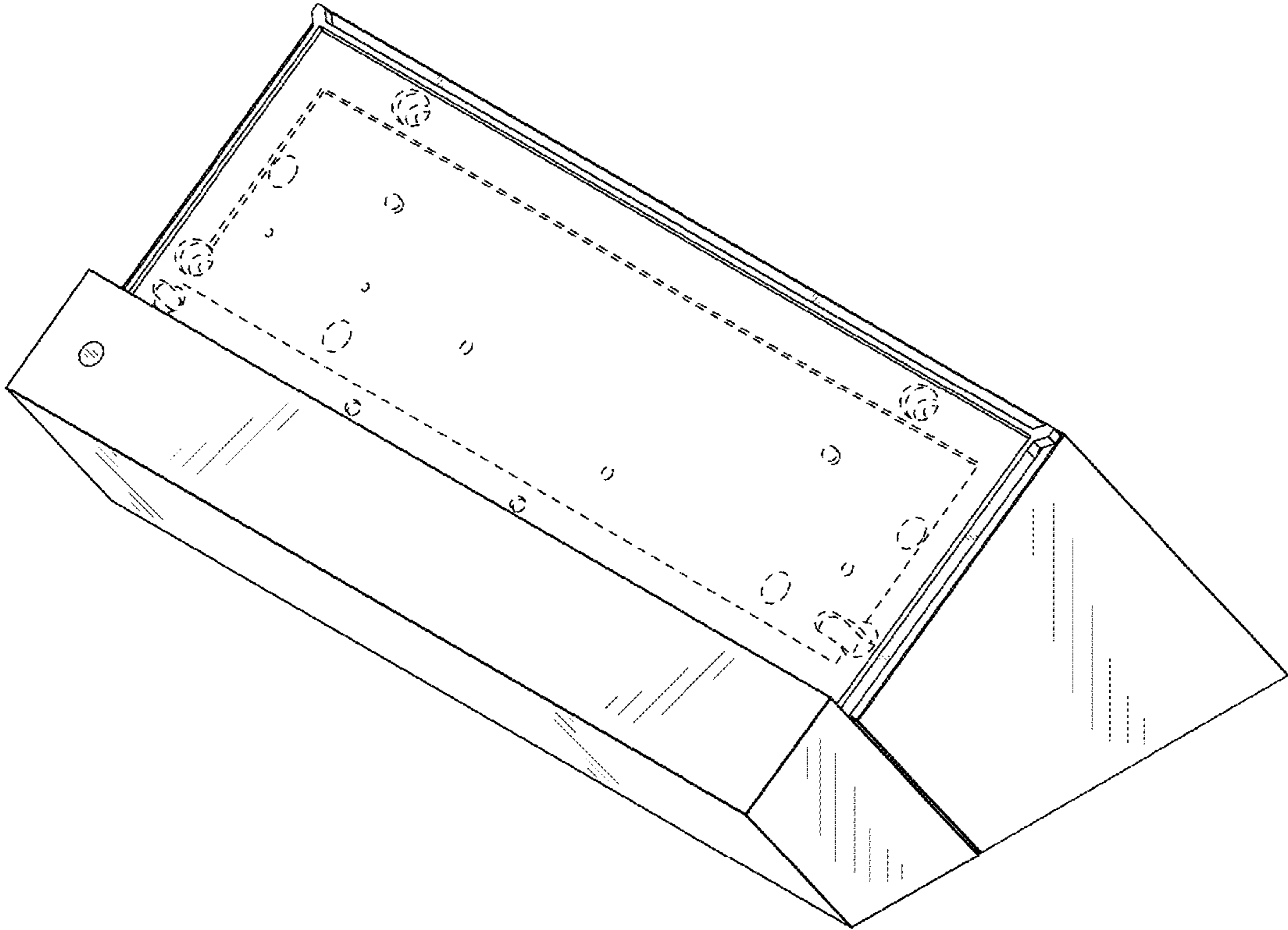


FIG. 1

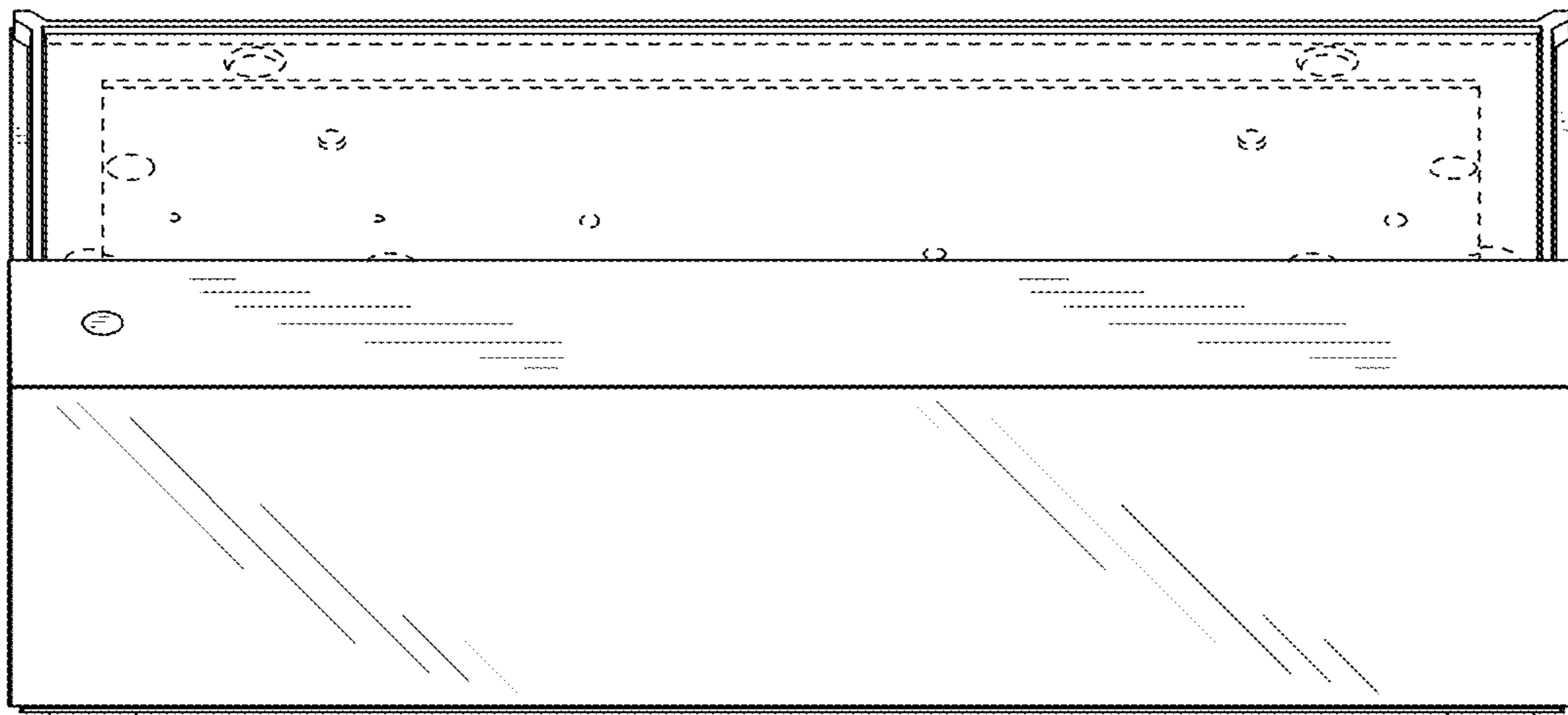


FIG. 2

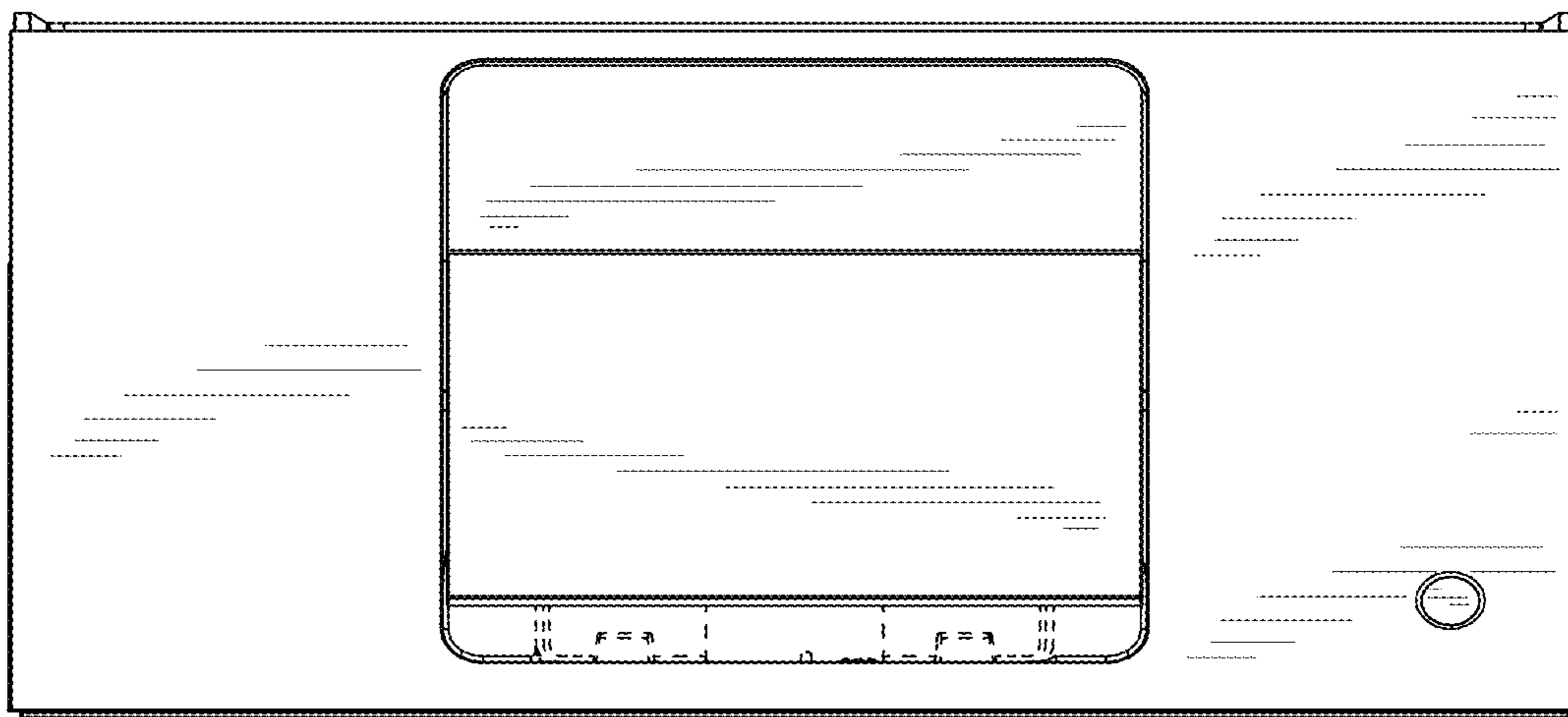


FIG. 3

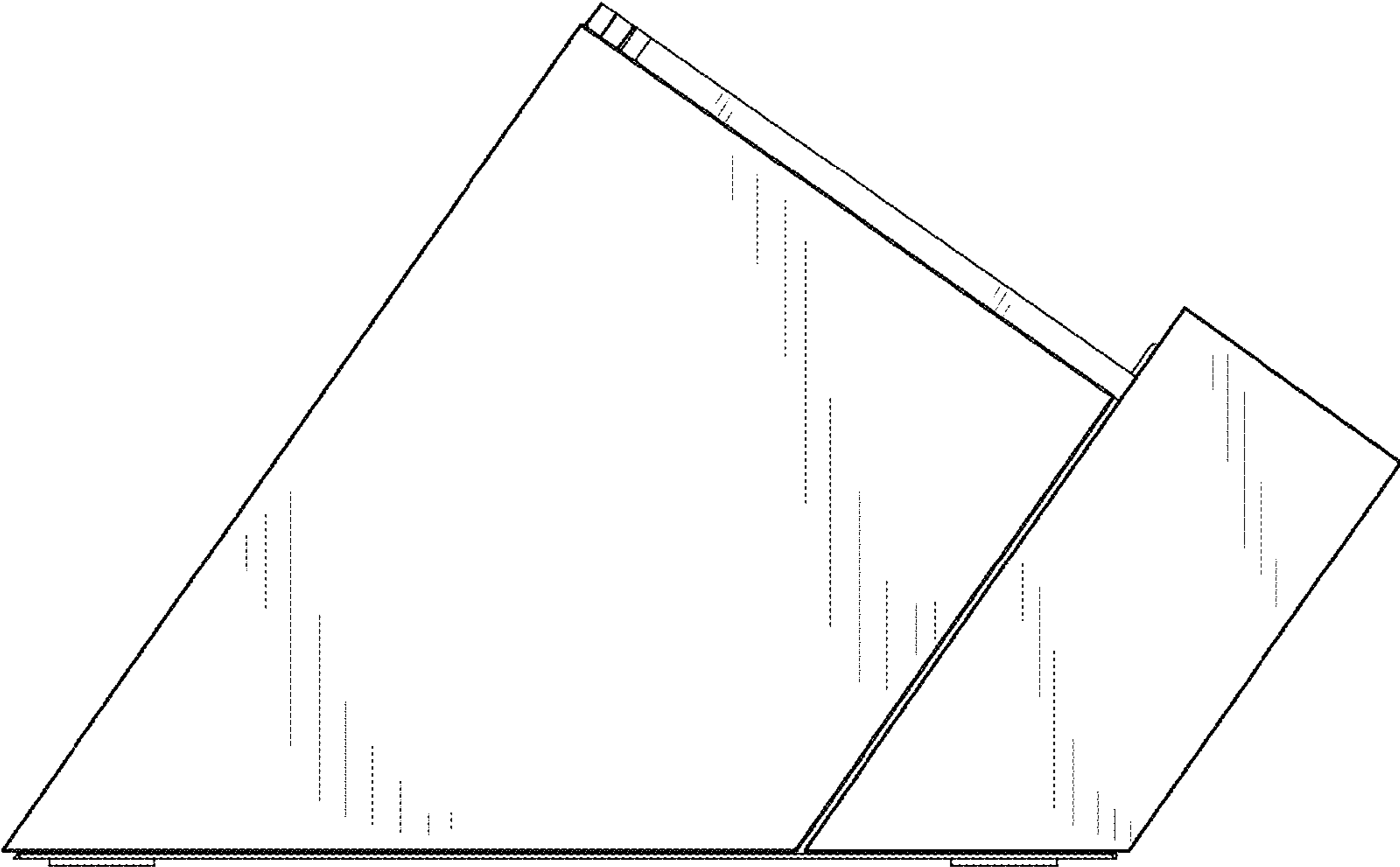


FIG. 4

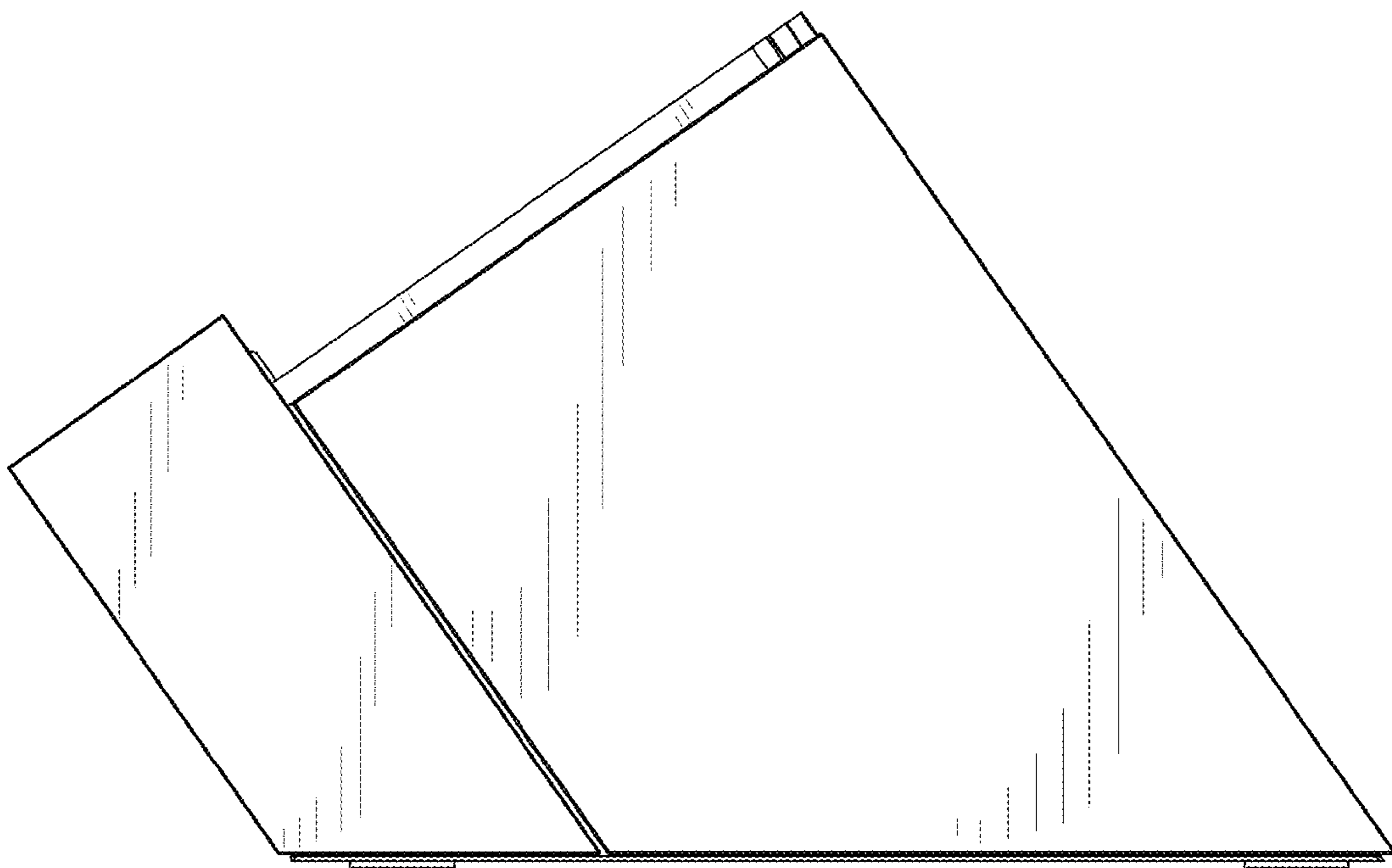


FIG. 5

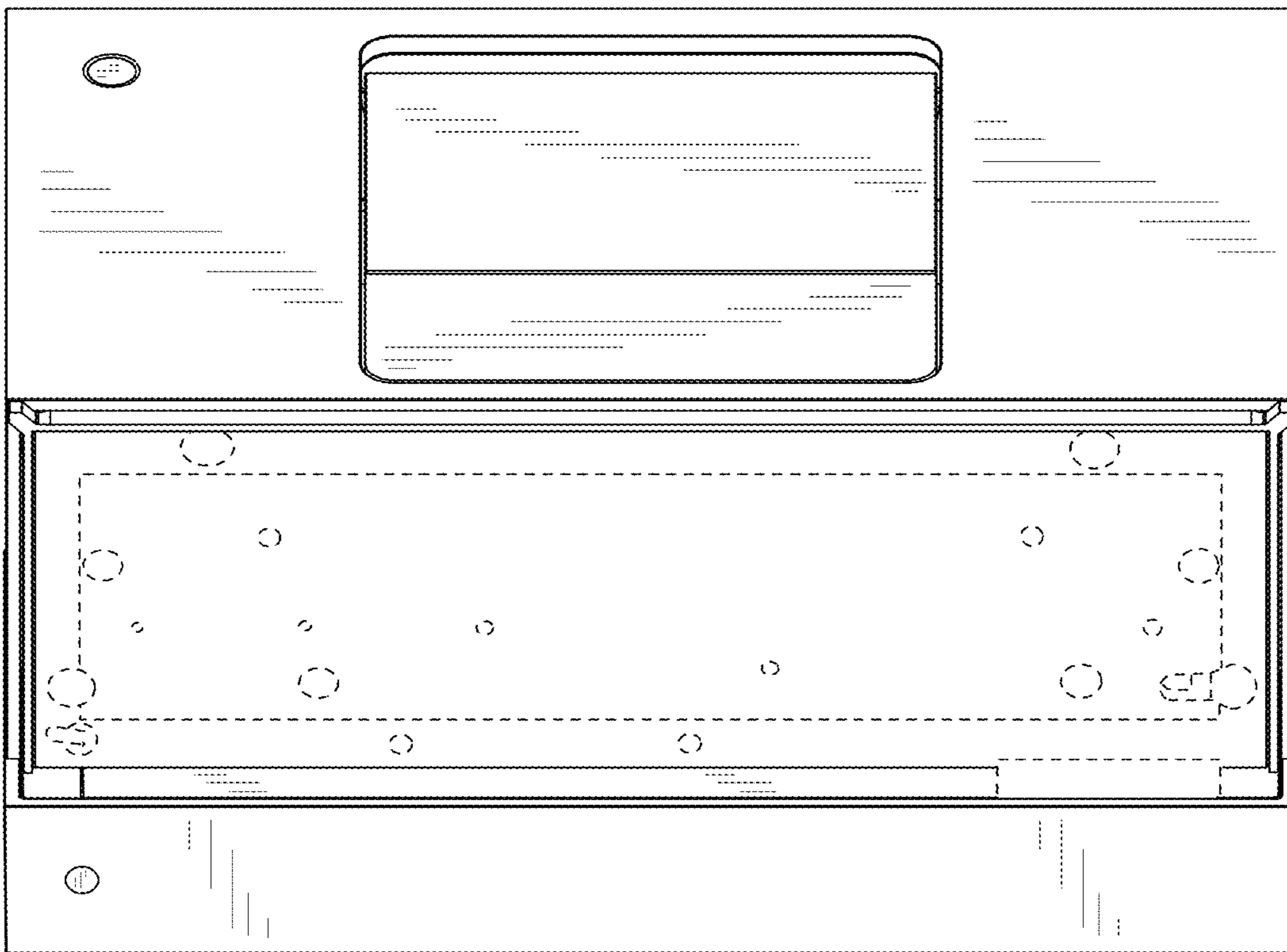


FIG. 6

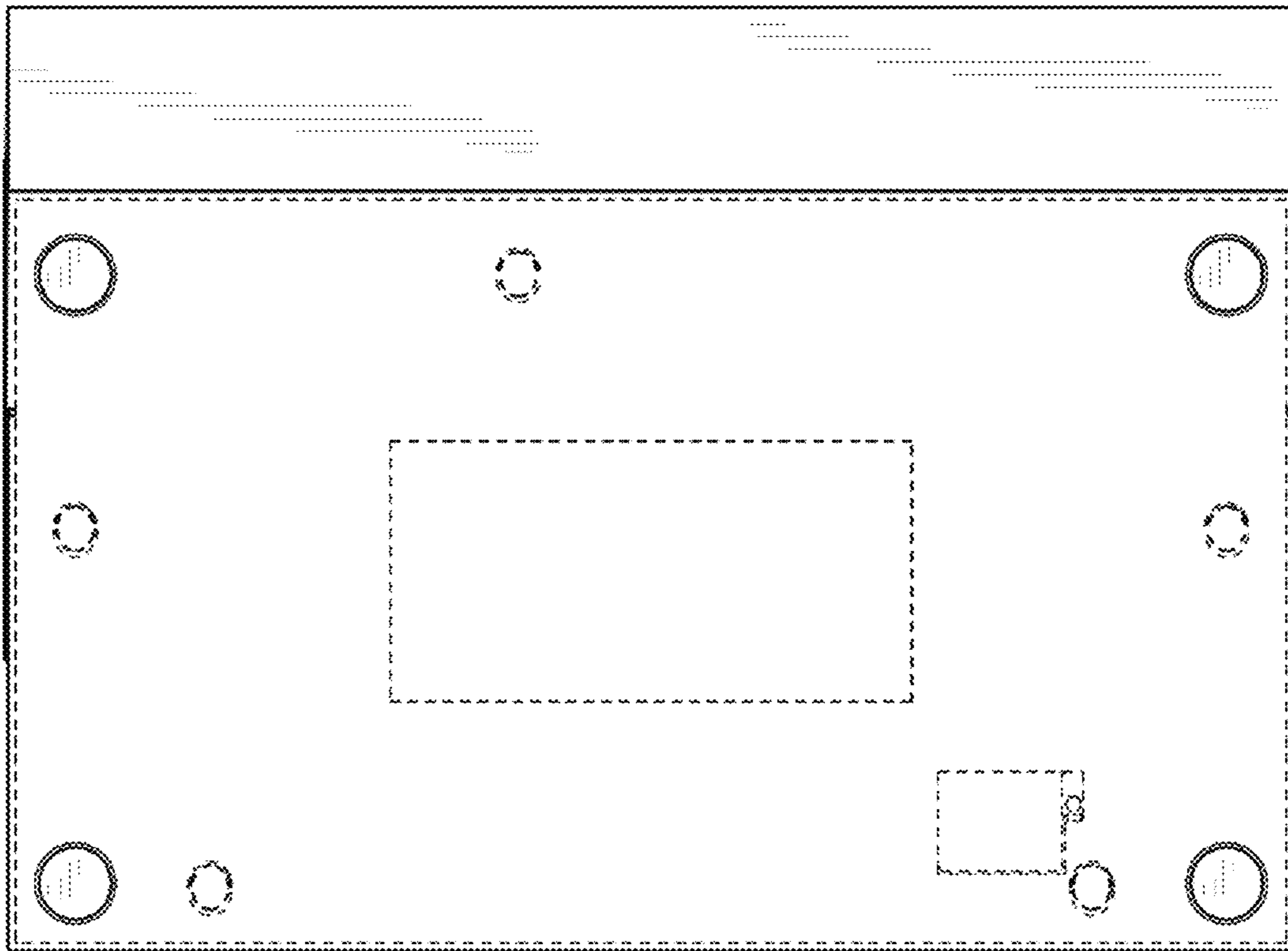


FIG. 7

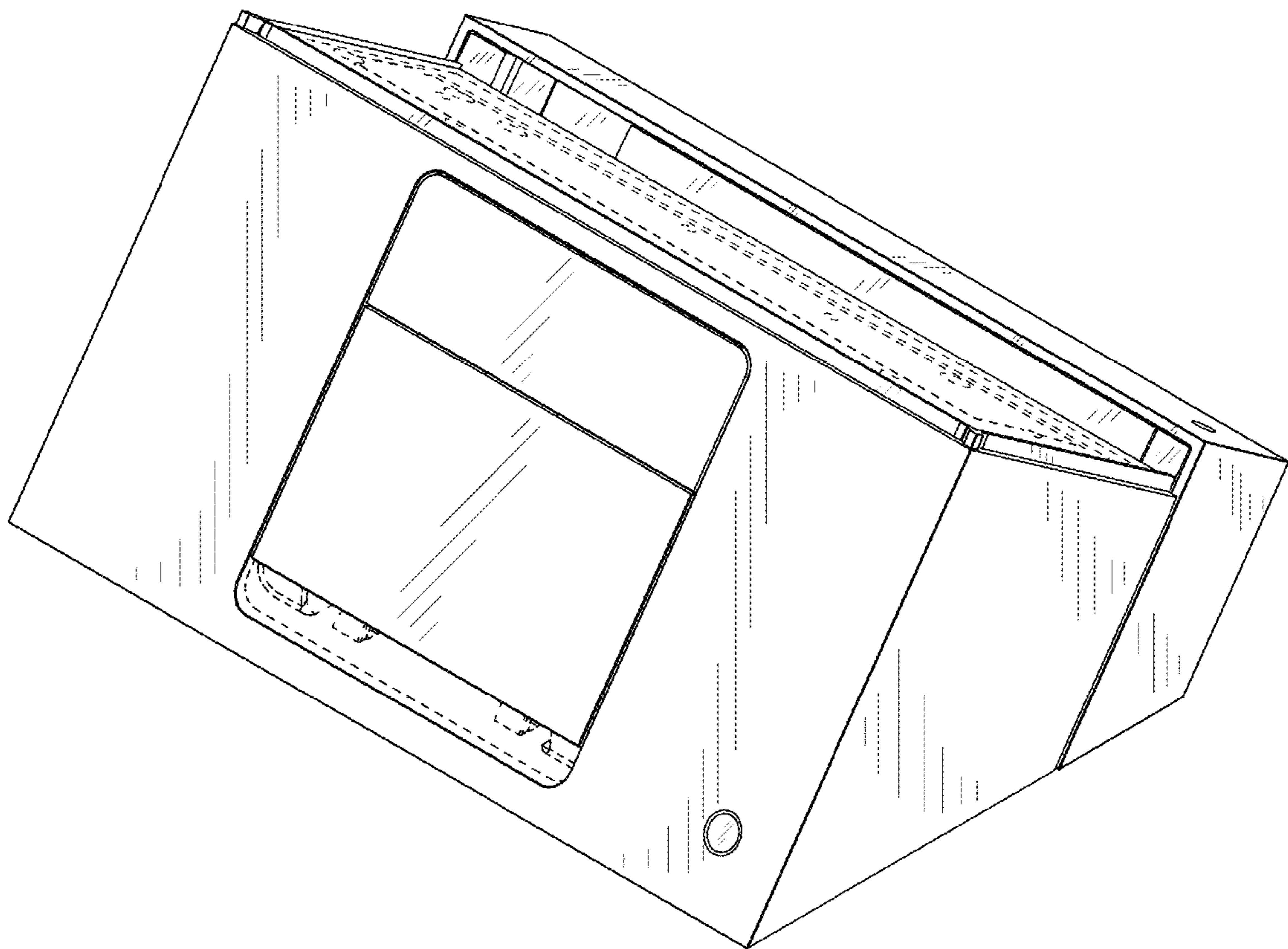


FIG. 8