



US00D771130S

(12) **United States Design Patent**
Cho et al.

(10) **Patent No.:** **US D771,130 S**

(45) **Date of Patent:** **** Nov. 8, 2016**

(54) **DISPLAY SCREEN OR PORTION THEREOF WITH ANIMATED GRAPHICAL USER INTERFACE**

D687,851 S * 8/2013 Sloo D14/487
D700,207 S * 2/2014 Pearson D14/488
D715,313 S * 10/2014 Hontz, Jr. D14/485
D719,585 S * 12/2014 Chaudhri D14/489

(Continued)

(71) Applicant: **Samsung Electronics Co., Ltd.**,
Suwon-si (KR)

FOREIGN PATENT DOCUMENTS

(72) Inventors: **Hoon Cho**, Seoul (KR); **Wujong Kwon**, Seoul (KR); **Soojung Kim**, Seoul (KR); **Namsoo Lee**, Seoul (KR); **Hyangsook Jo**, Seoul (KR)

CN 303059421 12/2014
KR 3020140003415 1/2014

OTHER PUBLICATIONS

(73) Assignee: **SAMSUNG ELECTRONICS CO., LTD.** (KR)

D:Donut, Published on Aug. 6, 2015, pp. 1-10, Retrieved from the Internet: Sep. 1, 2015, <URL:http://proletariat.tistory.com/94>.

(Continued)

(**) Term: **15 Years**

(21) Appl. No.: **29/538,286**

Primary Examiner — Ian Simmons

Assistant Examiner — Richelle G Shelton

(22) Filed: **Sep. 2, 2015**

(74) *Attorney, Agent, or Firm* — Cantor Colburn LLP

(30) **Foreign Application Priority Data**

(57) **CLAIM**

Mar. 6, 2015 (KR) 30-2015-0011438

We claim, the ornamental design for a display screen or portion thereof with animated graphical user interface, as shown and described.

(51) **LOC (10) Cl.** **14-04**

DESCRIPTION

(52) **U.S. Cl.**

USPC **D14/490**

(58) **Field of Classification Search**

USPC D14/485–495

CPC G06T 13/00; G06T 13/80; G06F 3/04845

See application file for complete search history.

FIG. 1 is a first image in a sequence for a display screen or portion thereof with animated graphical user interface, showing our new design;

FIG. 2 is a second image in a sequence thereof;

FIG. 3 is a third image in a sequence thereof;

FIG. 4 is a fourth image in a sequence thereof;

FIG. 5 is a fifth image in a sequence thereof; and,

FIG. 6 is a sixth image in a sequence thereof.

The broken lines are for environmental purposes only and form no part of the claimed design. The dot dash lines in the figures represent an unclaimed boundary line and form no part of the claimed design. The process or period in which one image transitions to another forms no part of the claimed design.

(56) **References Cited**

U.S. PATENT DOCUMENTS

D270,271 S * 8/1983 Steele D14/490

5,392,388 A * 2/1995 Gibson G06F 3/04845

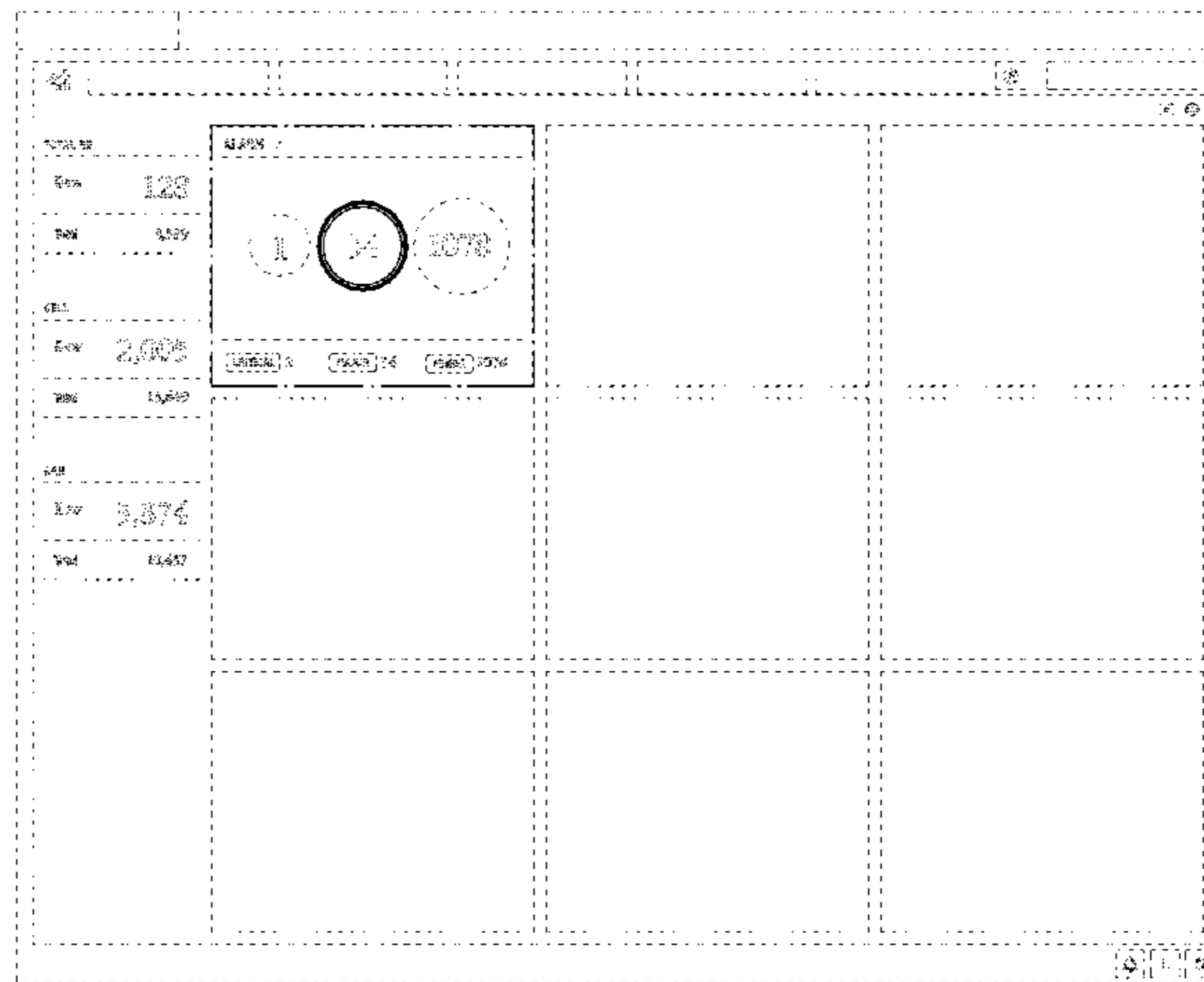
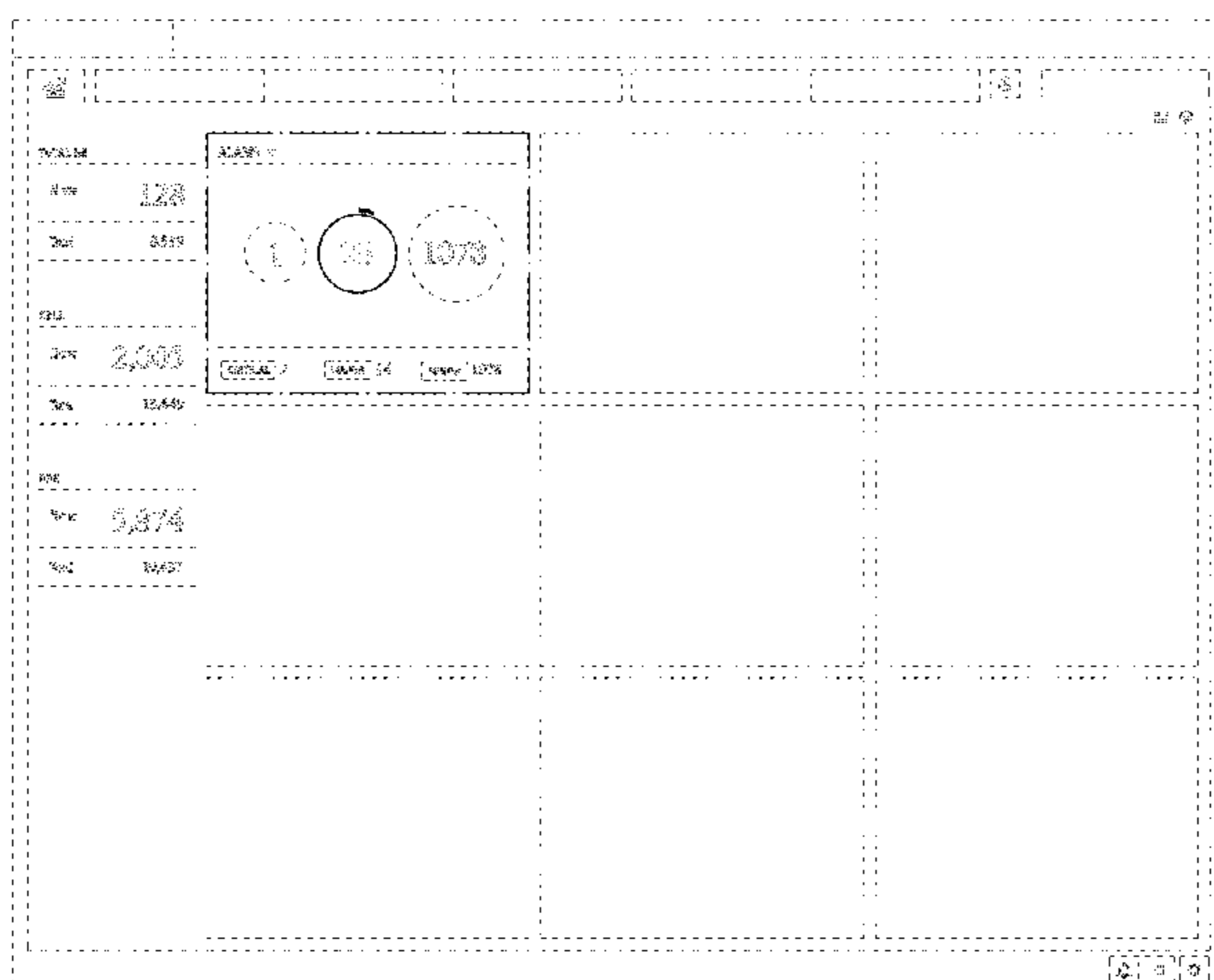
D644,661 S * 9/2011 Gardner D14/495

D669,497 S 10/2012 Lee et al. 345/684

D669,499 S * 10/2012 Gardner D14/495

D675,226 S * 1/2013 Frost D14/488

1 Claim, 6 Drawing Sheets



(56)

References Cited

U.S. PATENT DOCUMENTS

D724,621 S * 3/2015 Rydenhag D14/489
D725,674 S * 3/2015 Jung D14/488
D735,754 S * 8/2015 Chaudhri D14/488
D739,872 S * 9/2015 Bang D14/488
D741,898 S * 10/2015 Soegiono D14/488
D744,535 S * 12/2015 Shin D14/489
D750,125 S * 2/2016 Yang D14/488
D752,072 S * 3/2016 Song D14/486
D759,051 S * 6/2016 Bauer D14/485

2012/0056827 A1* 3/2012 Kim D06F 39/005
345/173
2016/0001024 A1* 1/2016 Larsson G06F 19/3406
128/205.23

OTHER PUBLICATIONS

Holo Circle MNML for Zooper, Copyright 2014, pp. 1-4, Retrieved from the Internet Nov. 11, 2014, <URL:<https://play.google.com/store/apps/details?id=com.diamonddesign.zwskin.circlemnml>>.

* cited by examiner

FIG. 1

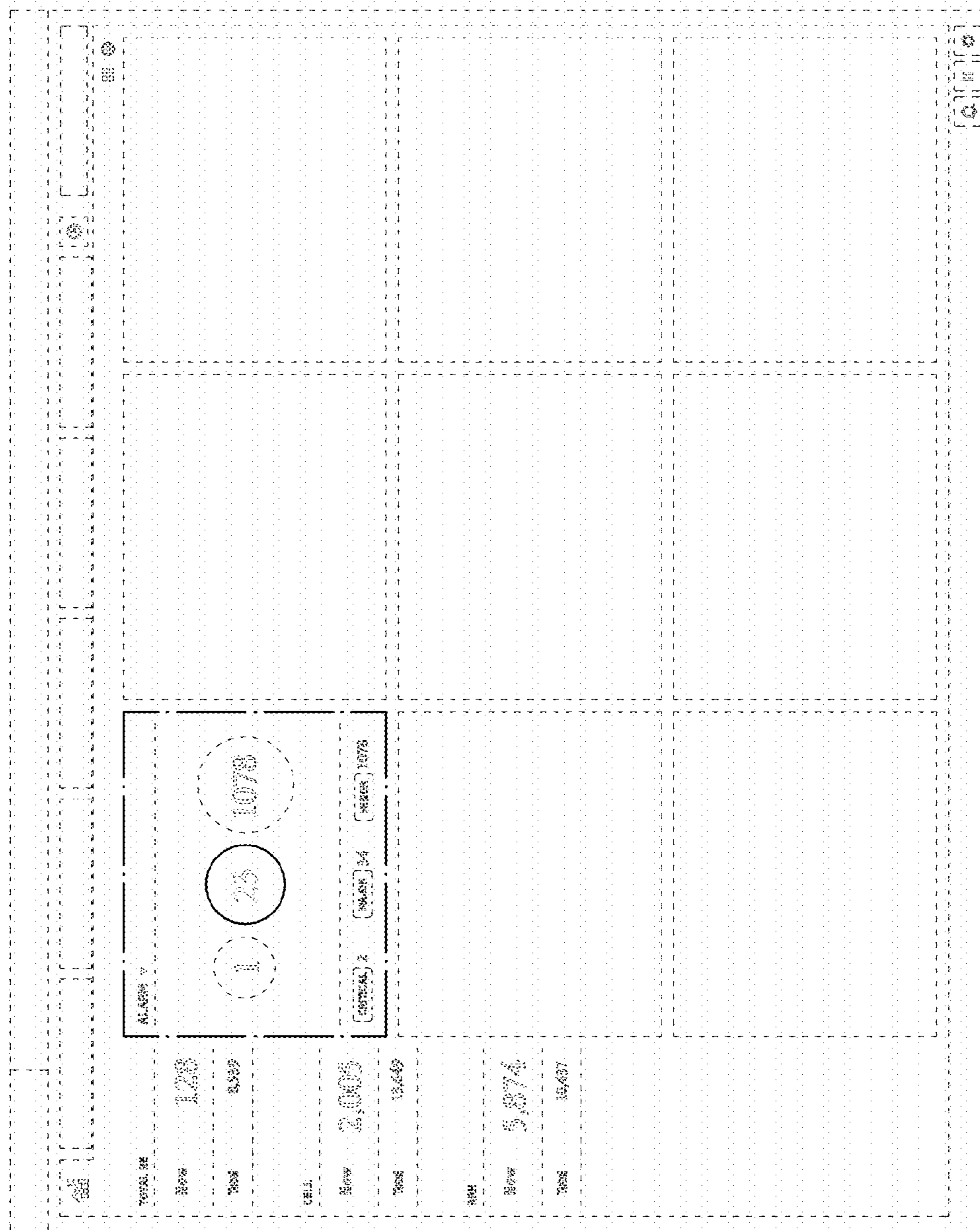


FIG. 2

TOTAL NO. RELEASE V	
ROW	128
TRNS	6,639
CELL	
ROW	2,005
TRNS	16,649
ROW	5,874
TRNS	30,637

1 23 1078

[CONTROL] 2 [NUMBER] 3-6 [REPORT] 1078

1078

1078

FIG. 3

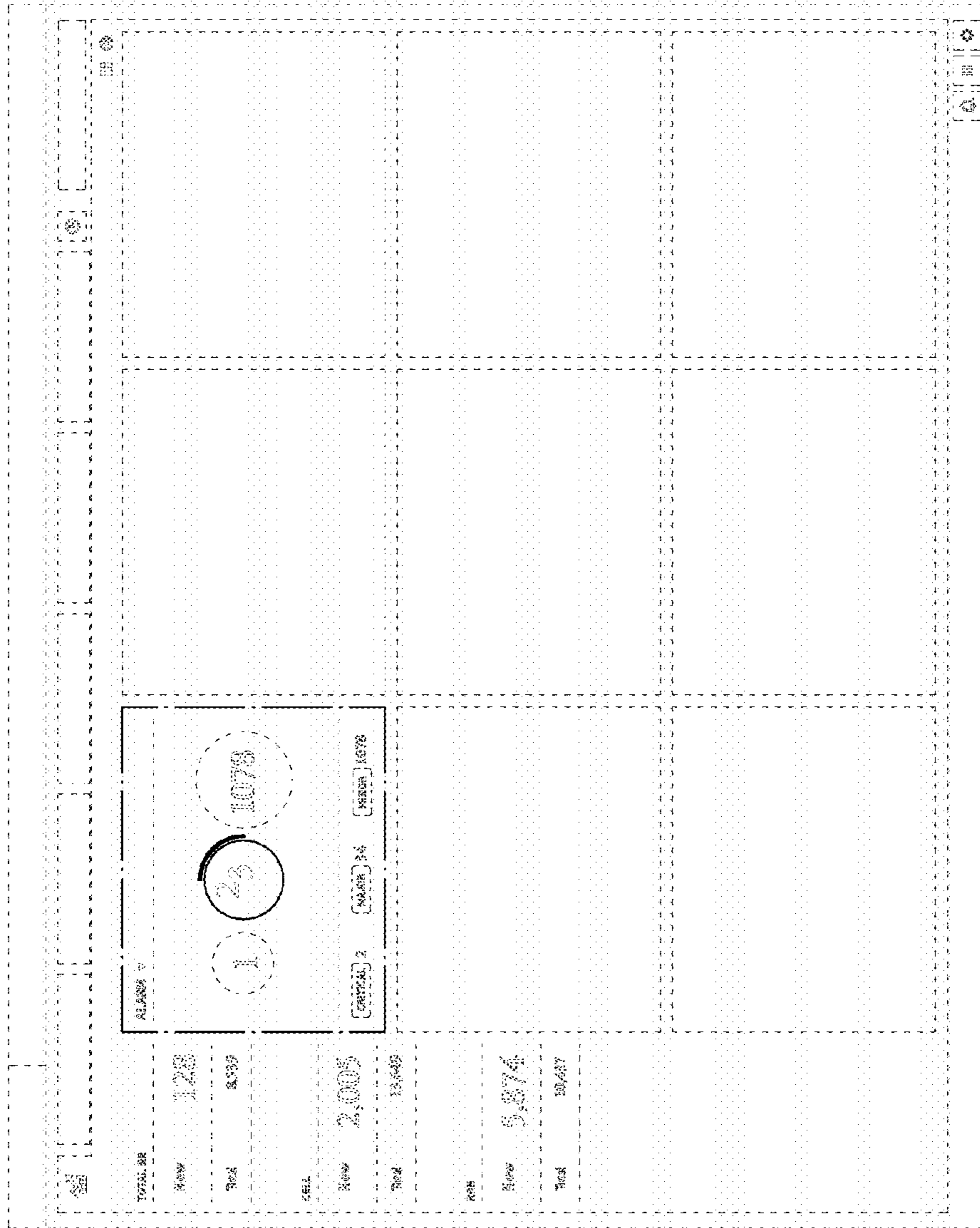


FIG. 4

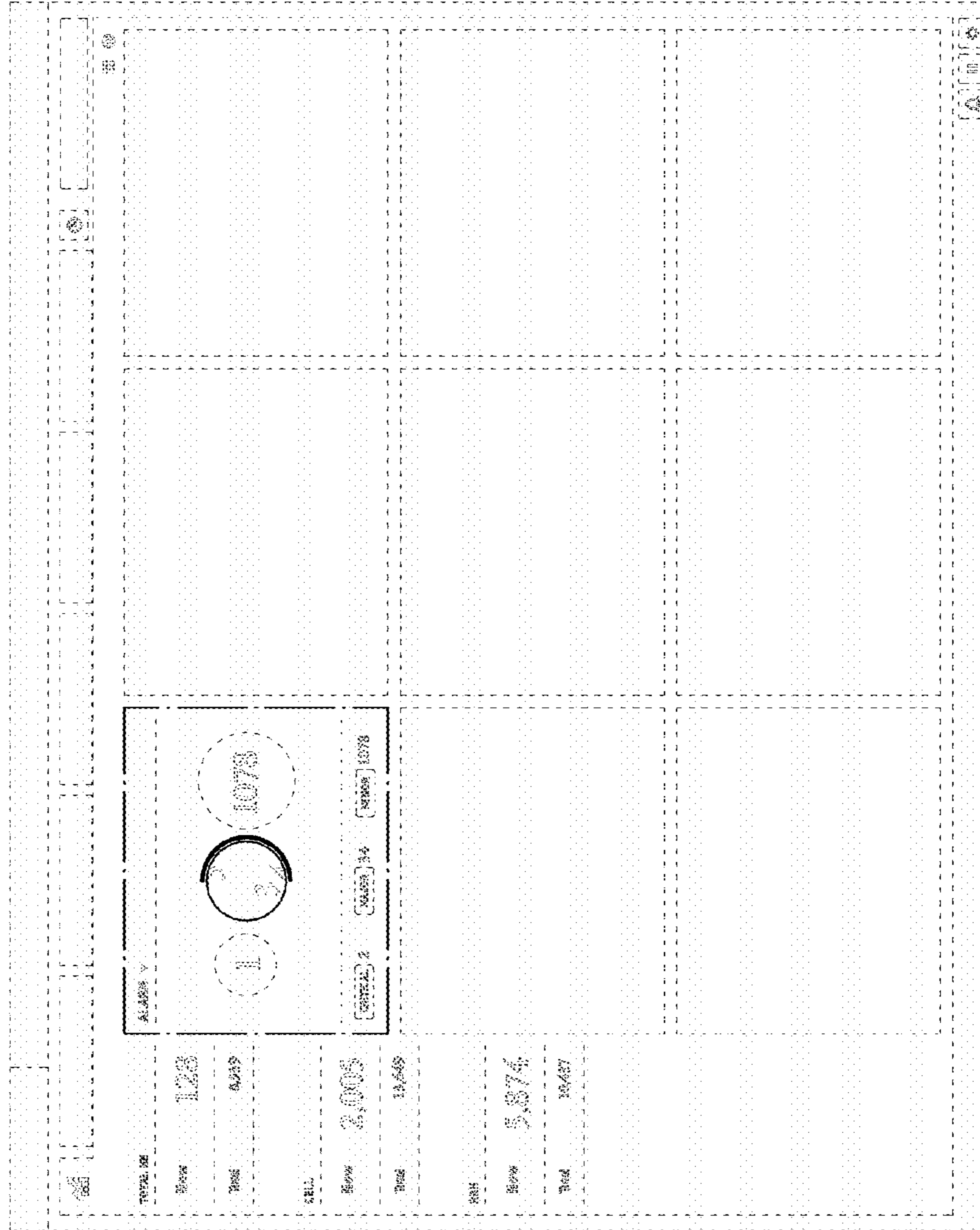


FIG. 5

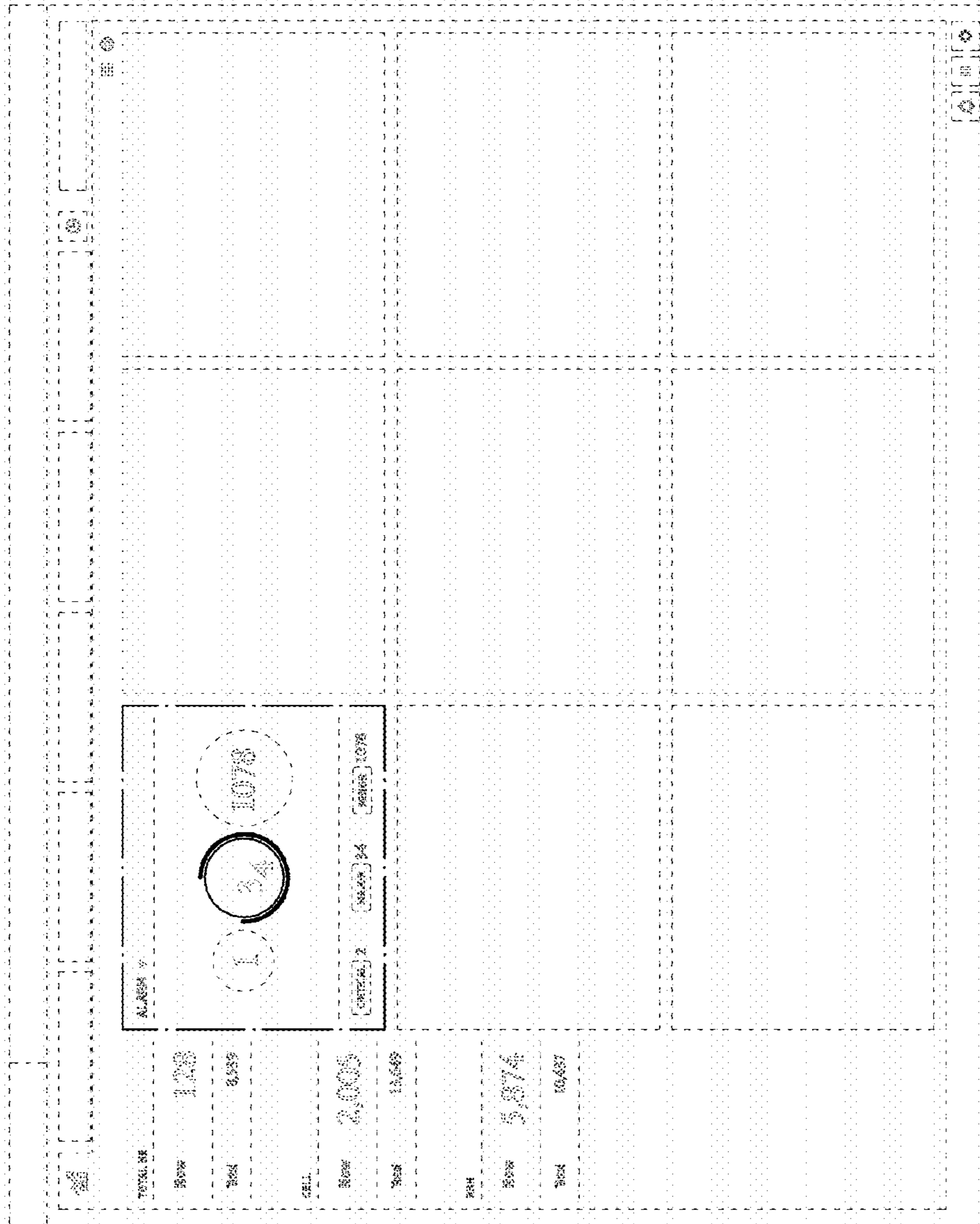


FIG. 6

