



US00D771089S

(12) **United States Design Patent**
Guntzer et al.

(10) **Patent No.:** **US D771,089 S**
(45) **Date of Patent:** **** Nov. 8, 2016**

(54) **DISPLAY SCREEN OR PORTION THEREOF WITH GRAPHICAL USER INTERFACE FOR A RADIATION DOSE MAPPING SYSTEM**

6,574,500 B2 6/2003 Keren
6,614,452 B1 * 9/2003 Cable A61B 5/0059
382/280

(Continued)

(71) Applicant: **GENERAL ELECTRIC COMPANY**,
Schenectady, NY (US)

FOREIGN PATENT DOCUMENTS

(72) Inventors: **Pierre Guntzer**, Strasbourg (FR);
Vincent Pangon, Strasbourg (FR);
Jean-Baptiste Meyer, Strasbourg (FR)

EP 0 689 680 8/1998
EP 0 792 466 4/2003

(Continued)

(73) Assignee: **General Electric Company**,
Schenectady, NY (US)

OTHER PUBLICATIONS

(**) Term: **14 Years**

Boer et al "Real-Time Quantification and Display of Skin Radiation During Coronary Angiography and Intervention", American Heart Association, Volume No. 104, pp. 1779-1784, 2001.

(Continued)

(21) Appl. No.: **29/497,290**

Primary Examiner — Kevin Rudzinski

(22) Filed: **Jul. 23, 2014**

(57) **CLAIM**

(51) **LOC (10) Cl.** **14-04**

The ornamental design for a display screen or portion thereof with graphical user interface for a radiation dose mapping system, as shown and described.

(52) **U.S. Cl.**

USPC **D14/486**

DESCRIPTION

(58) **Field of Classification Search**

USPC D14/485–495

CPC .. G06F 3/048; G06F 3/0481; G06F 3/04817;

G06F 3/0482

See application file for complete search history.

A portion of the disclosure of this patent document contains material to which a claim for copyright is made. The copyright owner has no objection to the facsimile reproduction by anyone of the patent document or the patent disclosure, as it appears in the Patent and Trademark Office file or records, but reserves all other copyrights whatsoever.

FIG. 1 is a front view of a graphical user interface for a display screen or portion thereof showing a first embodiment of our new design;

FIG. 2 is a front view of a graphical user interface for a display screen or portion thereof showing a second embodiment of our new design; and,

FIG. 3 is a front view of a graphical user interface for a display screen or portion thereof showing a third embodiment of our new design.

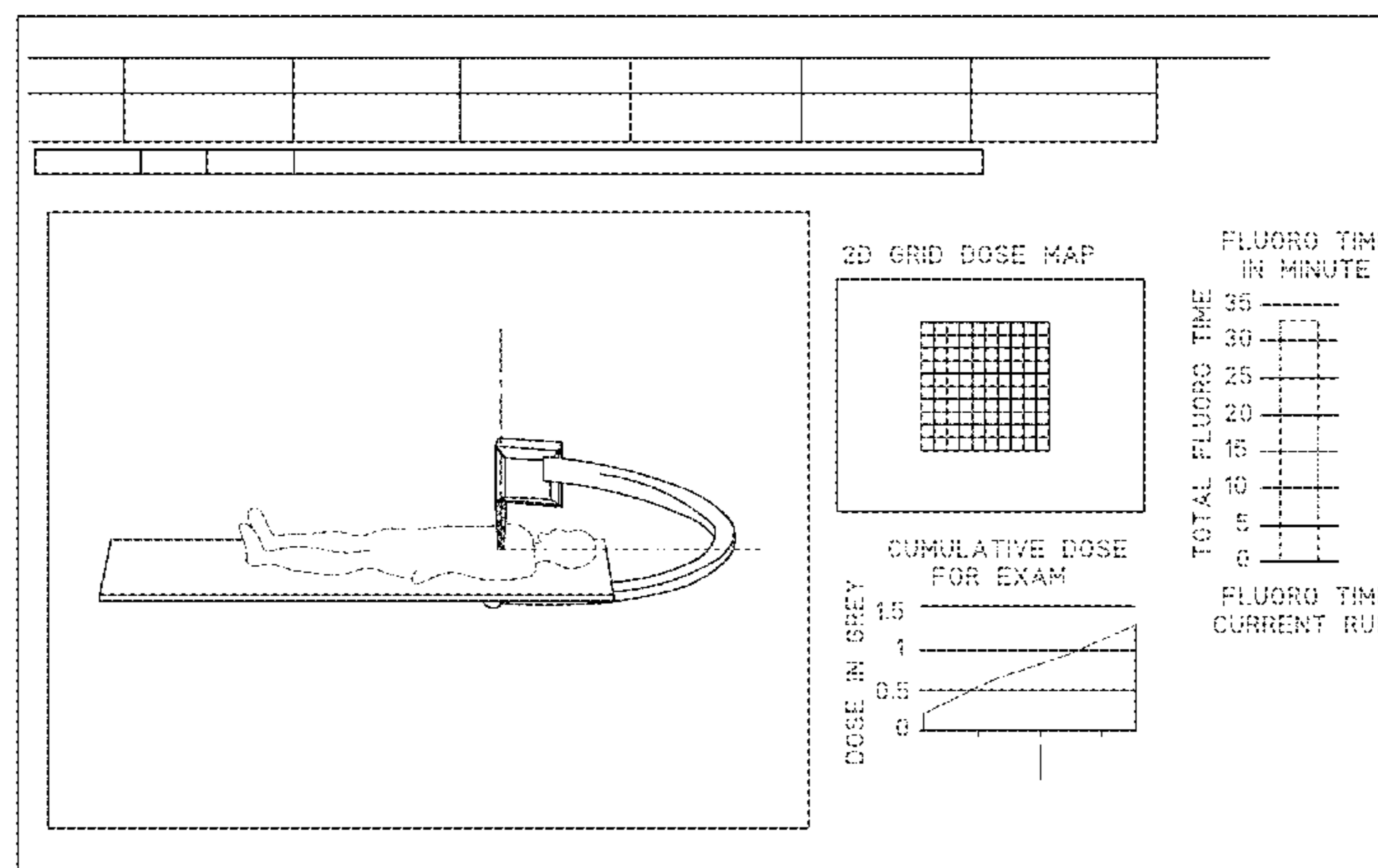
The broken lines illustrating text, lines, numbers and images in the drawing show portions of the graphical user interface that form no part of the claimed design.

(56) **References Cited**

U.S. PATENT DOCUMENTS

5,027,818 A	7/1991	Bova et al.	
5,635,709 A *	6/1997	Sliski	G01T 1/169 250/252.1
5,761,270 A *	6/1998	Unfors	G01T 1/16 378/207
5,954,650 A *	9/1999	Saito	G06T 11/00 382/128
D428,397 S *	7/2000	Palalau	D14/486
6,304,625 B1 *	10/2001	Senzig	A61B 6/032 378/108
6,435,714 B1	8/2002	Bruder	
6,469,717 B1 *	10/2002	Wineke	G06F 3/04845 715/765

1 Claim, 3 Drawing Sheets



(56)

References Cited

U.S. PATENT DOCUMENTS

D483,381 S * 12/2003 Platz D14/495
 6,892,948 B2 5/2005 Steklenski et al.
 6,918,697 B2 * 7/2005 Weidmann A61B 6/4035
 250/370.11
 7,227,152 B2 6/2007 Brabec et al.
 7,254,623 B1 * 8/2007 Toth A61B 6/032
 707/999.005
 7,313,223 B2 * 12/2007 Unfors A61B 6/08
 250/336.1
 7,399,977 B2 7/2008 Rink et al.
 D578,132 S * 10/2008 Lee D14/486
 7,432,510 B2 * 10/2008 Yeo A61N 5/1048
 250/374
 7,441,955 B2 * 10/2008 Guyonnet G01T 1/201
 378/207
 7,450,687 B2 11/2008 Yeo et al.
 D589,527 S * 3/2009 Shamma D14/486
 7,581,191 B2 * 8/2009 Rice A61B 5/0059
 382/128
 7,607,092 B2 * 10/2009 Rogers G06Q 10/10
 715/714
 7,627,079 B2 12/2009 Boone
 7,652,268 B2 * 1/2010 Patel G01T 1/04
 250/472.1
 7,662,083 B2 2/2010 Gueye et al.
 D614,634 S * 4/2010 Nilsen D14/486
 D616,893 S * 6/2010 Ehrler D14/486
 D622,731 S * 8/2010 Krum D14/486
 7,871,406 B2 1/2011 Nields et al.
 7,890,498 B1 * 2/2011 Hafey G06F 19/3487
 707/722
 7,923,694 B2 * 4/2011 Black A61N 5/1048
 250/252.1
 8,107,589 B2 1/2012 Sakurai et al.
 8,119,978 B2 * 2/2012 Islam A61N 5/1048
 250/252.1
 8,133,167 B2 3/2012 Gueye et al.
 D658,667 S * 5/2012 Cho D14/486
 8,175,894 B2 5/2012 Oowaki et al.
 8,198,595 B2 6/2012 Polishchuk
 D663,737 S * 7/2012 Sullivan D14/486
 8,311,848 B2 * 11/2012 Subash G06F 19/322
 705/2
 D671,954 S * 12/2012 Wojcik D14/486
 D687,457 S * 8/2013 Edwards D14/486
 8,560,968 B1 * 10/2013 Nair G06F 19/3406
 715/810
 D692,916 S * 11/2013 Granchi D14/489
 D696,680 S * 12/2013 Bae D14/486
 8,737,713 B2 * 5/2014 Baumgart A61B 6/4441
 382/132
 8,774,361 B2 7/2014 Kargar et al.
 8,793,618 B2 * 7/2014 Martin G06F 19/3406
 715/774
 8,966,385 B2 * 2/2015 Sako G06F 19/321
 705/2
 D730,918 S * 6/2015 Park D14/485
 D742,396 S * 11/2015 Li D14/486
 D742,908 S * 11/2015 Lee D14/486
 9,220,568 B2 * 12/2015 Bromander A61B 19/22
 9,262,444 B2 * 2/2016 Gross G06F 17/30274
 D751,592 S * 3/2016 Link D14/486
 9,275,473 B2 * 3/2016 Hori G06T 7/602
 2002/0128807 A1 9/2002 Sakamoto et al.
 2003/0098354 A1 * 5/2003 Steklenski G01T 1/04
 235/487
 2004/0122308 A1 * 6/2004 Ding A61N 5/1048
 600/407
 2004/0159803 A1 * 8/2004 Akselrod C30B 15/00
 250/581
 2004/0227097 A1 * 11/2004 Brabec G01T 1/026
 250/370.12
 2004/0268258 A1 * 12/2004 Lee G06Q 30/02
 715/708

2005/0061991 A1 * 3/2005 Griggs G01T 1/04
 250/472.1
 2005/0209888 A1 * 9/2005 Oowaki A61B 6/542
 705/3
 2006/0017009 A1 * 1/2006 Rink G01T 1/161
 250/484.5
 2006/0085407 A1 * 4/2006 Kaminaga A61B 6/032
 2007/0071169 A1 * 3/2007 Yeo A61N 5/1031
 378/65
 2007/0114445 A1 * 5/2007 Schell G01T 1/08
 250/474.1
 2007/0129593 A1 * 6/2007 Gueye A61N 5/1027
 600/7
 2007/0162855 A1 * 7/2007 Hawk G11B 27/34
 715/730
 2007/0185739 A1 * 8/2007 Ober G06Q 50/24
 705/3
 2007/0221864 A1 * 9/2007 Neuhaus-Steinmetz .. G01J 1/50
 250/474.1
 2007/0241289 A1 * 10/2007 Fung A61N 5/1048
 250/474.1
 2008/0098333 A1 * 4/2008 Champion A61B 5/445
 715/849
 2008/0292055 A1 * 11/2008 Boone G01T 1/02
 378/97
 2009/0003527 A1 * 1/2009 Hoornaert A61N 5/1048
 378/97
 2009/0045352 A1 * 2/2009 Morita C02F 1/32
 250/474.1
 2009/0090865 A1 * 4/2009 Lub G01J 1/429
 250/331
 2009/0161818 A1 * 6/2009 Sakurai A61B 6/4291
 378/15
 2009/0224176 A1 * 9/2009 Patel G01T 1/203
 250/474.1
 2010/0099985 A1 4/2010 Gueye et al.
 2010/0104159 A1 * 4/2010 Hirokawa A61B 6/032
 382/131
 2010/0239069 A1 * 9/2010 Bourdeaux A61B 6/00
 378/96
 2011/0036988 A1 * 2/2011 Campbell G01T 1/026
 250/370.07
 2011/0078050 A1 * 3/2011 Schwartz G06Q 30/02
 705/27.1
 2011/0144658 A1 * 6/2011 Wenderow A61B 6/481
 606/130
 2011/0152882 A1 * 6/2011 Wenderow A61B 5/7475
 606/130
 2011/0260070 A1 * 10/2011 Polishchuk G01T 1/026
 250/370.07
 2012/0080602 A1 * 4/2012 Garcia Diego G01T 1/11
 250/370.07
 2012/0106817 A1 * 5/2012 Shih A61B 6/583
 382/131
 2012/0128116 A1 * 5/2012 Sabol A61B 6/032
 378/4
 2012/0148132 A1 6/2012 Couch et al.
 2012/0150505 A1 * 6/2012 Couch A61B 6/032
 703/2
 2012/0150520 A1 * 6/2012 Vaillant A61B 6/4441
 703/11
 2012/0179032 A1 * 7/2012 Bromander G06F 19/3406
 600/434
 2012/0183122 A1 7/2012 Ruijters et al.
 2013/0020508 A1 * 1/2013 Kearfott G01T 1/11
 250/473.1
 2014/0140477 A1 5/2014 Richard et al.

FOREIGN PATENT DOCUMENTS

WO WO 97/14017 4/1997
 WO WO 97/32630 9/1997
 WO WO 2005/119295 12/2005
 WO WO 2008/006198 1/2008
 WO WO 2009/111060 9/2009
 WO WO 2011/137374 11/2011

(56)

References Cited

FOREIGN PATENT DOCUMENTS

WO	WO 2012/051499	4/2012
WO	WO 2012/071148	5/2012
WO	WO 2012/075577	6/2012

OTHER PUBLICATIONS

Khodadadegan et al. "Automatic Monitoring of Localized Skin Dose with Fluoroscopic and Interventional Procedures", Journal of

Digital Imaging, Volume No. 24, Issue No. 04, pp. 626-639, Aug. 2011.

Johnson et al. "Skin Dose Mapping for Fluoroscopically Guided Interventions", American Association Physics Medicine, Volume No. 38, Issue No. 10, pp. 5490-5499, Oct. 2011.

PCT Search Report and Written Opinion issued in connection with related PCT Application No. PCT/US2015/041136 on Oct. 30, 2015.

U.S. Appl. No. 14/338,464, filed Jul. 23, 2014, Pierre Guntzer et al.

* cited by examiner

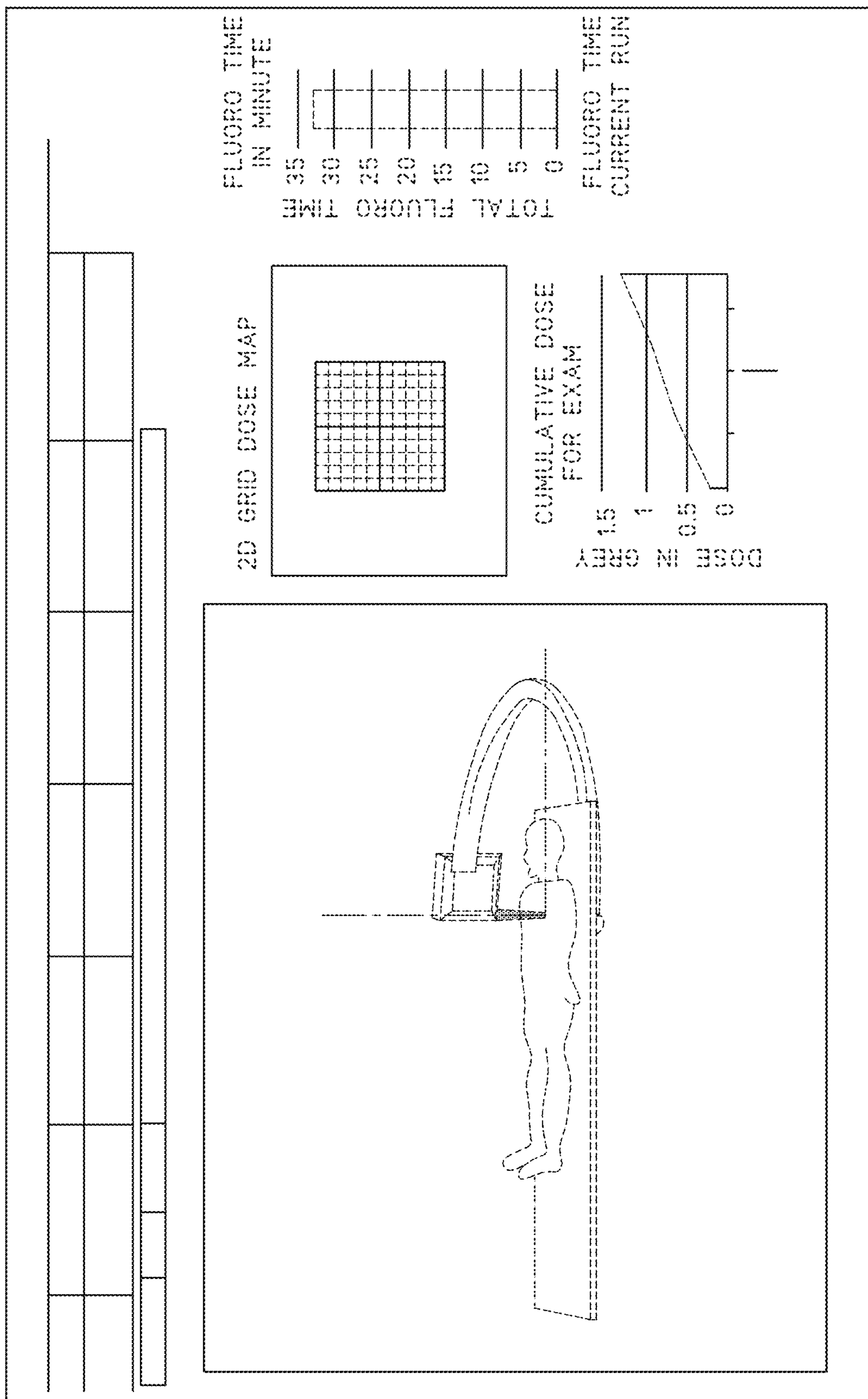


FIG. 1

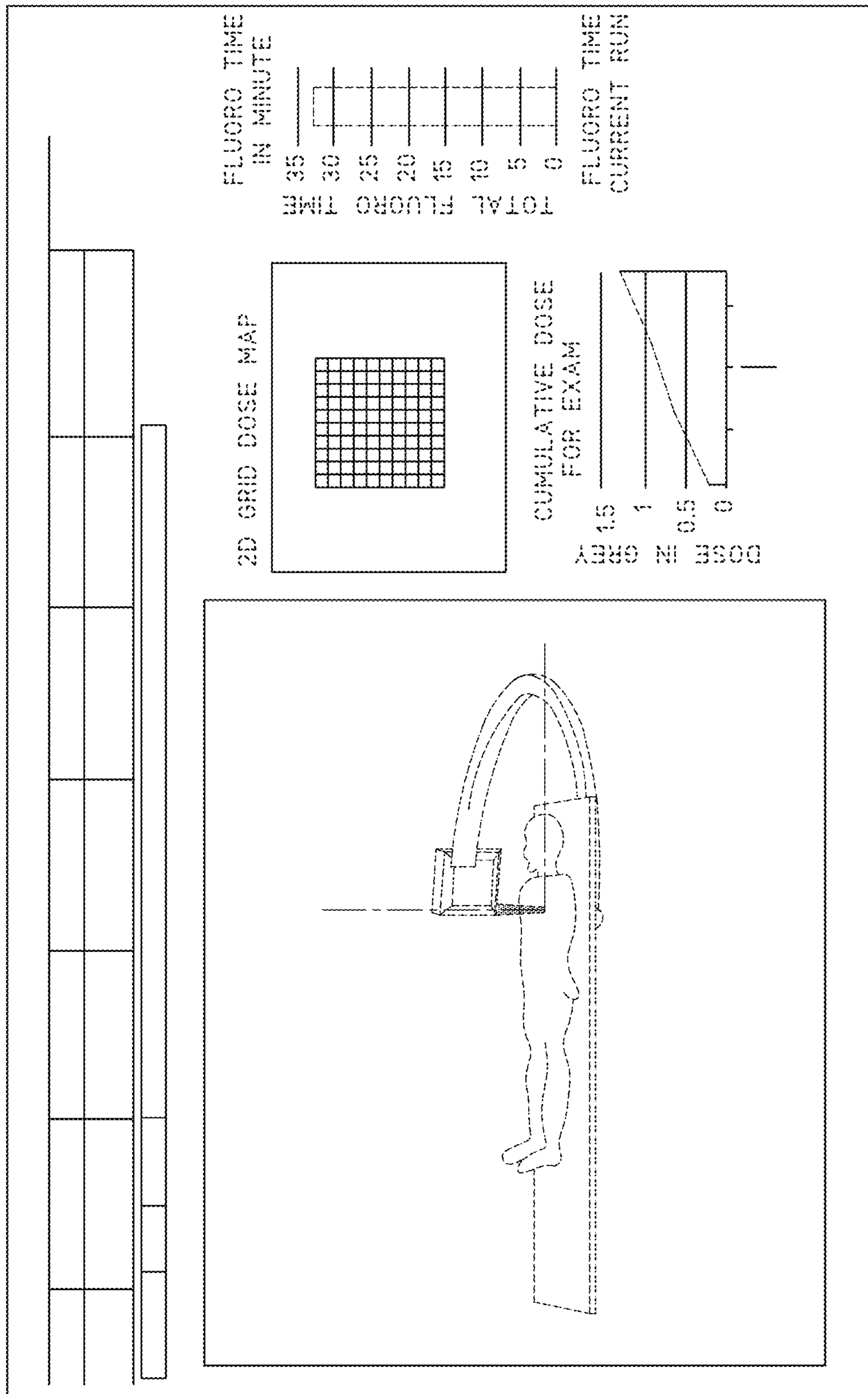


FIG. 2

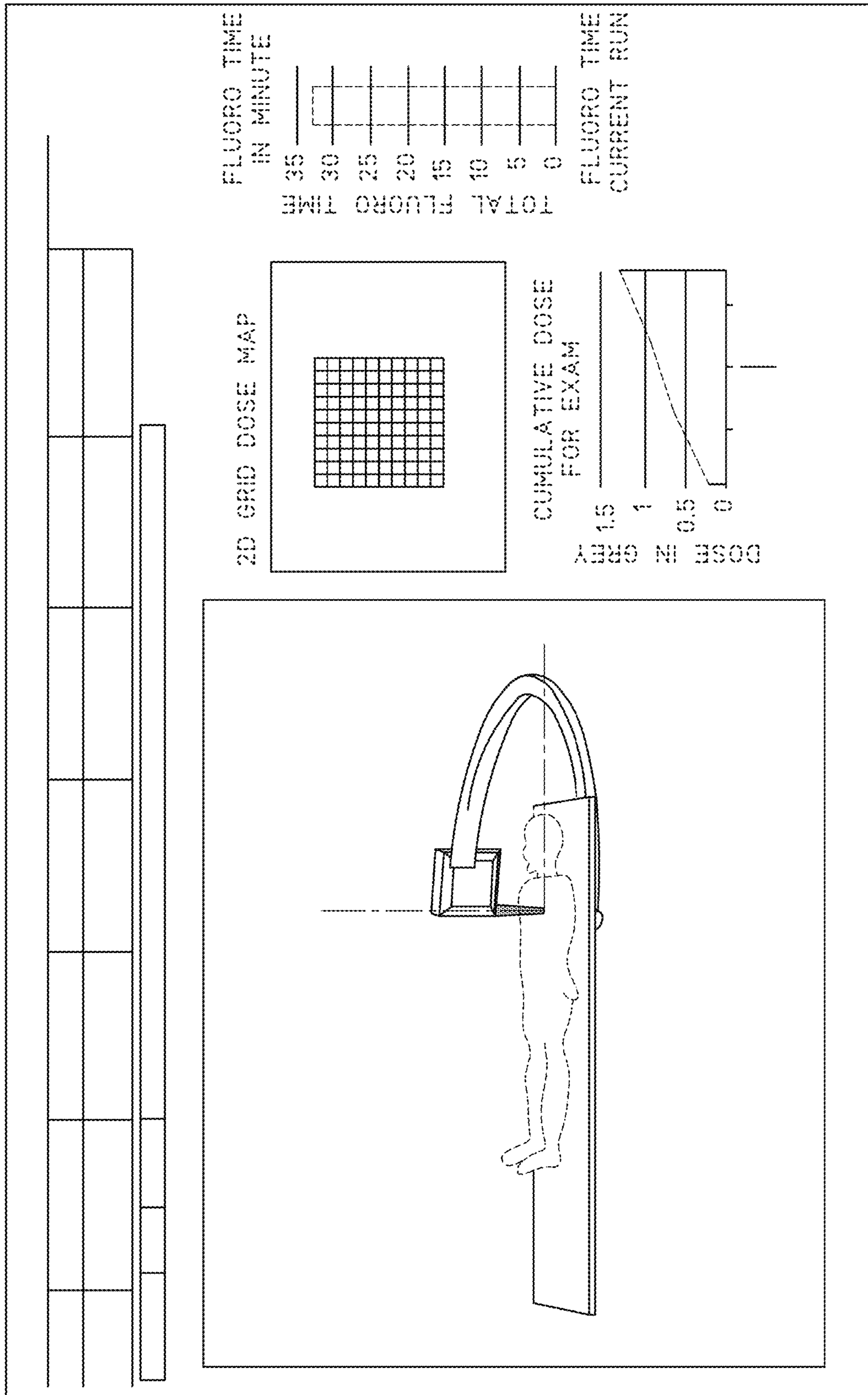


FIG. 3