



US00D771076S

(12) **United States Design Patent** (10) **Patent No.:** **US D771,076 S**
Butcher et al. (45) **Date of Patent:** **** Nov. 8, 2016**

(54) **DISPLAY SCREEN OR PORTION THEREOF WITH ANIMATED GRAPHICAL USER INTERFACE**

(71) Applicant: **Apple Inc.**, Cupertino, CA (US)

(72) Inventors: **Gary Butcher**, San Jose, CA (US);
Joseph Chan, San Francisco, CA (US);
Kevin Will Chen, Sunnyvale, CA (US);
Alan C. Dye, San Francisco, CA (US);
Jonathan P. Ive, San Francisco, CA (US);
Brian Andrew Schmitt, San Francisco, CA (US)

(73) Assignee: **Apple Inc.**, Cupertino, CA (US)

(**) Term: **15 Years**

(21) Appl. No.: **29/557,331**

(22) Filed: **Mar. 8, 2016**

Related U.S. Application Data

(63) Continuation of application No. 29/501,092, filed on Sep. 1, 2014, now Pat. No. Des. 752,624.

(51) **LOC (10) Cl.** **14-04**

(52) **U.S. Cl.**
USPC **D14/485**

(58) **Field of Classification Search**
USPC D14/485-495; D18/26; D10/32, 38, 39, D10/128
CPC G06F 3/0412; G06F 3/04817; G06F 3/0482; G06F 3/04842; G06F 3/0488; H04N 5/44513
See application file for complete search history.

(56) **References Cited**

U.S. PATENT DOCUMENTS

D390,799 S 2/1998 Uptegraph
D437,342 S 2/2001 Kramer et al.
D536,343 S 2/2007 Fong et al.
D568,895 S 5/2008 Seo

(Continued)

OTHER PUBLICATIONS

Craycraft, Harris, "Running with the Apple Watch (Sport)", posted at youtube.com, May 3, 2015, [site visited Jul. 12, 2016]. Available from Internet: <https://www.youtube.com/watch?v=wGHyWmhF4Hg>.*

(Continued)

Primary Examiner — Karen E Kearney

Assistant Examiner — John M Otte

(74) *Attorney, Agent, or Firm* — Sterne, Kessler, Goldstein & Fox P.L.L.C.

(57) **CLAIM**

The ornamental design for a display screen or portion thereof with animated graphical user interface, as shown and described.

DESCRIPTION

FIG. 1 is a front view of a display screen or portion thereof with animated graphical user interface showing a first image of our new design;

FIG. 2 is a second image thereof;

FIG. 3 is a third image thereof;

FIG. 4 is a fourth image thereof;

FIG. 5 is a fifth image thereof;

FIG. 6 is a sixth image thereof;

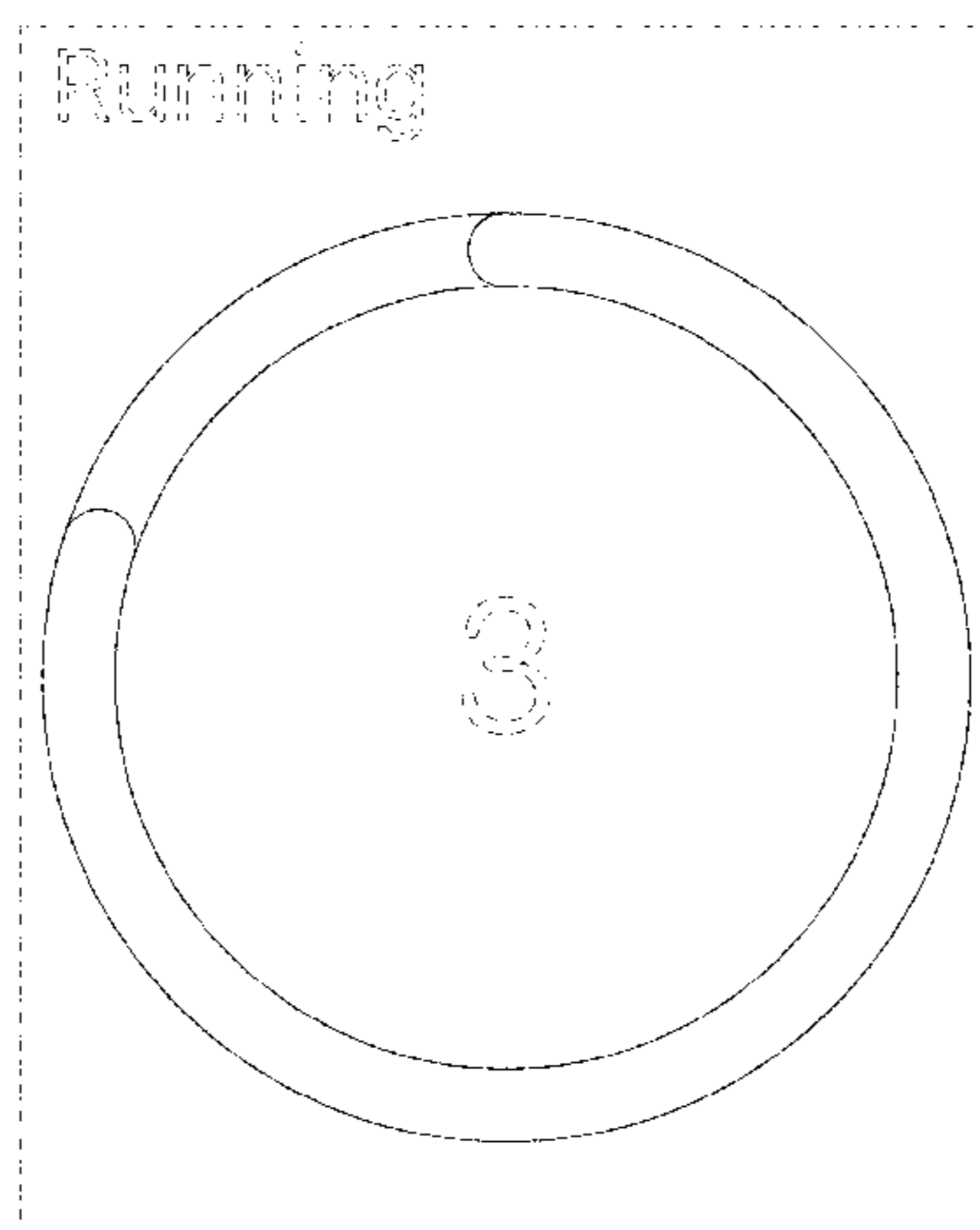
FIG. 7 is a seventh image thereof; and,

FIG. 8 is an eighth image thereof.

The outermost broken lines in the figures show a display screen or portion thereof, and form no part of the claimed design. The other broken lines in the figures show portions of the animated graphical user interface that form no part of the claimed design.

The appearance of the animated images sequentially transitions between the images shown in FIGS. 1-8. The process or period in which one image transitions to another forms no part of the claimed design.

1 Claim, 8 Drawing Sheets



(56)

References Cited

U.S. PATENT DOCUMENTS

D597,101	S	7/2009	Chaudhri et al.	
D604,307	S	11/2009	Stiller et al.	
D611,054	S	3/2010	Lin et al.	
D624,556	S	9/2010	Chaudhri	
D652,050	S	1/2012	Chaudhri	
D669,497	S	10/2012	Lee et al.	
8,327,272	B2	12/2012	Anzures et al.	
D674,400	S	1/2013	Fong	
D676,060	S	2/2013	Frost et al.	
D687,058	S *	7/2013	Corcoran	D14/488
D696,274	S	12/2013	Tagliabue	
D705,808	S	5/2014	Anzures et al.	
D712,422	S	9/2014	Anzures	
D716,325	S	10/2014	Brudnicki	
D721,724	S *	1/2015	Horst	D14/486
D722,082	S	2/2015	Roberts et al.	
D722,606	S	2/2015	Stroupe	
D727,928	S *	4/2015	Allison	D14/485
D730,397	S	5/2015	Oh et al.	
D741,888	S *	10/2015	Sic	D14/486
D745,046	S *	12/2015	Shin	D14/489
D752,624	S *	3/2016	Butcher	D14/486
D755,205	S *	5/2016	Sanderson	D14/485
D756,401	S *	5/2016	Soldner	D14/488
D758,403	S *	6/2016	Lee	D14/486
D759,079	S *	6/2016	Carlton	D14/486
D759,664	S *	6/2016	Sonoda	D14/485
D761,277	S *	7/2016	Harvell	D14/485
2007/0136679	A1 *	6/2007	Yang	H04N 5/44513 715/772
2008/0126992	A1	5/2008	Scheu et al.	
2010/0060586	A1	3/2010	Pisula	
2012/0096383	A1	4/2012	Sakamoto	
2013/0162571	A1 *	6/2013	Tamegai	G06F 3/0412 345/173
2016/0058337	A1 *	3/2016	Blahnik	A61B 5/1112 600/595

OTHER PUBLICATIONS

Horsey, Julian, "Misfit Pebble Smartwatch Fitness Tracker App Unveiled", posted at [geeky-gadgets.com](http://www.geeky-gadgets.com), Jun. 30, 2014, [site visited Jul. 12, 2016]. Available from Internet: <<http://www.geeky-gadgets.com/misfit-pebble-smartwatch-fitness-tracker-app-unveiled-30-06-2014>>.*

"Timer", posted at play.google.com, Jul. 6, 2014, [site visited Jul. 12, 2016]. Available from Internet: <<https://play.google.com/store/apps/details?id=com.gau.go.launcherex.gowidget.timer>>.*

Wong, Raymond, "Moto 360 Smartwatch Review", posted at ubergizmo.com, Sep. 17, 2014, [site visited Jul. 12, 2016]. Available

from Internet: <<http://www.ubergizmo.com/reviews/moto-360-smartwatch-review>>.*

U.S. Appl. No. 29/501,092, filed Sep. 1, 2014; Butcher et al.

U.S. Appl. No. 29/501,164, filed Sep. 2, 2014; Butcher et al.

U.S. Appl. No. 29/501,233, filed Sep. 2, 2014; Chen et al.

U.S. Appl. No. 29/501,334, filed Sep. 3, 2014; Butcher et al.

Registered Trademark Serial No. 78157294, Seagate Technology, filing date Aug. 23, 2002.

Registered Trademark Serial No. 77235043, Apple Inc., filing date Jul. 20, 2007.

Registered Trademark Serial No. 85069782, Apple Inc., filed Jun. 23, 2010.

"Buddy Runner Android app Review", posted at bestandroidapps.net, Sep. 1, 2010, © 2015 The Best Android Apps Guide [online]. Available from Internet: <<http://www.bestandroidapps.net/2010/09/buddy-run-android-app-review>>.

Purdy, Kevin, "12 cool Pebble watch apps and tricks", posted at itworld.com, Jun. 19, 2013, © 2015 I DG Enterprise [online]. Available from Internet: <<http://www.itworld.com/article/2833109/mobile/12-cool-pebble-watch-apps-and-tricks.html>>.

Devine, Richard, "Runtastic adds Timer to their app portfolio, not just a stopwatch", posted at androidcentral.com, Mar. 1, 2013, © 2015 Mobile Nations [online], [site visited Dec. 21, 2015]. Available from Internet: <<http://www.androidcentral.com/runtastic-adds-timer-their-app-portfolio-not-just-stopwatch>>.

"When it Comes to iOS 7 Design, Apple and Developers Speak Different Languages," posted Jul. 2, 2013, http://www.maclife.com/article/columns/when_it_comes_ios_7_design_apple_and_developers_speak_different_languages.

"Pomodoro Timer for Mac", posted at teamviz.com, Jul. 30, 2013, © 2011-2013 Team Viz [online]. Available from Internet: <<https://web.archive.org/web/20130730062316/http://www.teamviz.com/help/pomodoro-timer-formac>>.

Trademark Serial No. 86238890, Apple Inc., filing date Apr. 1, 2014.

Trademark Serial No. 86238947, Apple Inc., filing date Apr. 1, 2014.

Trademark Serial No. 86239011, Apple Inc., filing date Apr. 1, 2014.

Trademark Serial No. 86350204, Apple Inc., filing date Jul. 28, 2014.

Trademark Serial No. 86514929, Apple Inc., filed Jan. 26, 2015.

Trademark Serial No. 86526959, Apple Inc., filing date Feb. 6, 2015.

Trademark Serial No. 86527039, Apple Inc., filing date Feb. 6, 2015.

Trademark Serial No. 86527069, Apple Inc., filing date Feb. 6, 2015.

Trademark Serial No. 86533674, Apple Inc., filing date Feb. 12, 2015.

Trademark Serial No. 86738558, Apple Inc., filed Aug. 26, 2015.

* cited by examiner

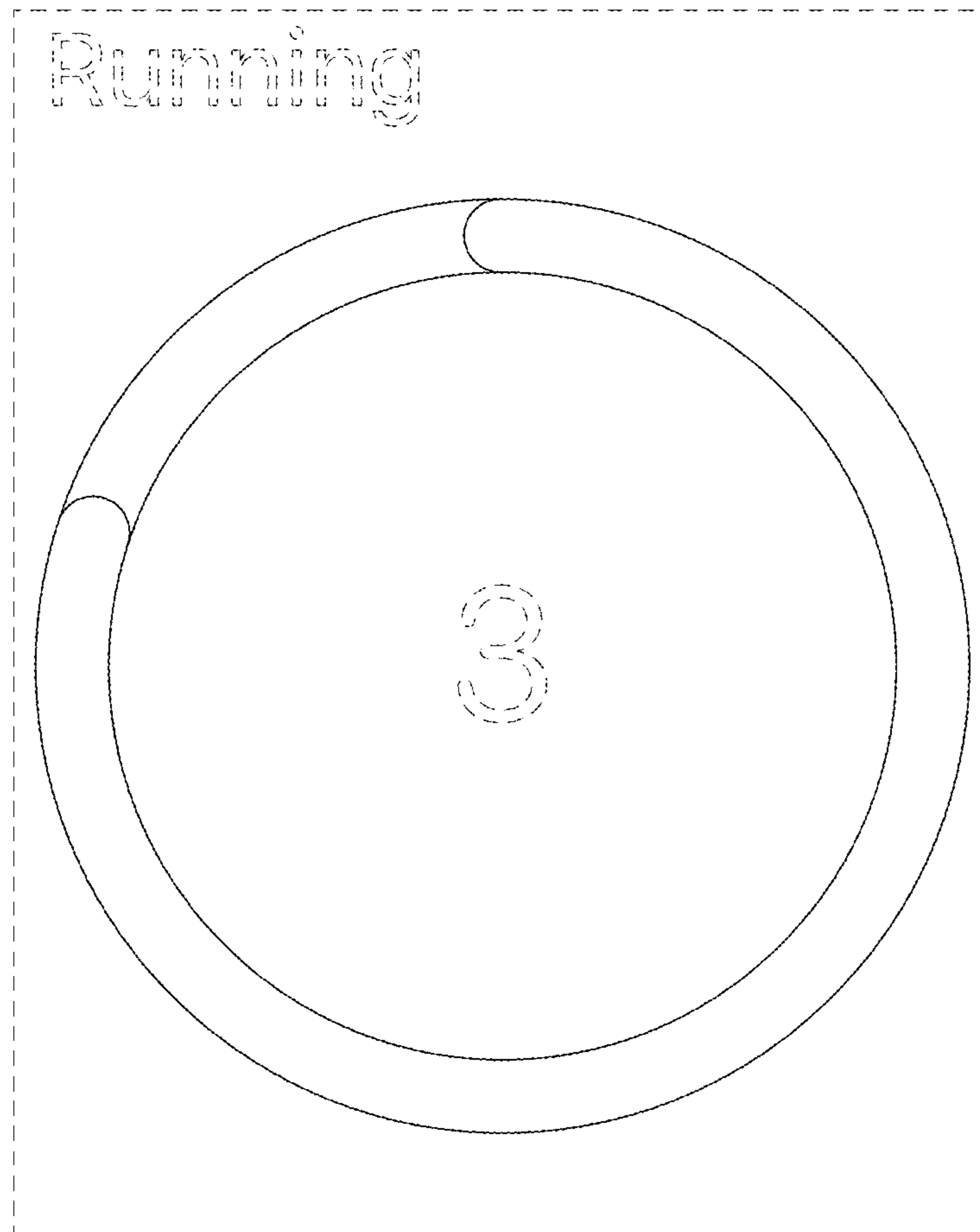


FIG. 1

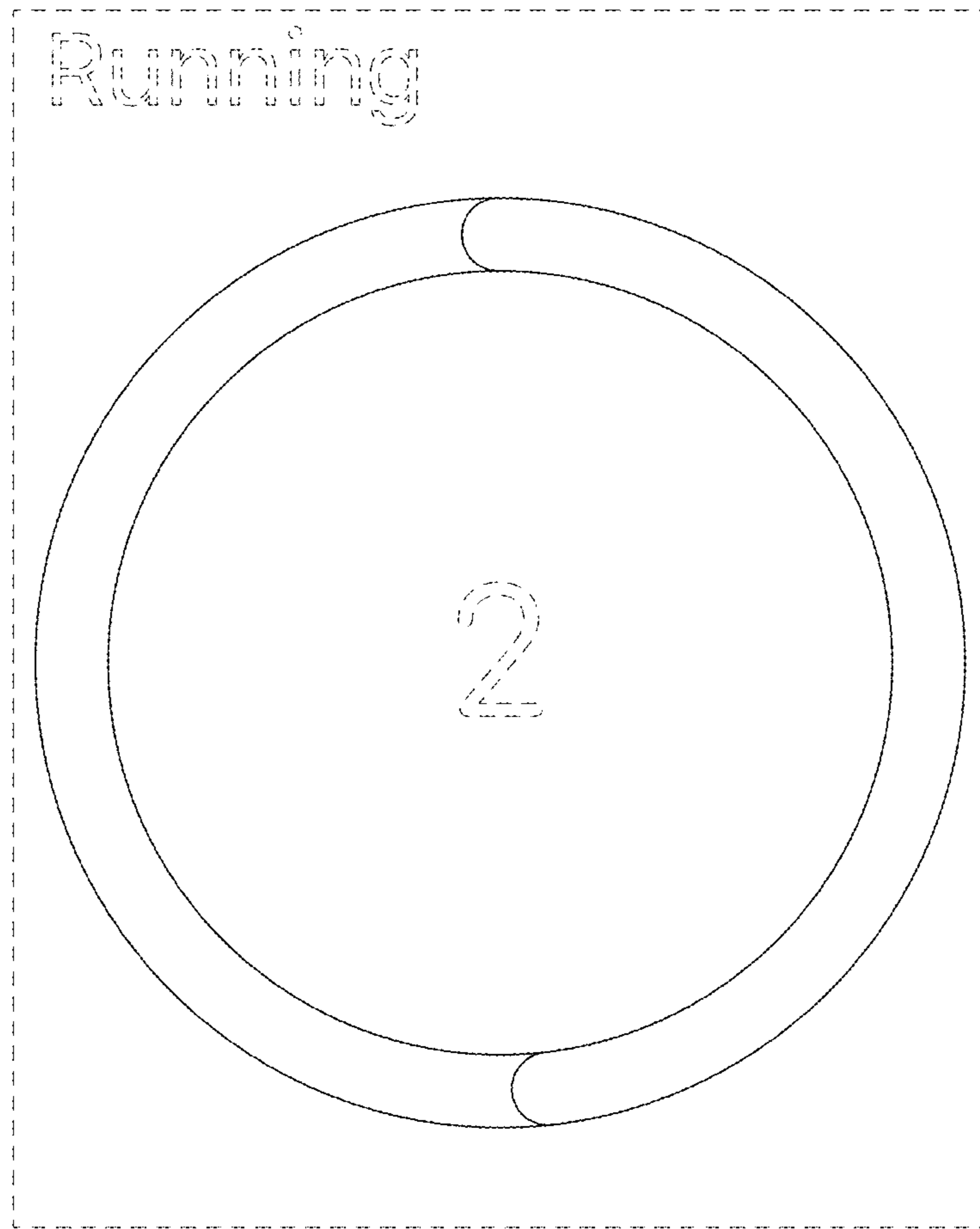


FIG. 2

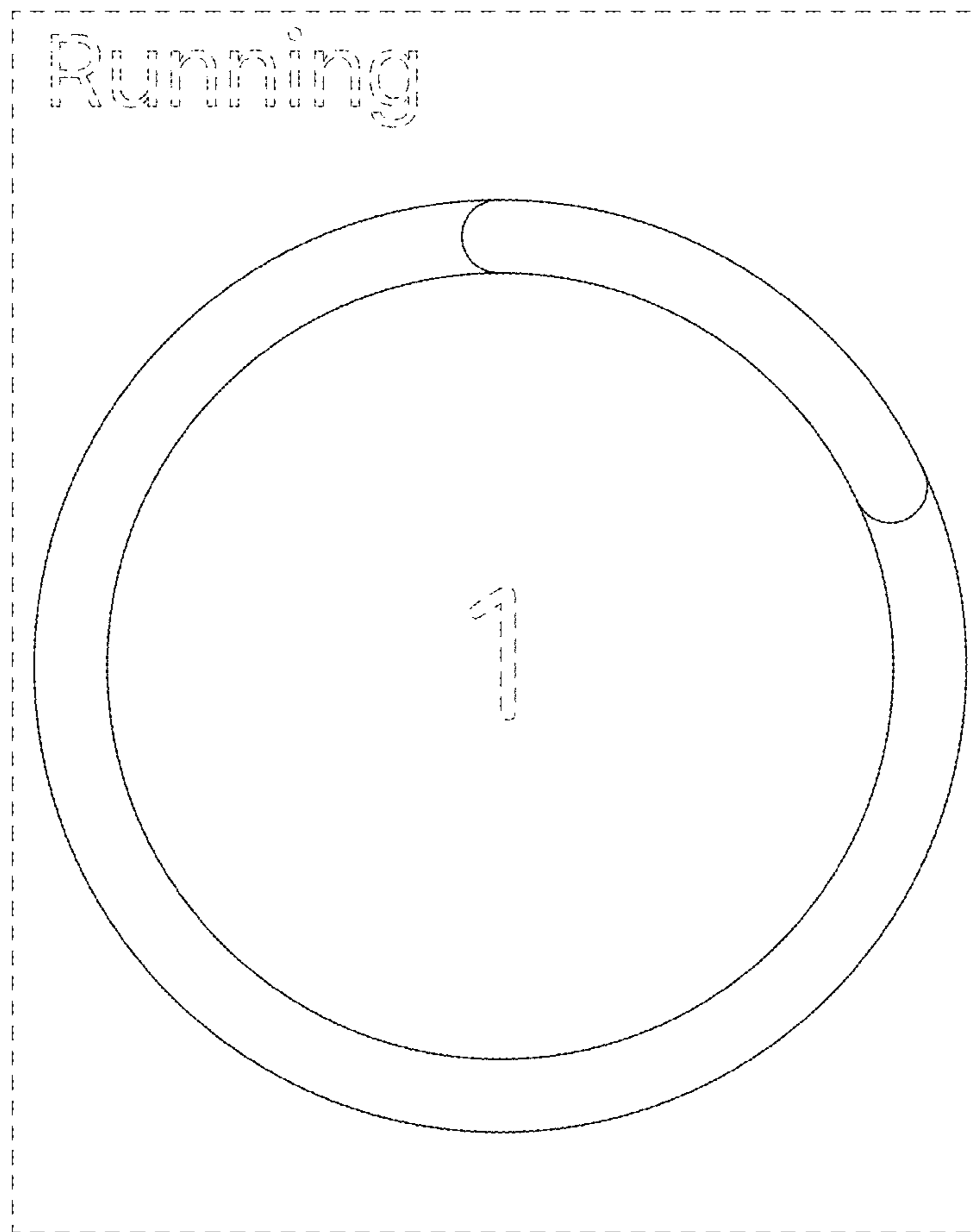


FIG. 3

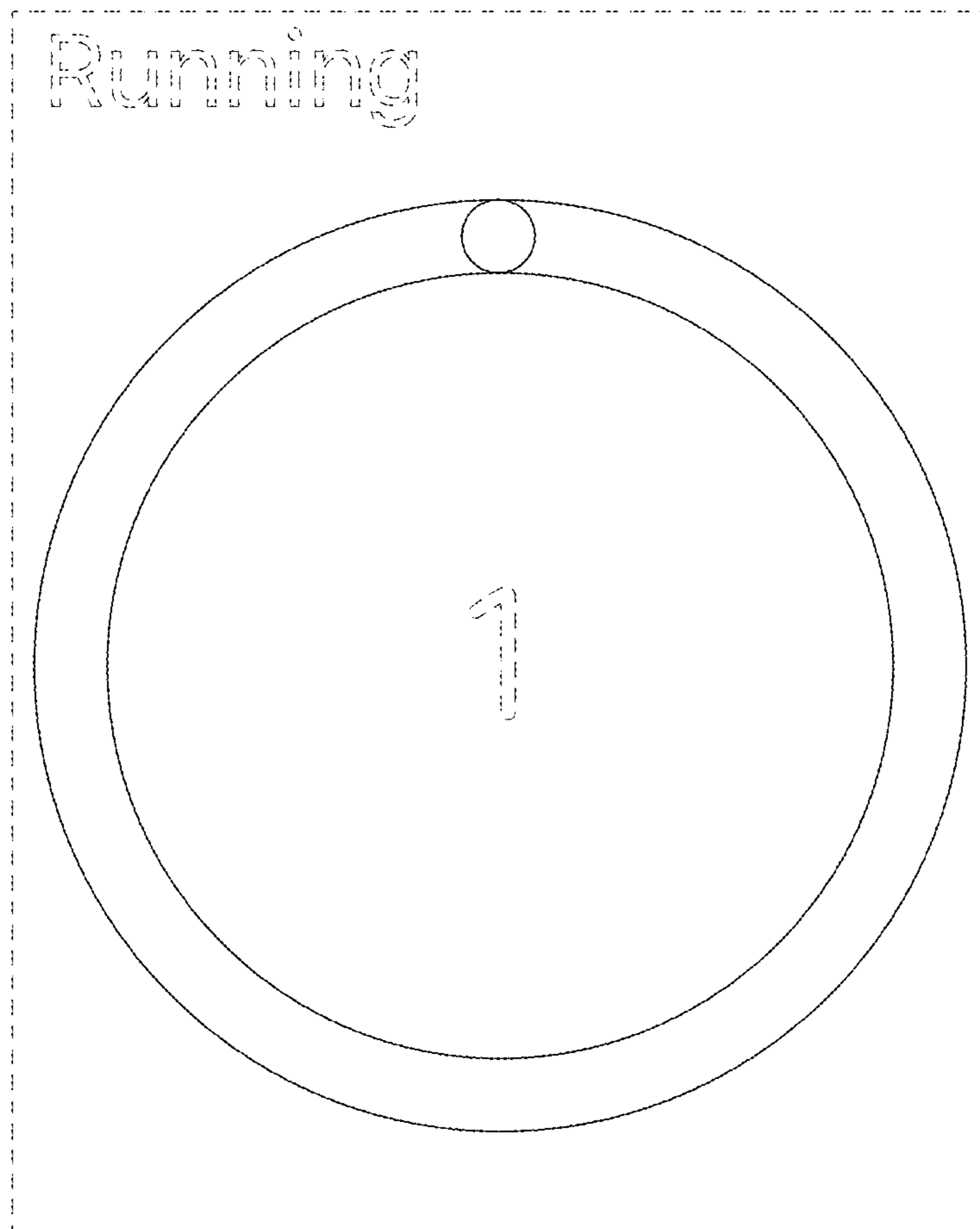


FIG. 4

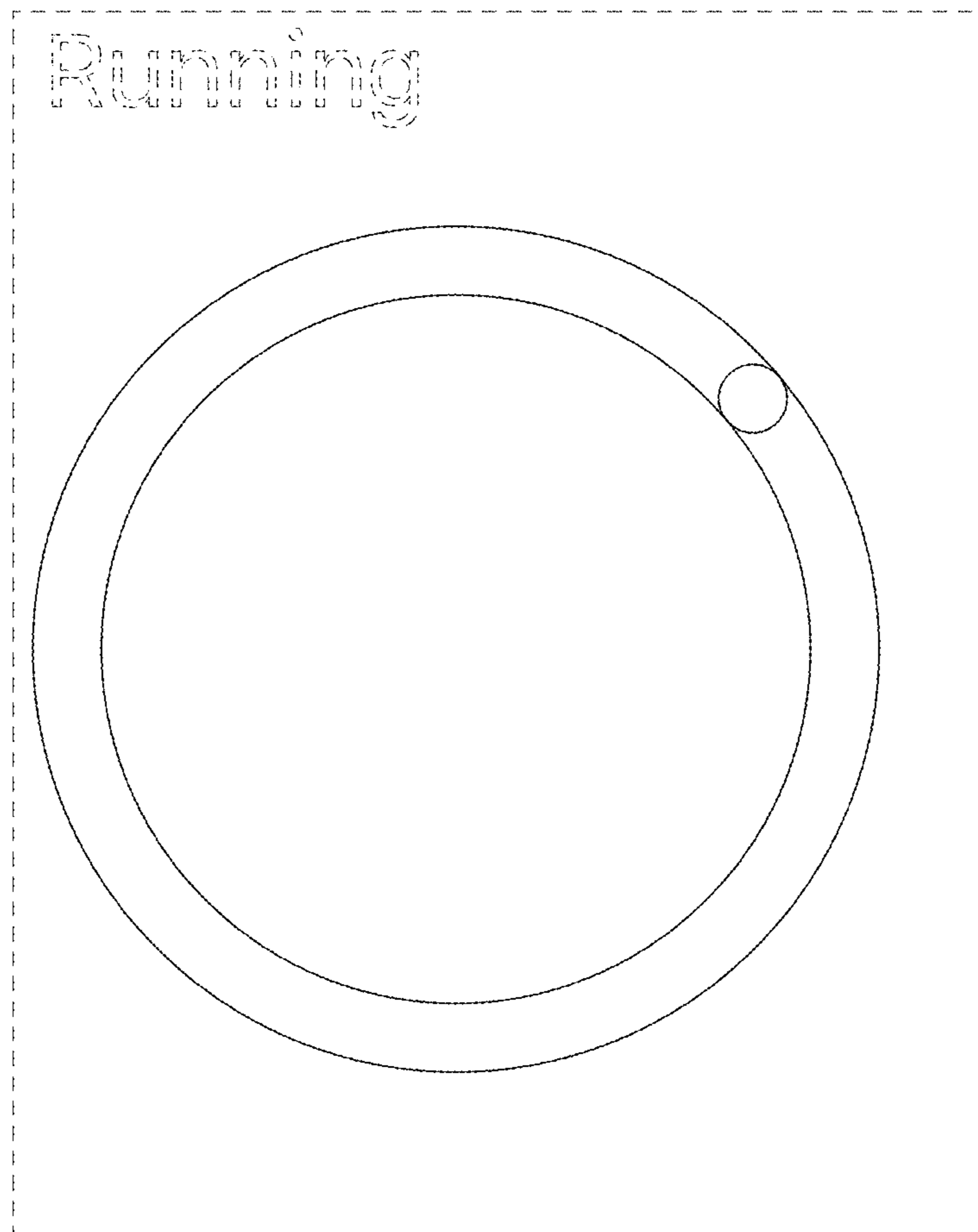


FIG. 5

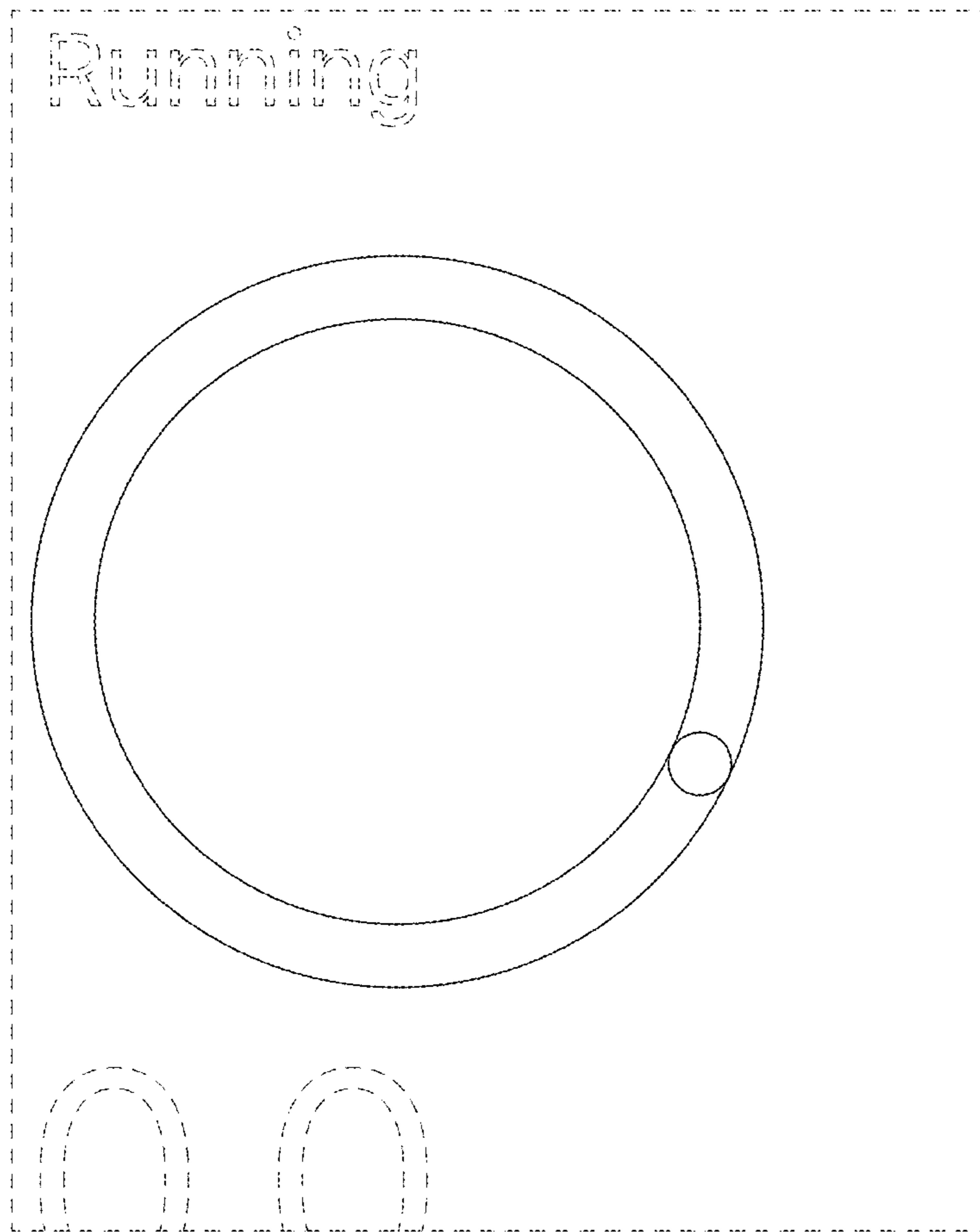


FIG. 6

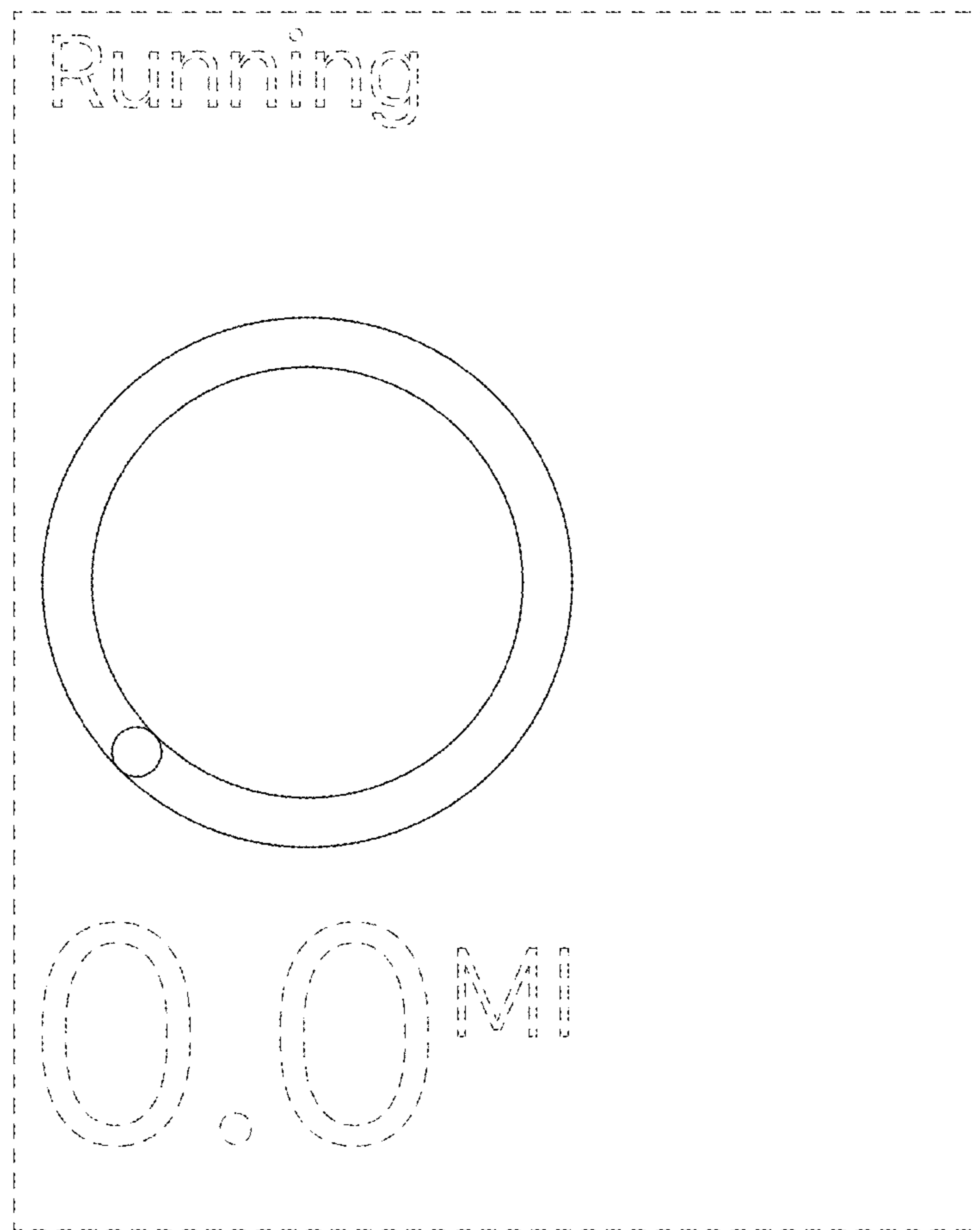


FIG. 7

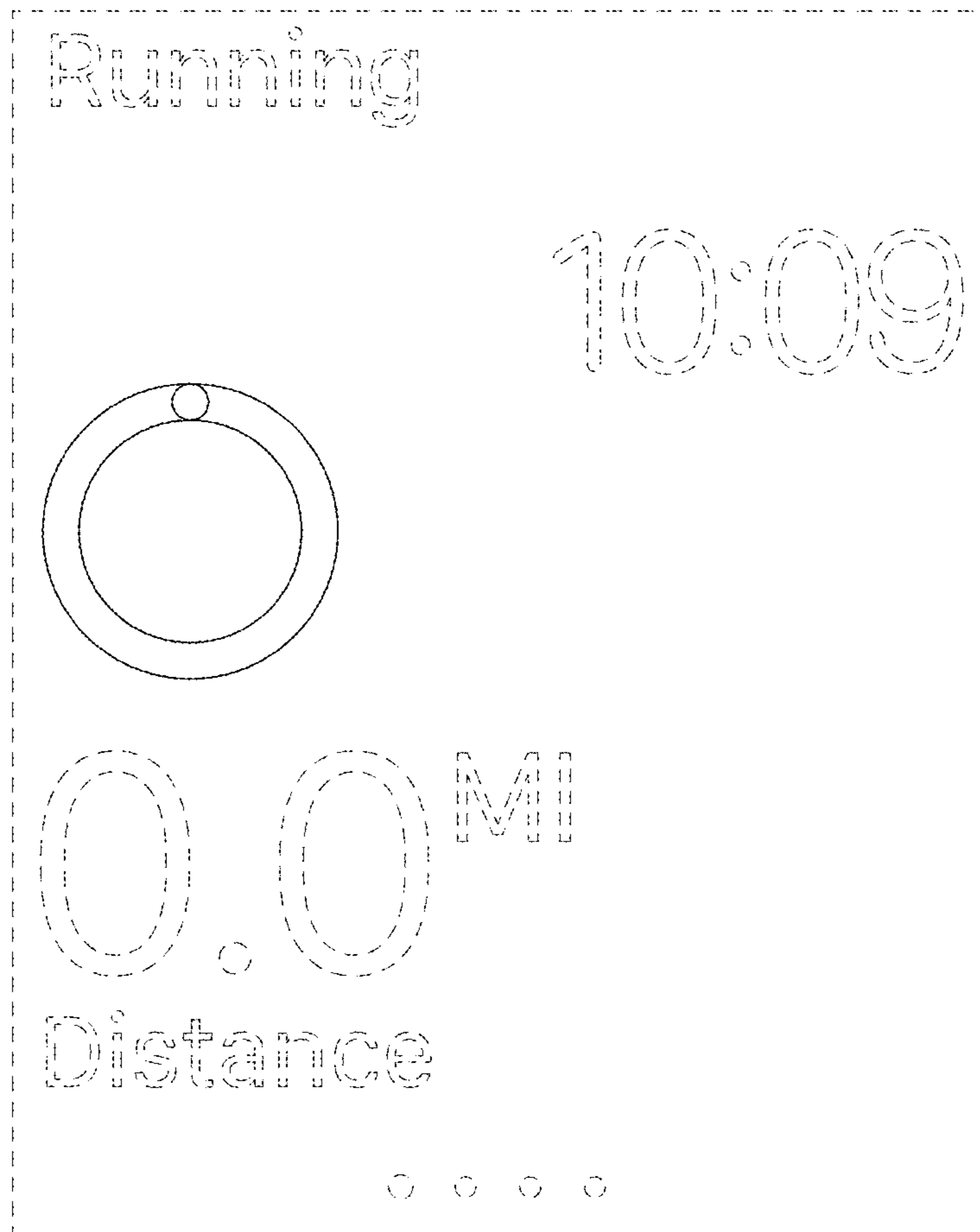


FIG. 8