



US00D771059S

(12) **United States Design Patent** (10) **Patent No.:** **US D771,059 S**  
**Shim** (45) **Date of Patent:** **\*\* Nov. 8, 2016**

(54) **USB (UNIVERSAL SERIAL BUS)** 7,303,411 B1 \* 12/2007 Morganstern ..... H01R 13/447  
439/131  
(71) Applicant: **SAMSUNG ELECTRONICS CO., LTD.**, Suwon-si (KR) D558,763 S \* 1/2008 Morganstern ..... D14/480.7  
D569,375 S \* 5/2008 Yu ..... D14/385  
D610,156 S \* 2/2010 Mudrick ..... D14/480.5  
D682,841 S \* 5/2013 Suetake ..... D14/480.1  
(72) Inventor: **Hyung-Sup Shim**, Seoul (KR) D735,178 S \* 7/2015 Yoon ..... D14/240  
D736,702 S \* 8/2015 Ovadia ..... D13/108  
(73) Assignee: **SAMSUNG ELECTRONICS CO., LTD.**, Suwon-si (KR) D741,865 S \* 10/2015 Sundermeyer ..... D14/433  
D754,139 S \* 4/2016 Billington ..... D14/480.1  
D754,142 S \* 4/2016 Shih-Huang ..... D14/480.7  
D759,021 S \* 6/2016 Shim ..... D14/435.1

(\*\*) Term: **15 Years**

\* cited by examiner

(21) Appl. No.: **29/536,126**

*Primary Examiner* — Angela J Lee

(22) Filed: **Aug. 13, 2015**

(74) *Attorney, Agent, or Firm* — Sughrue Mion, PLLC

(30) **Foreign Application Priority Data**

(57) **CLAIM**

Jun. 18, 2015 (KR) ..... 30-2015-0030823

I claim the ornamental design for a USB, as shown and described.

(51) **LOC (10) Cl.** ..... **14-03**

**DESCRIPTION**

(52) **U.S. Cl.**  
USPC ..... **D14/480.5**

FIG. 1 is a front perspective view of USB showing my new design;

(58) **Field of Classification Search**  
USPC ..... D14/435.1, 480.1–480.7, 411, 433, 436,  
D14/484.1, 137, 155, 203.1–203.8, 240,  
D14/242; D13/133, 154

FIG. 2 is a front view thereof;

FIG. 3 is a rear view thereof;

FIG. 4 is a left-side view thereof;

FIG. 5 is a right-side view thereof;

FIG. 6 is a top plan view thereof;

FIG. 7 is a bottom plan view thereof; and,

FIG. 8 is another perspective view thereof to show the USB with the cap opened.

The broken lines are for environmental purposes only and form no part of the claimed design.

CPC ..... H05K 5/0278; G06K 19/07732  
See application file for complete search history.

(56) **References Cited**

**U.S. PATENT DOCUMENTS**

D542,787 S \* 5/2007 Siu ..... D14/480.5  
D556,752 S \* 12/2007 Otsuka ..... D14/480.5

**1 Claim, 6 Drawing Sheets**

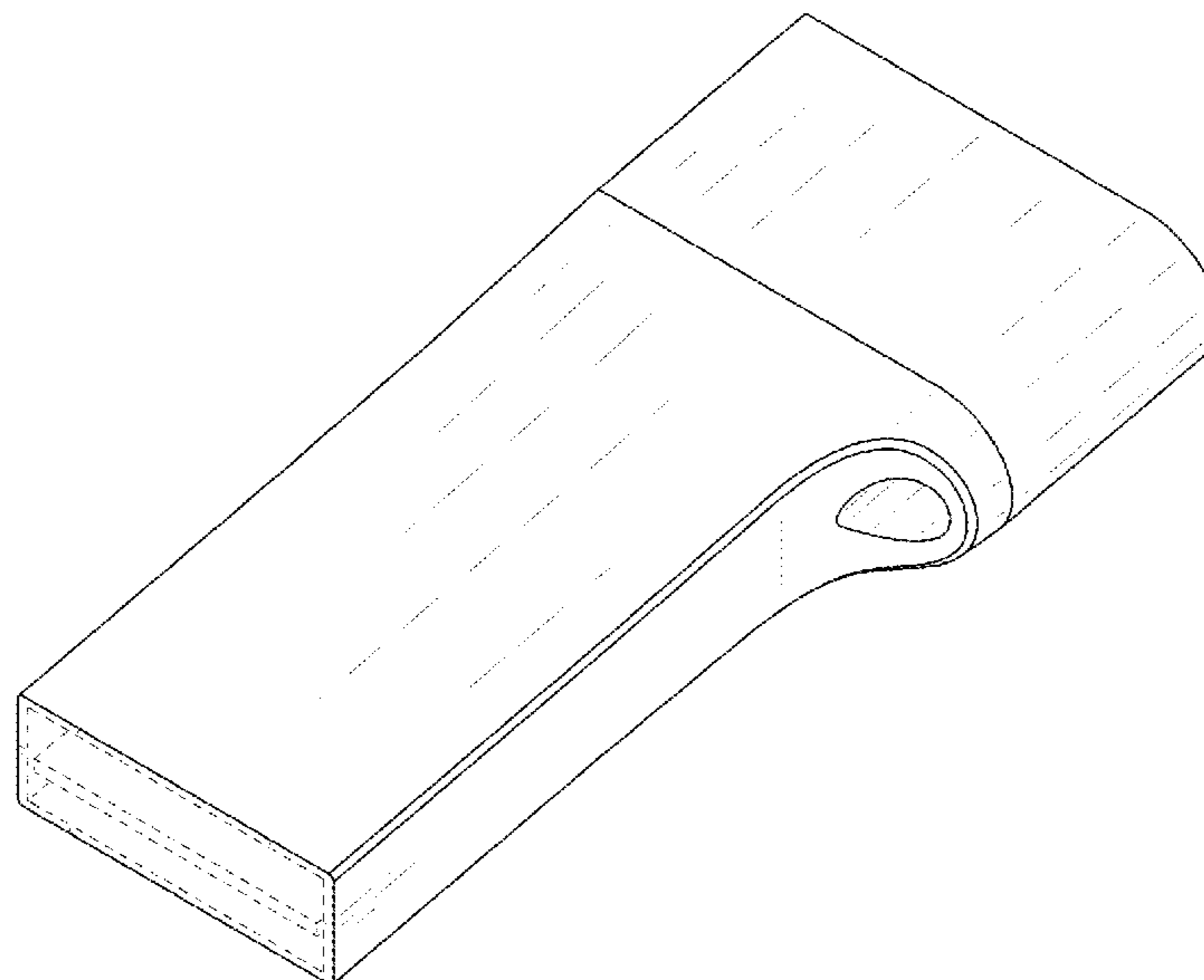


FIG. 1

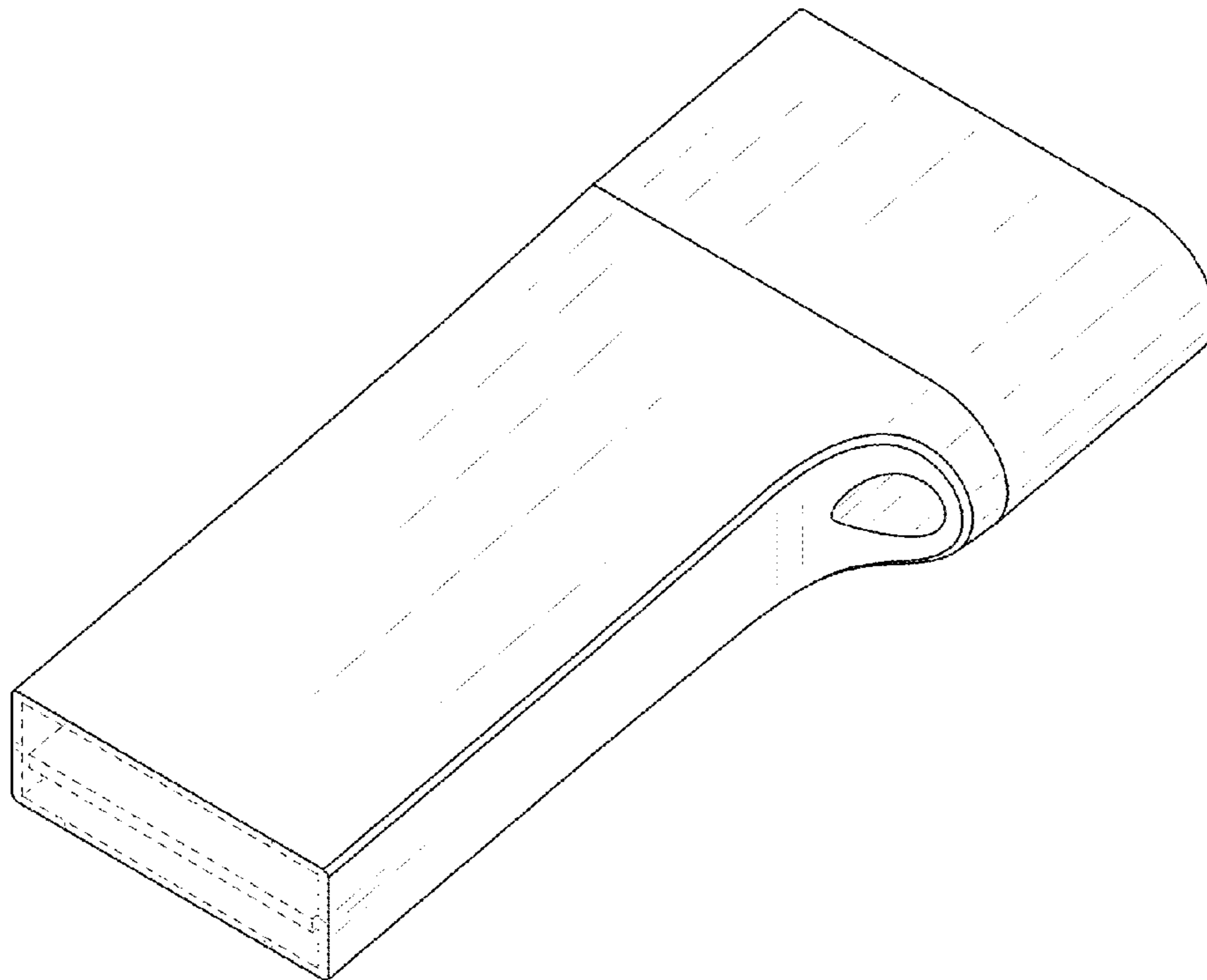


FIG. 2

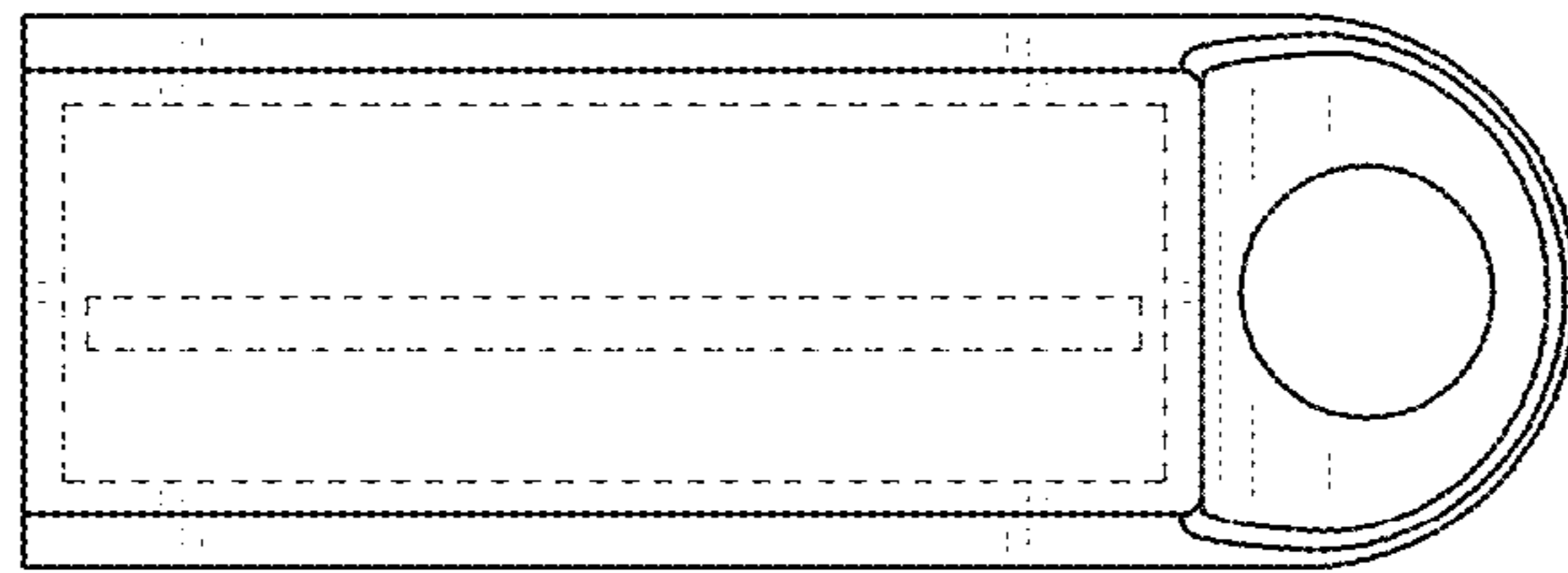


FIG. 3

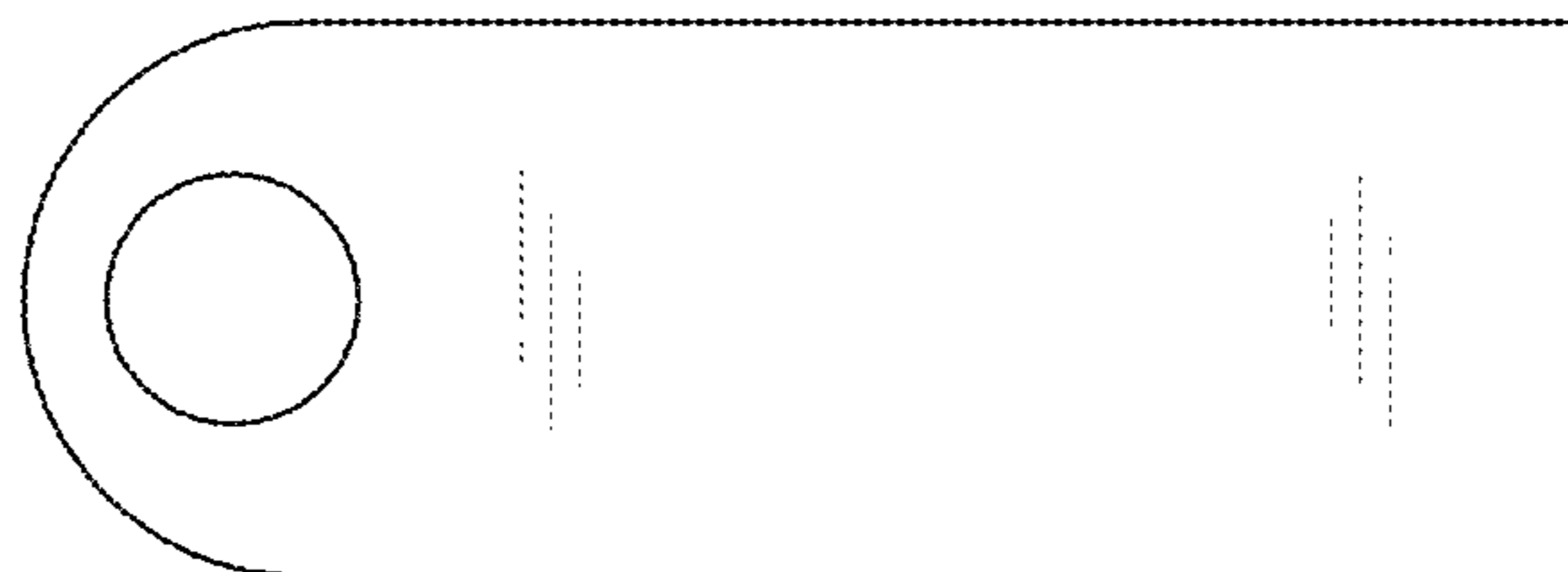


FIG. 4

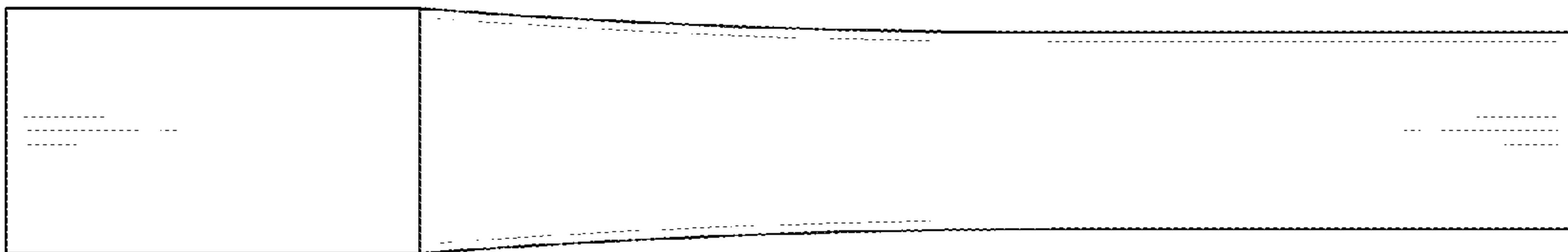


FIG. 5

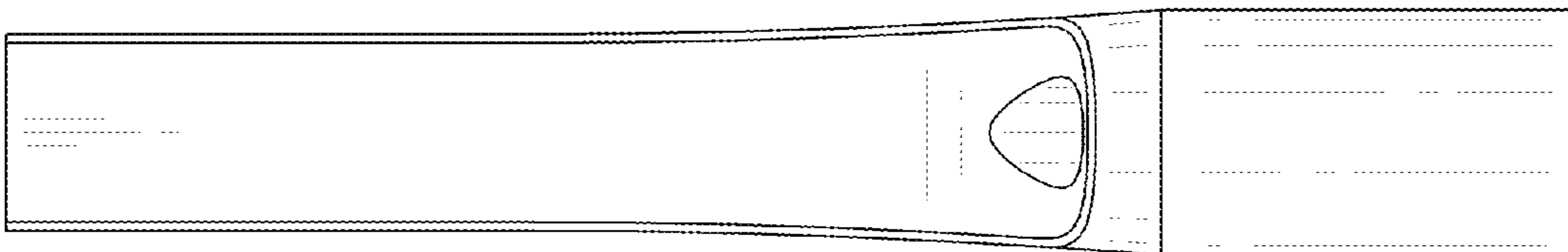


FIG. 6

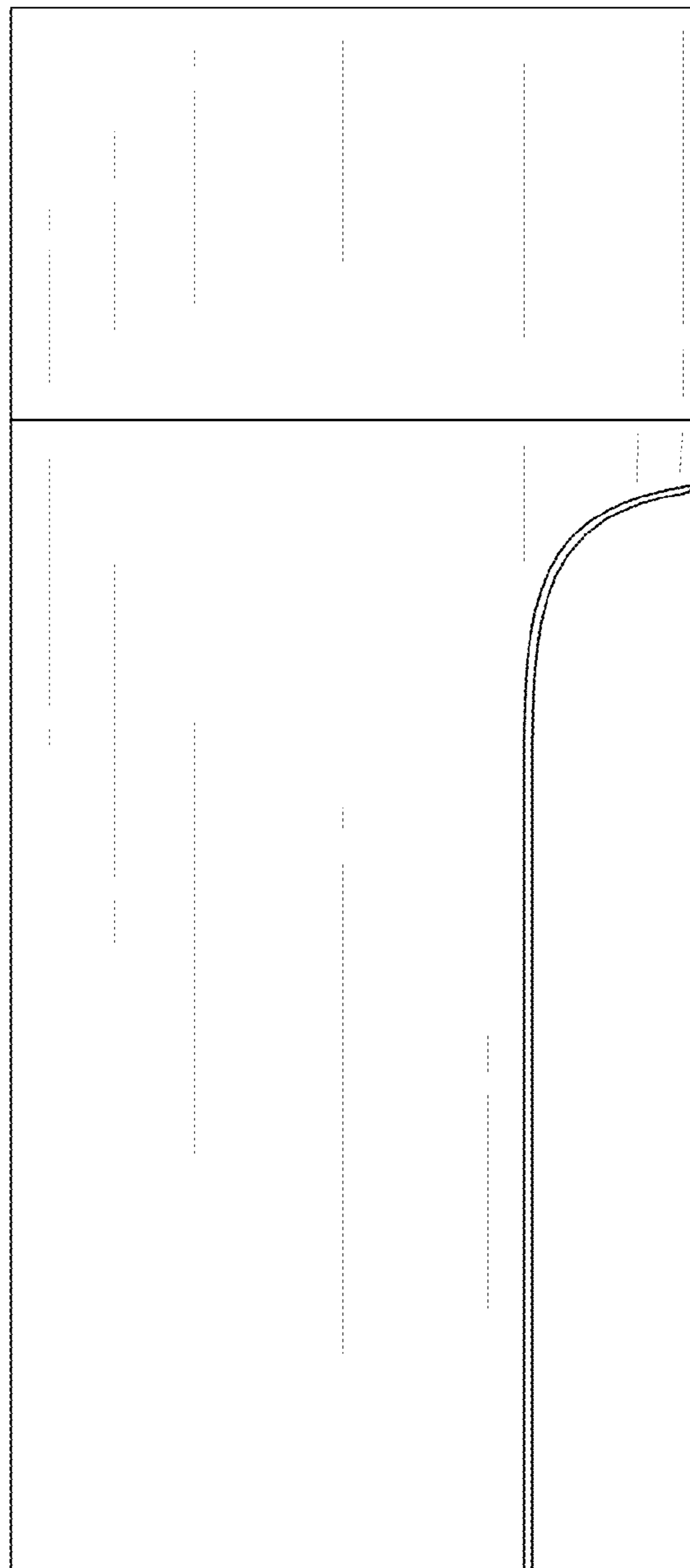


FIG. 7

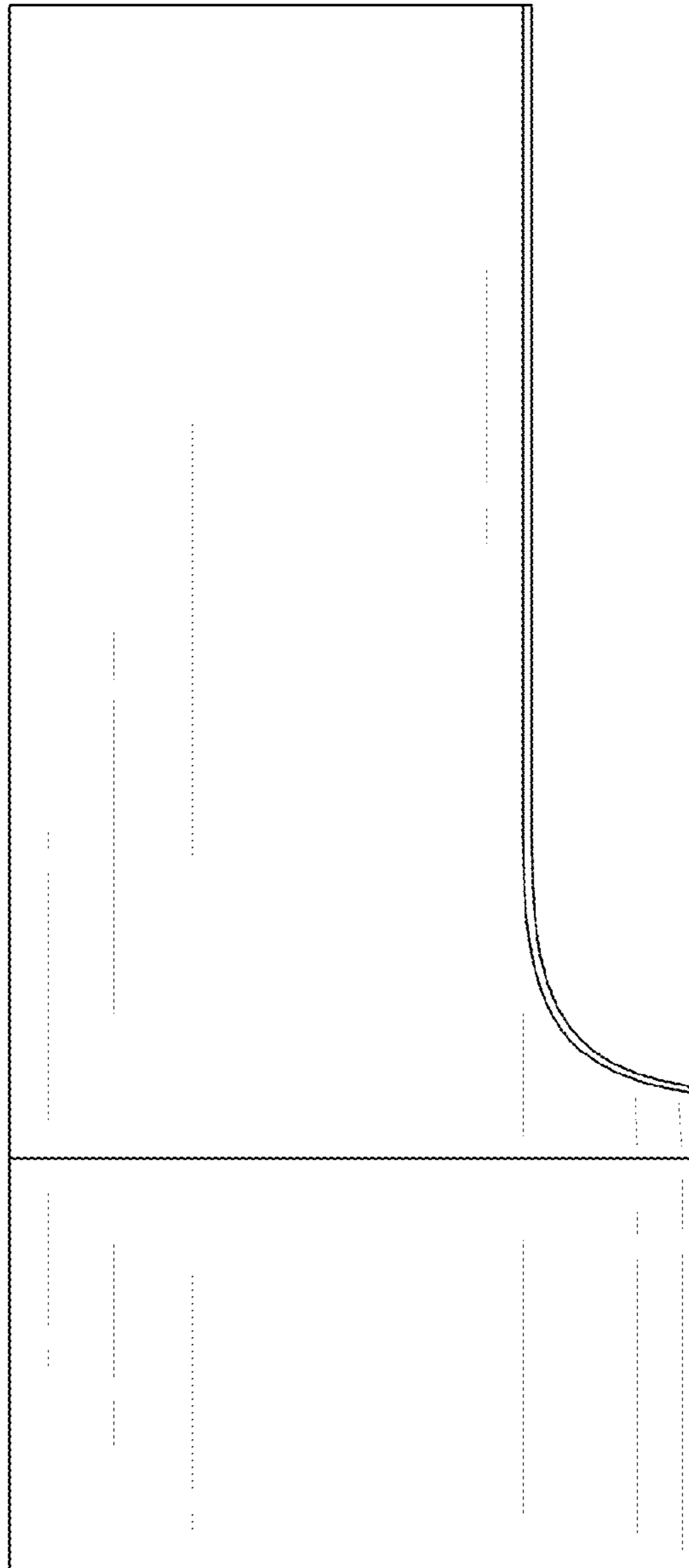


FIG. 8

