



US00D771057S

(12) **United States Design Patent**  
**Wurts et al.**

(10) **Patent No.:** **US D771,057 S**

(45) **Date of Patent:** **\*\* Nov. 8, 2016**

(54) **DONGLE**

(71) Applicant: **Fieldpiece Instruments, Inc.**, Anaheim, CA (US)

(72) Inventors: **Adolfo Jose Wurts**, Orange, CA (US);  
**Jason Corbett Gilley**, Hacienda Heights, CA (US)

(73) Assignee: **FIELDPIECE INSTRUMENTS, INC.**, Orange, CA (US)

(\*\*) Term: **14 Years**

(21) Appl. No.: **29/492,433**

(22) Filed: **May 30, 2014**

(51) **LOC (10) Cl.** ..... **14-03**

(52) **U.S. Cl.**  
USPC ..... **D14/480.1**

(58) **Field of Classification Search**  
USPC ..... D14/435.1, 480.1-480.7, 411, 433, 436,  
D14/484.1, 137, 155, 203.1-203.8, 240,  
D14/242; D13/133, 154  
CPC ..... H05K 5/0278; G06K 19/07732  
See application file for complete search history.

(56) **References Cited**

**U.S. PATENT DOCUMENTS**

D447,482 S \* 9/2001 Lin ..... D14/385  
D491,144 S \* 6/2004 Jiang ..... D14/435.1

D494,969 S \* 8/2004 Lin ..... D14/480.7  
D502,166 S \* 2/2005 Nakamura ..... D14/480.5  
D534,448 S \* 1/2007 Shaffer, II ..... D10/104.1  
D535,993 S \* 1/2007 Ueda ..... D14/480.7  
D601,142 S \* 9/2009 Lindley ..... D14/240  
D624,085 S \* 9/2010 Gilbert ..... D14/242  
D634,326 S \* 3/2011 Gehrke ..... D14/435.1  
D711,390 S \* 8/2014 Sun ..... D14/480.6  
2007/0111583 A1 \* 5/2007 Cuellar ..... H01R 13/447  
439/353  
2012/0008272 A1 \* 1/2012 Lu ..... H05K 5/0278  
361/679.32  
2013/0190047 A1 \* 7/2013 Roberts, Jr. .... H05K 5/0278  
455/557

\* cited by examiner

*Primary Examiner* — Angela J Lee

(57) **CLAIM**

The ornamental design for a dongle, as shown and described.

**DESCRIPTION**

FIG. 1 is a top plan view of our new design.  
FIG. 2 is a left side view thereof;  
FIG. 3 is a right side elevation view thereof;  
FIG. 4 is a front elevation view thereof;  
FIG. 5 is a rear elevation view thereof;  
FIG. 6 is a bottom plan view thereof; and,  
FIG. 7 is a perspective view showing the top, front and right sides thereof.

**1 Claim, 2 Drawing Sheets**

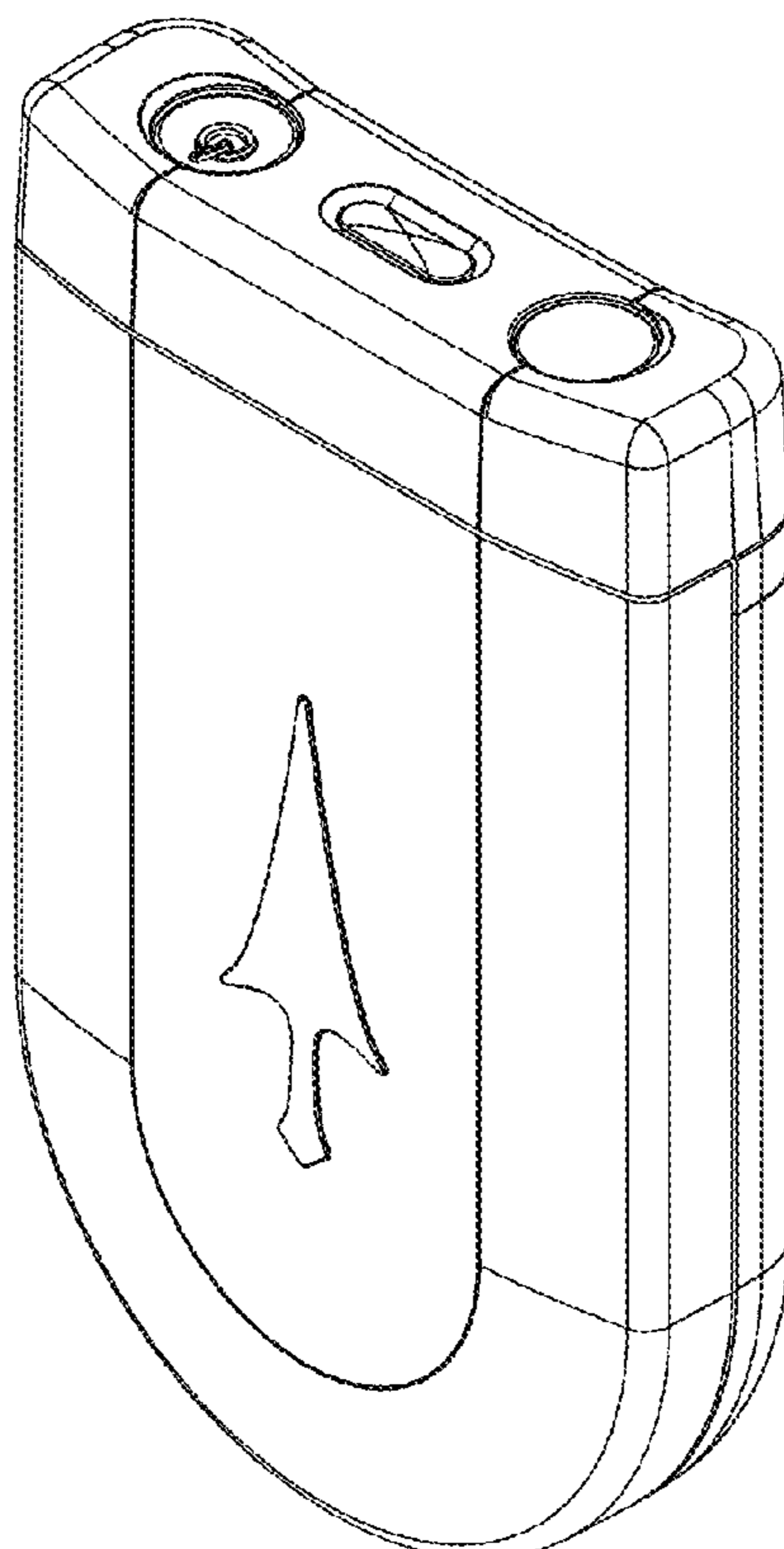


FIG. 5

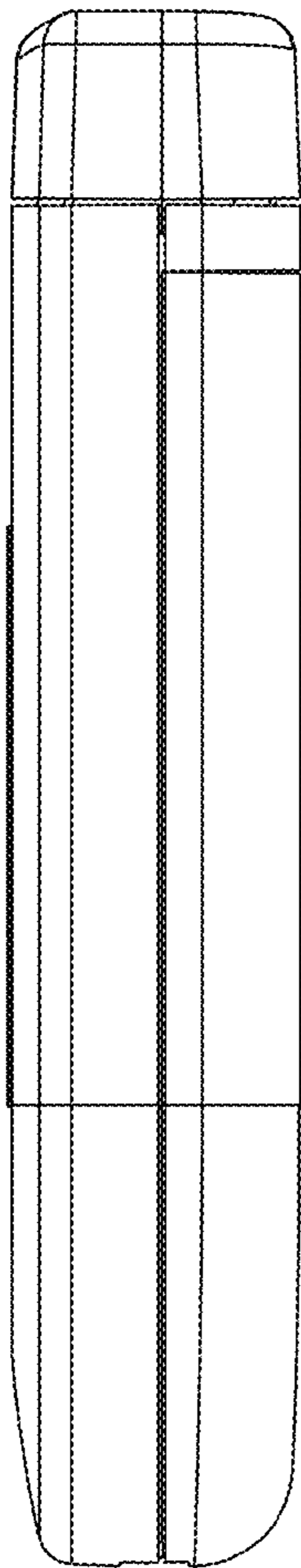
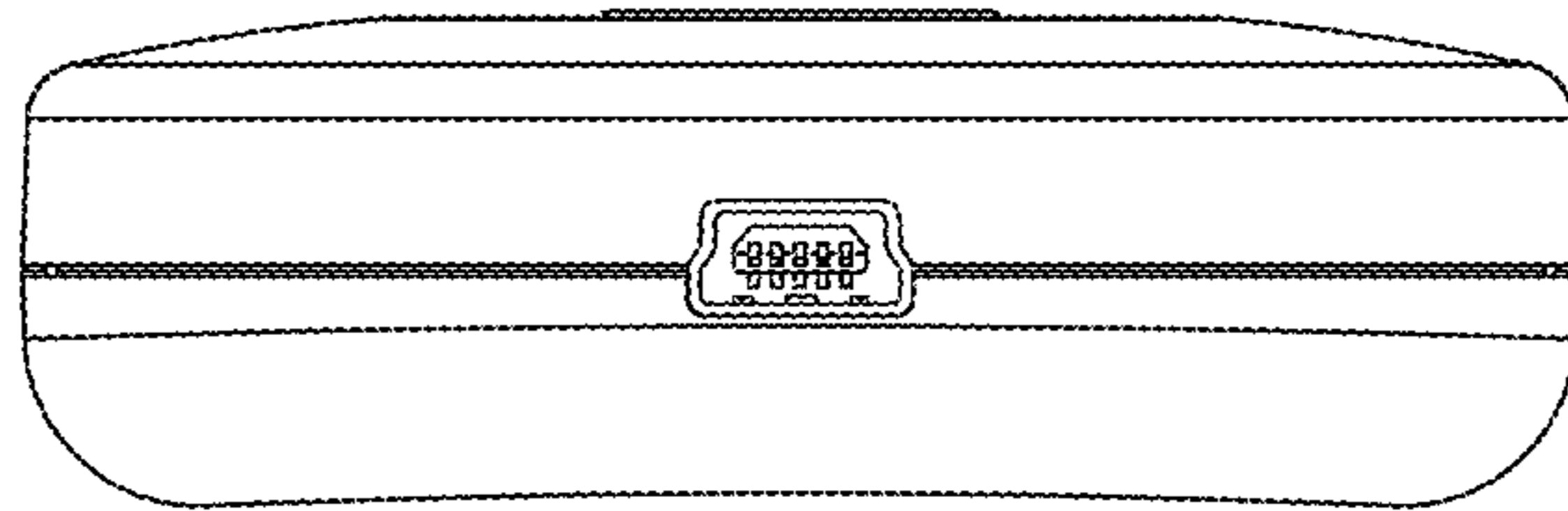


FIG. 2

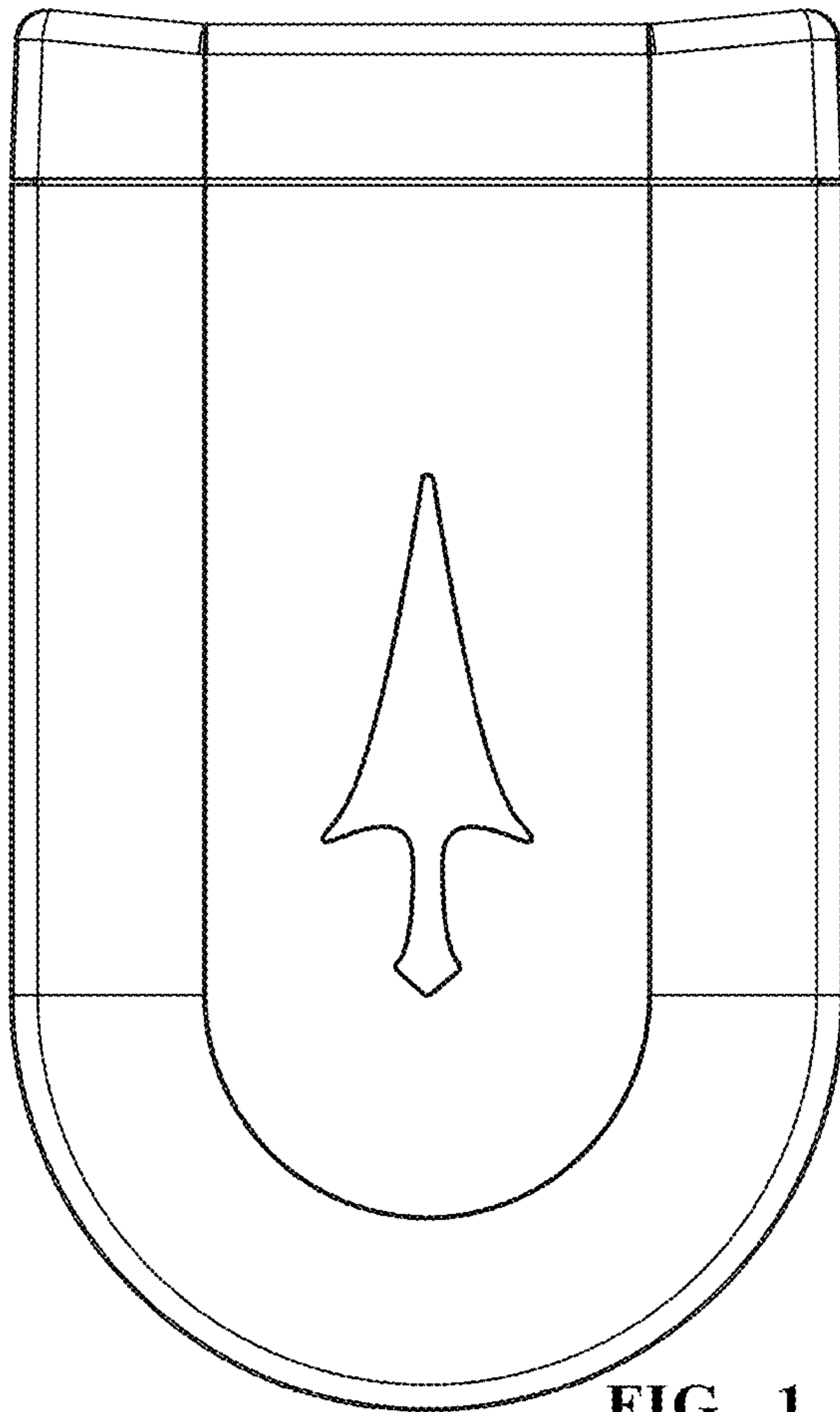


FIG. 1

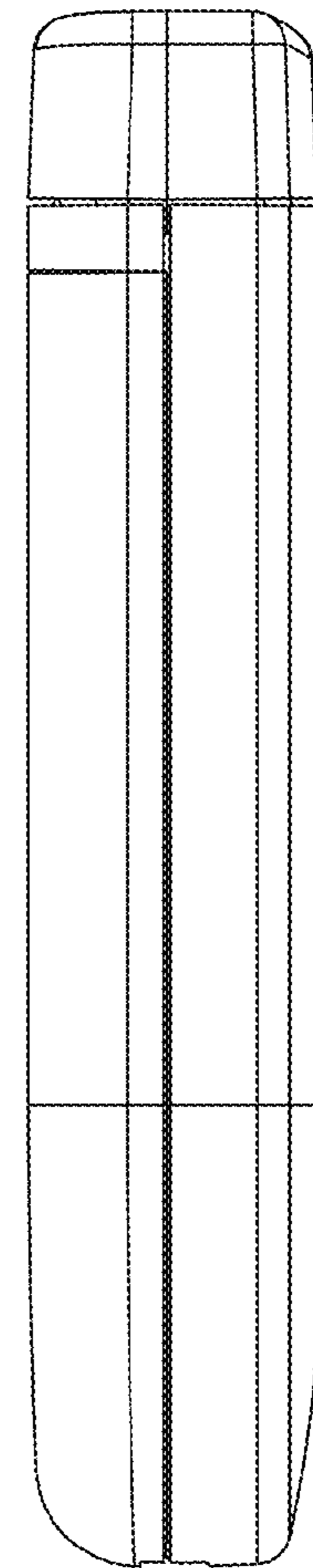


FIG. 3

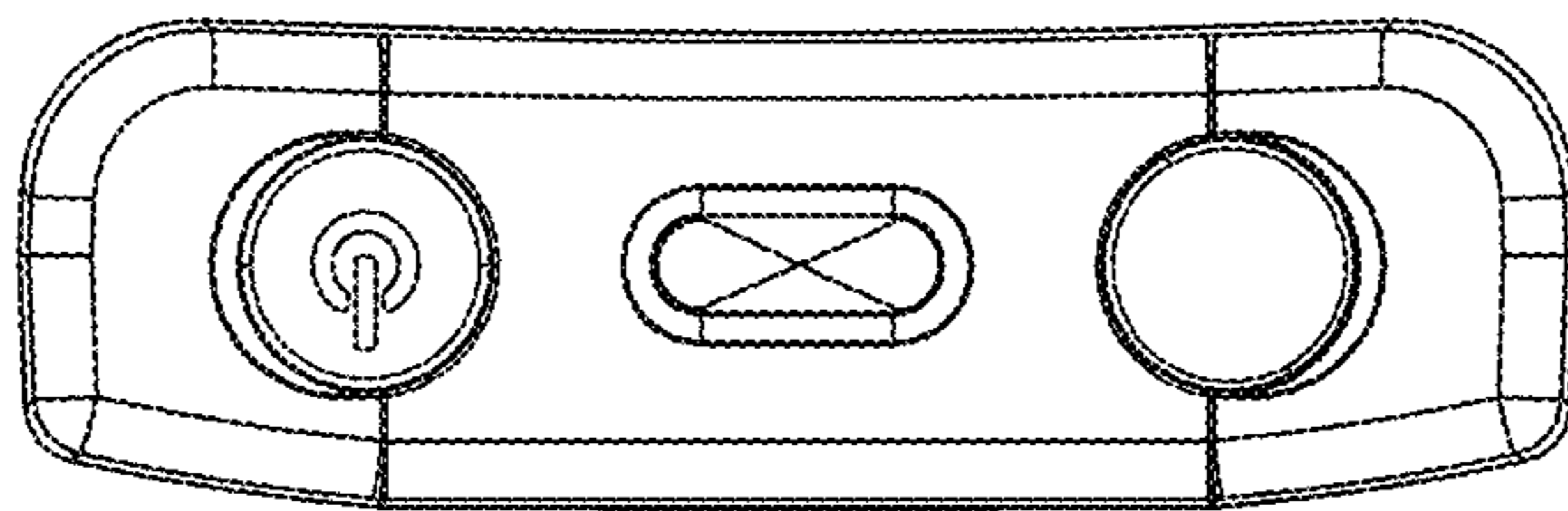


FIG. 4

FIG. 6

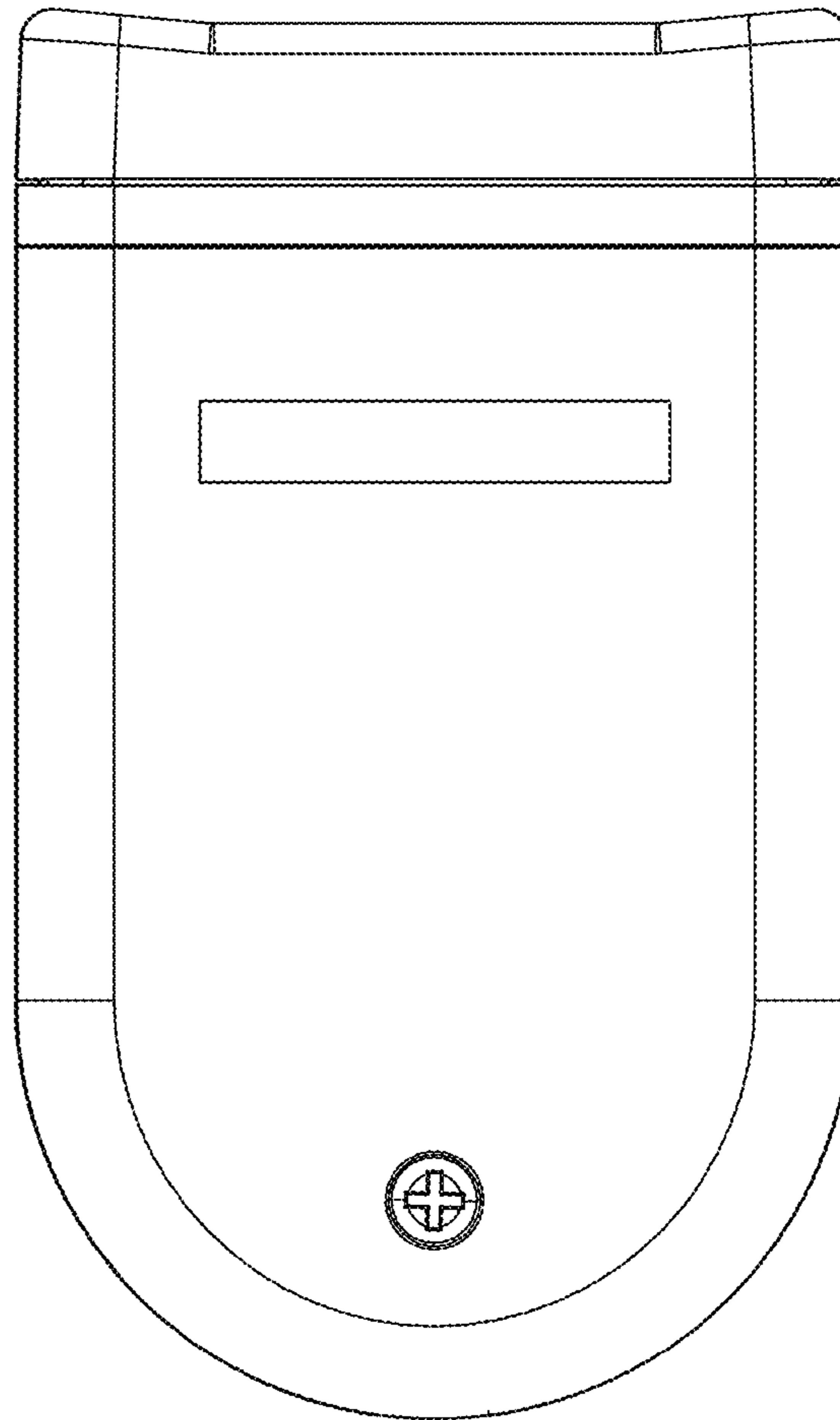
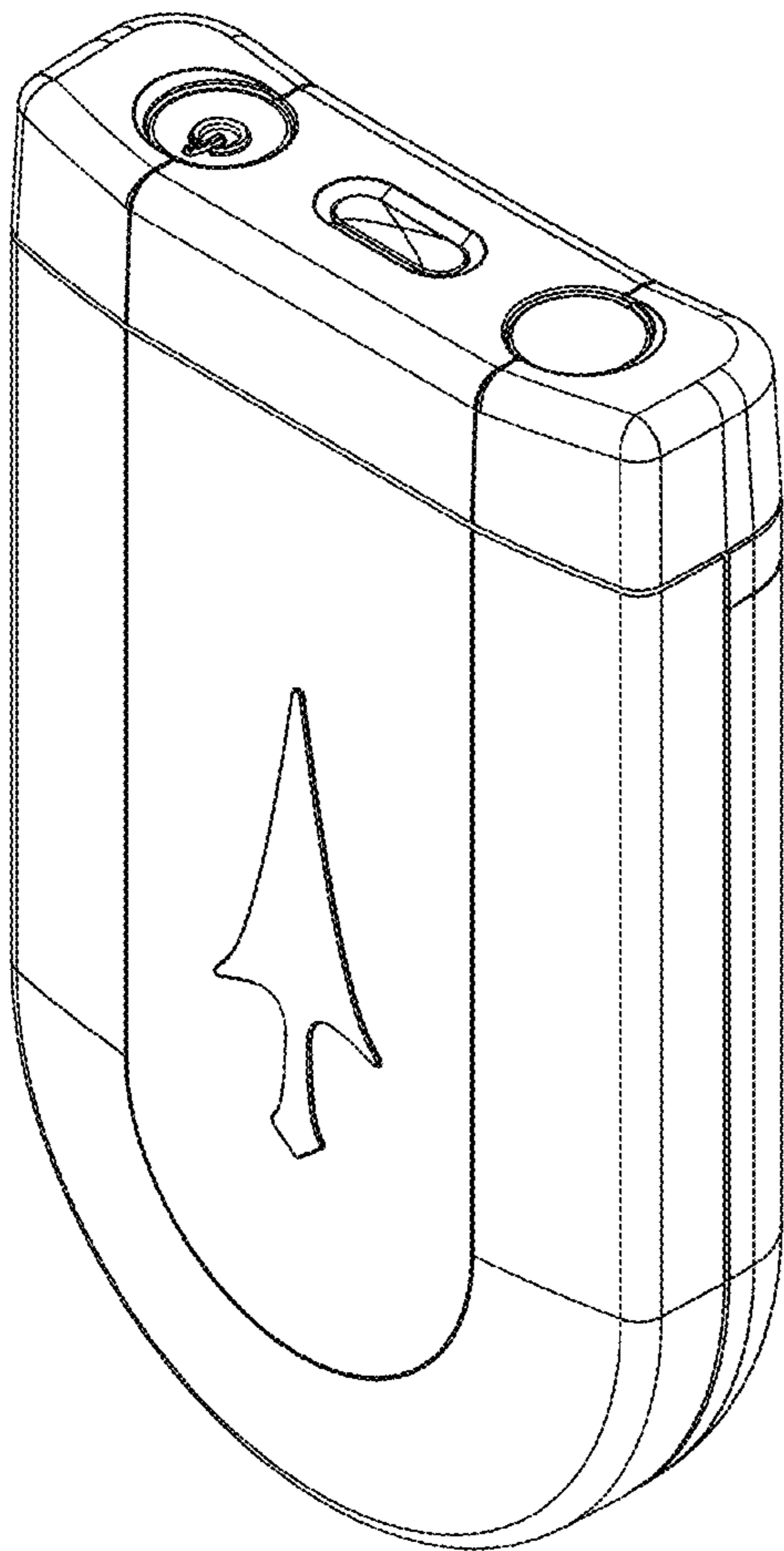


FIG. 7