



US00D771056S

(12) **United States Design Patent** (10) **Patent No.:** **US D771,056 S**
van Bergen (45) **Date of Patent:** **** Nov. 8, 2016**

(54) **TABLET STAND**
(71) Applicant: **InVue Security Products Inc.**,
Charlotte, NC (US)
(72) Inventor: **Erik L. van Bergen**, Waxhaw, NC
(US)
(73) Assignee: **InVue Security Products Inc.**,
Charlotte, NC (US)

D554,116 S * 10/2007 Liu D13/108
D624,919 S * 10/2010 Bull D14/434
D643,430 S * 8/2011 Nuovo D14/434
D655,293 S * 3/2012 Gioscia D14/434
D695,747 S * 12/2013 Hobbs D14/447
D709,066 S * 7/2014 Byun D14/253
D722,317 S * 2/2015 Parameshwara D14/447
D733,116 S * 6/2015 Aspinall D14/253
D746,288 S * 12/2015 Mathis D14/432
D750,515 S * 3/2016 Ditges D10/74
D752,595 S * 3/2016 Heckler D14/447

* cited by examiner

(**) Term: **15 Years**

(21) Appl. No.: **29/536,903**

(22) Filed: **Aug. 20, 2015**

(51) **LOC (10) Cl.** **08-07**

(52) **U.S. Cl.**
USPC **D14/447**

(58) **Field of Classification Search**
USPC D14/447, 432, 434, 439, 440, 451, 452,
D14/457, 250, 251, 253; D3/218; D6/406.3,
D6/406.4, 406.5, 406.6
CPC A45C 2011/003; A45C 2011/002;
A45C 13/002; A47B 2023/049; A47B
2097/005; A47B 2097/006; A47B 21/04;
A47B 23/00; A47B 23/043; A47B
2021/0307; A47B 2023/005; F16M 2200/00;
H04B 1/3888; H04M 1/185; H04M 1/04
See application file for complete search history.

(56) **References Cited**

U.S. PATENT DOCUMENTS

D471,906 S * 3/2003 Salazar D13/108
D494,182 S * 8/2004 Singer D14/447

Primary Examiner — Angela J Lee

(74) *Attorney, Agent, or Firm* — InVue Security Products
Inc.

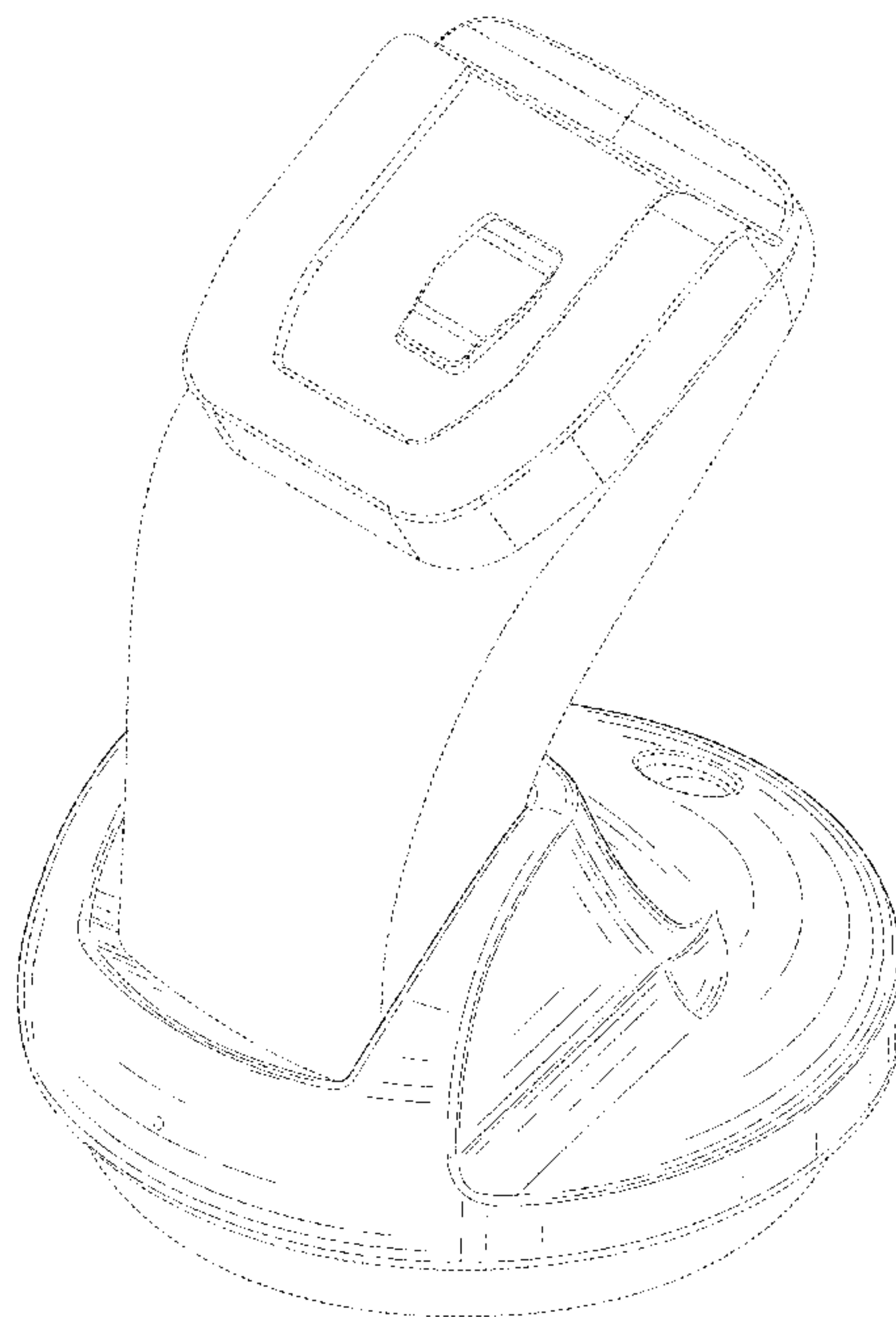
(57) **CLAIM**

The ornamental design for a tablet stand, as shown and
described.

DESCRIPTION

FIG. 1 is a perspective view of a tablet stand showing my
design;
FIG. 2 is a front view thereof;
FIG. 3 is a right side thereof;
FIG. 4 is left side view thereof;
FIG. 5 is rear view thereof;
FIG. 6 is a bottom view thereof; and,
FIG. 7 is a top view thereof.
The broken lines are directed to environment and are for
illustrative purposes only. The broken lines form no part of
the claimed design.

1 Claim, 7 Drawing Sheets



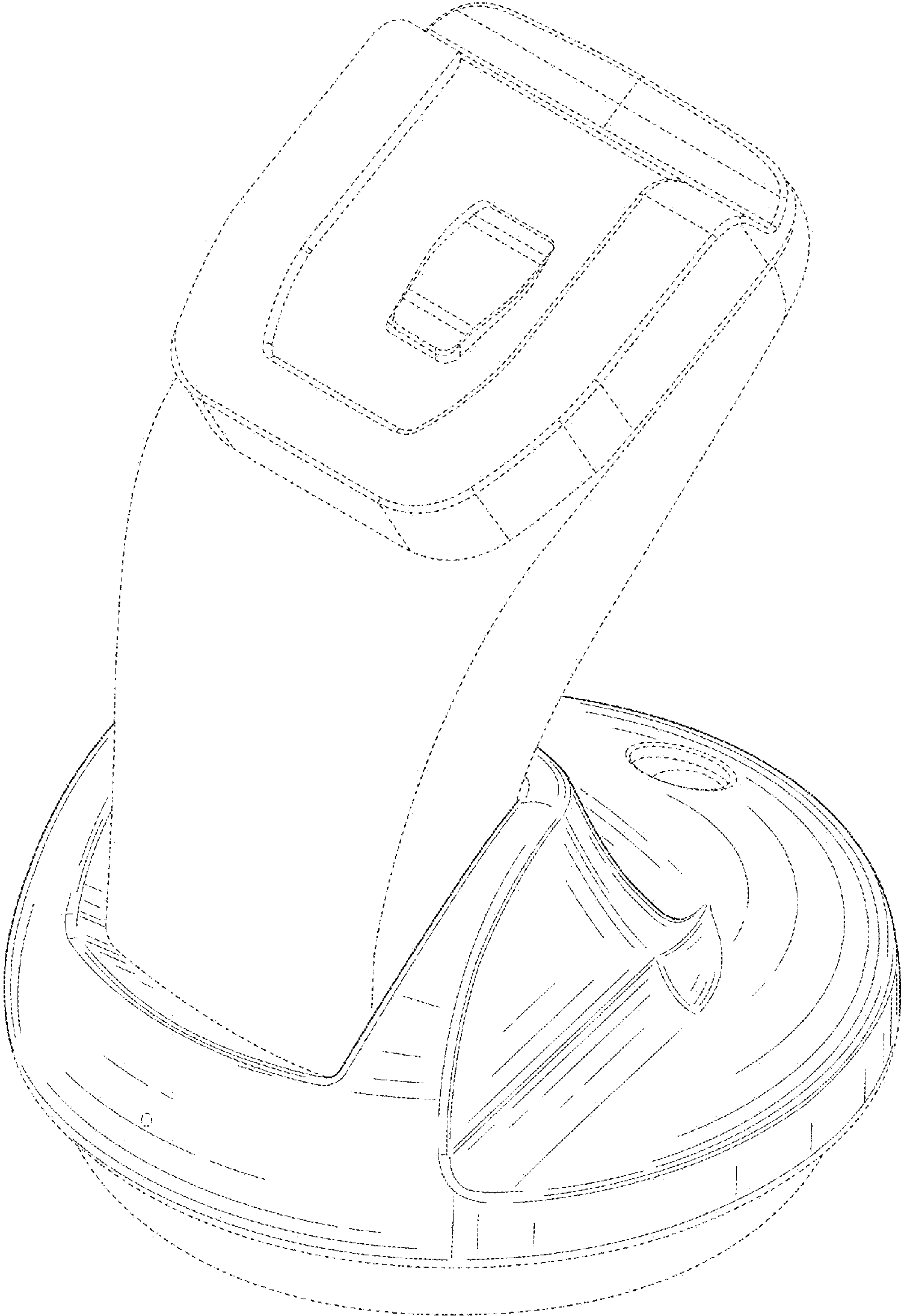


FIG. 1

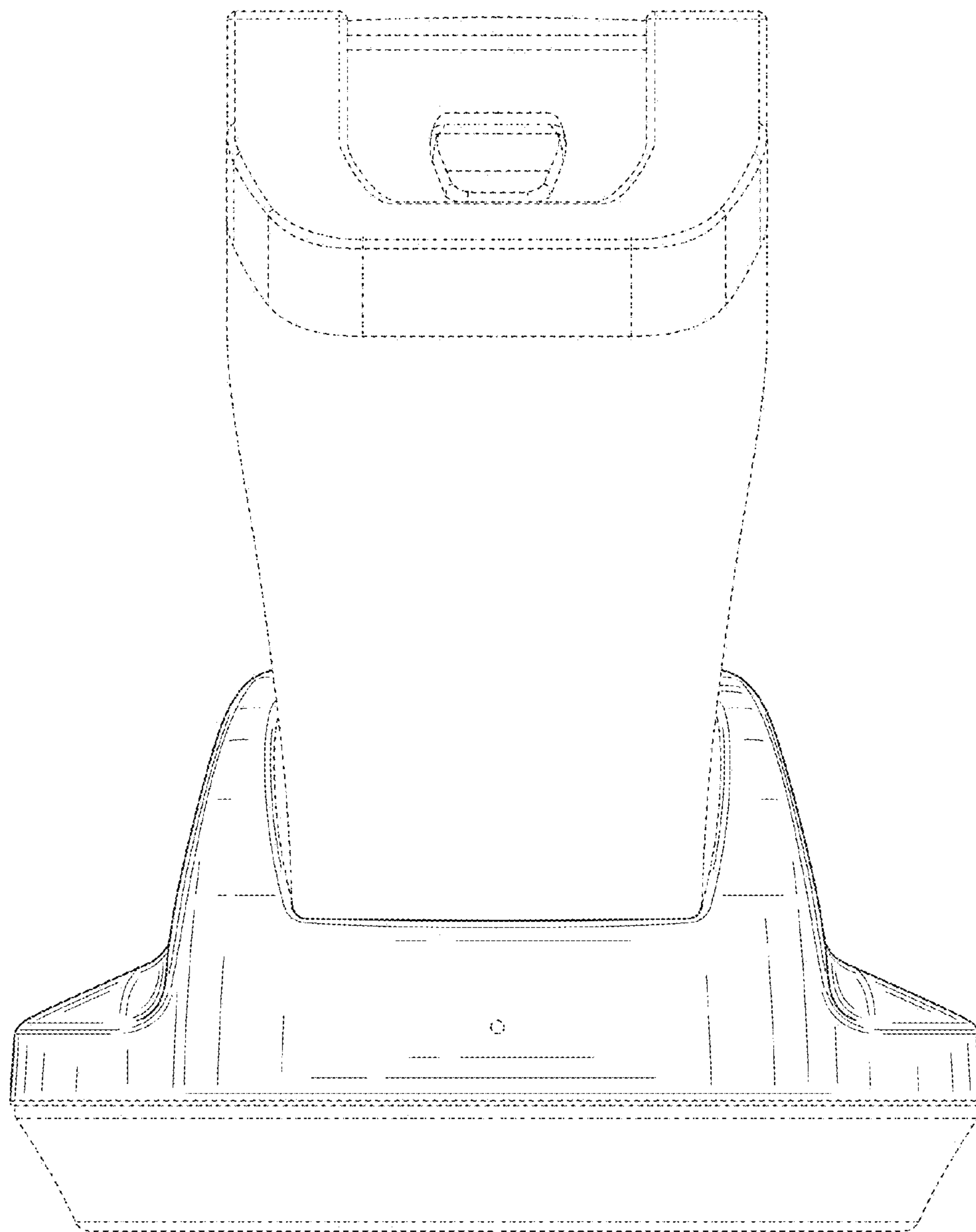


FIG. 2

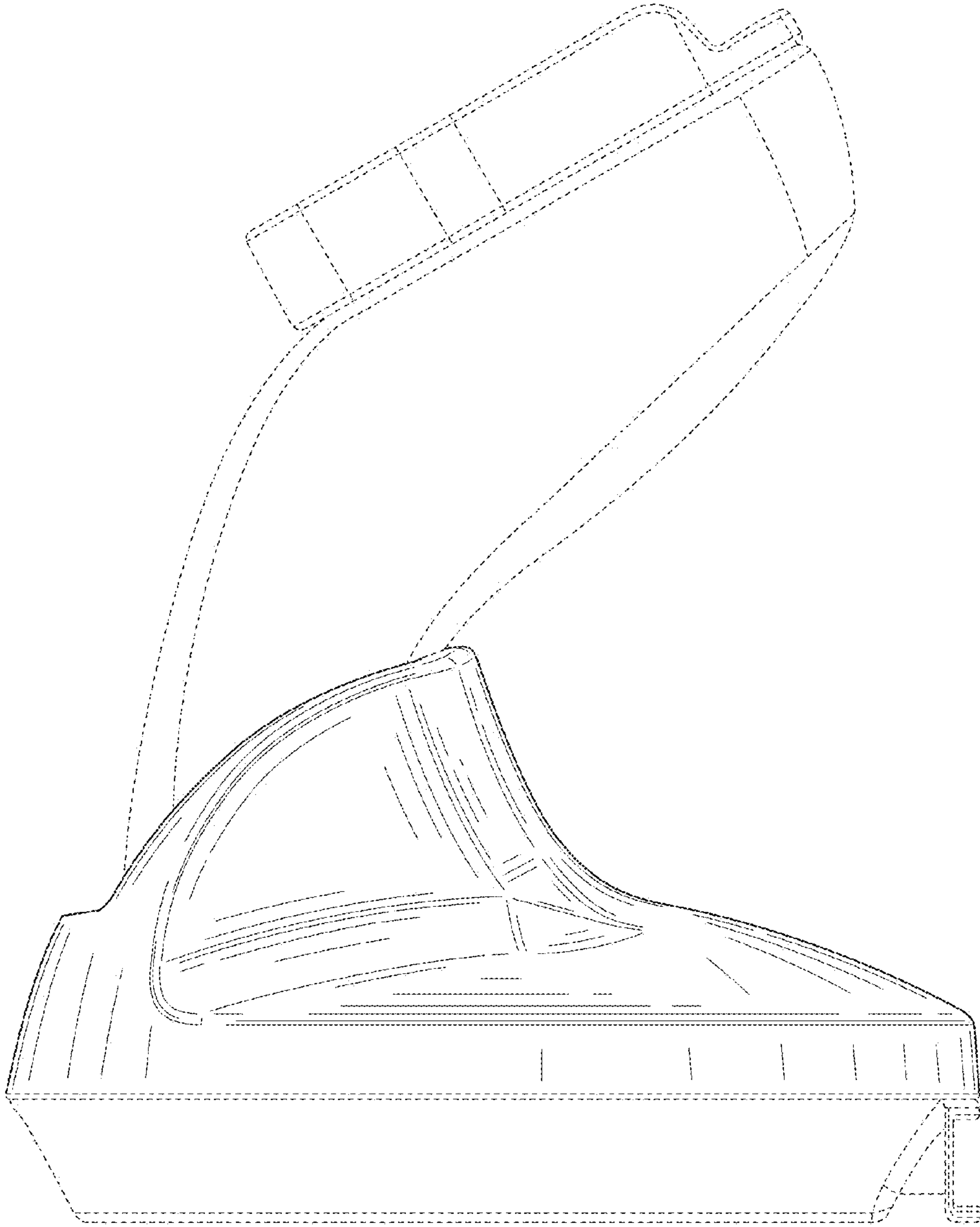


FIG. 3

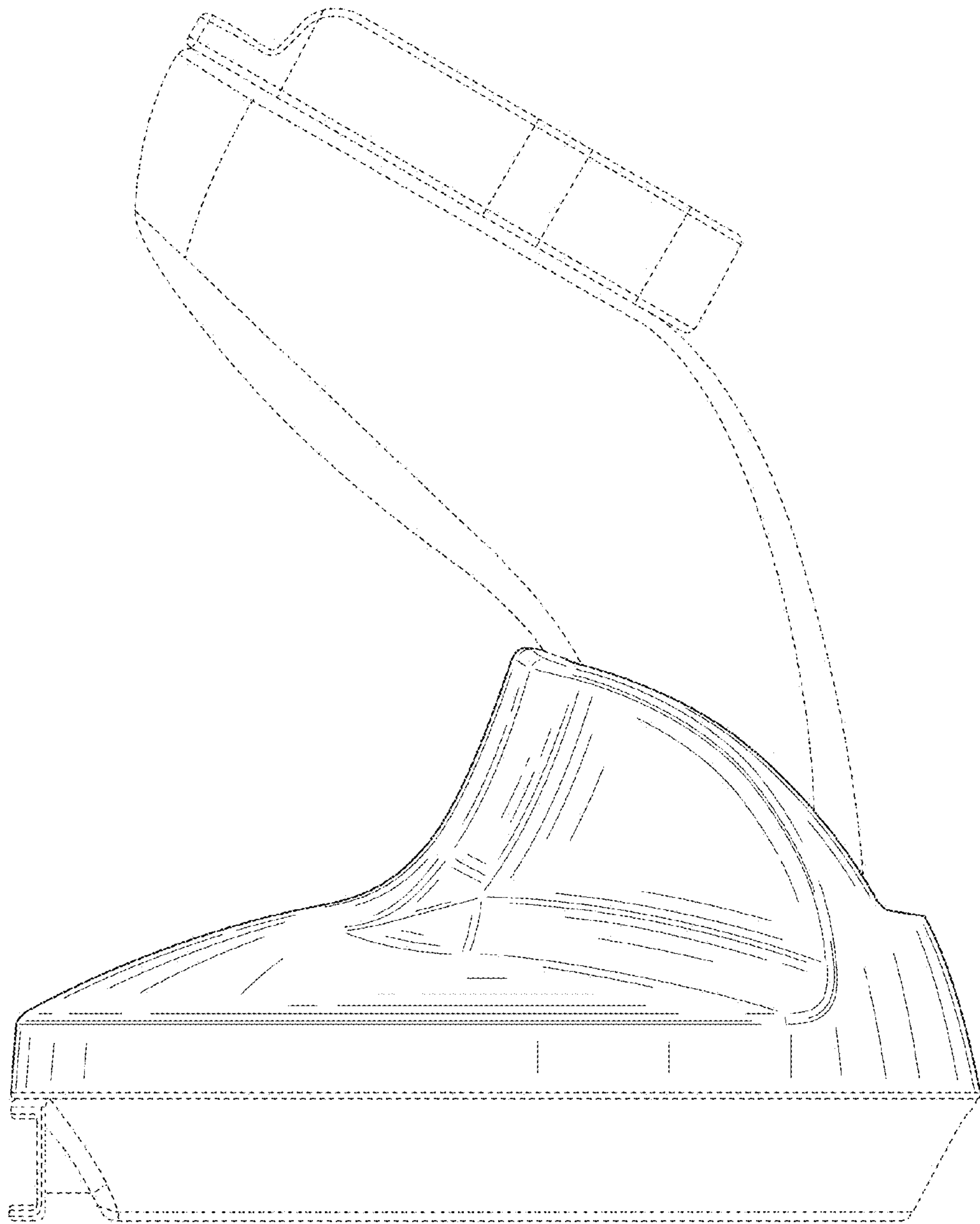


FIG. 4

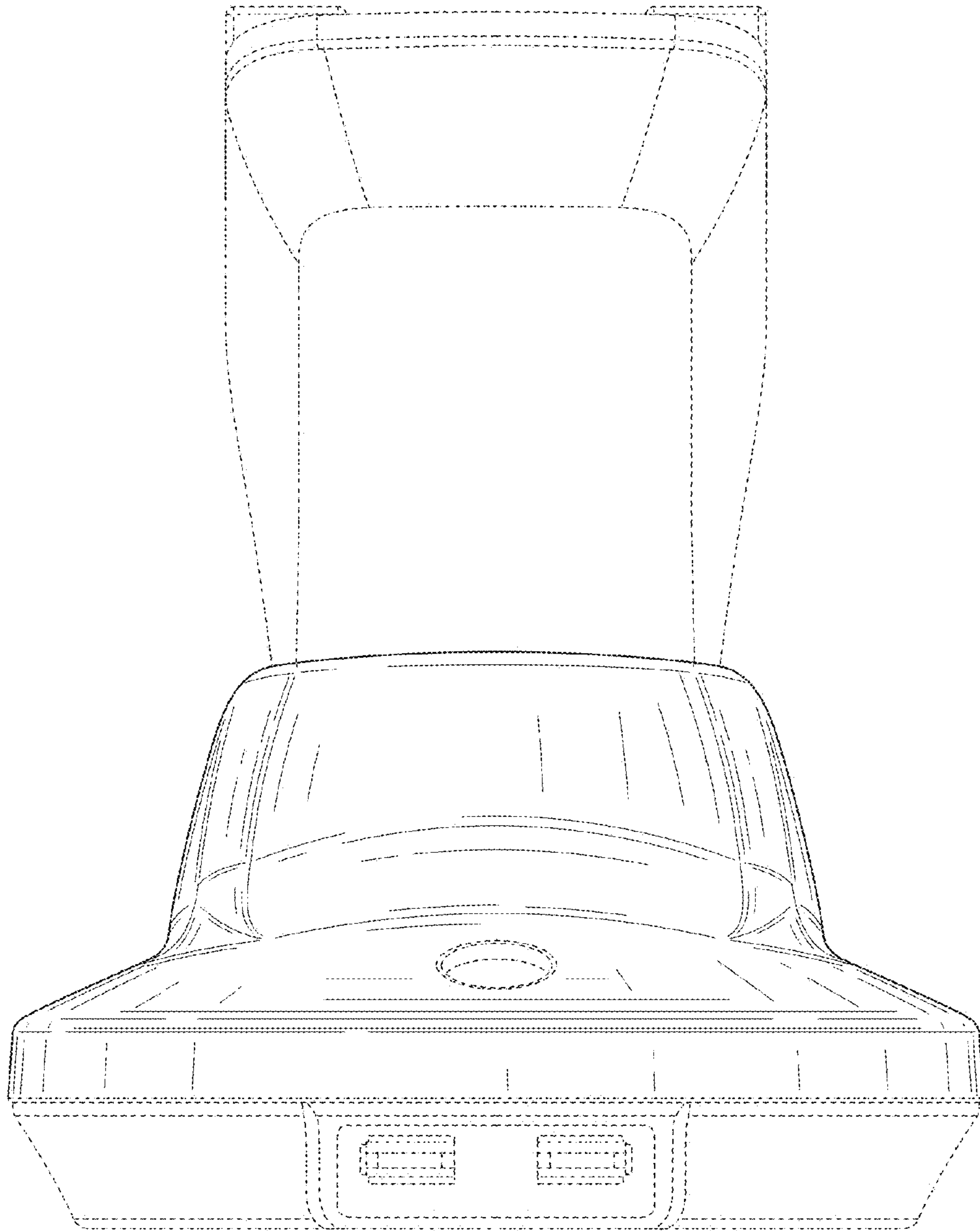


FIG. 5

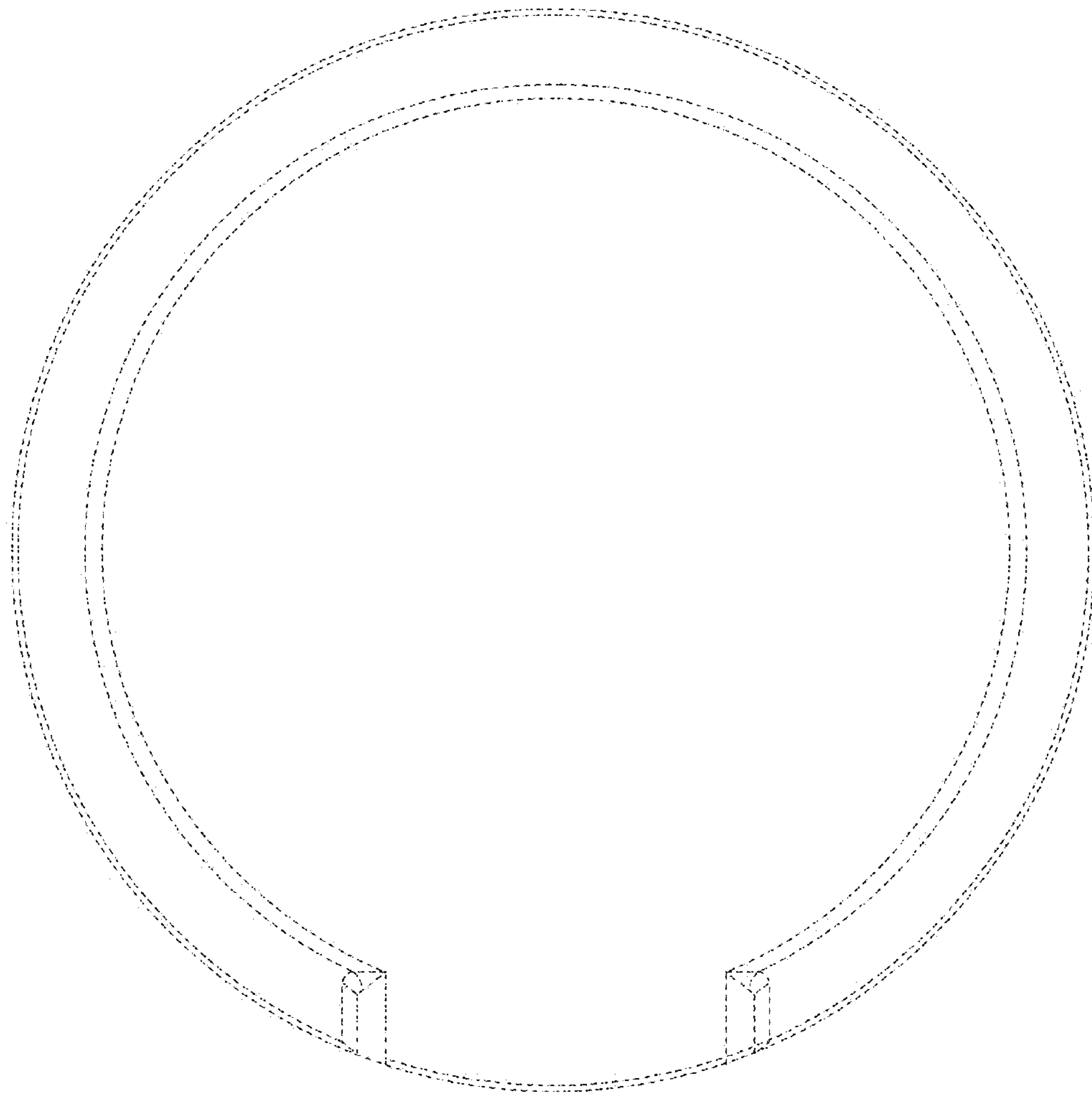


FIG. 6

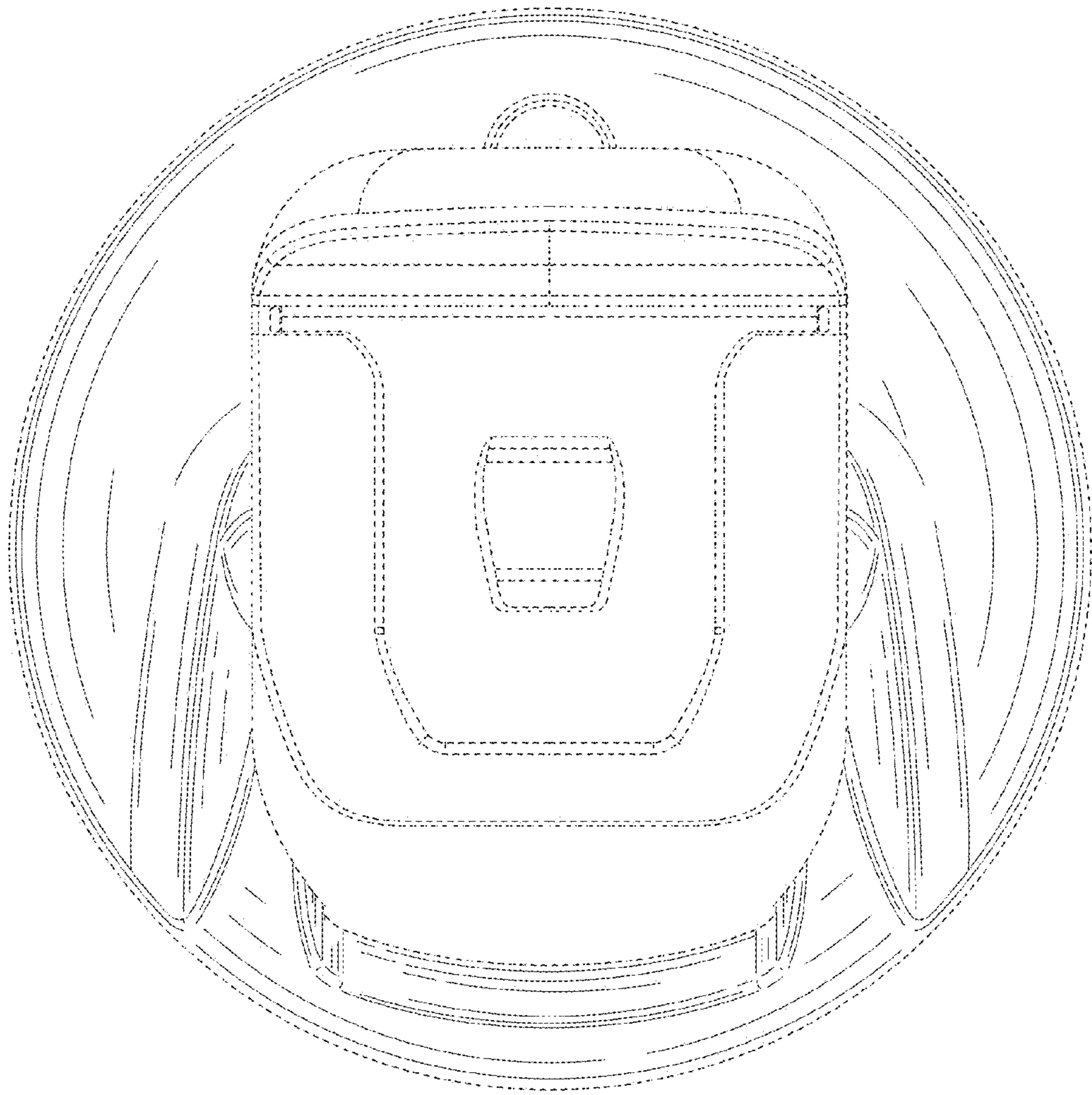


FIG. 7