



US00D771055S

(12) **United States Design Patent** (10) **Patent No.:** **US D771,055 S**  
**Sharma et al.** (45) **Date of Patent:** **\*\* Nov. 8, 2016**

- (54) **DISPLAY POSITIONING DEVICE**
- (71) Applicant: **Tangible Play, Inc.**, San Jose, CA (US)
- (72) Inventors: **Pramod Kumar Sharma**, San Jose, CA (US); **Jerome Scholler**, San Francisco, CA (US)
- (73) Assignee: **Tangible Play, Inc.**, San Jose, CA (US)
- (\*\*) Term: **14 Years**
- (21) Appl. No.: **29/520,176**
- (22) Filed: **Mar. 11, 2015**
- (51) **LOC (10) Cl.** ..... **08-07**
- (52) **U.S. Cl.**  
 USPC ..... **D14/447**
- (58) **Field of Classification Search**  
 USPC ..... D14/447, 432, 434, 439, 440, 451, 452, D14/457, 250, 251, 253; D3/218; D6/406.3, D6/406.4, 406.5, 406.6  
 CPC ..... A45C 2011/003; A45C 2011/002; A45C 13/002; A47B 2023/049; A47B 2097/005; A47B 2097/006; A47B 21/04; A47B 23/00; A47B 23/043; A47B 2021/0307; A47B 2023/005; F16M 2200/00; H04B 1/3888; H04M 1/185; H04M 1/04  
 See application file for complete search history.

(56) **References Cited**

**U.S. PATENT DOCUMENTS**

- D636,395 S \* 4/2011 Anderson ..... D13/107  
 D664,529 S \* 7/2012 Chuang ..... D13/108  
 D670,283 S \* 11/2012 Wikel ..... D14/253  
 D671,543 S \* 11/2012 Sogabe ..... D14/447  
 D672,355 S \* 12/2012 Lee ..... D14/447  
 D672,357 S \* 12/2012 Allen ..... D14/447

- D692,009 S \* 10/2013 Ashida ..... D14/447  
 D693,826 S \* 11/2013 Ashida ..... D14/447  
 D695,747 S \* 12/2013 Hobbs ..... D14/447  
 D712,350 S \* 9/2014 Smith ..... D13/108  
 D722,062 S \* 2/2015 Zwerner ..... D14/447  
 D754,135 S \* 4/2016 Cromack ..... D14/447  
 2014/0153182 A1 \* 6/2014 North ..... G06F 1/1632  
 361/679.41

\* cited by examiner

*Primary Examiner* — Angela J Lee

(74) *Attorney, Agent, or Firm* — Patent Law Works LLP

(57) **CLAIM**

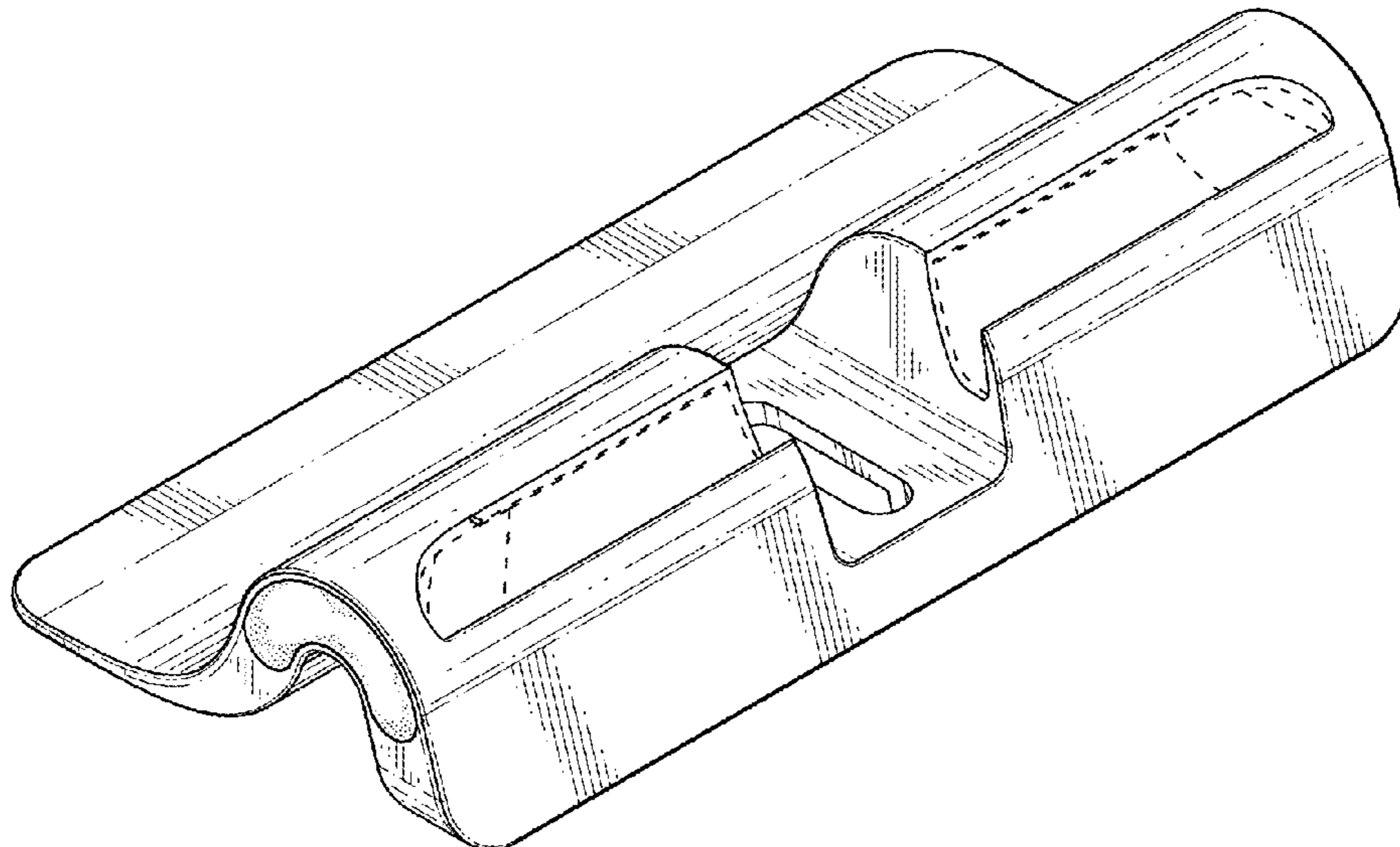
The ornamental design for a display positioning device, as shown and described.

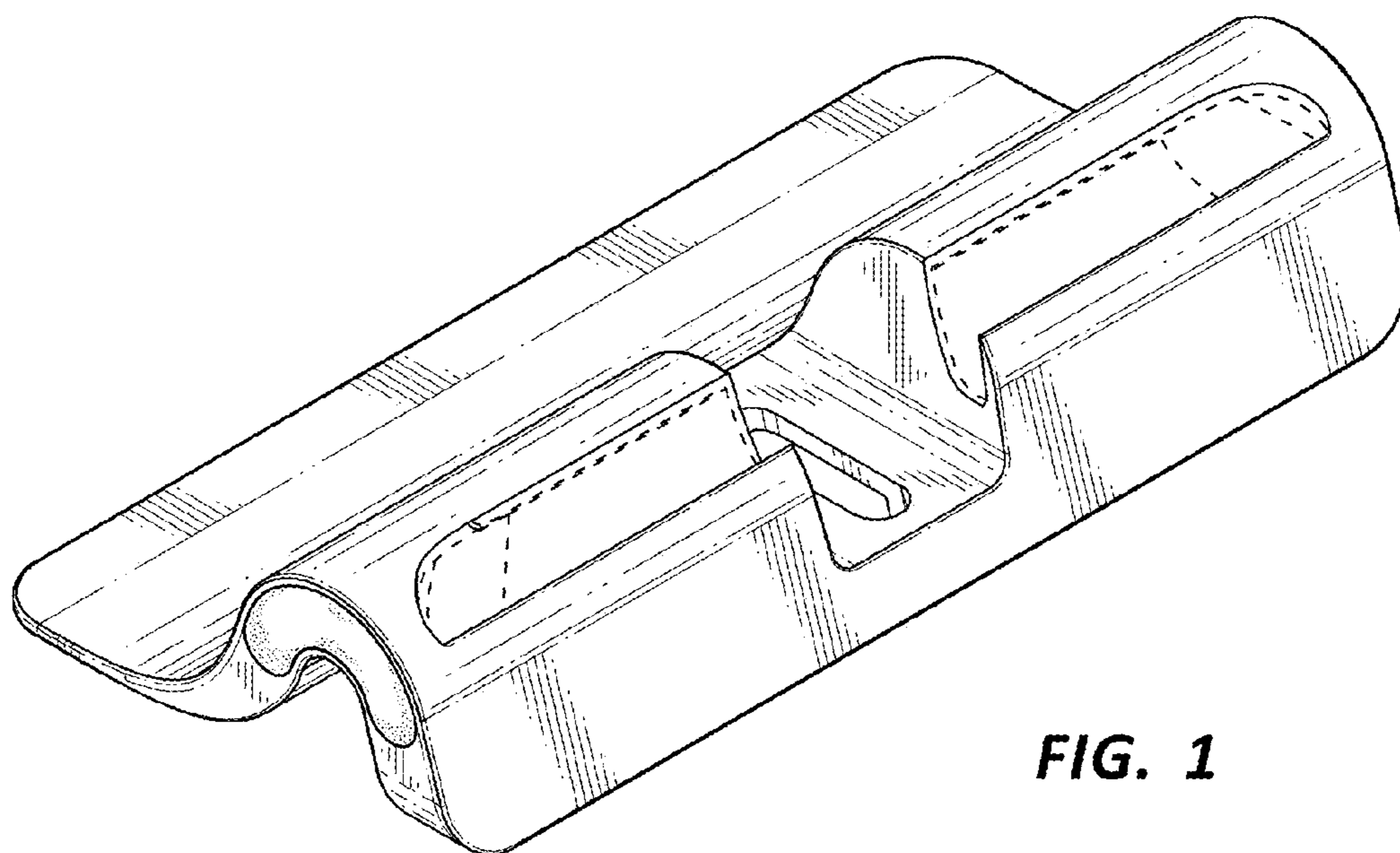
**DESCRIPTION**

FIG. 1 is a top perspective view of a display positioning device showing the new design.  
 FIG. 2 is a bottom perspective view of the display positioning device showing the new design.  
 FIG. 3 is a front view of the display positioning device showing the new design.  
 FIG. 4 is a back view of the display positioning device showing the new design.  
 FIG. 5 is a left side view of the display positioning device showing the new design.  
 FIG. 6 is a right side view of the display positioning device showing the new design.  
 FIG. 7 is a top down view of the display positioning device showing the new design; and,  
 FIG. 8 is a bottom up view of the display positioning device showing the new design.

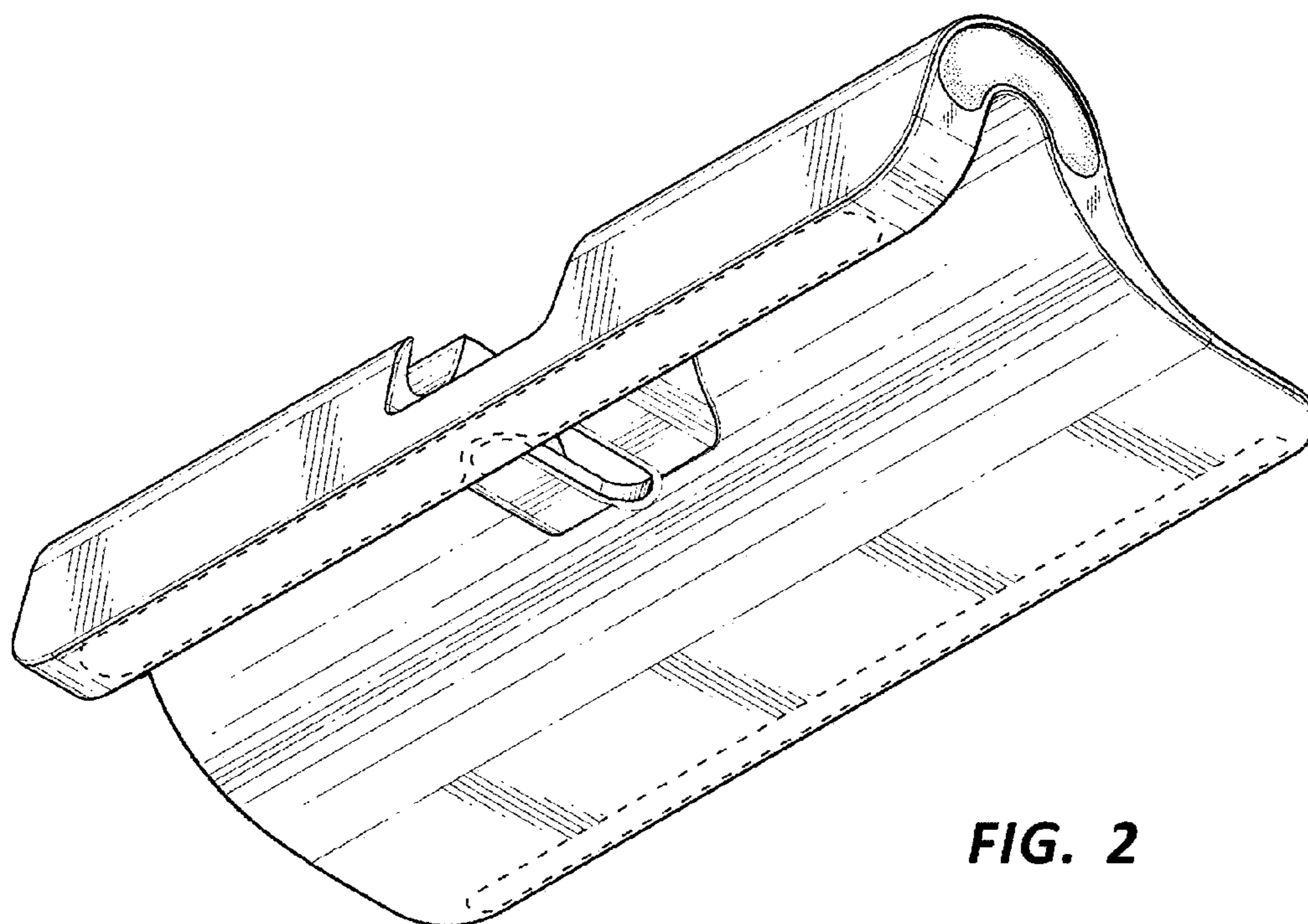
Within the drawings, the dotted lines, the dot-dash lines, and the areas within the dotted or dot-dash lines show unclaimed portions of the display positioning device, and form no part of the claimed design.

**1 Claim, 3 Drawing Sheets**

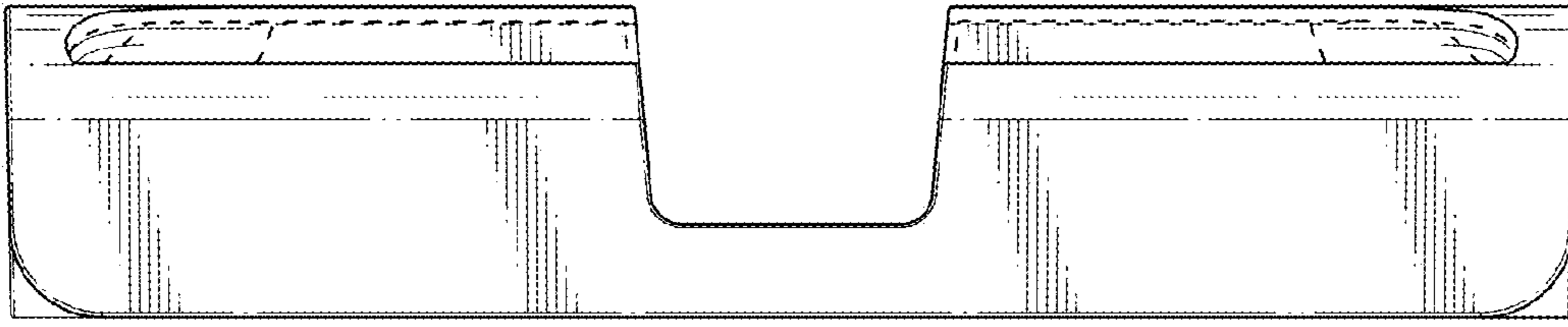




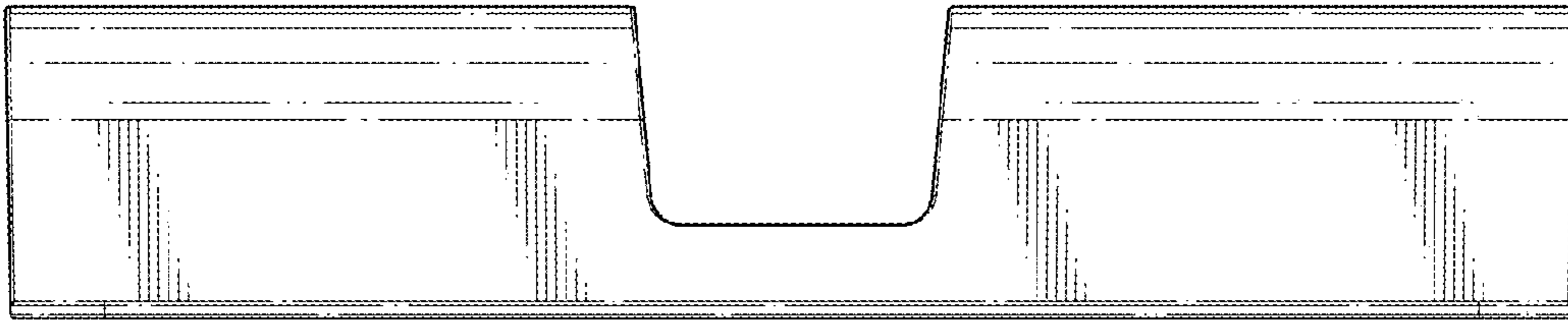
**FIG. 1**



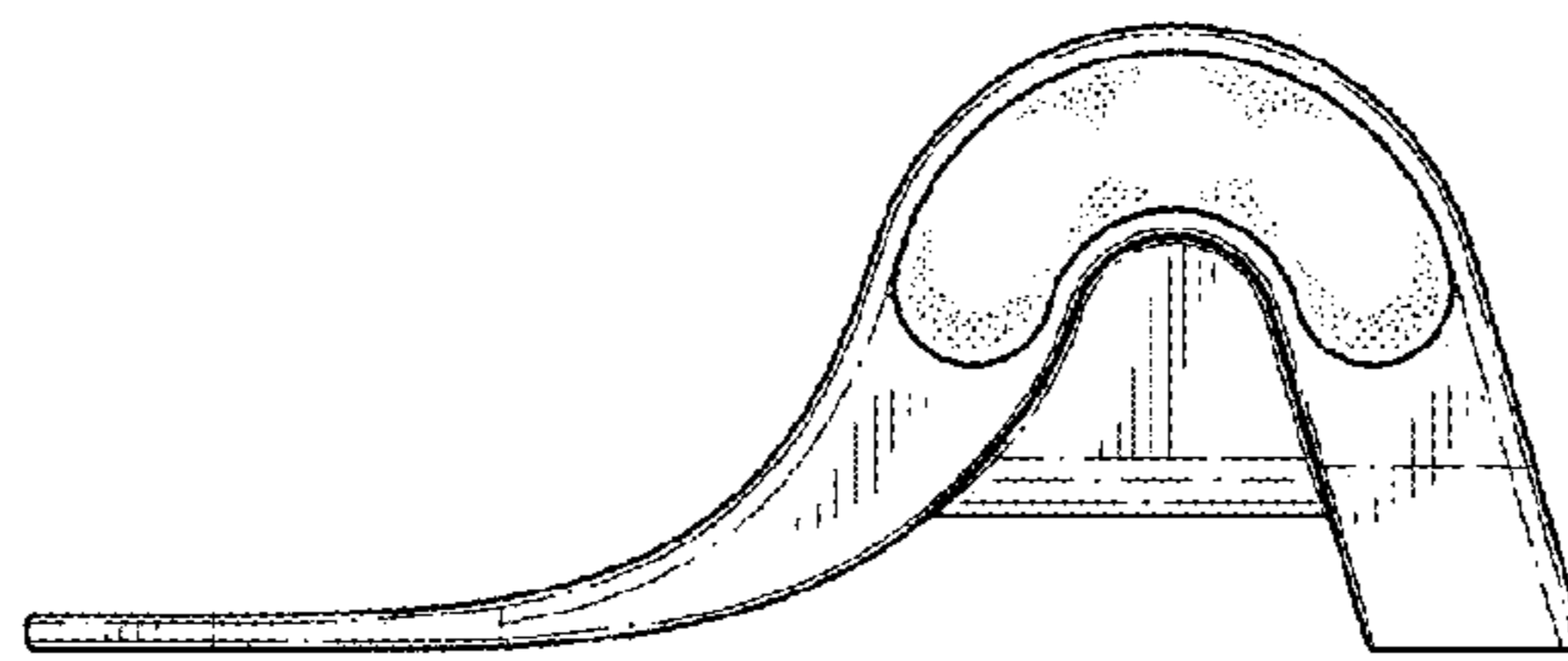
**FIG. 2**



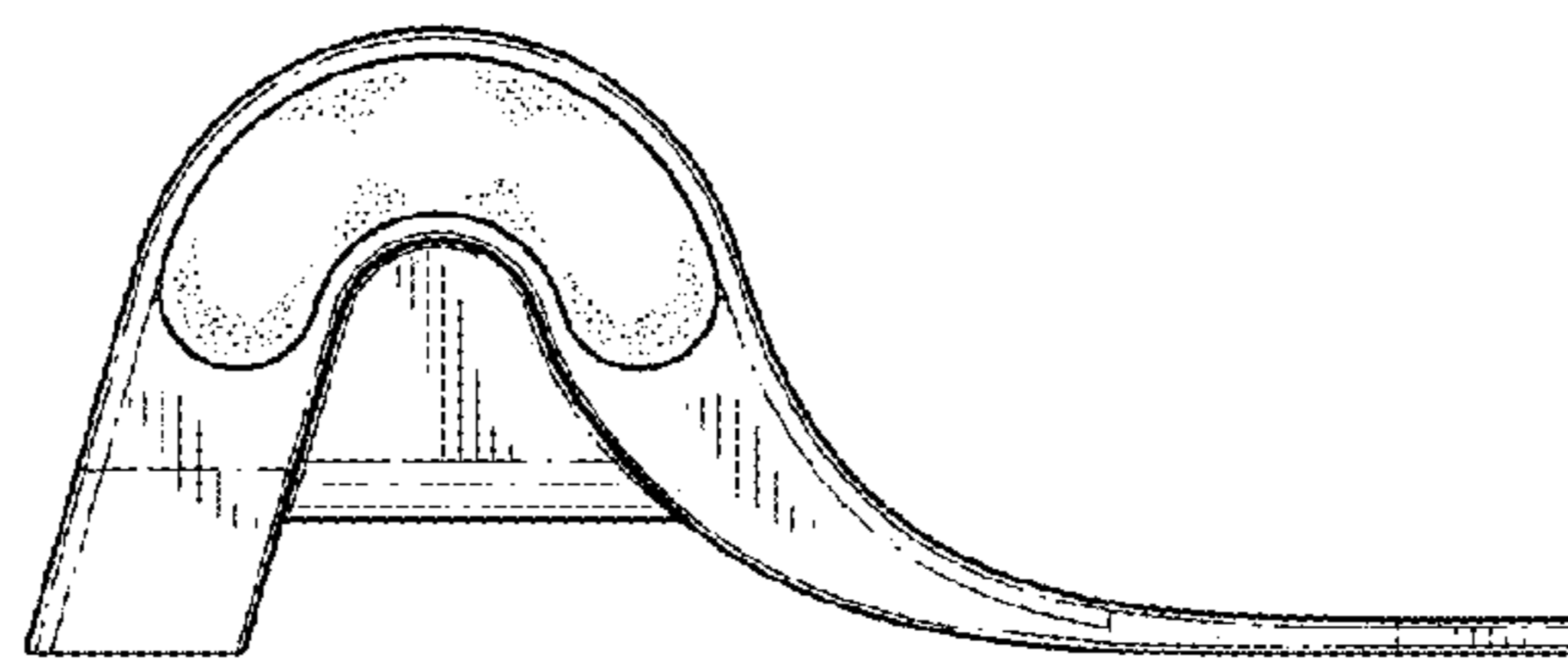
**FIG. 3**



**FIG. 4**

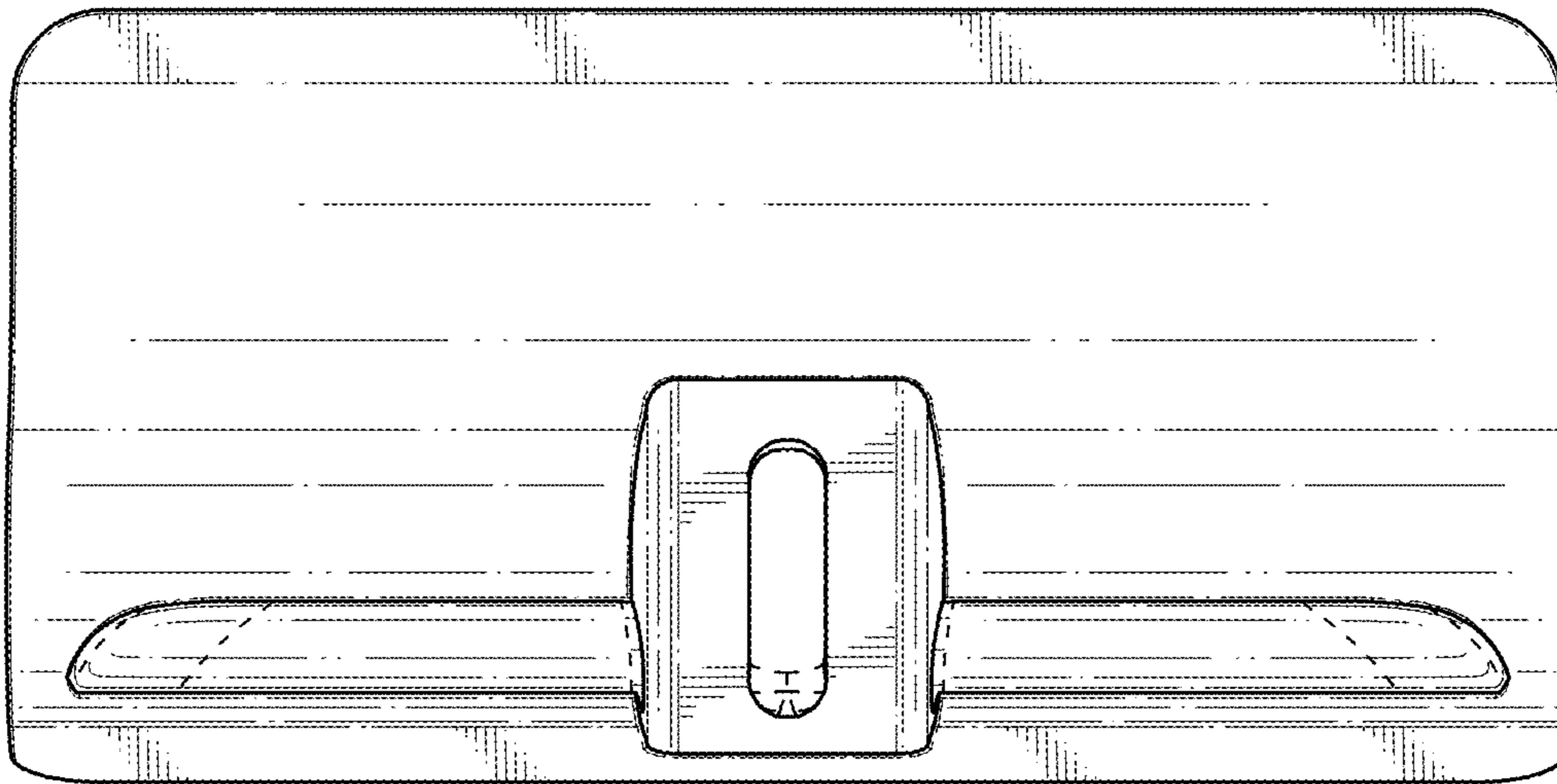


**FIG. 5**

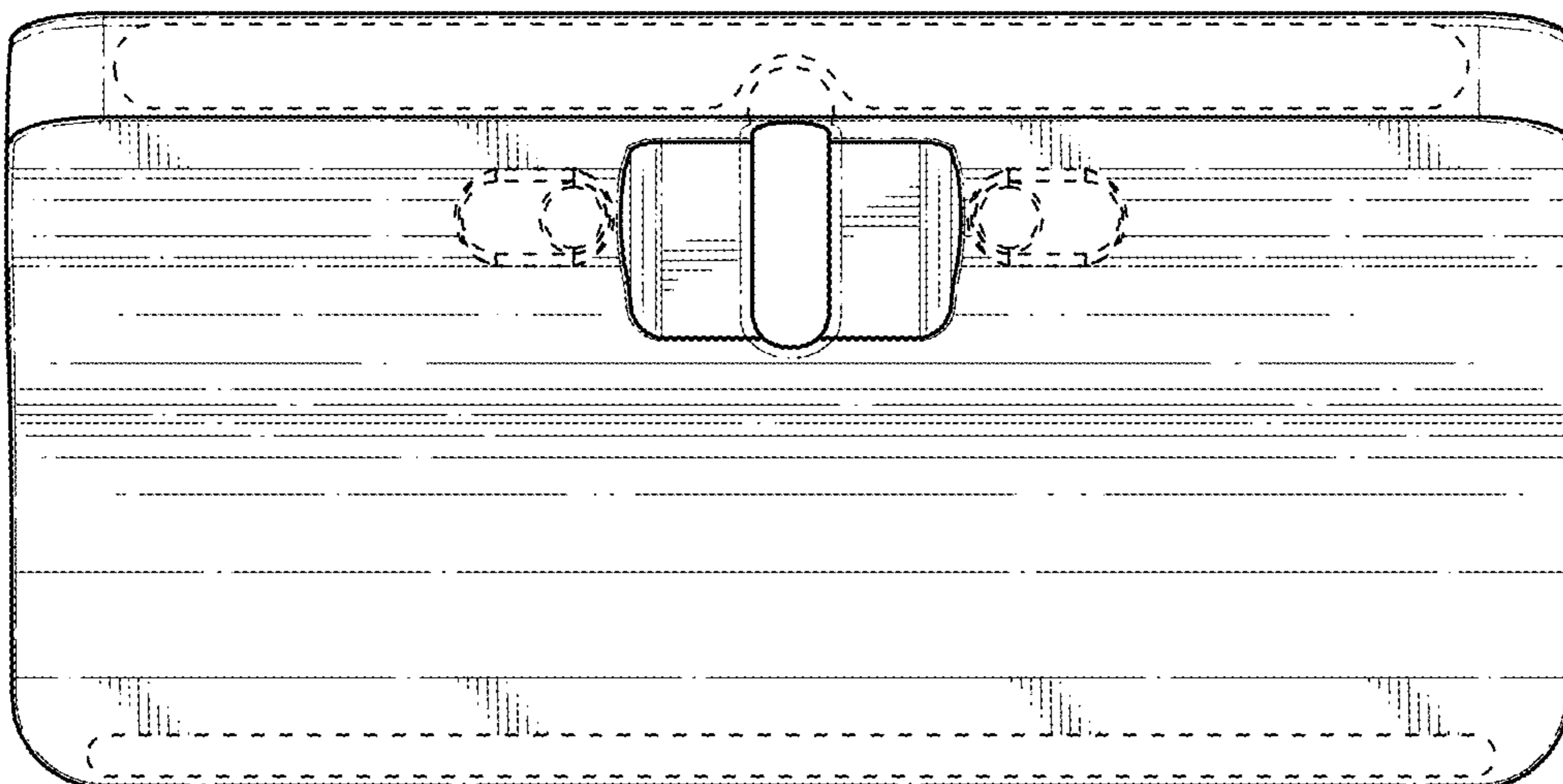


**FIG. 6**





**FIG. 7**



**FIG. 8**