



US00D771054S

(12) **United States Design Patent** (10) **Patent No.:** **US D771,054 S**
King (45) **Date of Patent:** **** Nov. 8, 2016**

(54) **LAPTOP OR TABLET SUPPORT**
(71) Applicant: **Steven G. King**, Richmond, CA (US)
(72) Inventor: **Steven G. King**, Richmond, CA (US)
(**) Term: **14 Years**
(21) Appl. No.: **29/513,395**
(22) Filed: **Dec. 30, 2014**
(51) **LOC (10) Cl.** **08-07**
(52) **U.S. Cl.**
USPC **D14/447**
(58) **Field of Classification Search**
USPC D14/447, 432, 434, 439, 440, 451, 452,
D14/457, 250, 251, 253; D3/218; D6/406.3,
D6/406.4, 406.5, 406.6
CPC A45C 2011/003; A45C 2011/002;
A45C 13/002; A47B 2023/049; A47B
2097/005; A47B 2097/006; A47B 21/04;
A47B 23/00; A47B 23/043; A47B
2021/0307; A47B 2023/005; F16M 2200/00;
H04B 1/3888; H04M 1/185; H04M 1/04
See application file for complete search history.

D677,669 S * 3/2013 Liu D14/447
D685,381 S * 7/2013 Symons
D693,813 S * 11/2013 Symons D14/432
D696,258 S * 12/2013 Padilla D14/447
D699,297 S * 2/2014 Bahsoun D14/447
D703,216 S * 4/2014 Klepar
D714,297 S * 9/2014 Poulsen D14/447
D720,758 S * 1/2015 Janz D14/447
D752,591 S * 3/2016 Ozolins D14/434
2014/0253024 A1 * 9/2014 Rautiainen H02J 7/025
320/108

OTHER PUBLICATIONS

Wikipedia, "Architect's Scale," Internet. Available at http://en.wikipedia.org/wiki/Architect's_scale. Last accessed Dec. 30, 2014.

* cited by examiner

Primary Examiner — Angela J Lee
(74) *Attorney, Agent, or Firm* — PatentBest; Andrew McAleavey

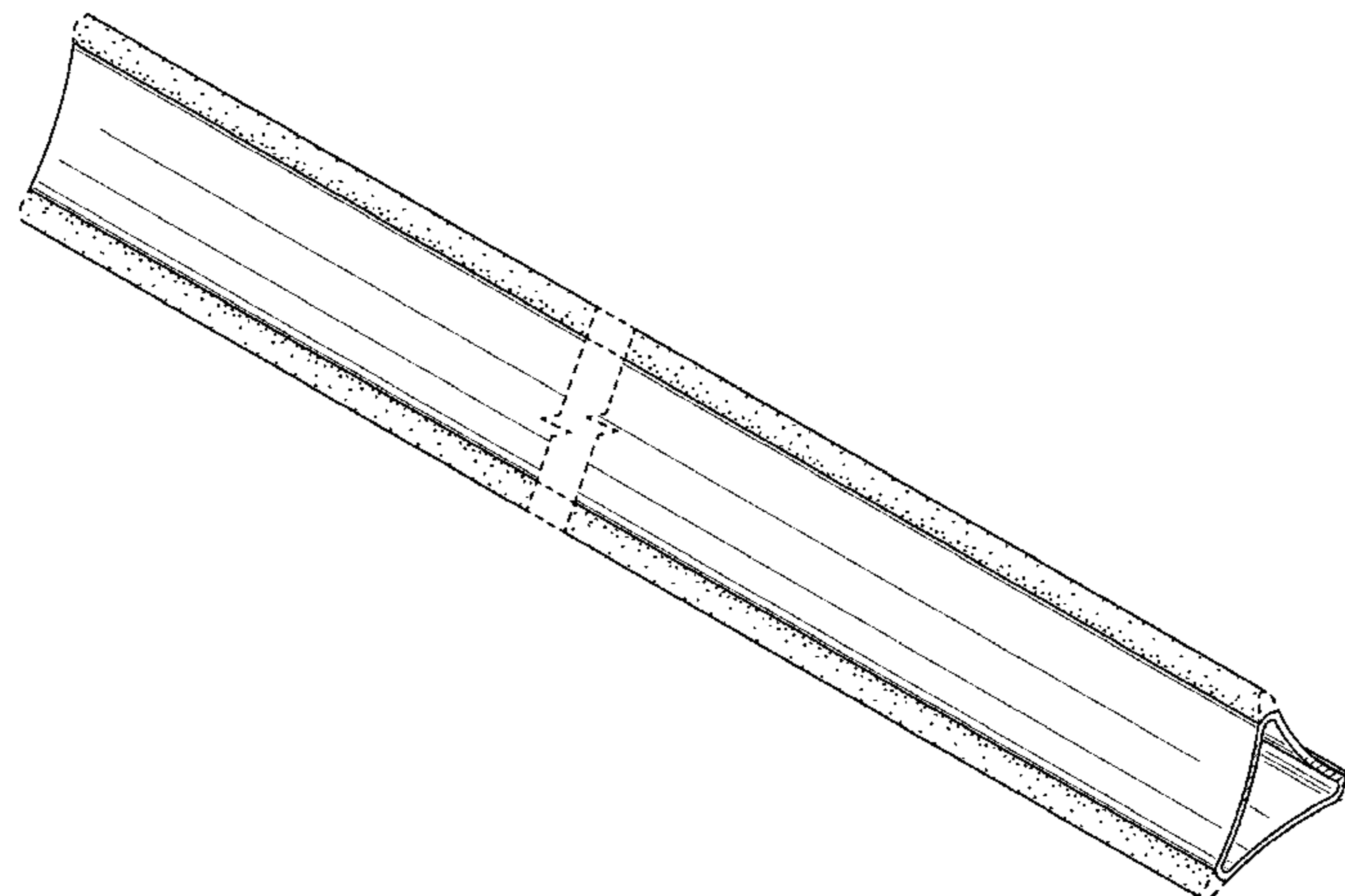
(57) **CLAIM**
The ornamental design for a laptop or tablet support, as shown and described.

DESCRIPTION

FIG. 1 is a perspective view of the laptop or tablet support, illustrating my new design;
FIG. 2 is an end elevational view of the laptop or tablet support;
FIG. 3 is a side elevational view of the laptop or tablet support;
FIG. 4 is a top plan view of the laptop or tablet support; and,
FIG. 5 is a bottom plan view of the laptop or tablet support. The broken lines immediately adjacent the shaded areas represent the bounds of the claimed design, while all other broken lines are directed to environment and are for illustrative purposes only; the broken lines form no part of the claimed design.

1 Claim, 2 Drawing Sheets

(56) **References Cited**
U.S. PATENT DOCUMENTS
D91,023 S * 11/1933 Ellsworth D9/431
D414,166 S * 9/1999 De Paris D14/447
D441,759 S * 5/2001 Goto D14/447
D442,967 S * 5/2001 Goto D14/447
D447,486 S * 9/2001 Goto D14/447
D452,867 S * 1/2002 Goto D14/447
D458,269 S * 6/2002 Goto
D555,655 S * 11/2007 Iu D14/447
D598,920 S * 8/2009 Fujino D14/447
D621,406 S * 8/2010 Hoehn D14/447
D640,705 S * 6/2011 Sogabe D14/447
D642,582 S * 8/2011 Largy D14/447
D644,647 S * 9/2011 Sykes
D661,308 S * 6/2012 Capozzoli, II D14/447
D667,831 S * 9/2012 Stravitz D14/447



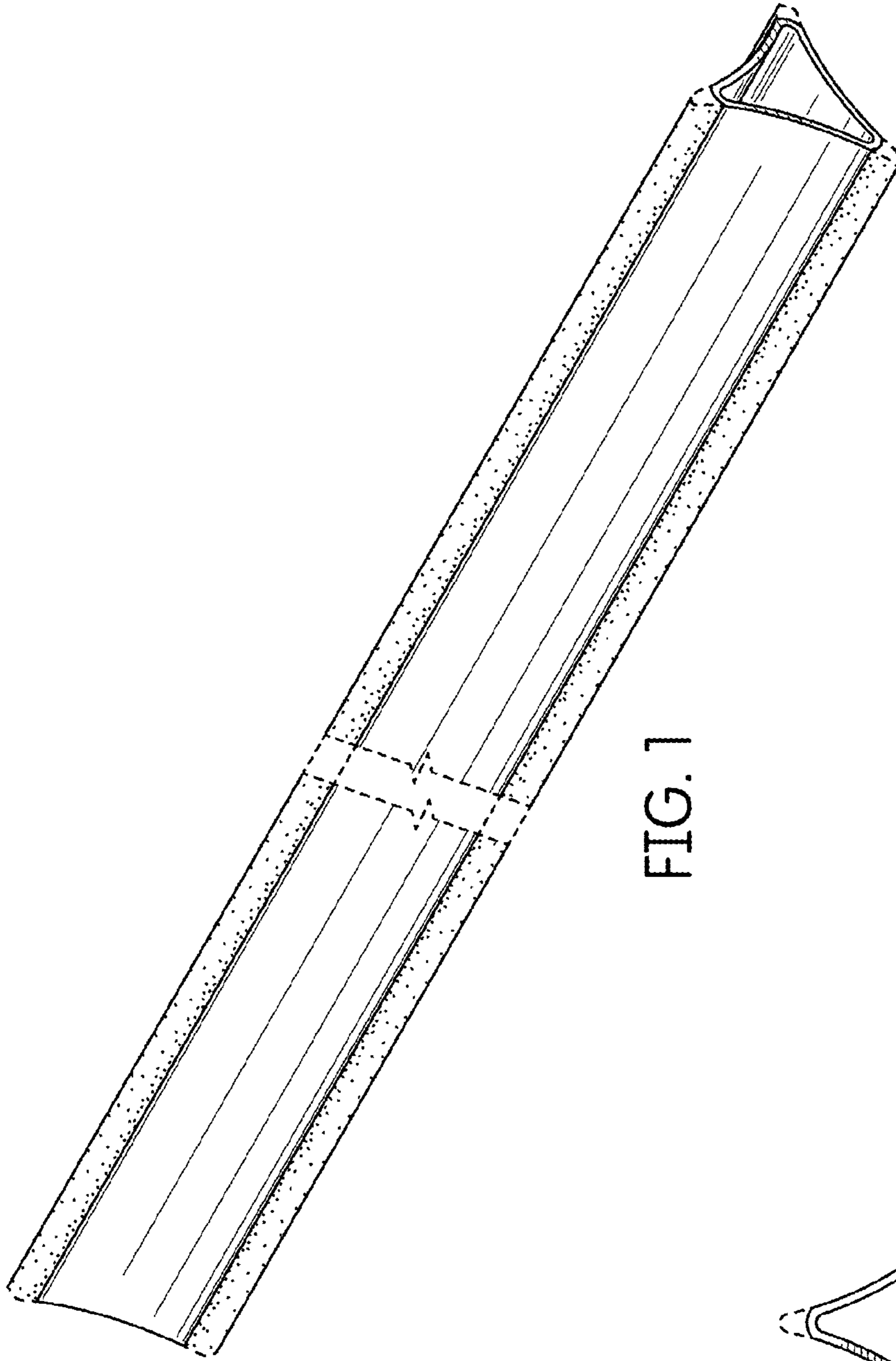


FIG. 1

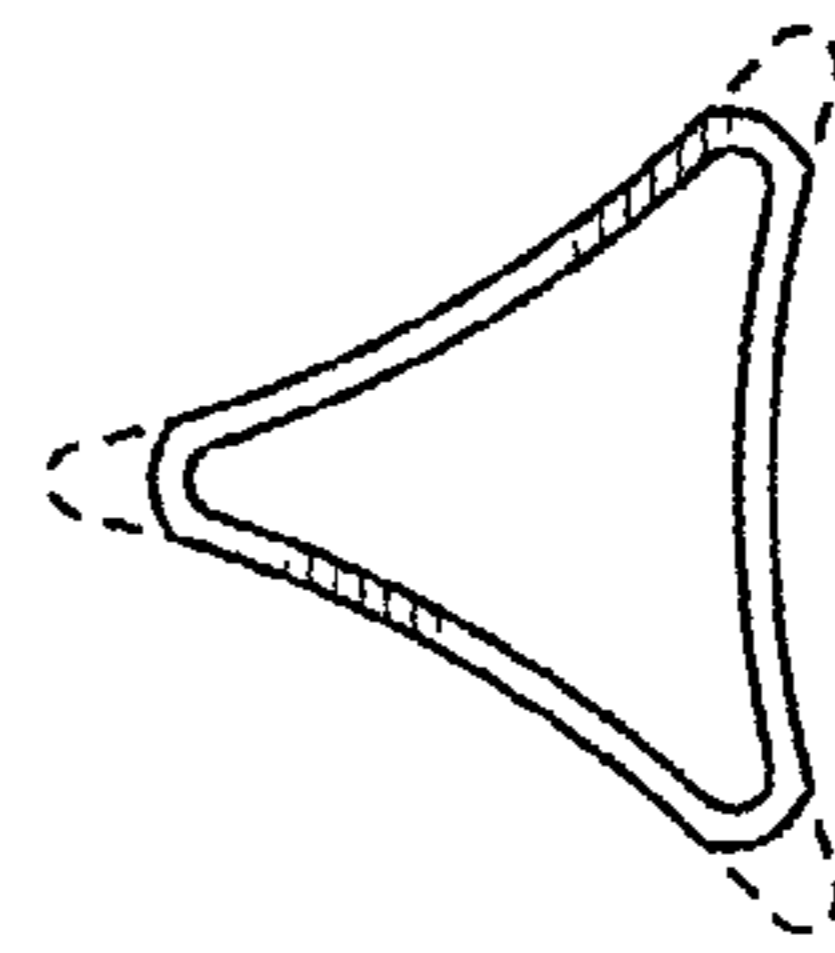


FIG. 2

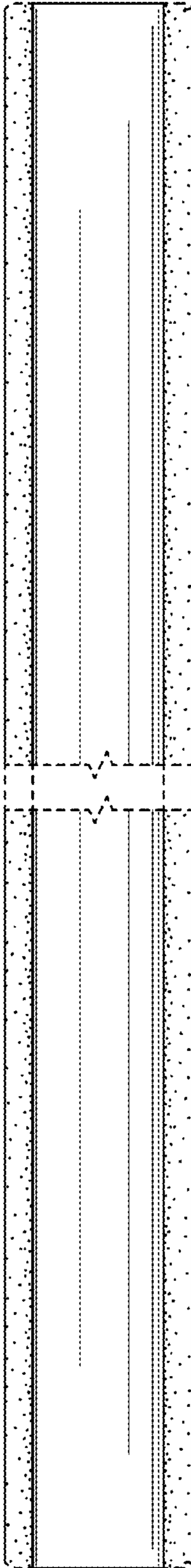


FIG. 3

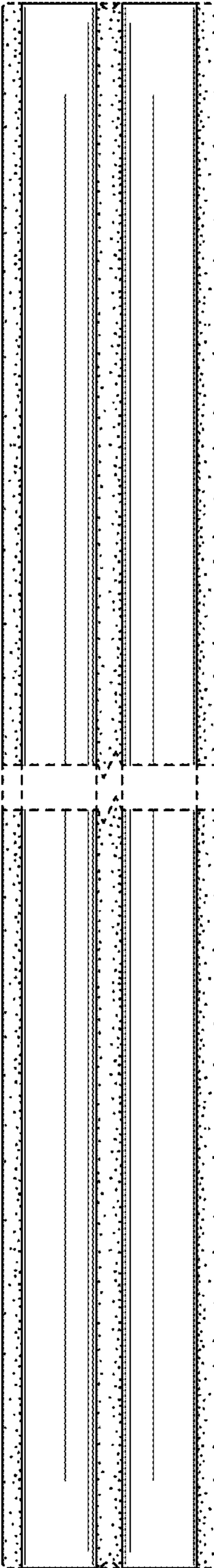


FIG. 4

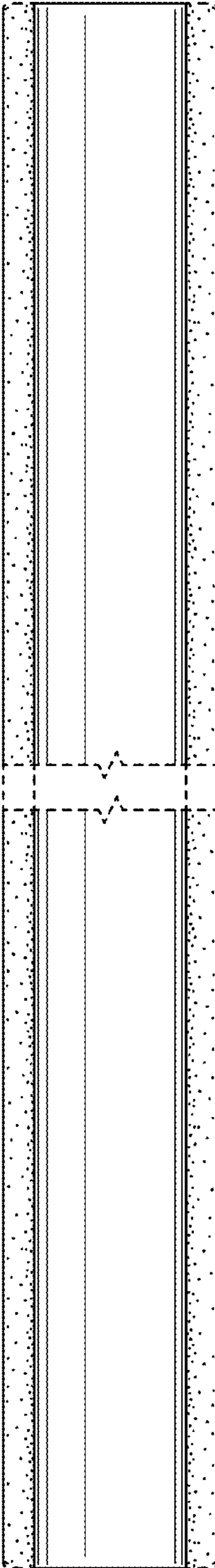


FIG. 5