



US00D771052S

(12) **United States Design Patent** (10) **Patent No.:** **US D771,052 S**
Zheng et al. (45) **Date of Patent:** **** Nov. 8, 2016**

(54) **DOCKING STATION**

- (71) Applicant: **Microsoft Corporation**, Redmond, WA (US)
- (72) Inventors: **Michael Zheng**, Shenzhen (CN); **Ralf Groene**, Kirkland, WA (US); **Jan Raken**, Seattle, WA (US); **Young Soo Kim**, Seattle, WA (US); **Timothy Escolin**, Seattle, WA (US)
- (73) Assignee: **Microsoft Corporation**, Redmond, WA (US)
- (**) Term: **15 Years**

(21) Appl. No.: **29/531,637**

(22) Filed: **Jun. 29, 2015**

(51) **LOC (10) Cl.** **14-02**

(52) **U.S. Cl.**
USPC **D14/434**

(58) **Field of Classification Search**
 USPC D14/434, 440, 447, 251-253, 432, 451, D14/452, 140, 142, 149, 217, 240, 299, D14/496; D13/107, 108
 CPC .. G06F 1/1626; G06F 1/1632; H01M 10/44; F16M 11/10; H02J 7/0042; H02J 7/00; H01R 31/065
 See application file for complete search history.

(56) **References Cited**

U.S. PATENT DOCUMENTS

- D304,726 S * 11/1989 Brooks 379/434
- 5,619,397 A * 4/1997 Honda G06F 1/1632
361/679.43
- D411,835 S * 7/1999 Mizusugi D14/434
- D472,900 S * 4/2003 Matsumoto D14/447
- D511,520 S * 11/2005 Hussaini D14/434

(Continued)

FOREIGN PATENT DOCUMENTS

JP D1525271 S 6/2015

OTHER PUBLICATIONS

Docking Platform—CN 302967101 (Design -©Questel). orbit.com [online PDF] 4 pages. Printed Oct. 15, 2014[retrieved on Aug. 3, 2016] <https://sobjprd.questel.fr/export/QPTUJ214/pdf2/f3b6e7c5-ac8d-41d8-8658-e1b6530c4ce7-224412.pdf>.*

Primary Examiner — Susan Bennett Hattan
Assistant Examiner — Marie Fast Horse
(74) *Attorney, Agent, or Firm* — Banner & Witcoff, Ltd.

(57) **CLAIM**

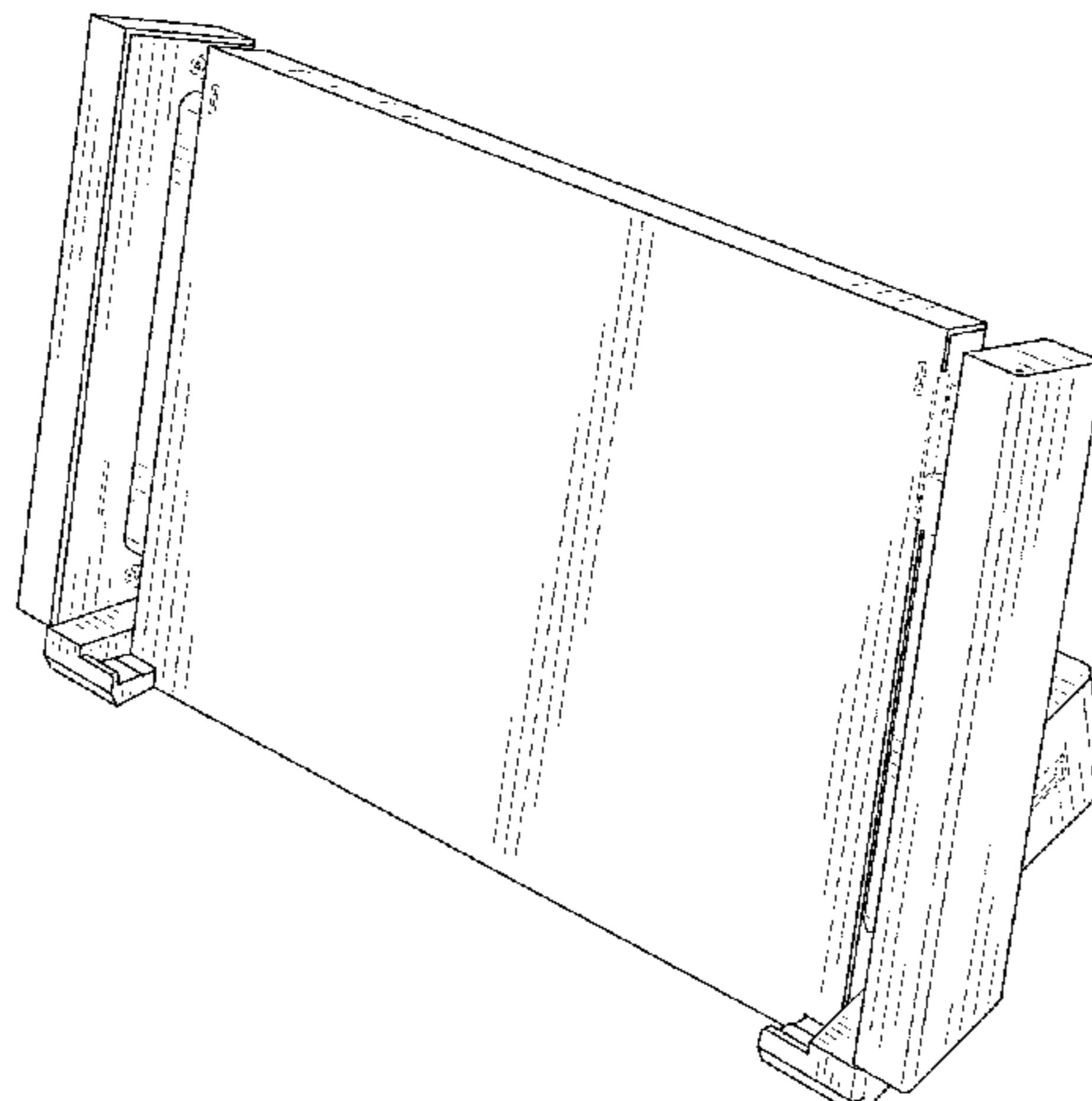
The ornamental design for a docking station, as shown and described.

DESCRIPTION

FIG. 1 is a front perspective view of a docking station showing the new design shown in an open position; FIG. 2 is a front view thereof; FIG. 3 is a rear view thereof; FIG. 4 is a right side view thereof; FIG. 5 is a left side view thereof; FIG. 6 is a top view thereof; FIG. 7 is a bottom view thereof; FIG. 8 is a front perspective view of the docking station of FIGS. 1-7 shown in a closed position; FIG. 9 is a front view thereof; FIG. 10 is a rear view thereof; FIG. 11 is a right side view thereof; FIG. 12 is a left side view thereof; FIG. 13 is a top view thereof; and, FIG. 14 is a bottom view thereof.

The broken line showing of the various elements of the docking station in the figures is for environmental purposes only and forms no part of the claimed design. FIGS. 1-7 show the docking station in a first positional state and FIGS. 8-14 show the docking station in a second positional state. FIGS. 1-7 in combination with FIGS. 8-14 show a docking station in two positional states.

1 Claim, 12 Drawing Sheets



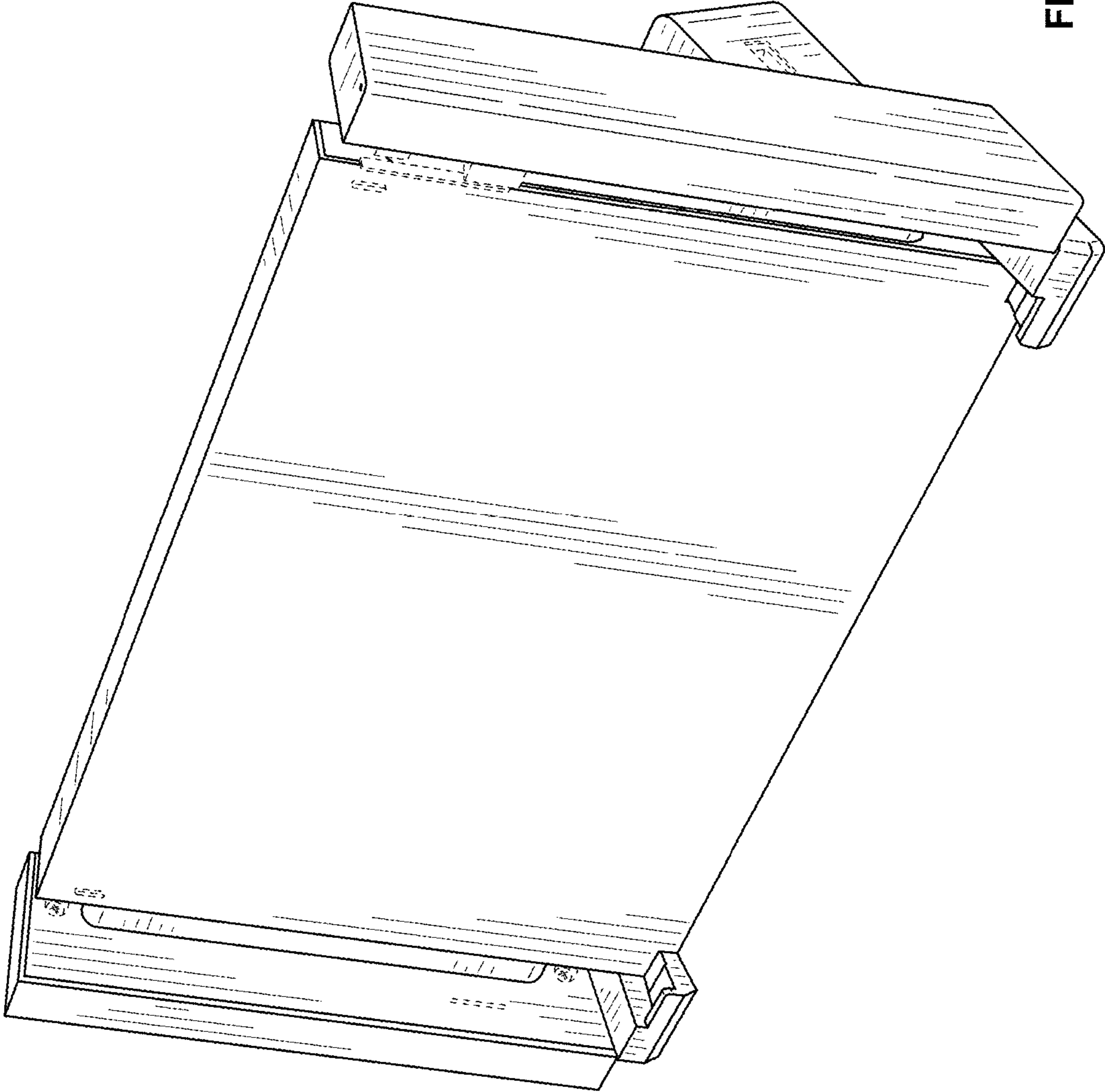


FIG. 1

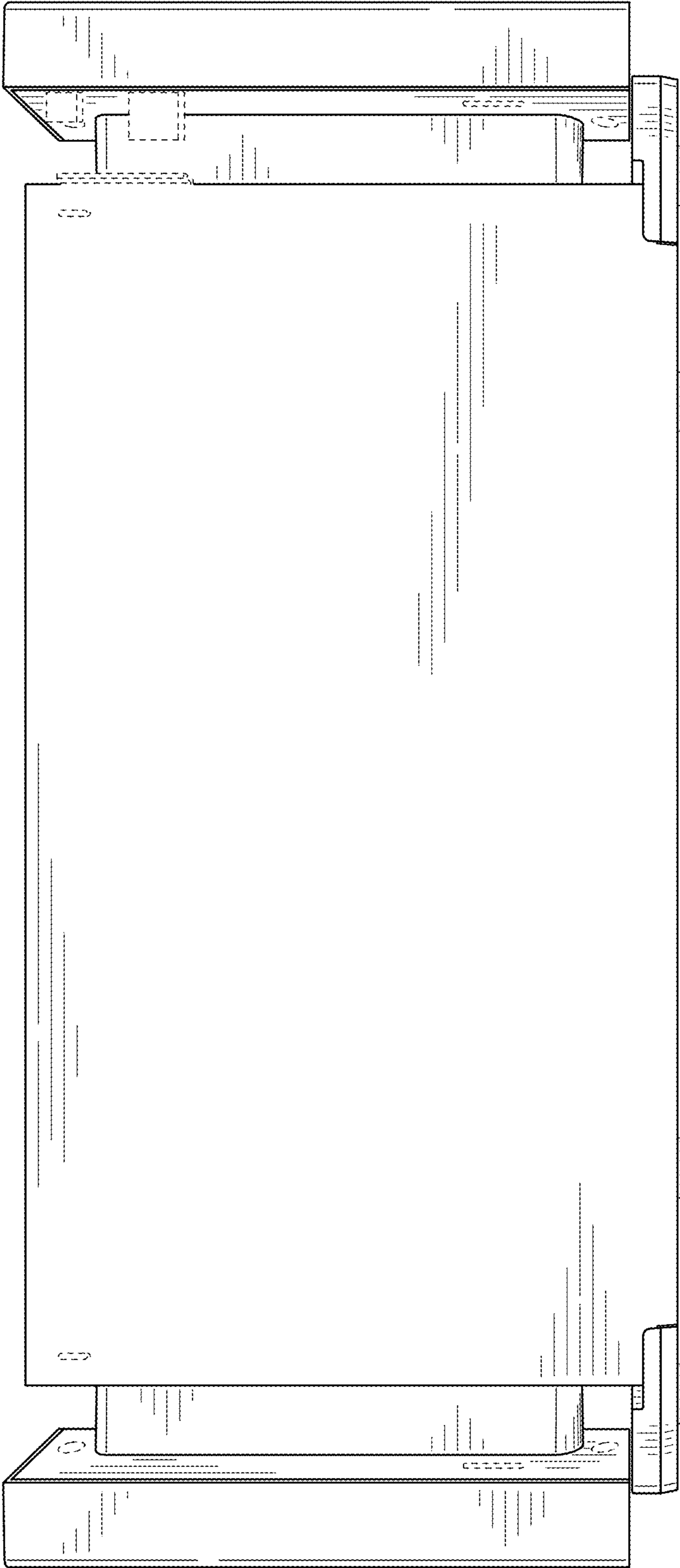


FIG. 2

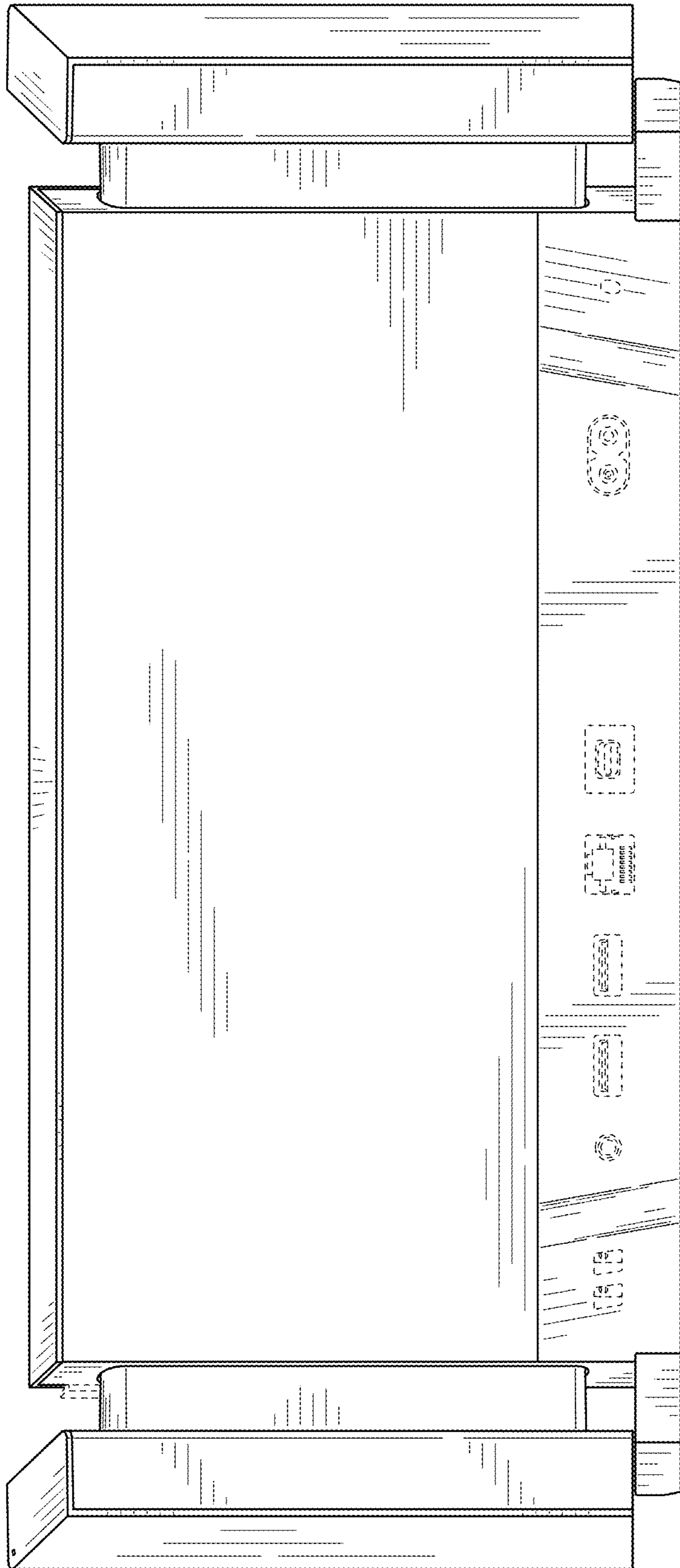


FIG. 3

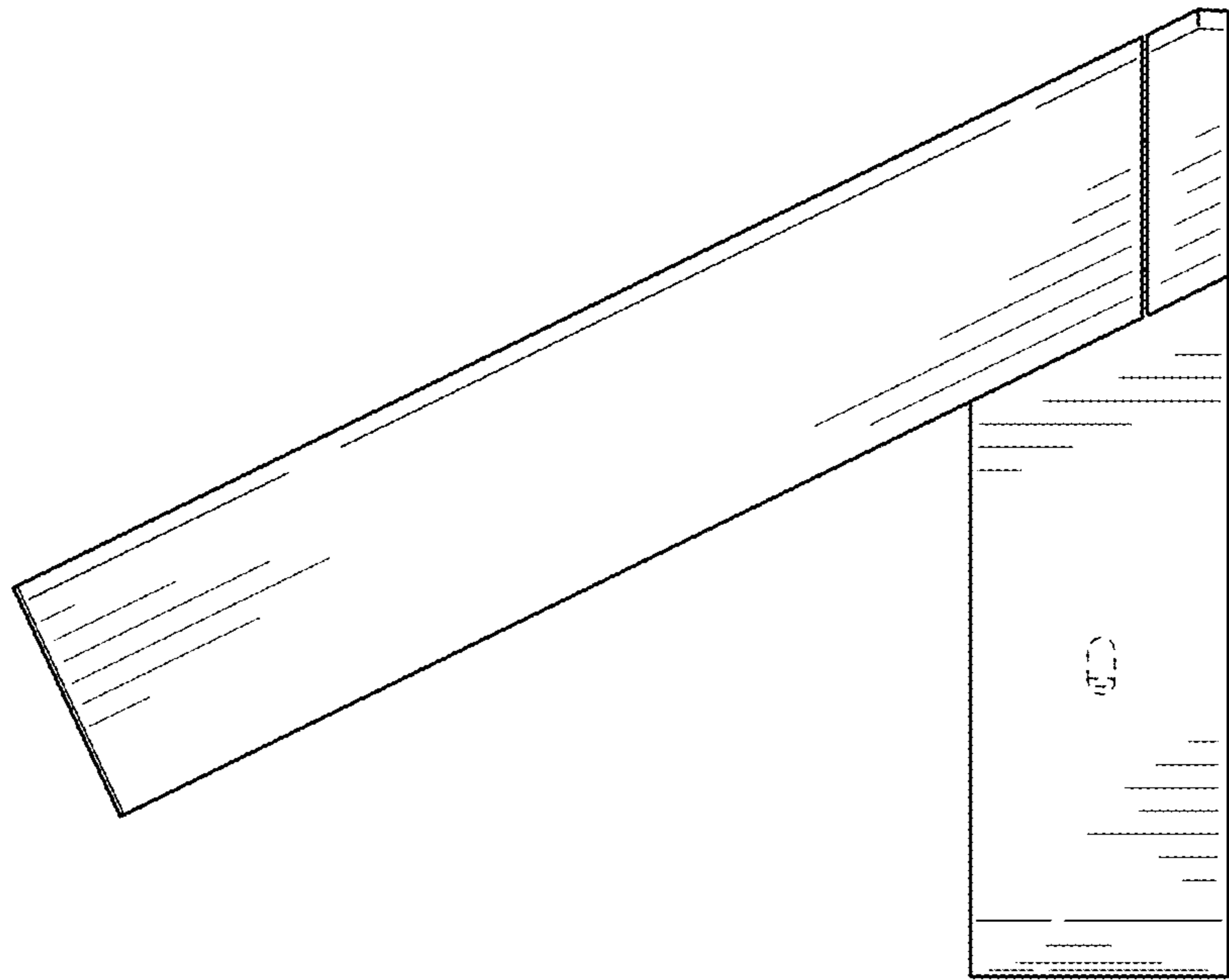


FIG. 5

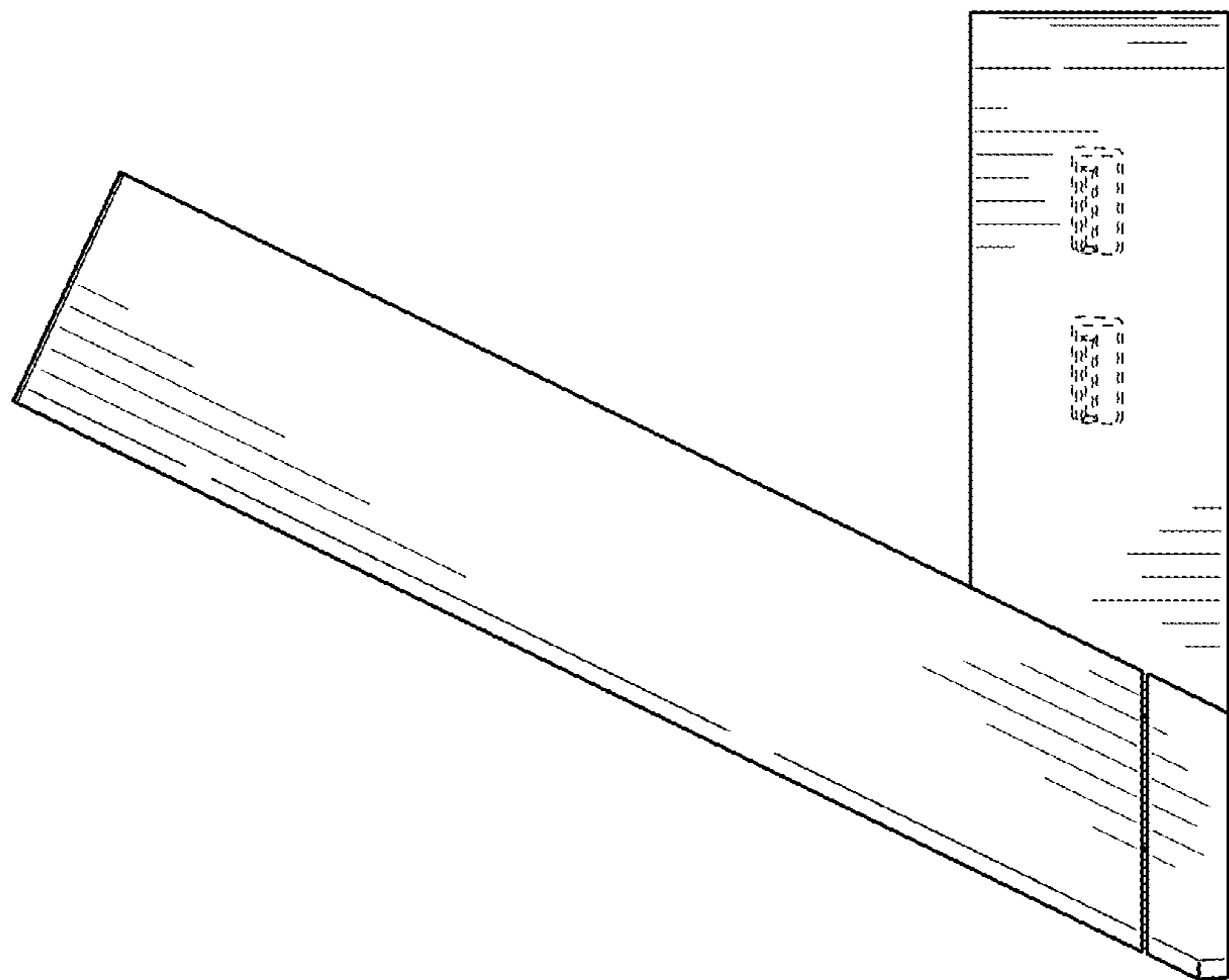


FIG. 4

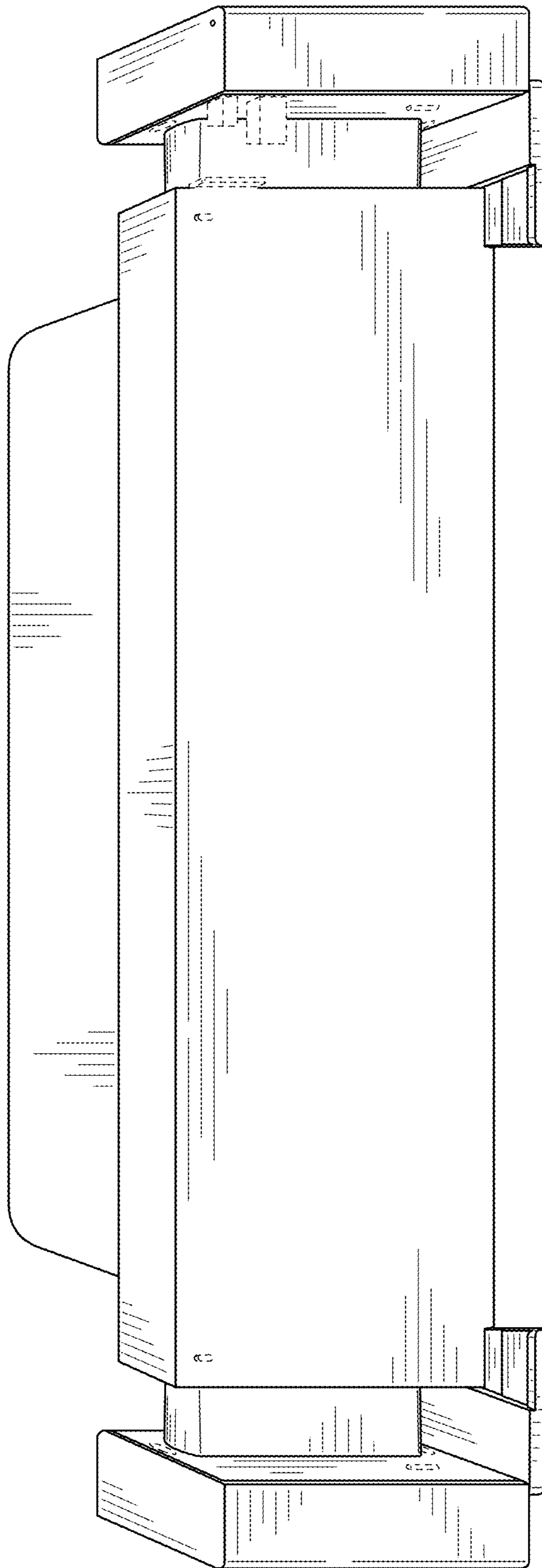


FIG. 6

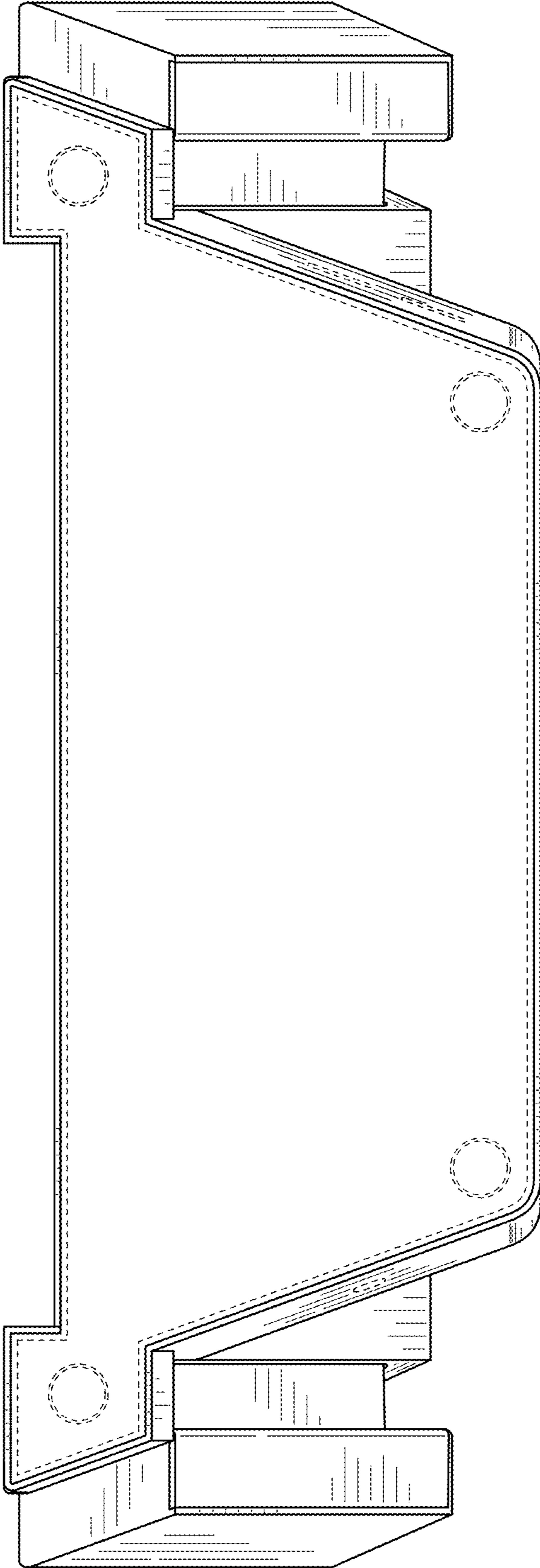


FIG. 7

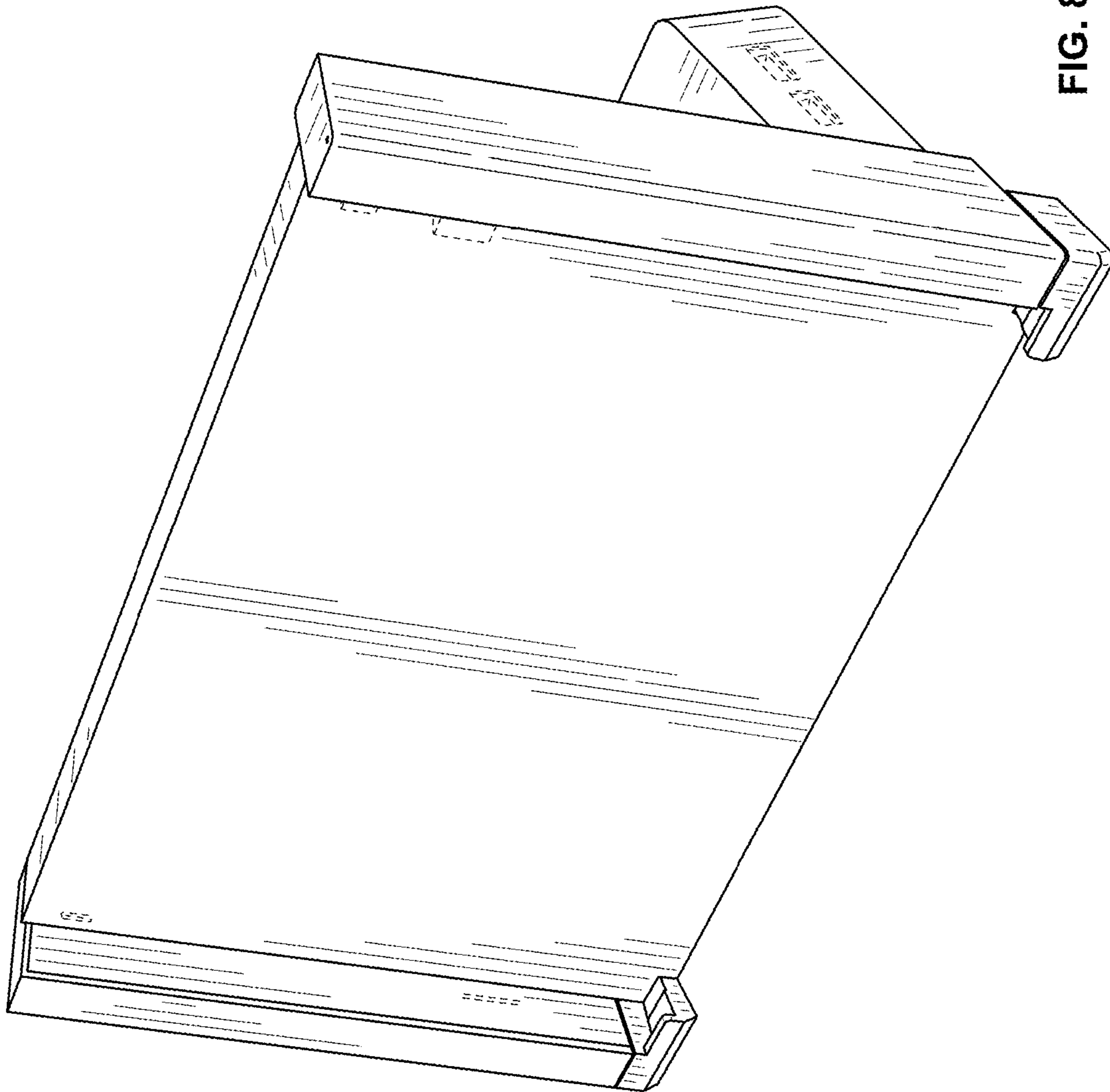


FIG. 8

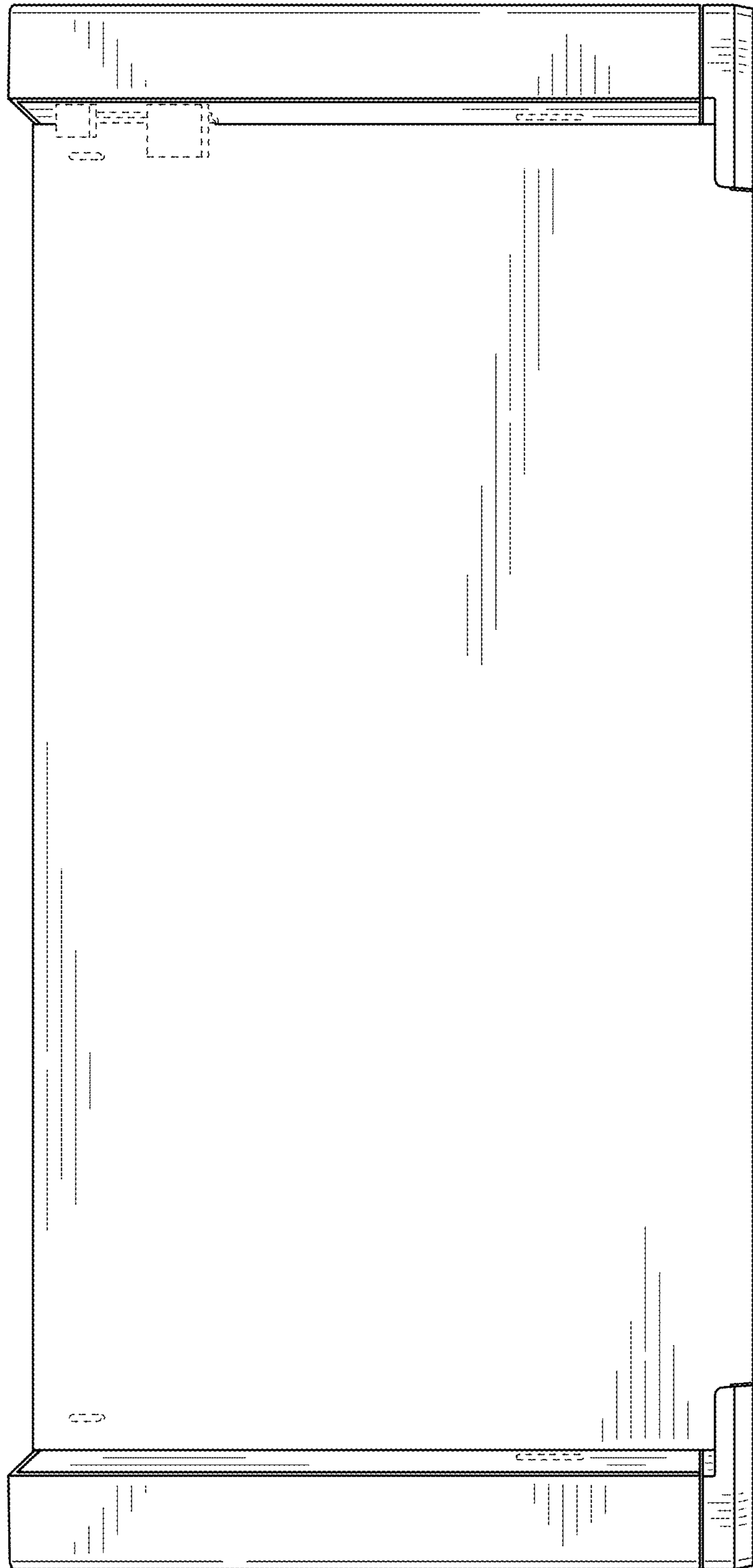


FIG. 9

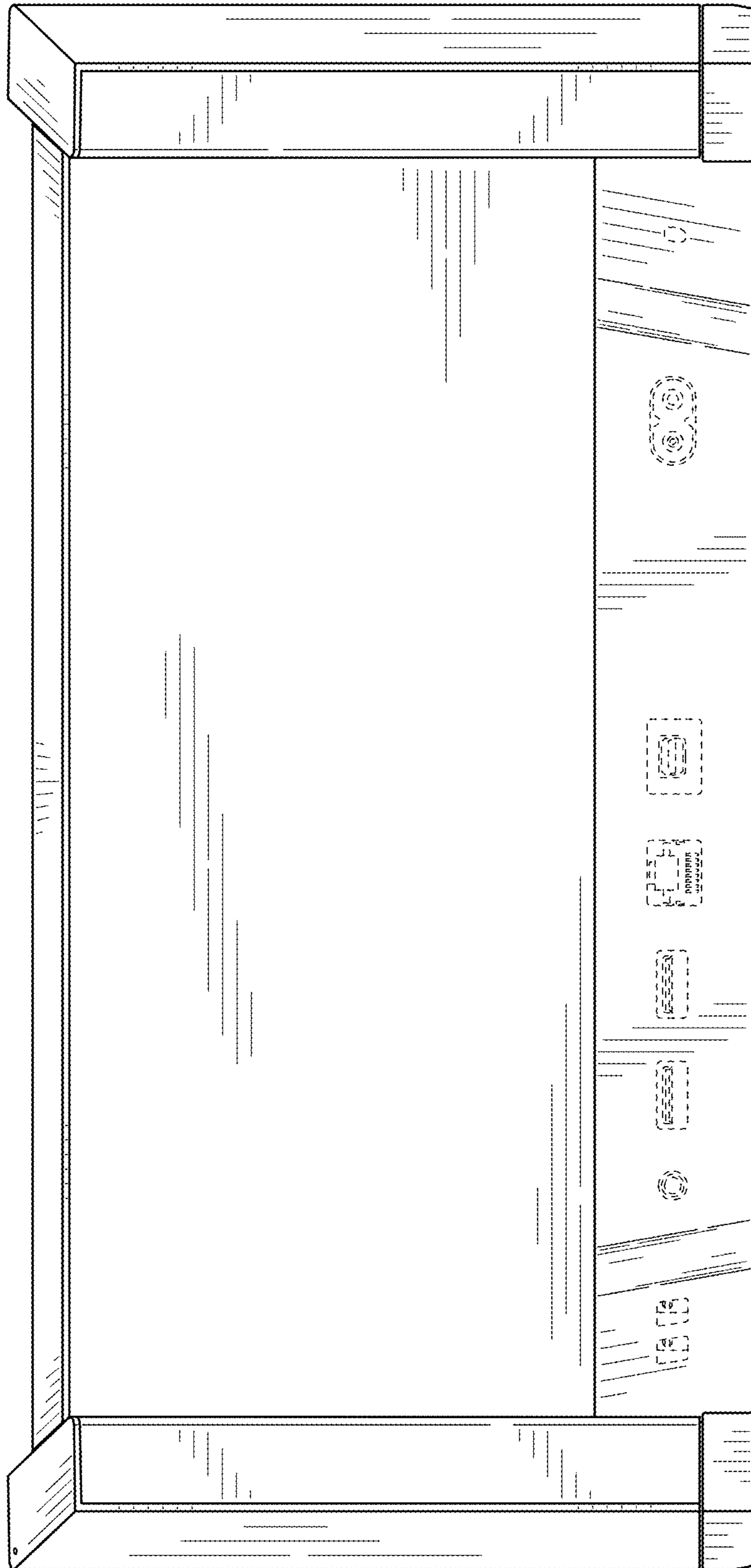


FIG. 10

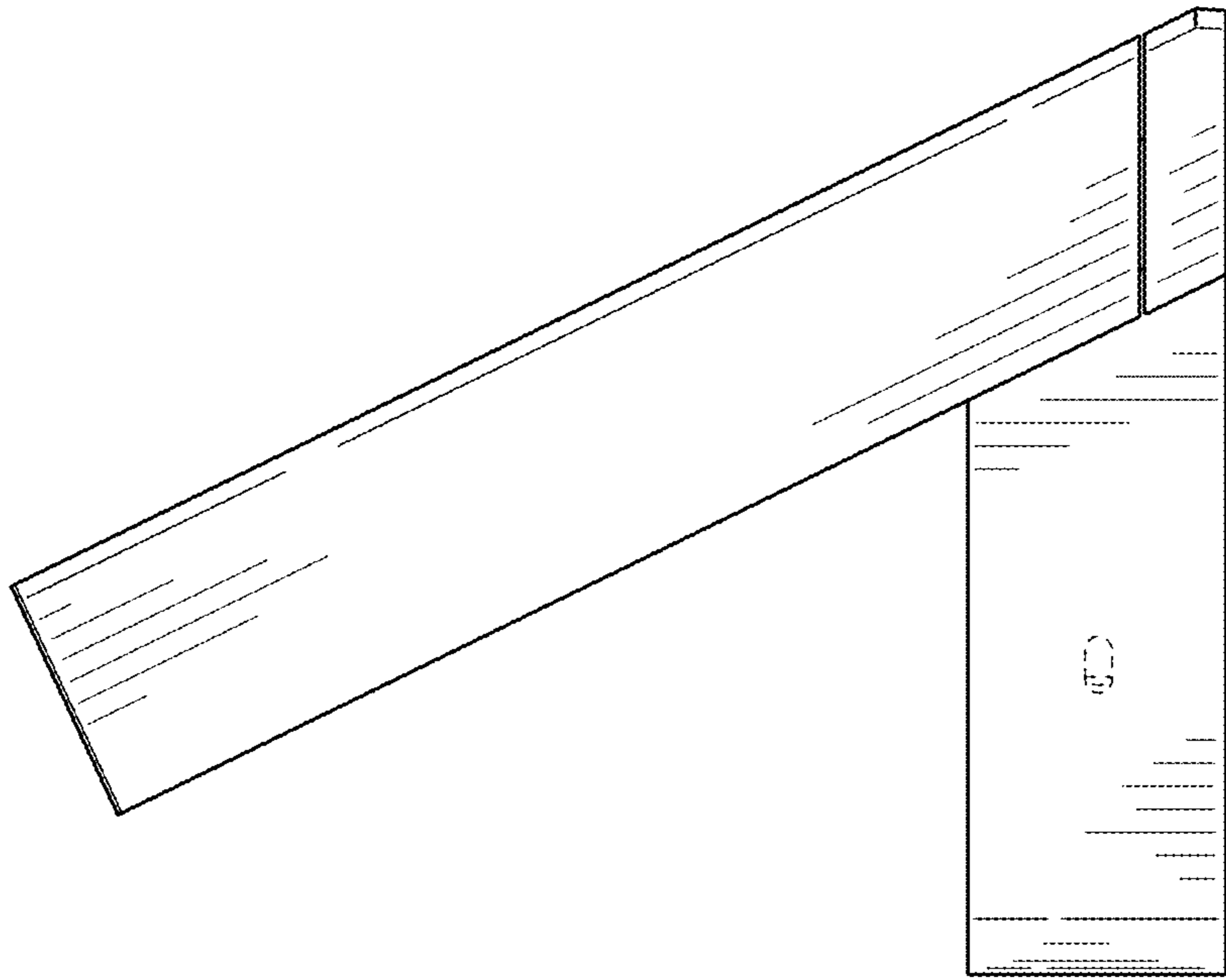


FIG. 12

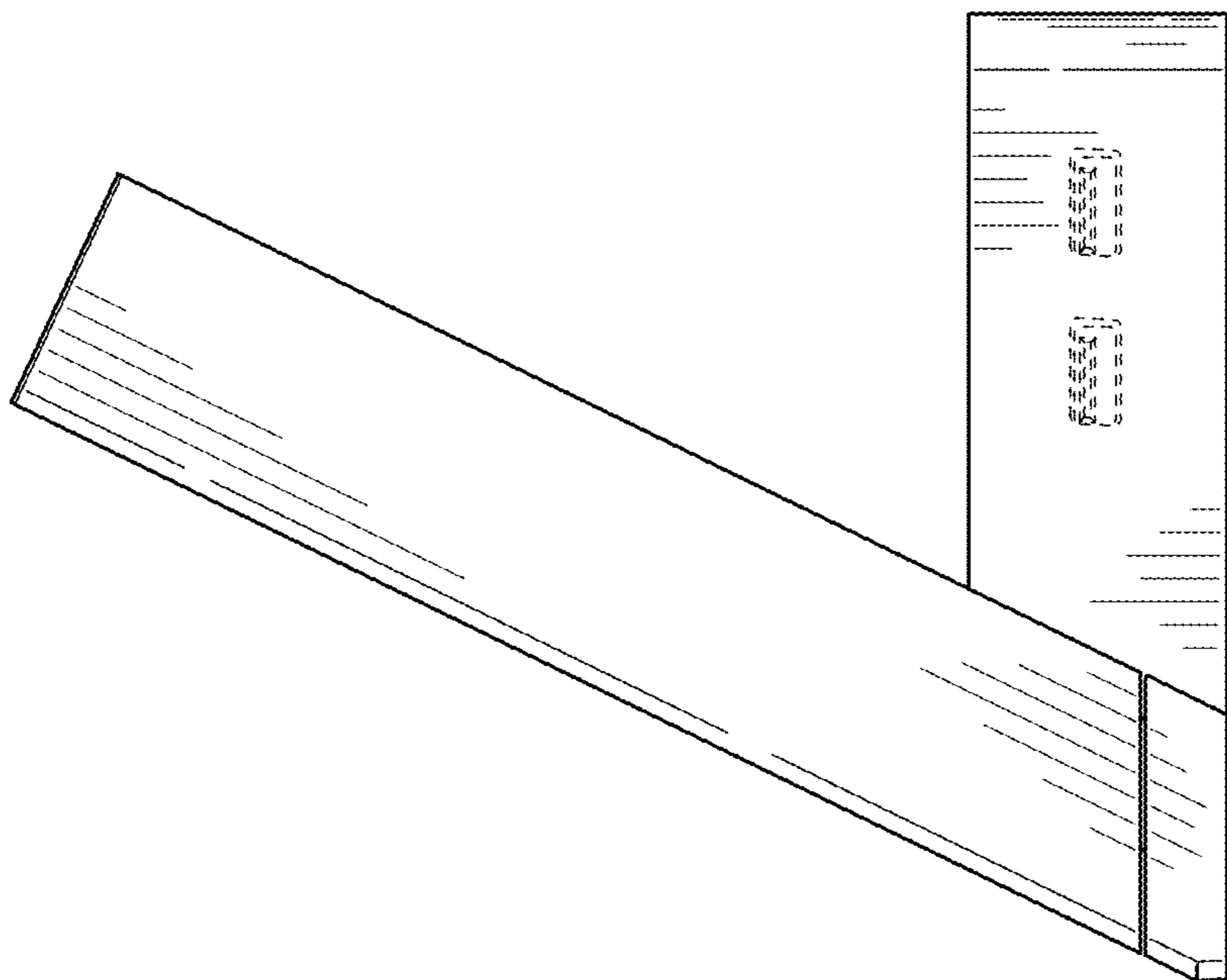


FIG. 11

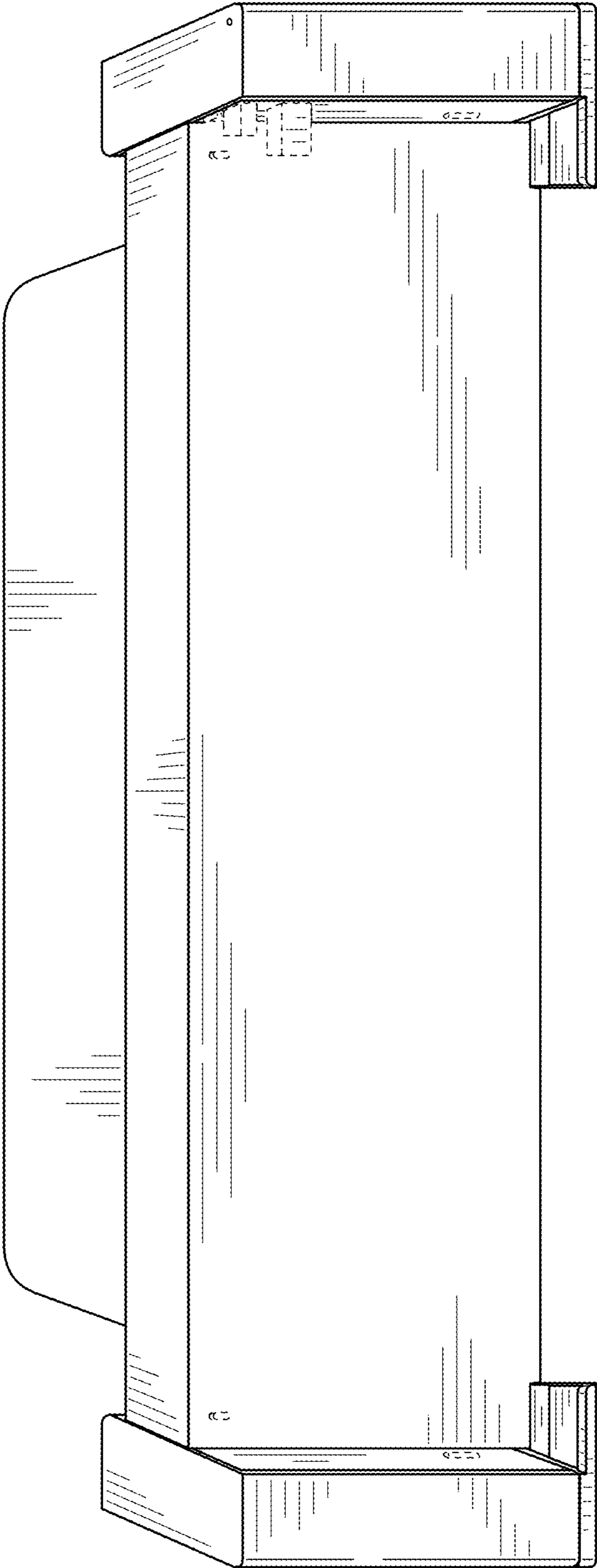


FIG. 13

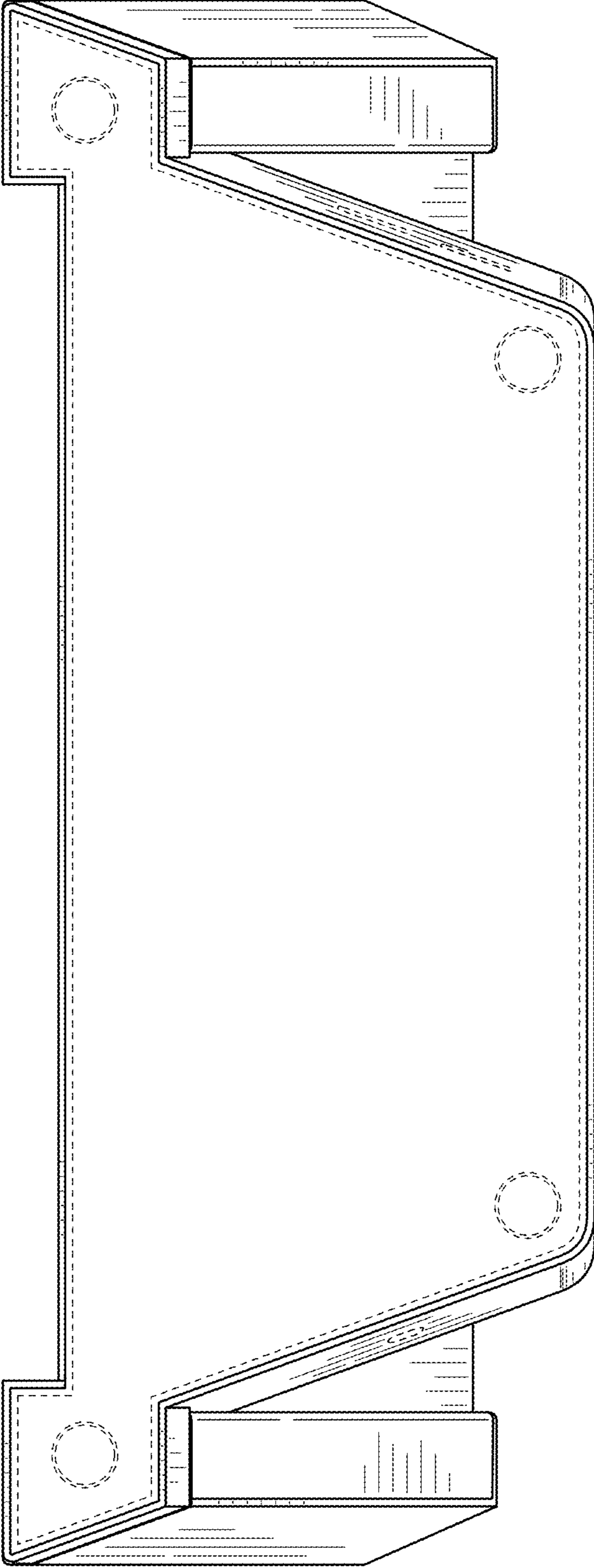


FIG. 14