



US00D771051S

(12) **United States Design Patent**
Beck et al.

(10) **Patent No.:** **US D771,051 S**

(45) **Date of Patent:** **** Nov. 8, 2016**

(54) **PRINTER CRADLE**

(71) Applicant: **ZIH Corp.**, Lincolnshire, IL (US)

(72) Inventors: **David F. Beck**, Exeter, RI (US); **Roy P. Lyman**, Coventry, RI (US); **Jorge Tomas**, Wrentham, MA (US)

(73) Assignee: **ZIH Corp.**, Lincolnshire, IL (US)

(**) Term: **14 Years**

(21) Appl. No.: **29/517,701**

(22) Filed: **Feb. 16, 2015**

(51) **LOC (10) Cl.** **14-02**

(52) **U.S. Cl.**
USPC **D14/434**; D13/108

(58) **Field of Classification Search**
USPC D13/102–105, 107–110, 118, 119, 133,
D13/144, 184, 199; D14/251, 253, 356,
D14/432, 434; 320/197–115, 135, 138, 140;
D28/44, 49, 52, 53
CPC Y02E 60/12; Y02T 90/14; Y02T 90/122;
Y02T 90/128; Y02T 90/163; H02J 7/025;
H02J 7/042; H02J 7/044; H02J 7/0027;
H02J 7/0013; H02J 7/0054; H02J 2001/08;
H02J 3/32; H02J 3/008; B60R 16/03; B60L
11/1809; B60L 11/1825; H01M 2/02; H01M
2/022; H01M 2/0202; H01M 2/0207; H01M
2/0212; H01M 2/1061; H01M 2/1022;
H01M 2/1055; H01M 2/1066; H01M 2/105;
H01M 2/20; H01M 2/202; H01M 2/204;
H01M 2/206

See application file for complete search history.

(56) **References Cited**

U.S. PATENT DOCUMENTS

D440,936 S * 4/2001 Burns D13/107
6,264,488 B1 * 7/2001 Helot G06F 1/1632
361/679.41
D446,854 S * 8/2001 Cheney, II D13/108
D469,097 S * 1/2003 Liu D14/434

D519,450 S * 4/2006 Lyman D13/108
D520,946 S * 5/2006 Nasu D13/108
D521,450 S * 5/2006 Stratford D13/108
D620,882 S * 8/2010 Houghton D13/108
D673,113 S * 12/2012 Fowler D13/102
D692,895 S * 11/2013 Iwata D14/434
D711,314 S * 8/2014 Marino D13/107
D723,458 S * 3/2015 Martinez D13/108
D743,330 S * 11/2015 Zhang D13/107

* cited by examiner

Primary Examiner — Rosemary K Tarcza

Assistant Examiner — Christy Nemeth

(57) **CLAIM**

The ornamental design for a printer cradle, as shown and described.

DESCRIPTION

FIG. 1 is a perspective view of a printer cradle according to our new design;

FIG. 2 is another perspective view thereof;

FIG. 3 is a top side elevation view thereof;

FIG. 4 is a bottom plan view thereof;

FIG. 5 is a right side elevation view thereof;

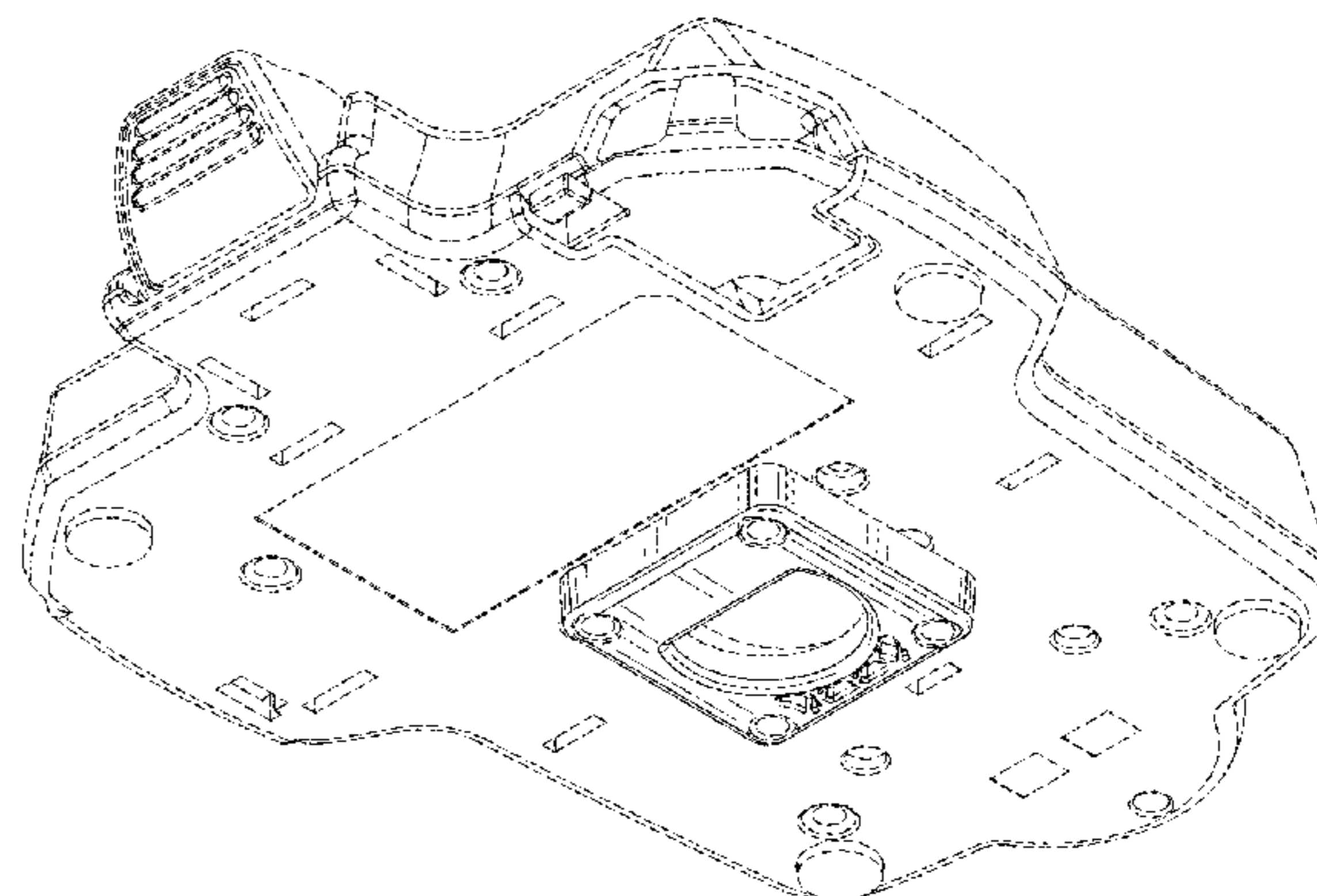
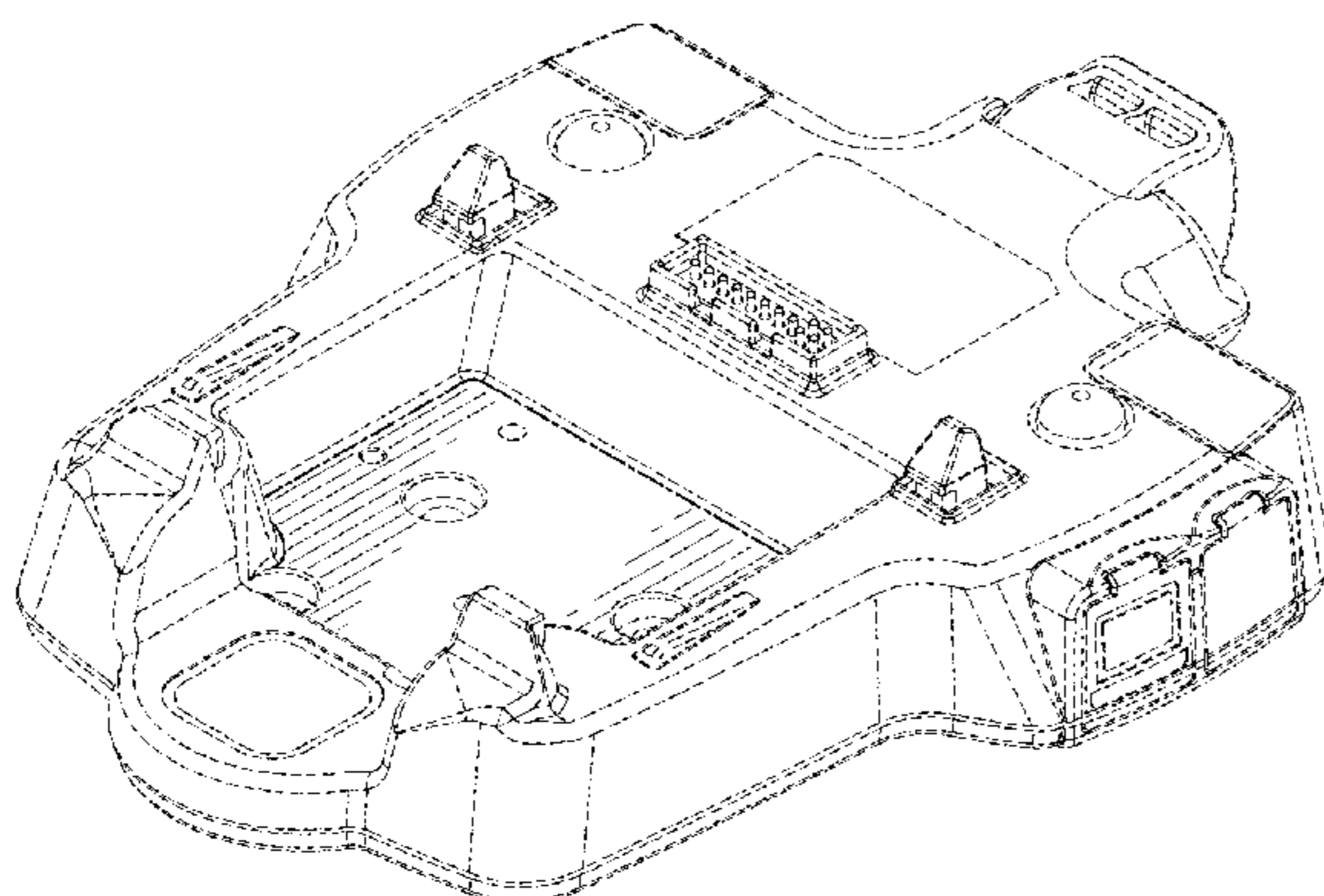
FIG. 6 is a left side elevation view thereof;

FIG. 7 is a front elevation view thereof; and,

FIG. 8 is a back elevation view thereof.

The dash-dot-dash broken lines represent the bounds of the claimed design. The dash-dash broken lines represent an example environment of the claimed design. The broken lines form no part of the claimed design.

1 Claim, 6 Drawing Sheets



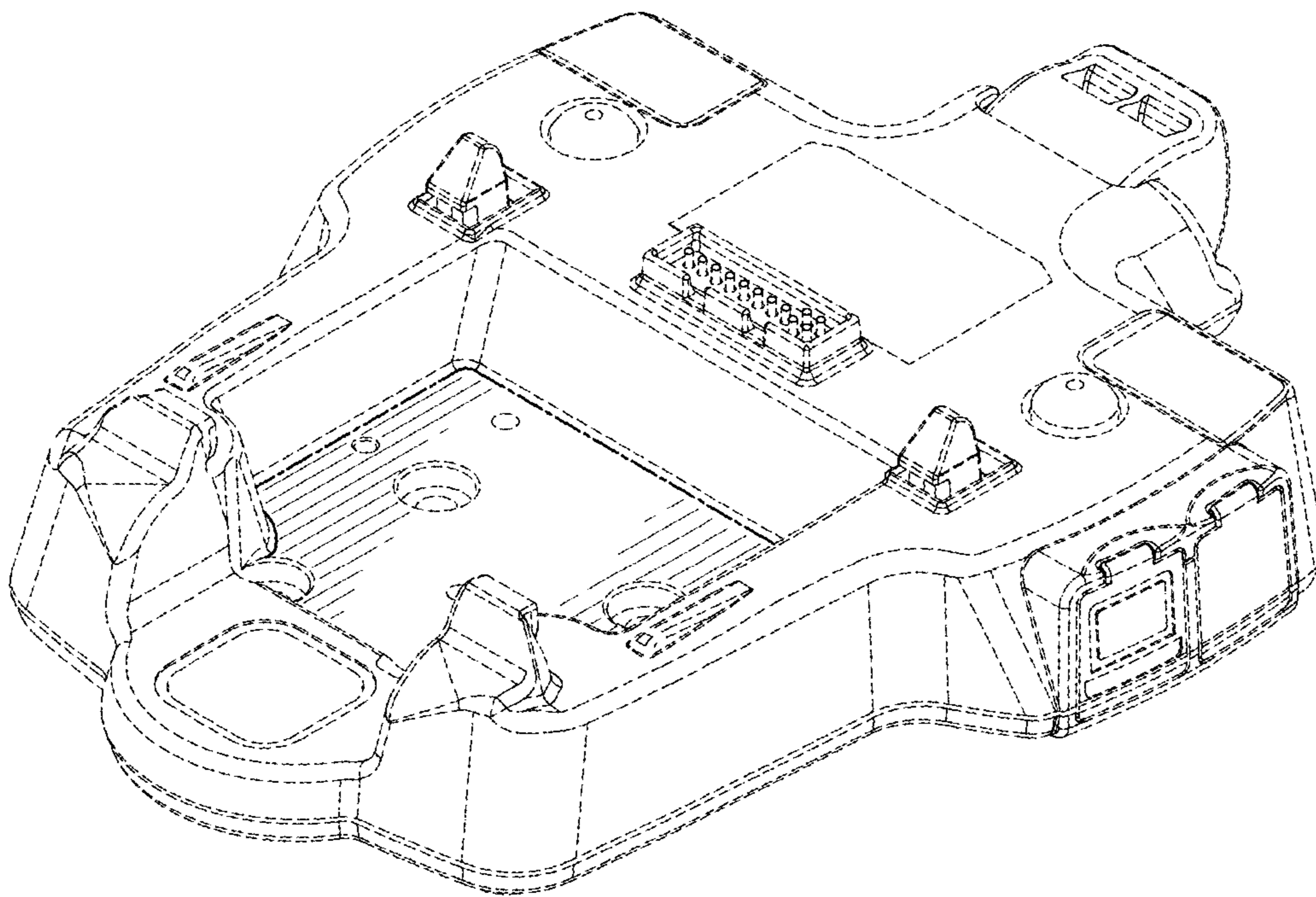


FIG. 1

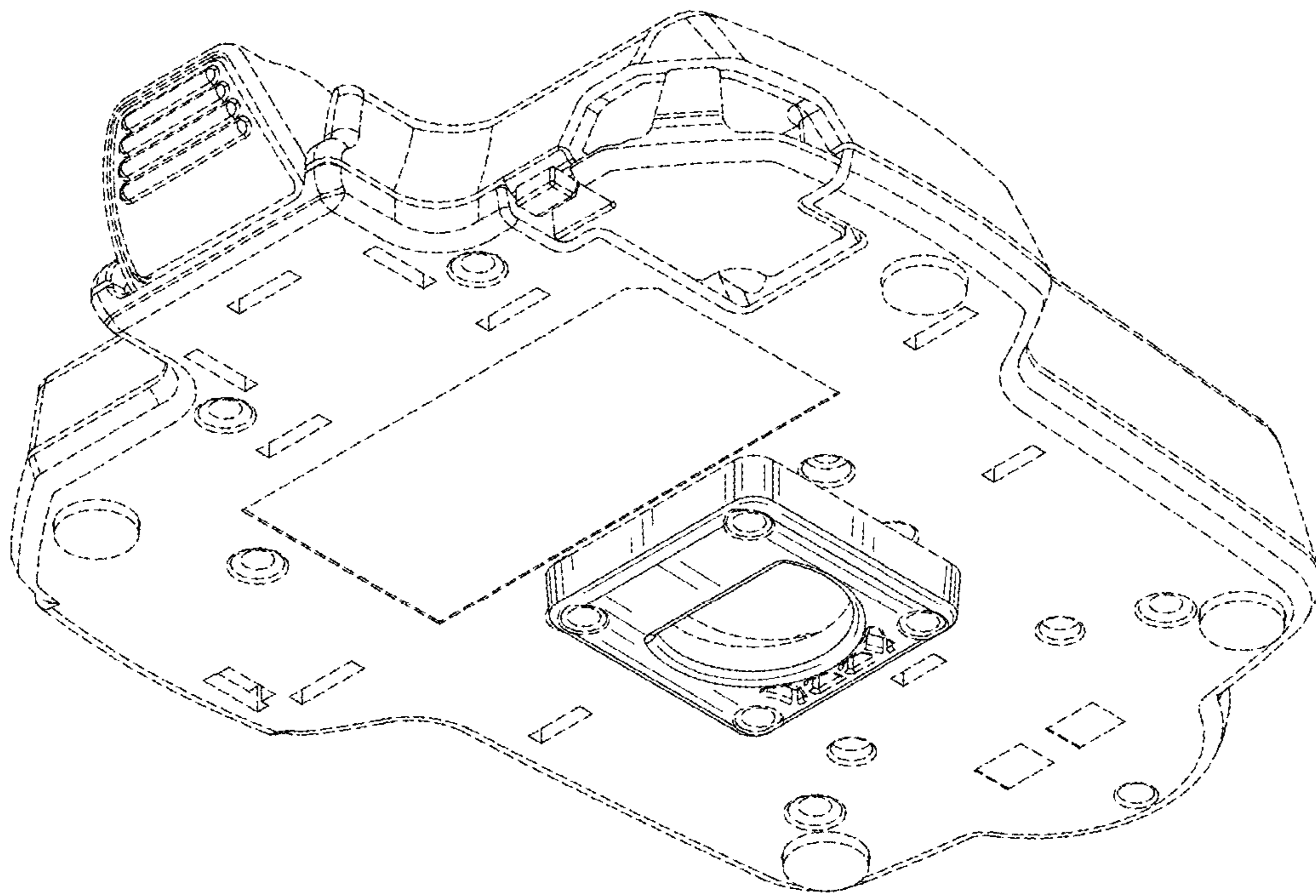


FIG. 2

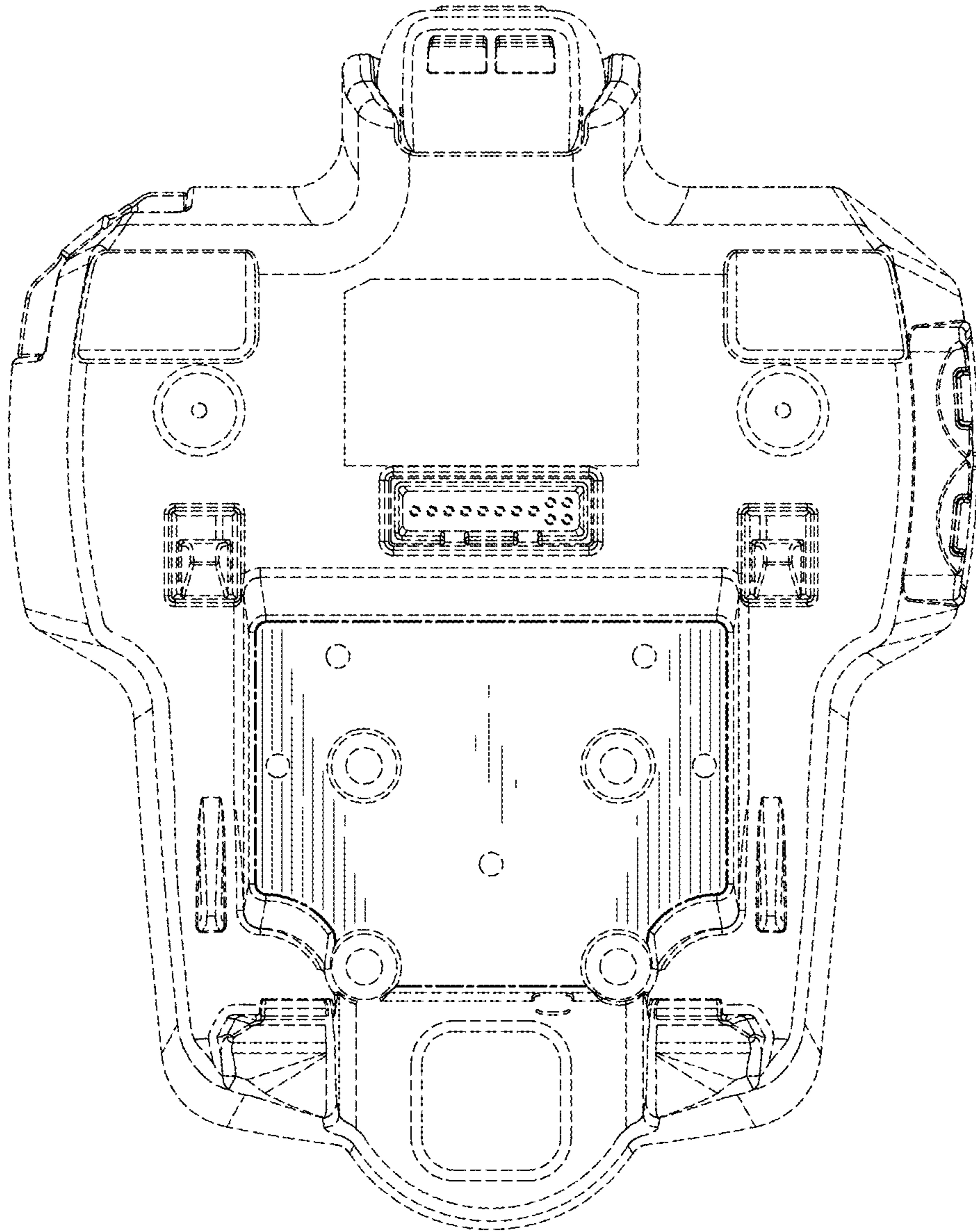


FIG. 3

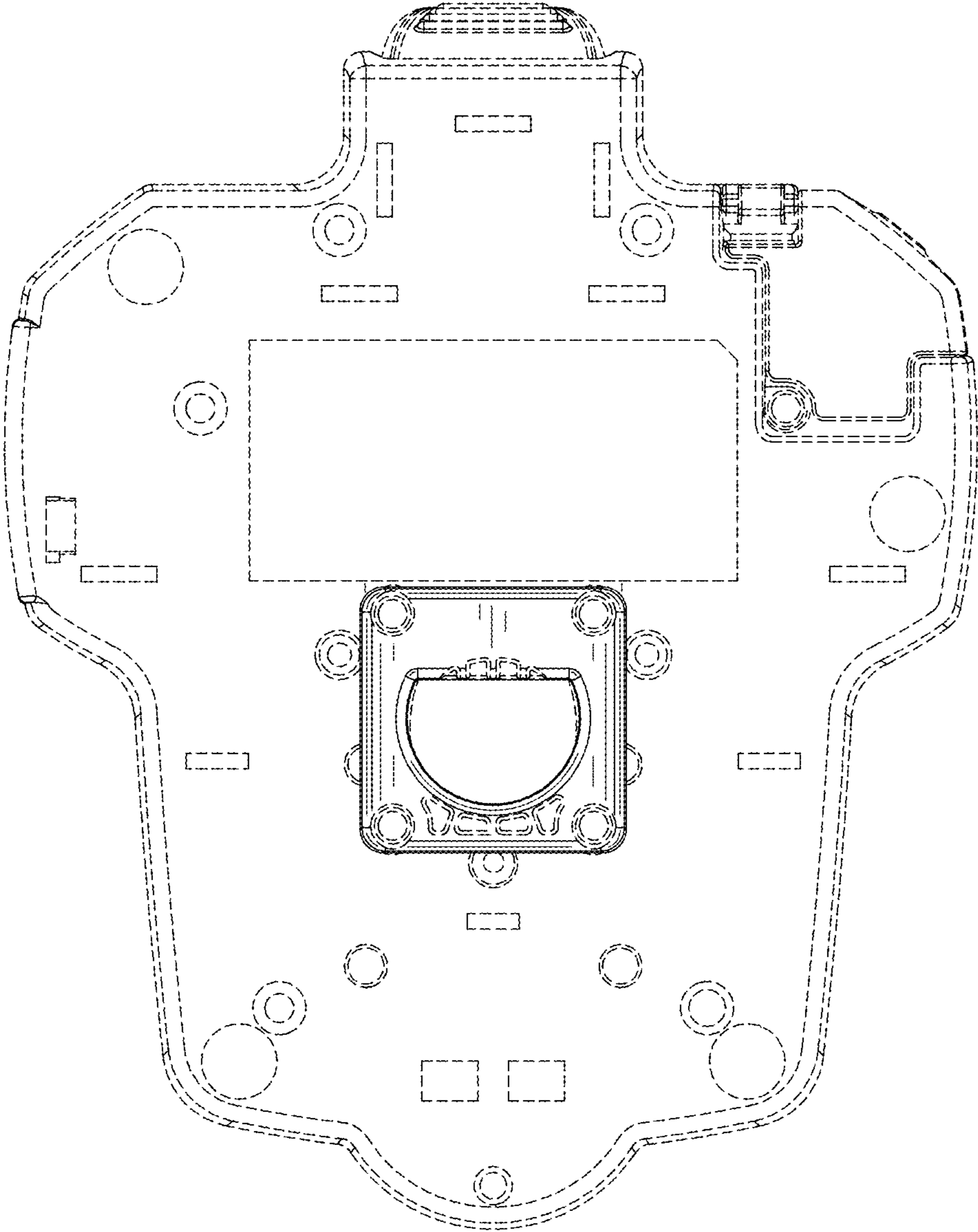


FIG. 4

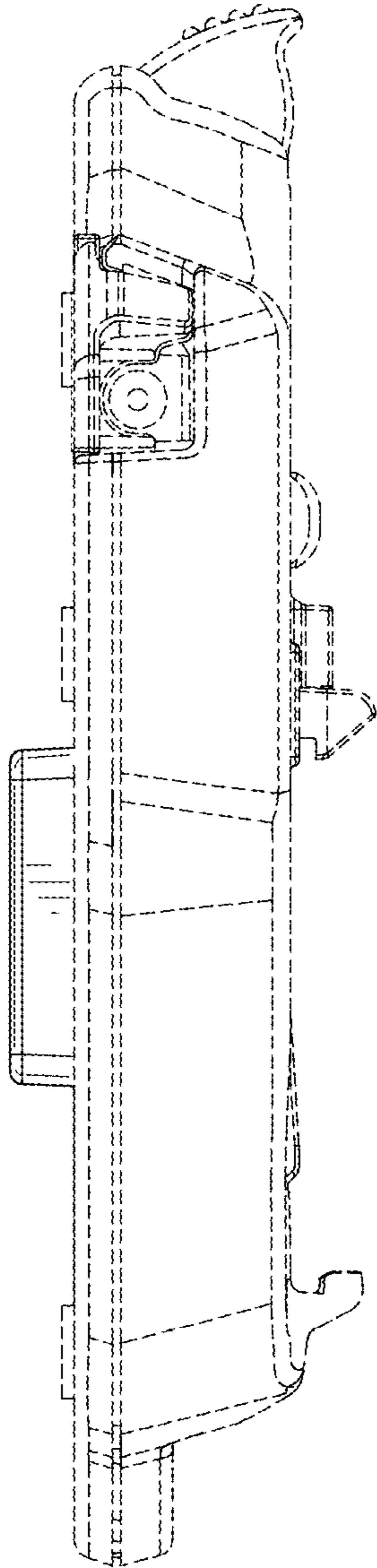


FIG. 5

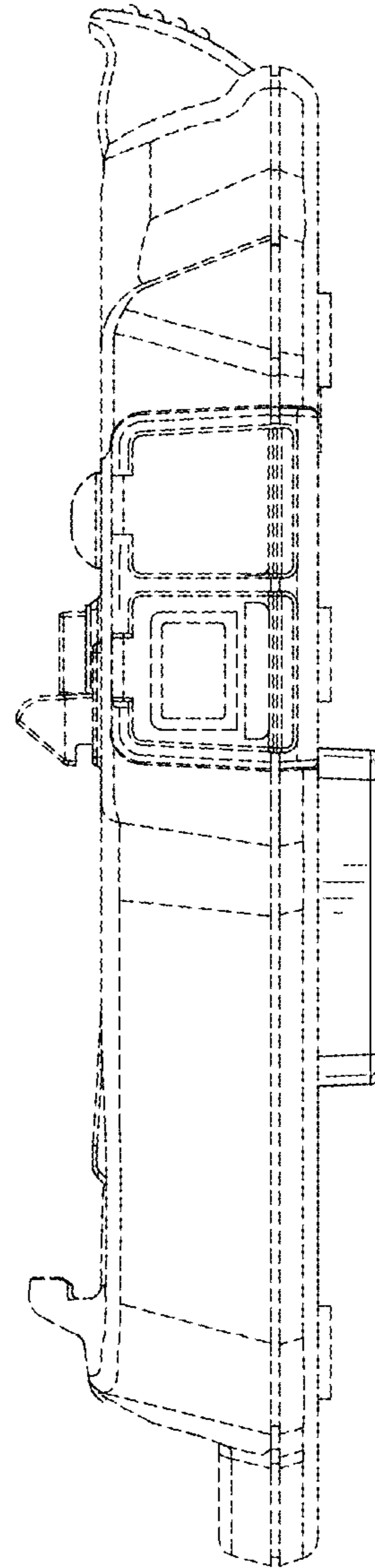


FIG. 6

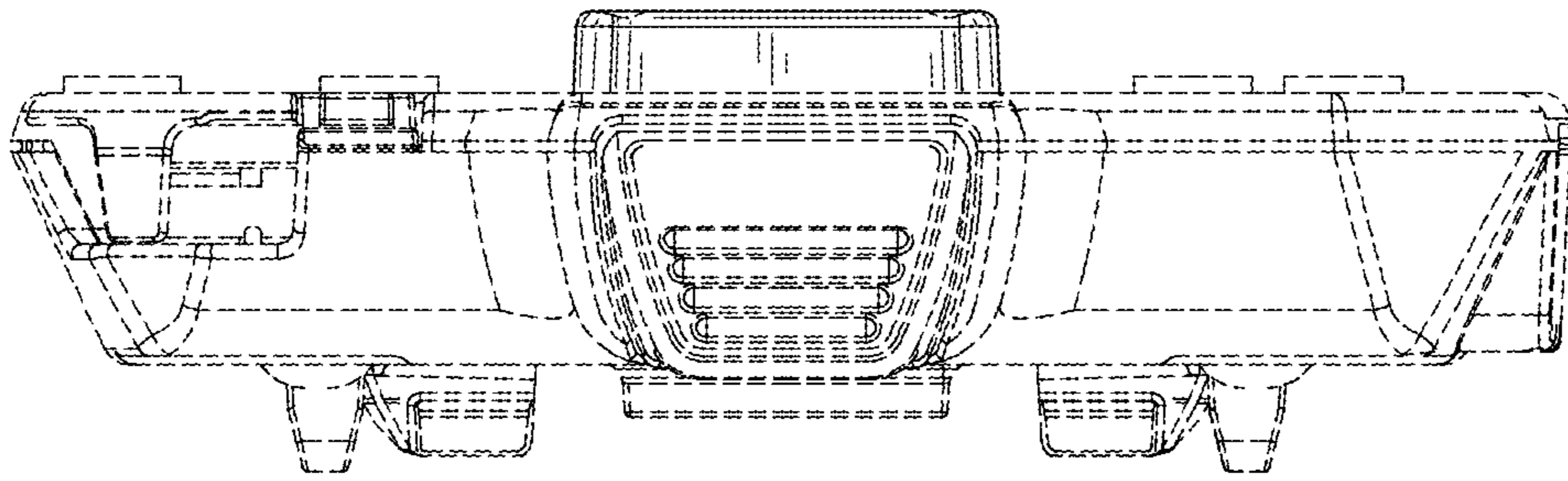


FIG. 7

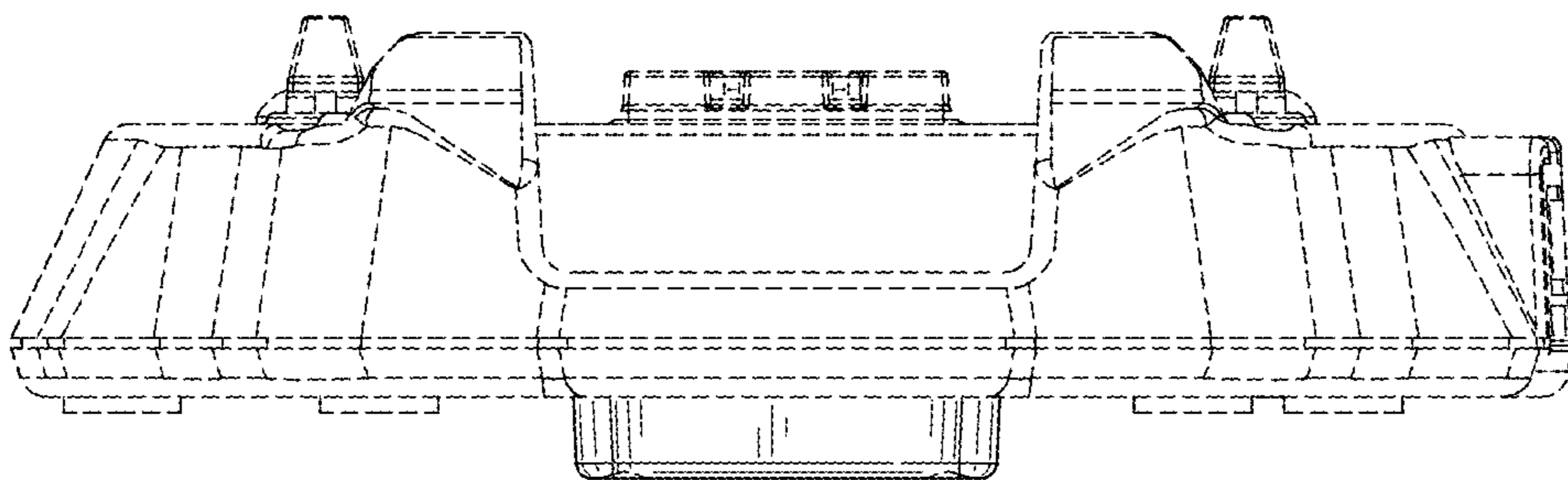


FIG. 8