



US00D771047S

(12) **United States Design Patent**
Martindale

(10) **Patent No.:** **US D771,047 S**

(45) **Date of Patent:** **** Nov. 8, 2016**

(54) **ELECTROMAGNETIC POINTER OR PEN**

(71) Applicant: **Promethean Limited**, Blackburn,
Lancashire (GB)

(72) Inventor: **Melanie Martindale**, Blackburn (GB)

(73) Assignee: **Promethean Limited** (GB)

(**) Term: **15 Years**

(21) Appl. No.: **29/533,463**

(22) Filed: **Jul. 17, 2015**

(30) **Foreign Application Priority Data**

Jan. 19, 2015 (EM) 001429005

(51) **LOC (10) Cl.** **07-05**

(52) **U.S. Cl.**
USPC **D14/411**

(58) **Field of Classification Search**
USPC D14/372, 496, 432, 371, 125, 126, 129,
D14/299, 411; D16/300-342; 351/158, 153,
351/144; 345/7-9, 905; 455/344; 348/115,
348/53, 121, 739
CPC G02B 27/017; G06F 3/016; G06F 3/033;
G06F 3/0317; G06F 3/03545; G06F 3/041;
G06K 9/222

See application file for complete search history.

(56) **References Cited**

U.S. PATENT DOCUMENTS

D431,598 S * 10/2000 Kim D14/411
D527,050 S * 8/2006 Hirota D19/177
D584,355 S * 1/2009 Hidaka D14/411

D595,718 S * 7/2009 Richter D14/411
D686,618 S * 7/2013 Wilson D14/411
D690,303 S * 9/2013 Avery D14/167
D691,137 S * 10/2013 Yeon D14/411
D694,237 S * 11/2013 Momose D14/411
D699,723 S * 2/2014 Nishizawa D14/411
D704,188 S * 5/2014 Leung D14/411
D704,710 S * 5/2014 Chen D14/411
D709,070 S * 7/2014 Leung D14/411
D750,630 S * 3/2016 Nishizawa D14/411

* cited by examiner

Primary Examiner — Austin Murphy

(74) *Attorney, Agent, or Firm* — Brient Globerman, LLC;
Kyle M. Globerman

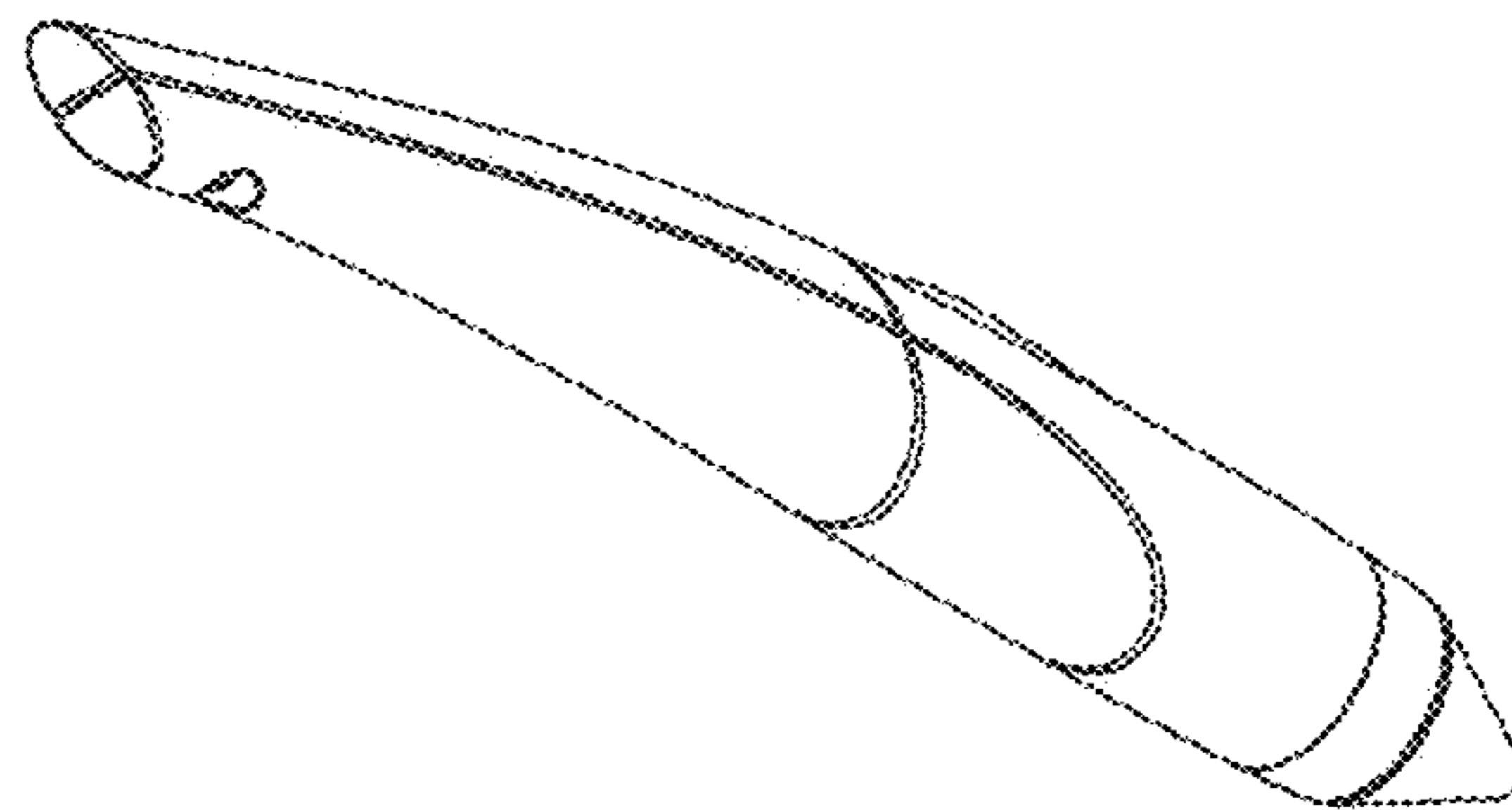
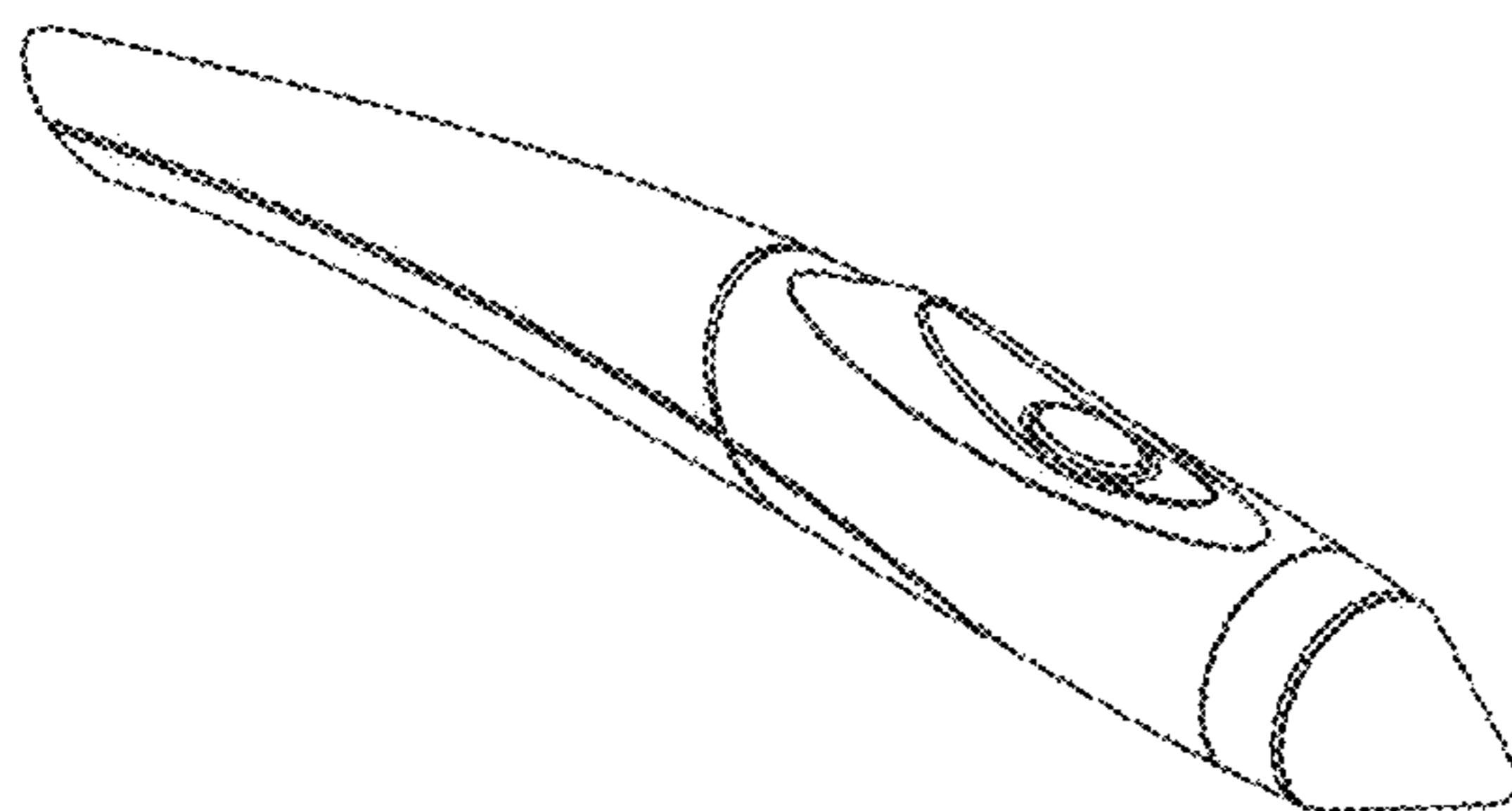
(57) **CLAIM**

The ornamental design of an electromagnetic pointer or pen,
substantially as shown and described.

DESCRIPTION

FIG. 1 is a front view of an electromagnetic pointer or pen
embodying the design of the present invention;
FIG. 2 is a left side view of the electromagnetic pointer or
pen shown in FIG. 1, the right side being a substantial mirror
of the left side;
FIG. 3 is a back side view of the electromagnetic pointer or
pen shown in FIG. 1;
FIG. 4 is a bottom view of the electromagnetic pointer or pen
shown in FIG. 1;
FIG. 5 is a top view of the electromagnetic pointer or pen
shown in FIG. 1;
FIG. 6 is a front perspective view of the electromagnetic
pointer or pen shown in FIG. 1; and,
FIG. 7 is a back perspective view of the electromagnetic
pointer or pen shown in FIG. 1.

1 Claim, 2 Drawing Sheets



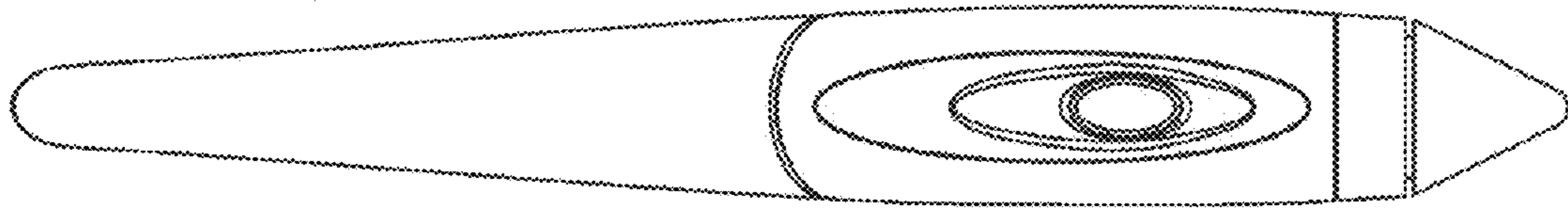


FIG. 1

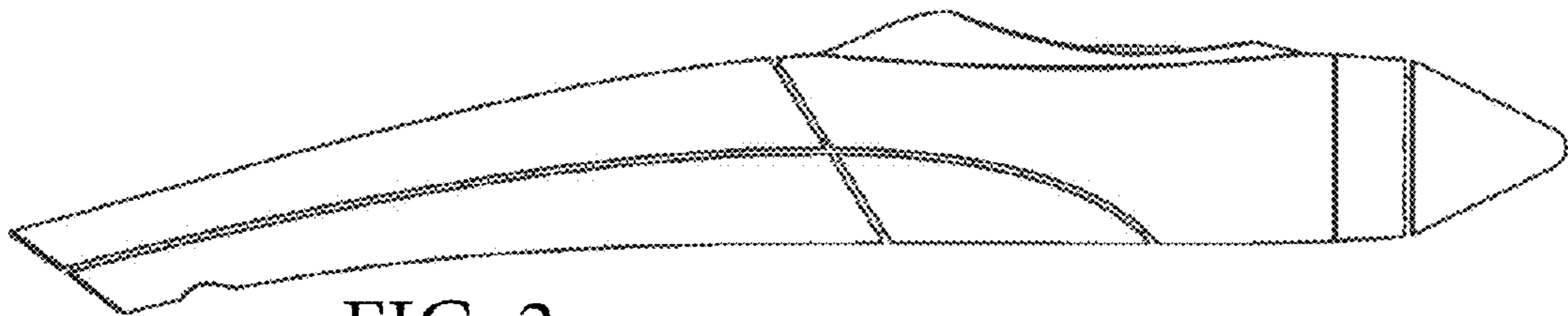


FIG. 2

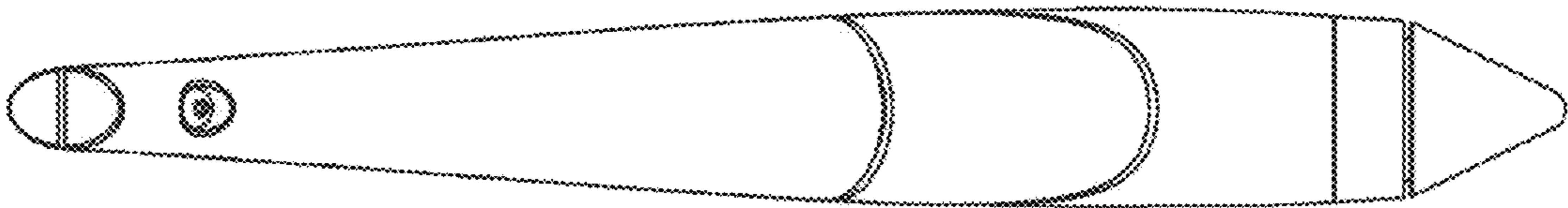


FIG. 3

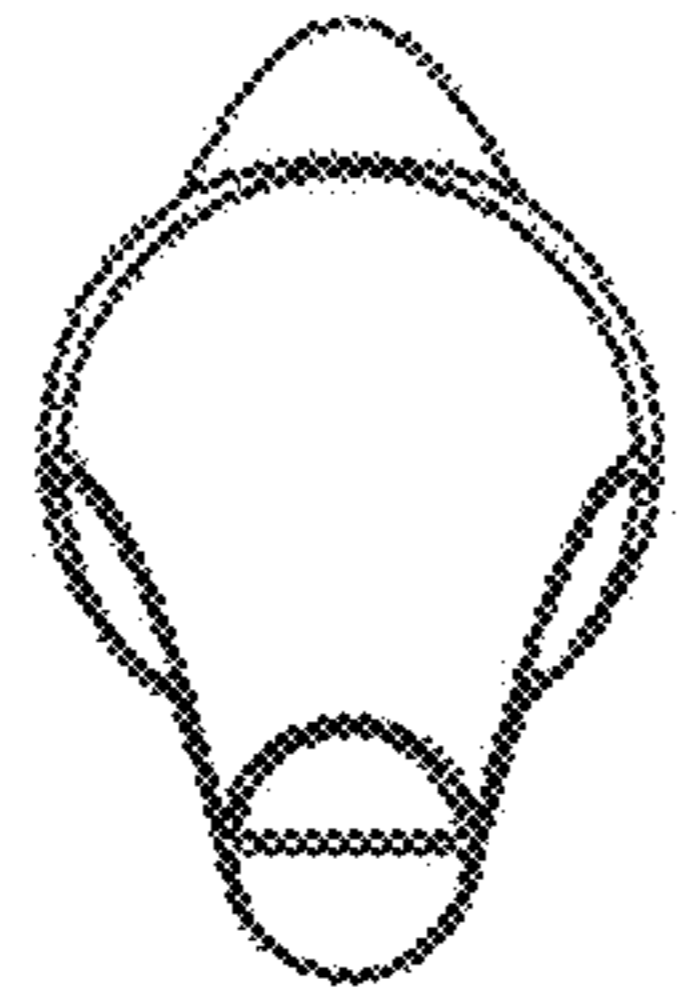


FIG. 4

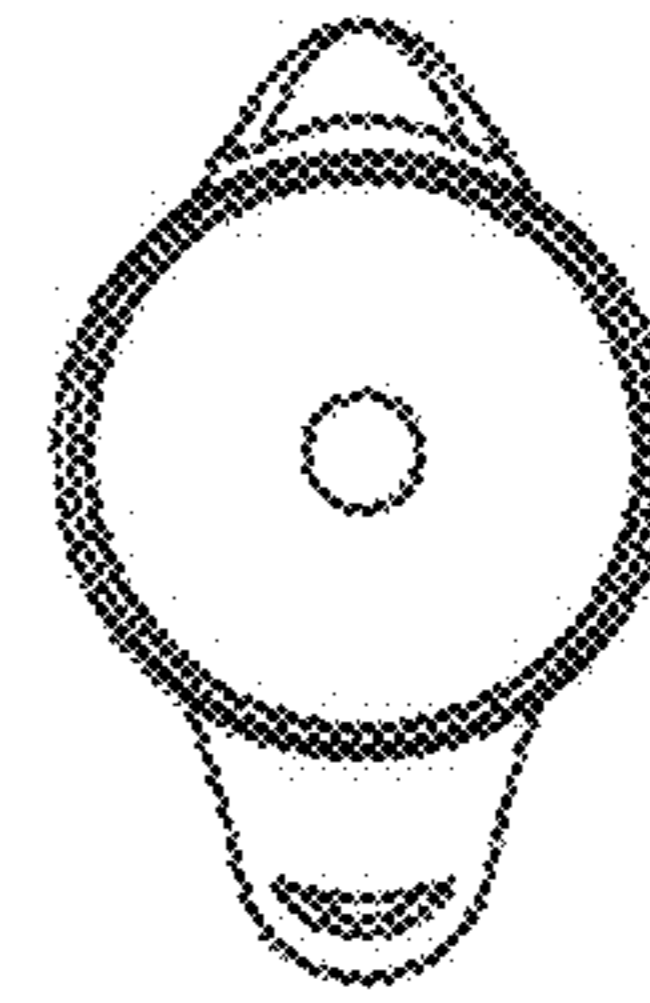


FIG. 5

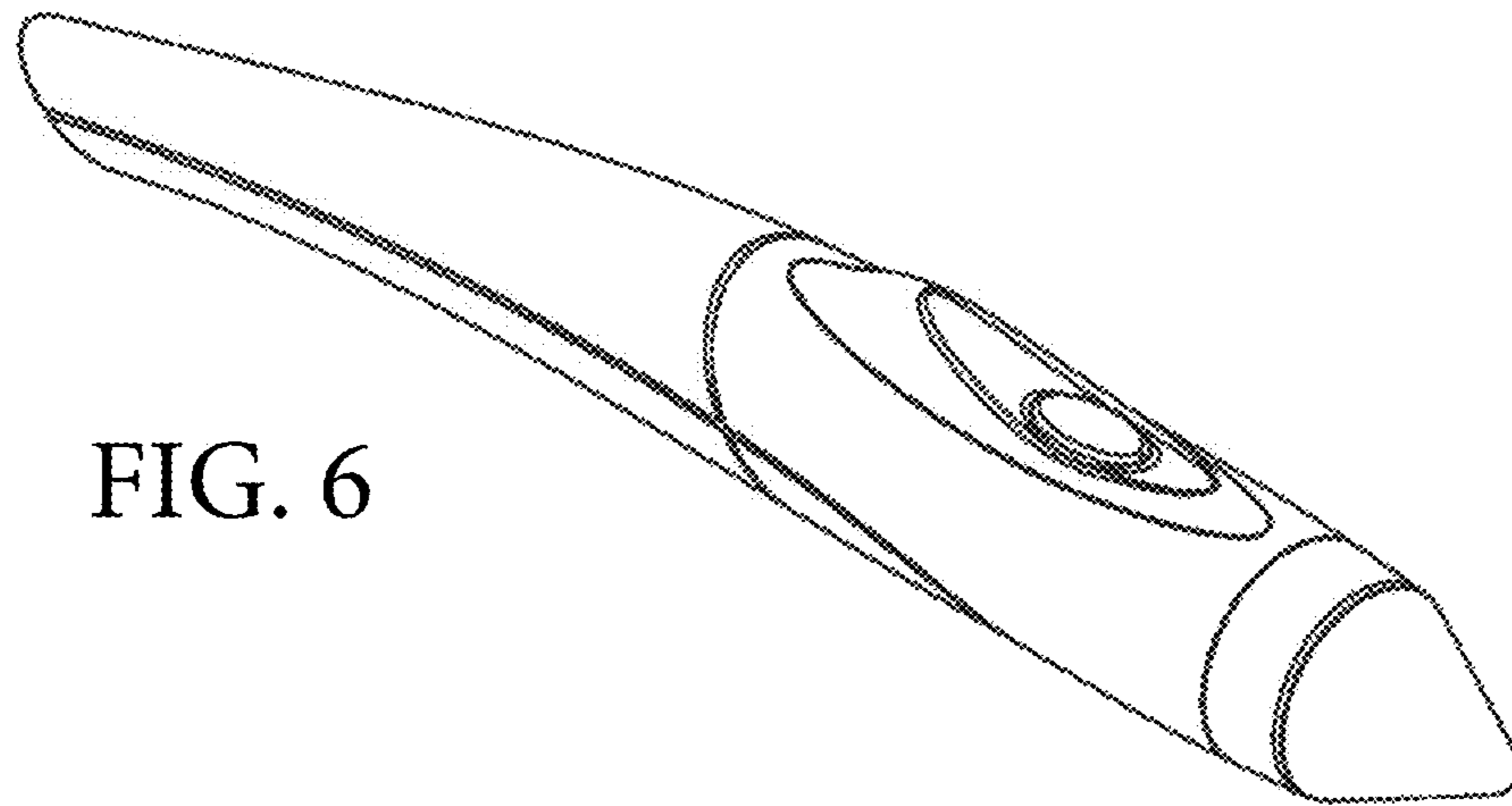


FIG. 6

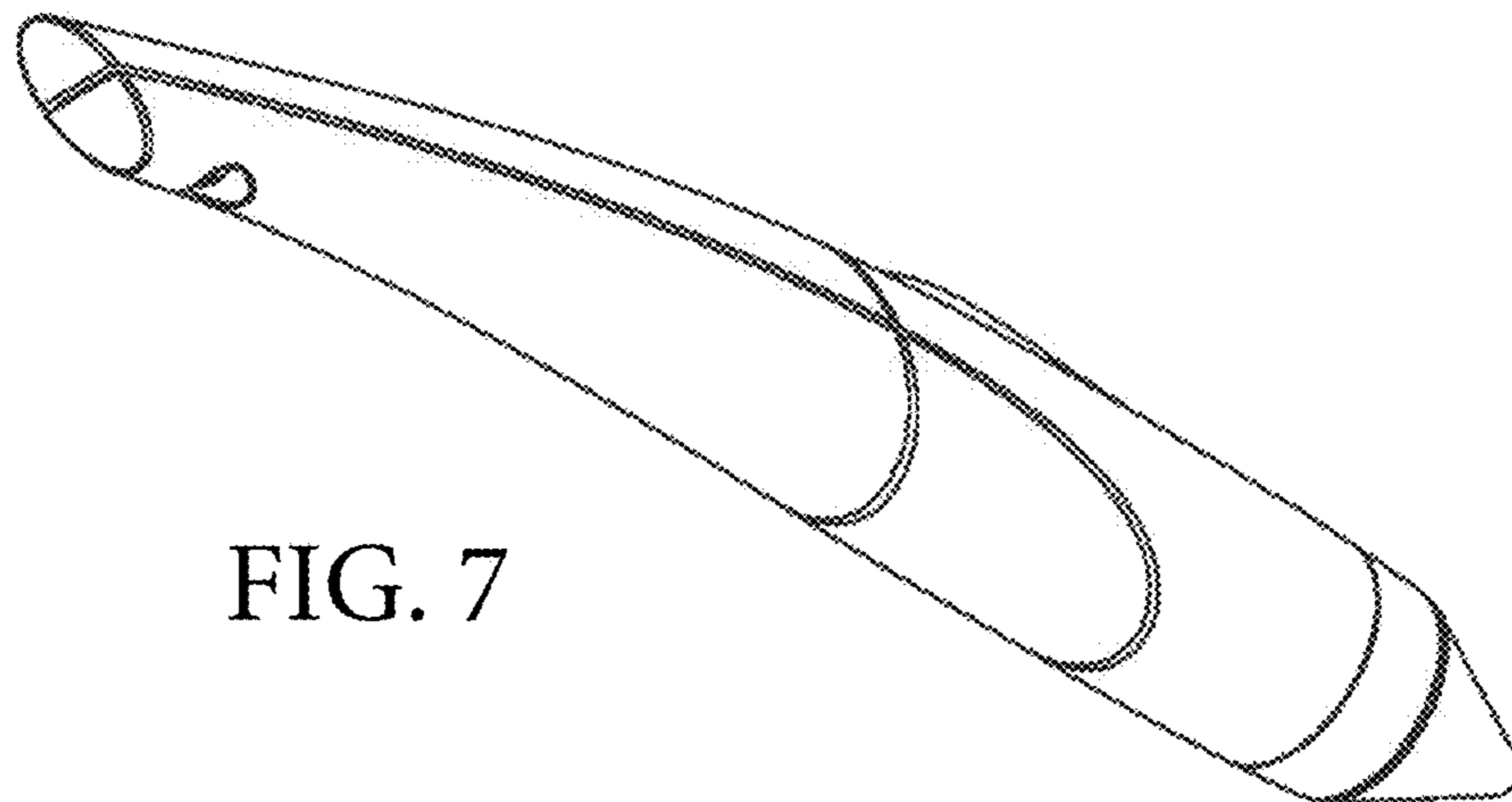


FIG. 7