



US00D771046S

(12) **United States Design Patent**
Jost

(10) **Patent No.:** **US D771,046 S**

(45) **Date of Patent:** **** Nov. 8, 2016**

(54) **COMPUTER MOUSE**

(71) Applicant: **Roccat GmbH**, Hamburg (DE)

(72) Inventor: **Andreas Jost**, Hamburg (DE)

(73) Assignee: **Roccat GmbH**, Hamburg (DE)

(**) Term: **15 Years**

(21) Appl. No.: **29/534,255**

(22) Filed: **Jul. 27, 2015**

(51) **LOC (10) Cl.** **14-02**

(52) **U.S. Cl.**
USPC **D14/410**

(58) **Field of Classification Search**
USPC D14/402-411, 356, 388, 389, 383-385,
D14/417, 426; 345/156-167; 463/36-38;
358/471, 473; 273/148 B
CPC G06F 3/03543; G06F 2203/0333;
G06F 3/039; G06F 3/038; G06F 2203/0384
See application file for complete search history.

(56) **References Cited**

U.S. PATENT DOCUMENTS

D558,205 S * 12/2007 Huang D14/408
D562,820 S * 2/2008 Fisher D14/408

D562,821 S * 2/2008 Fisher D14/408
D640,257 S * 6/2011 Lee D14/410
D680,113 S * 4/2013 Li D14/409
D711,380 S * 8/2014 Urban D14/410
D712,903 S * 9/2014 Lai D14/409
D762,646 S * 8/2016 Chong D14/409
D764,470 S * 8/2016 Jost D14/406

* cited by examiner

Primary Examiner — Austin Murphy

(74) *Attorney, Agent, or Firm* — Inventa Capital PLC

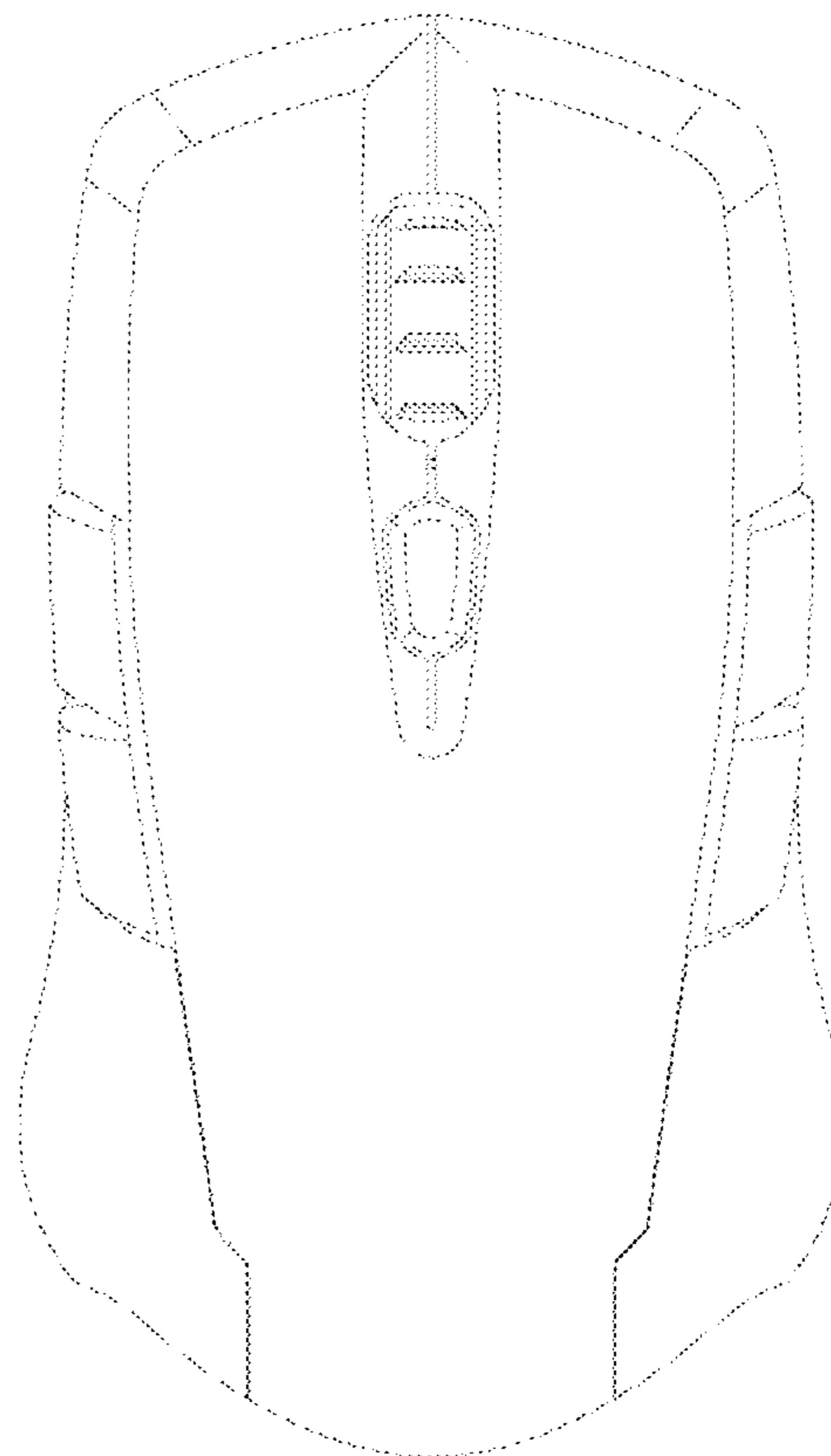
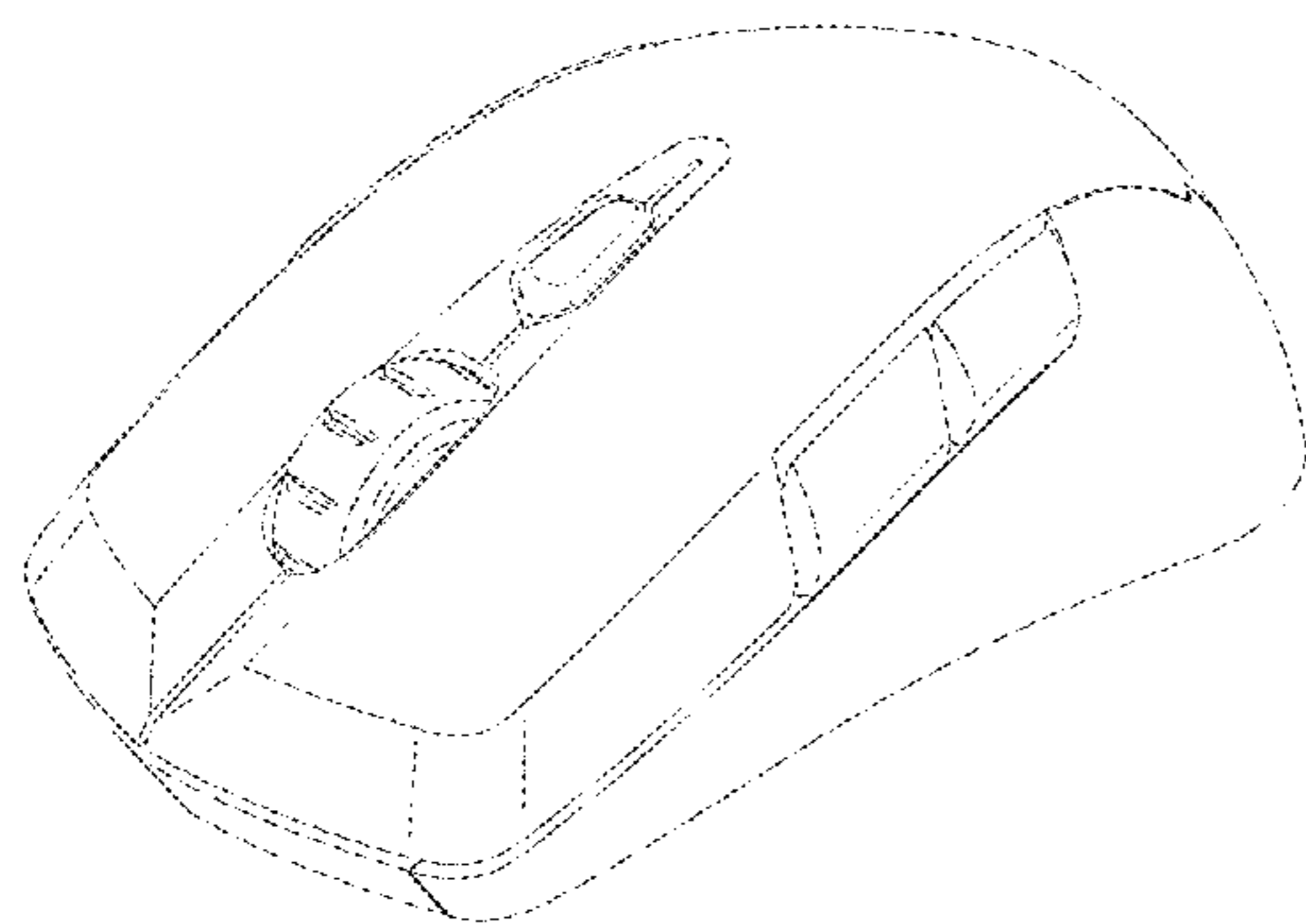
(57) **CLAIM**

I claim the ornamental design for a computer mouse, as shown and described.

DESCRIPTION

FIG. 1 is a perspective front view of a computer mouse; FIG. 2 is a perspective back view of the computer mouse; FIG. 3 is a front view of the computer mouse; FIG. 4 is a back view of the computer mouse; FIG. 5 is a left side view of the computer mouse; FIG. 6 is a right side view of the computer mouse; FIG. 7 is a top view of the computer mouse; and, FIG. 8 is a bottom view of the computer mouse.

1 Claim, 5 Drawing Sheets



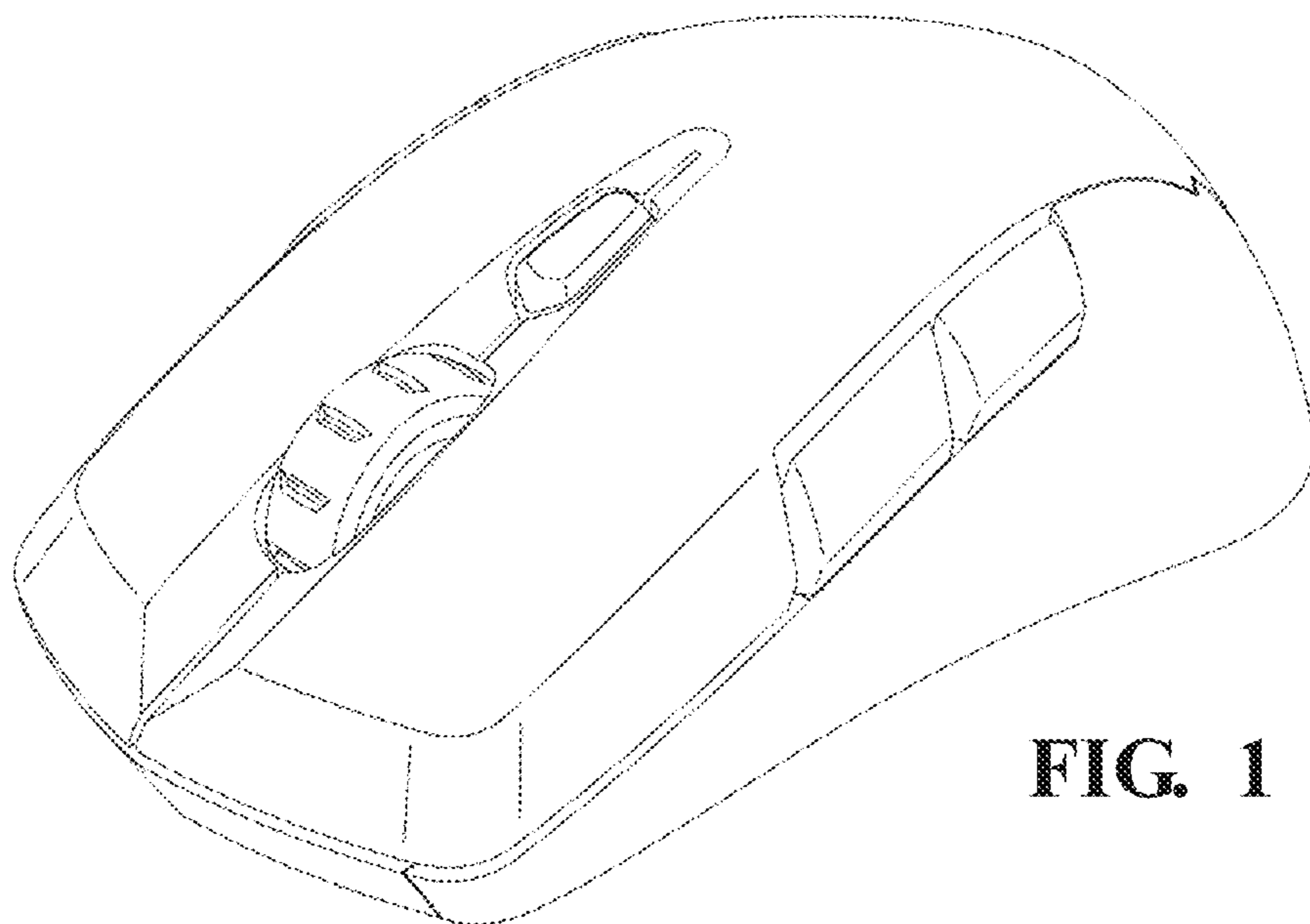
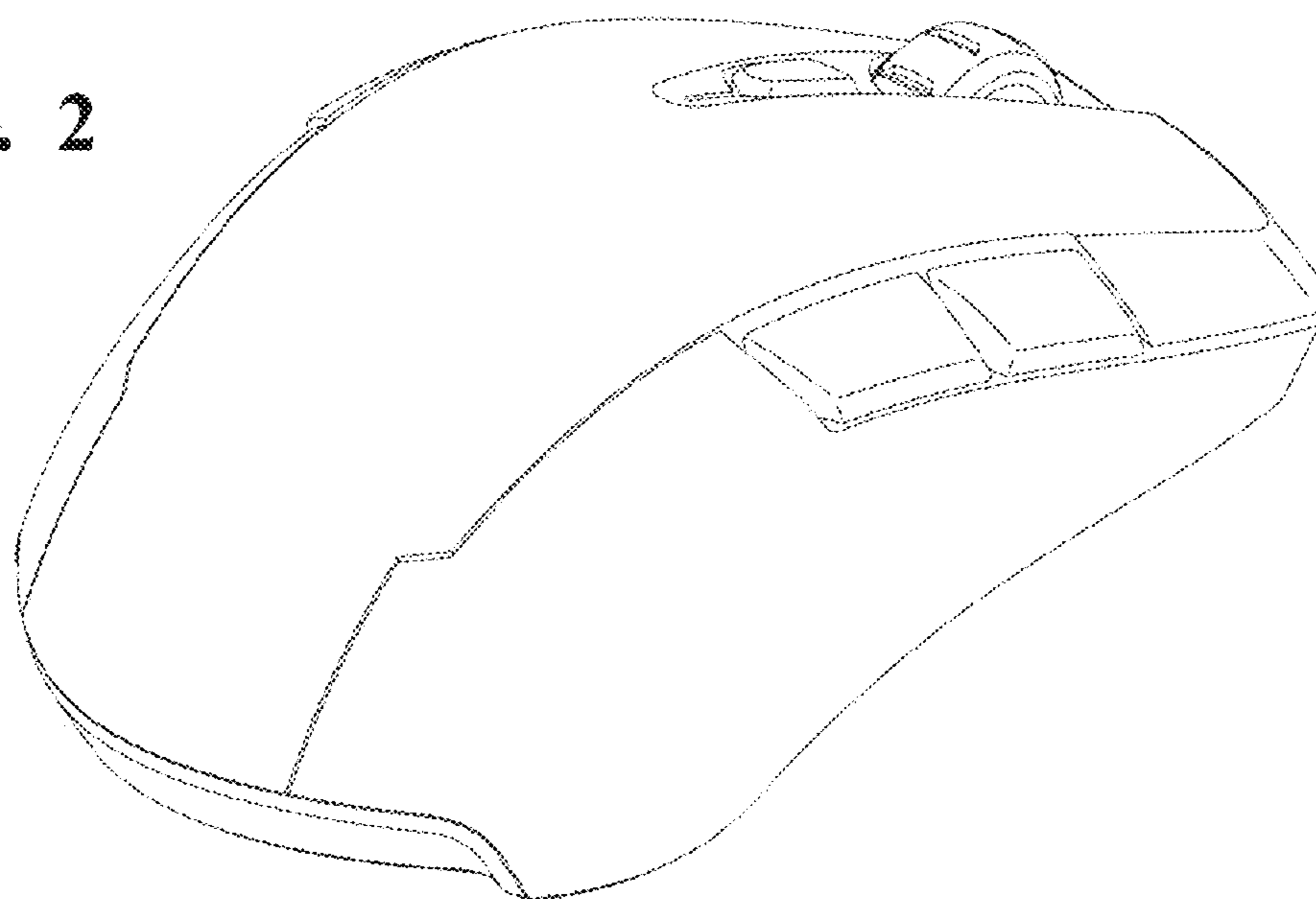


FIG. 1

FIG. 2



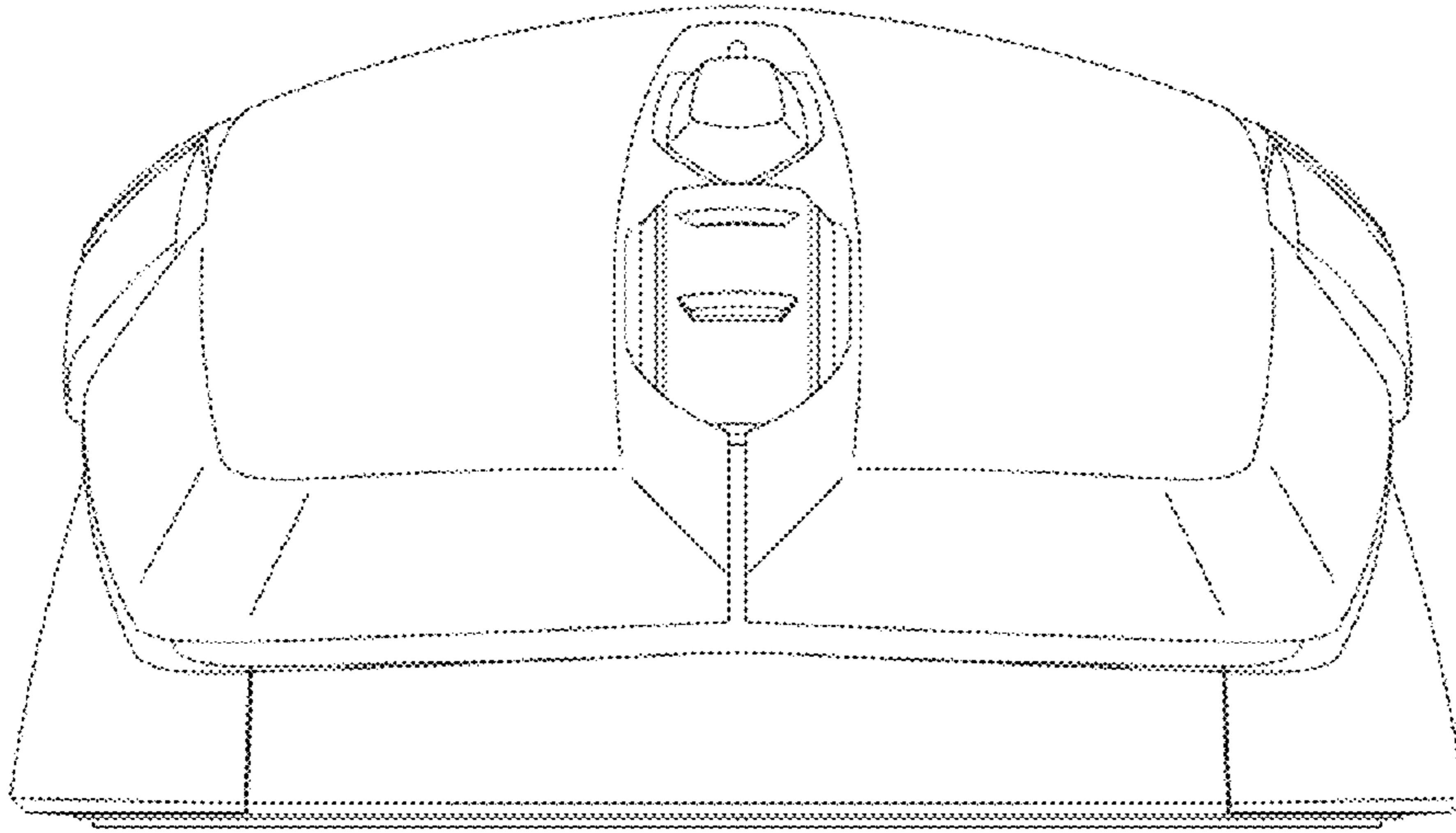


FIG. 3

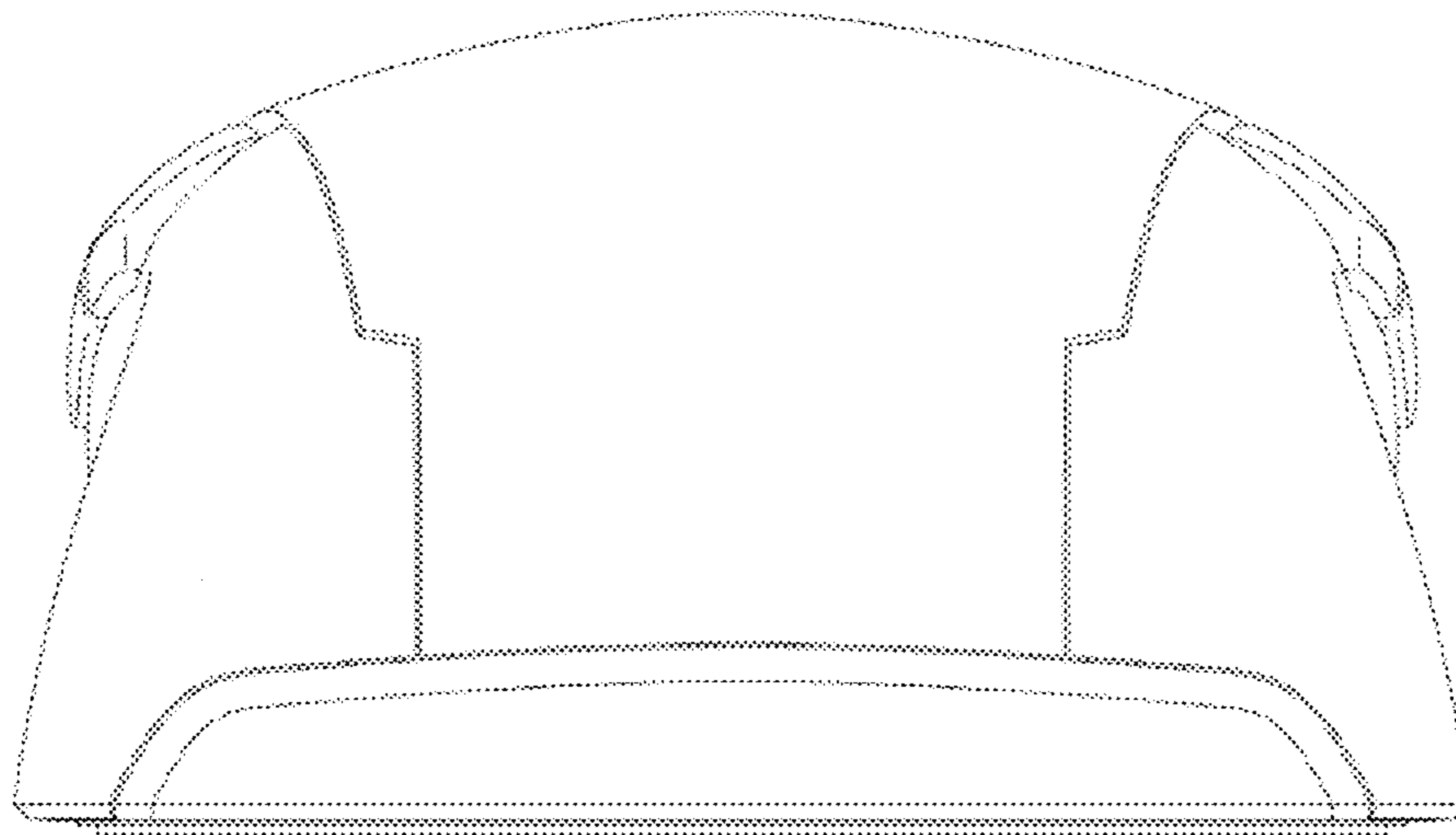


FIG. 4

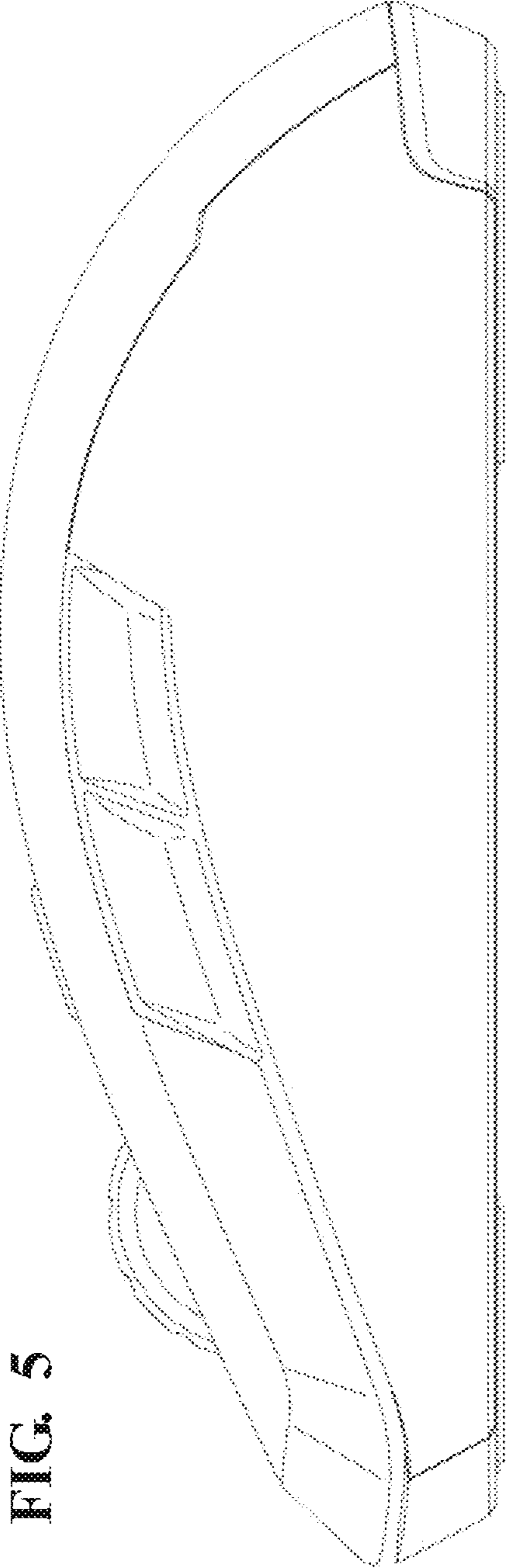


FIG. 5

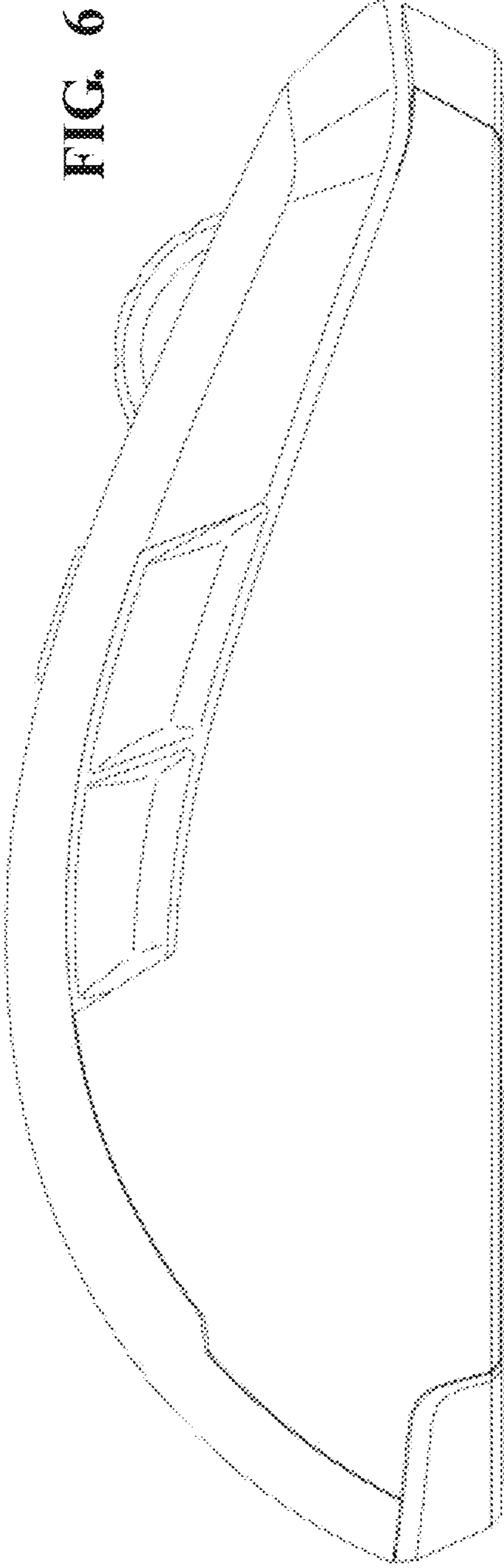


FIG. 6

FIG. 7

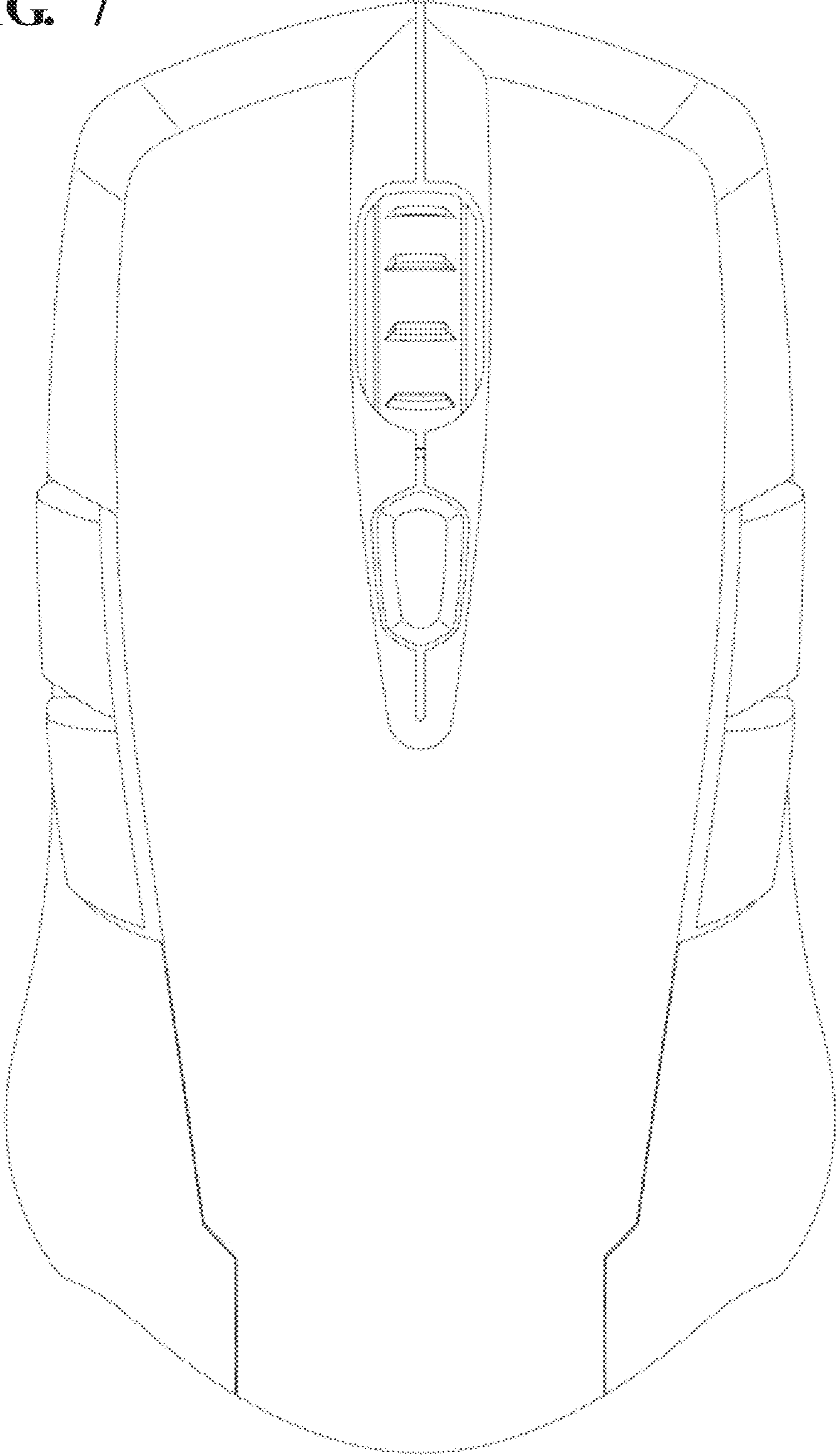


FIG. 8

