



US00D771043S

(12) **United States Design Patent** (10) **Patent No.:** **US D771,043 S**
Avetisov et al. (45) **Date of Patent:** **** Nov. 8, 2016**

(54) **BIOMETRIC PAYMENT GATEWAY DEVICE**

(71) Applicant: **HYPR Corp.**, New York, NY (US)

(72) Inventors: **George Avetisov**, New York, NY (US);
Roman Kadinsky, New York, NY (US); **Bojan Simic**, New York, NY (US)

(73) Assignee: **HYPR CORP**, New York, NY (US)

(**) Term: **14 Years**

(21) Appl. No.: **29/526,700**

(22) Filed: **May 12, 2015**

(51) **LOC (10) Cl.** **14-02**

(52) **U.S. Cl.**
USPC **D14/384**

(58) **Field of Classification Search**
USPC D14/300–302, 313, 314, 341, 348–370,
D14/383, 385, 432, 436, 496, 125, 135, 134,
D14/155, 167, 168, 230, 231, 233, 235, 237,
D14/240–242, 299; D10/65, 75, 78;
D13/103, 149, 162, 184, 199;
D18/4.4–4.6, 12.1, 56;
361/679.31–679.45, 752; 711/100,
711/115; 382/115, 124; 356/71; 235/380,
235/461, 382, 472.01, 472.02; D3/201, 273
CPC G06K 9/00006; G06K 7/0013; G06K
9/00026; G06F 21/00; G06Q 30/00
See application file for complete search history.

(56) **References Cited**

U.S. PATENT DOCUMENTS

6,167,517 A	12/2000	Gilchrist	
D486,484 S *	2/2004	Bloomberg	D14/138 R
D494,175 S *	8/2004	Kawasaki	D14/384
D516,069 S *	2/2006	Kuroda	D14/384
D522,510 S *	6/2006	Su	D14/384
D537,820 S *	3/2007	Hsu	D14/480.1
D542,291 S *	5/2007	Kang	D14/384
7,269,737 B2	9/2007	Robinson	
D591,706 S *	5/2009	Constin	D14/138 AD

D592,660 S *	5/2009	Wang	D14/356
D593,559 S *	6/2009	Lin	D14/384
D649,548 S *	11/2011	Szoke	D14/358
8,117,438 B1	2/2012	Albisu	
D661,211 S *	6/2012	Hou	D10/104.1
D698,792 S *	2/2014	Lin	D14/435
D703,205 S *	4/2014	Tamura	D14/383
8,838,502 B2	9/2014	Niwa	
D718,307 S *	11/2014	Ozolins	D14/383
D741,862 S *	10/2015	Beroukhim	D14/384
2003/0229811 A1	12/2003	Siegel	
2007/0067642 A1	3/2007	Singhal	
2014/0289833 A1	9/2014	Briceno	

* cited by examiner

Primary Examiner — Austin Murphy

(74) *Attorney, Agent, or Firm* — Pillsbury Winthrop Shaw Pittman LLP

(57) **CLAIM**

The ornamental design for a biometric payment gateway device, as shown and described.

DESCRIPTION

FIG. 1 is a front-side view of the biometric payment gateway device;
 FIG. 2 is a back-side view of the biometric payment gateway device;
 FIG. 3 is a left-side view of the biometric payment gateway device;
 FIG. 4 is a right-side view of the biometric payment gateway device;
 FIG. 5 is a top-side view of the biometric payment gateway device;
 FIG. 6 is a bottom-side view of the biometric payment gateway device;
 FIG. 7 is a first perspective view of the biometric payment gateway device;
 FIG. 8 is a second perspective view of the biometric payment gateway device;
 FIG. 9 is a perspective view of the biometric payment gateway device in an opened configuration;
 FIG. 10 is a front-side view of the biometric payment gateway device shown as applied to an exemplary portable electronic device;

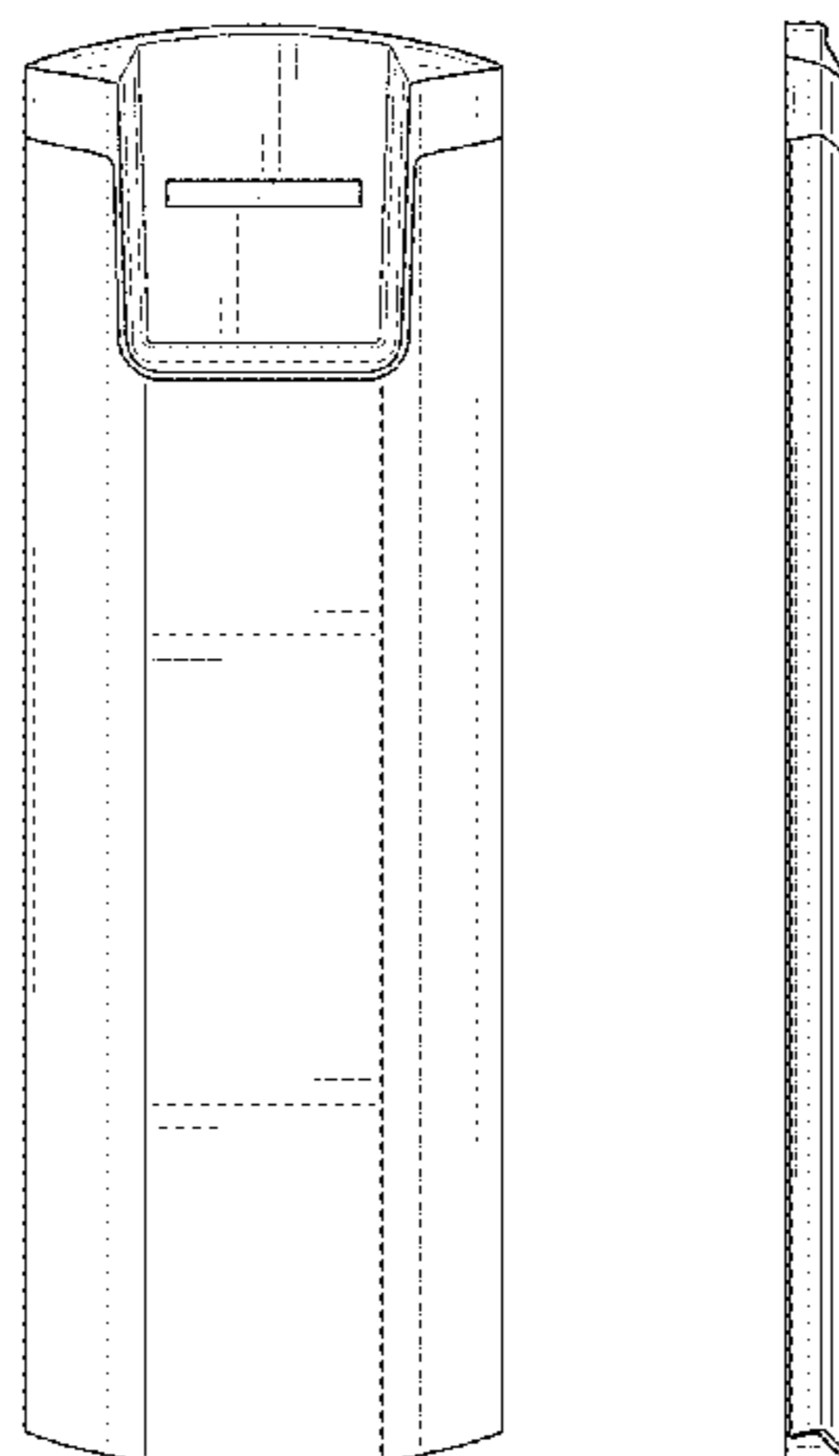


FIG. **11** is a left-side view of the biometric payment gateway device shown as applied to an exemplary portable electronic device;

FIG. **12** is a right-side view of the biometric payment gateway device shown as applied to an exemplary portable electronic device;

FIG. **13** is a top-side view of the biometric payment gateway device shown as applied to an exemplary portable electronic device;

FIG. **14** is a bottom-side view of the biometric payment gateway device shown as applied to an exemplary portable electronic device;

FIG. **15** is a first perspective view of the biometric payment gateway device shown as applied to an exemplary portable electronic device;

FIG. **16** is a second perspective view of the biometric payment gateway device shown as applied to an exemplary portable electronic device;

FIG. **17** is a perspective view of the biometric payment gateway device shown as detached from an exemplary portable electronic device; and,

FIG. **18** is a front-side view of the biometric payment gateway device shown as connected to an exemplary key-chain.

The subject matter in broken lines forms no part of the claimed design.

1 Claim, 14 Drawing Sheets

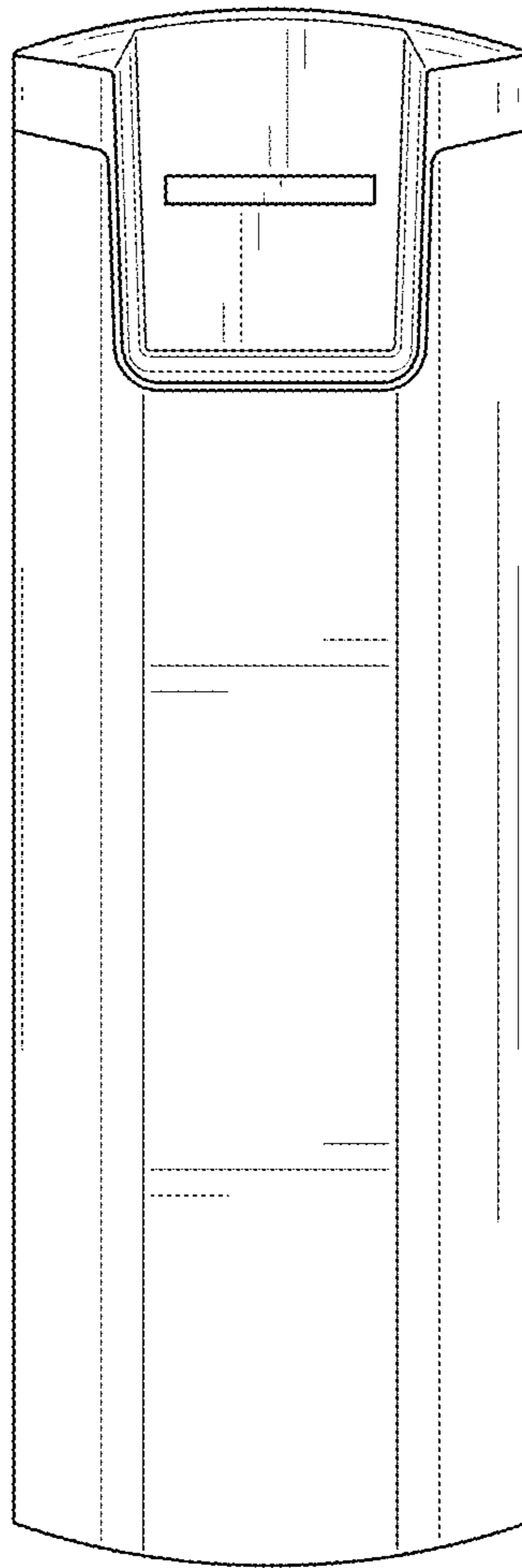


FIG. 1

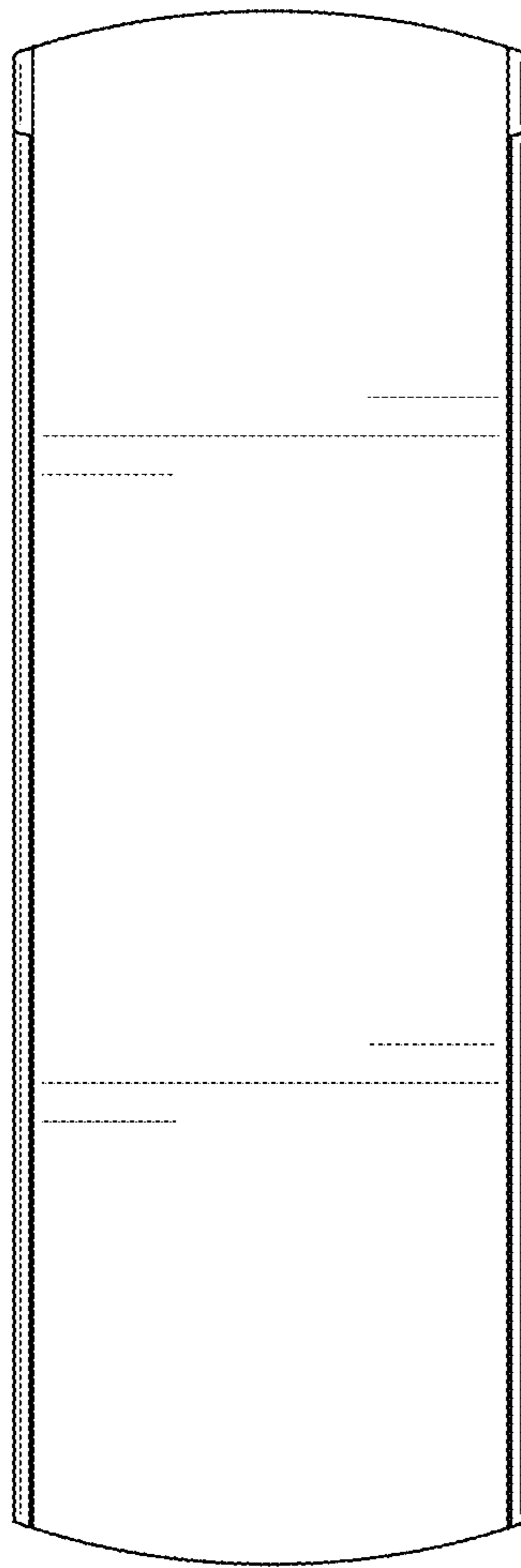


FIG. 2

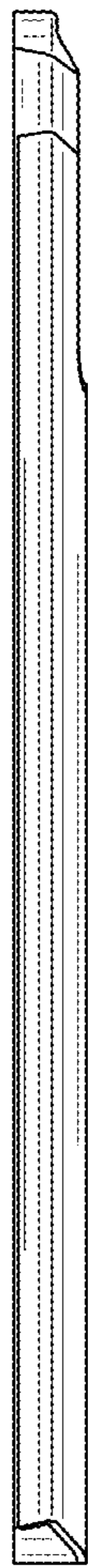


FIG. 3

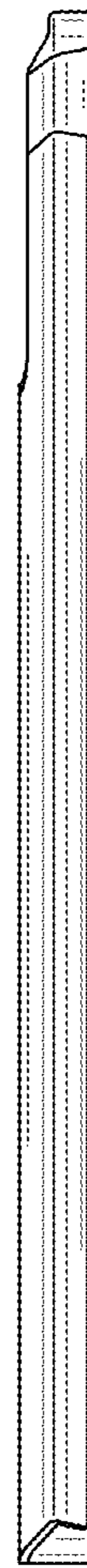


FIG. 4

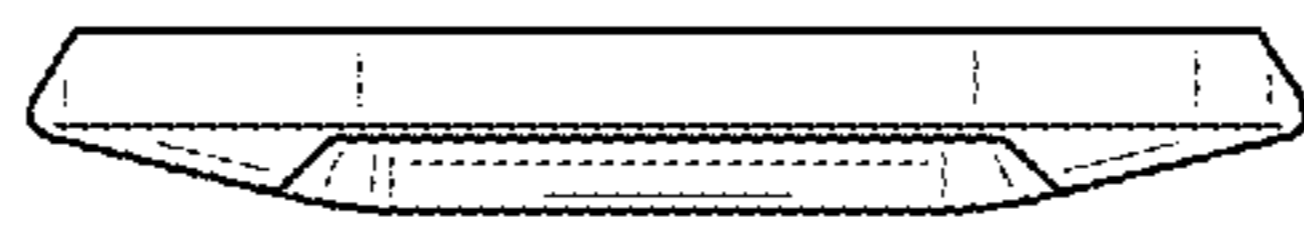


FIG. 5

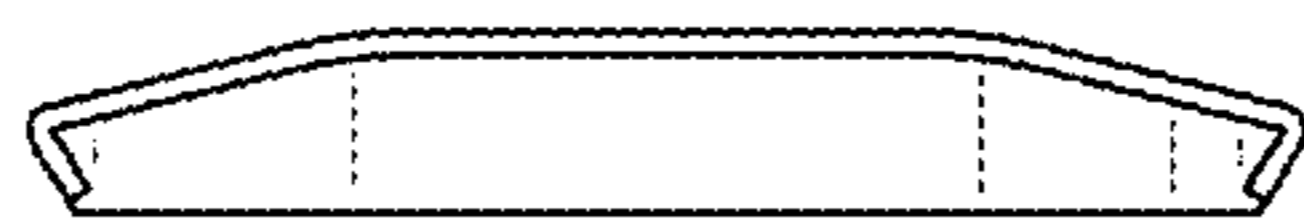


FIG. 6

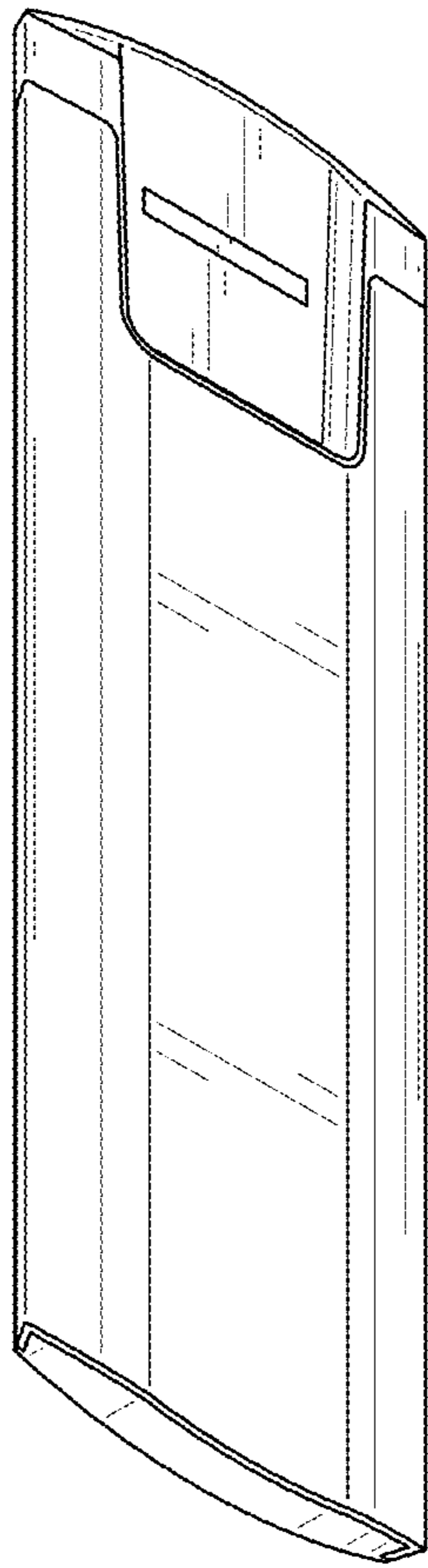


FIG. 7

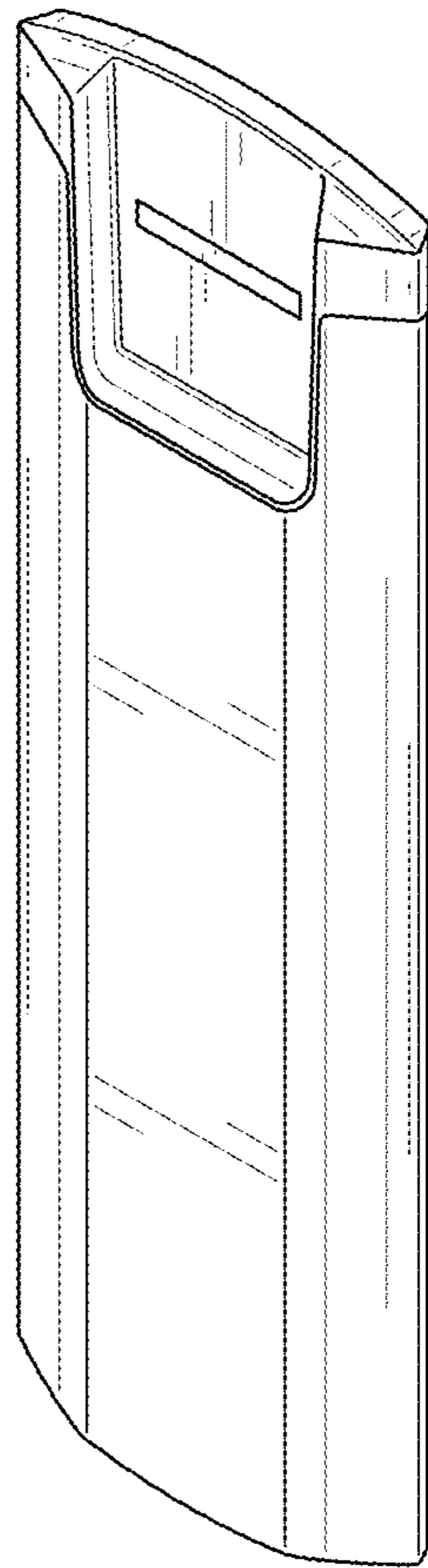


FIG. 8

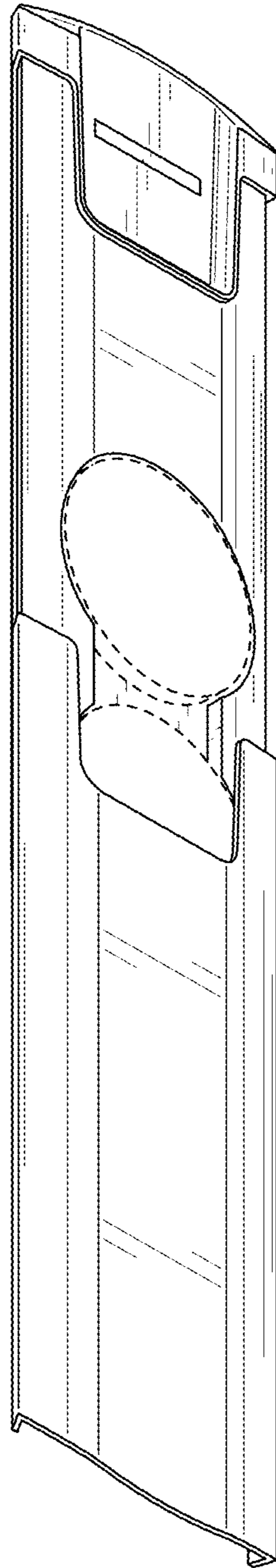


FIG. 9

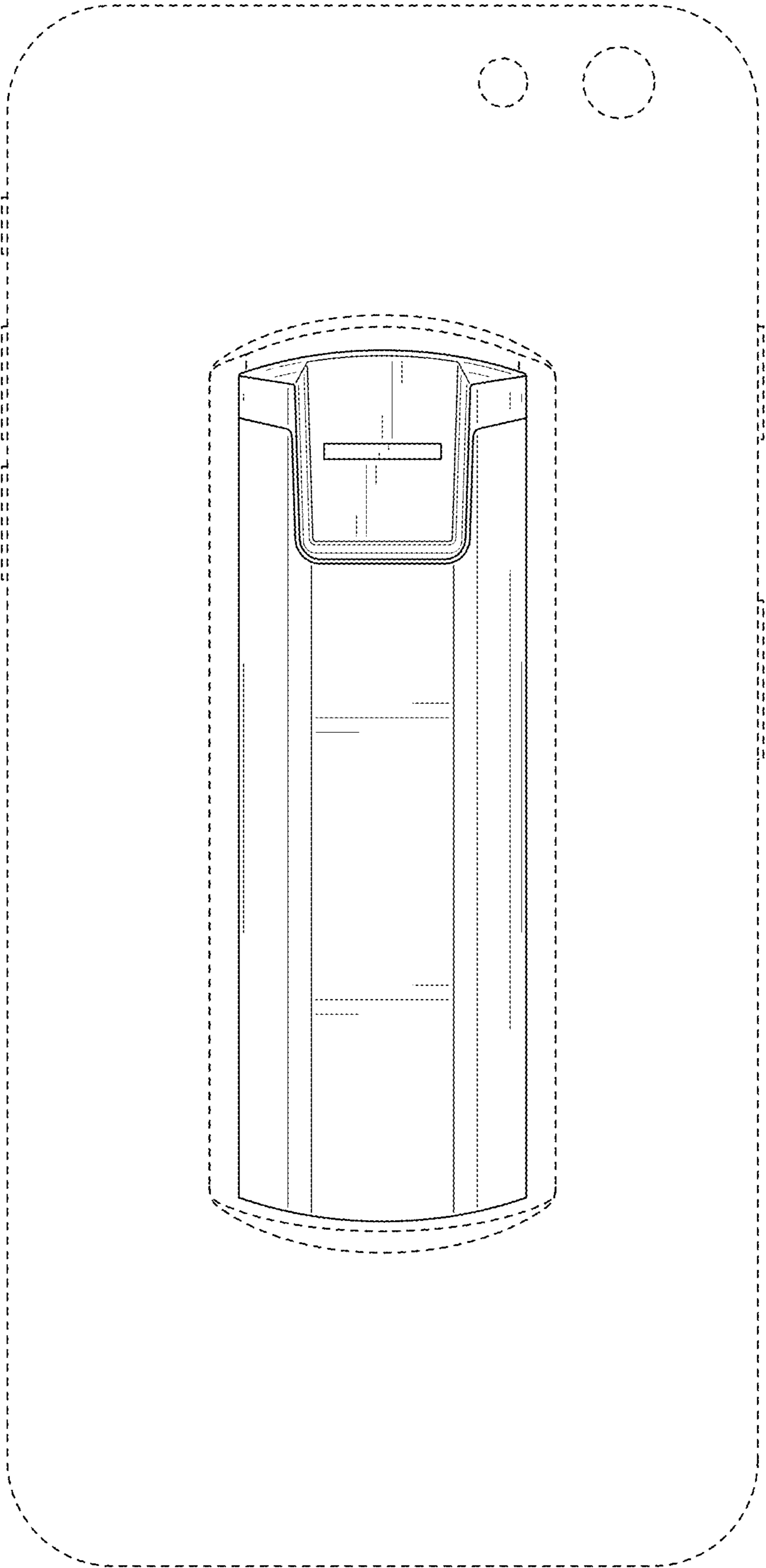


FIG. 10

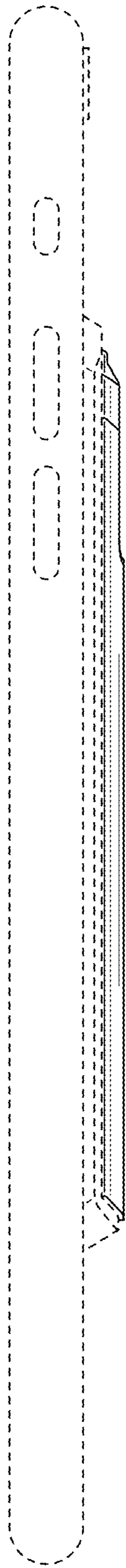


FIG. 11

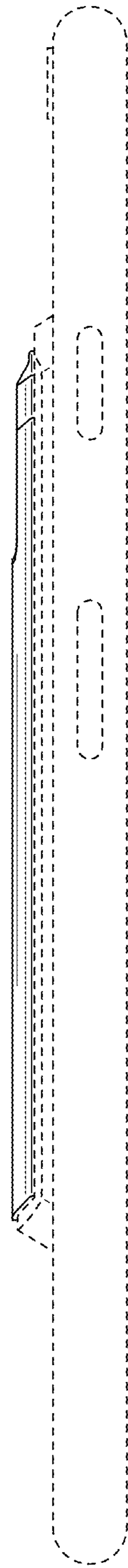


FIG. 12

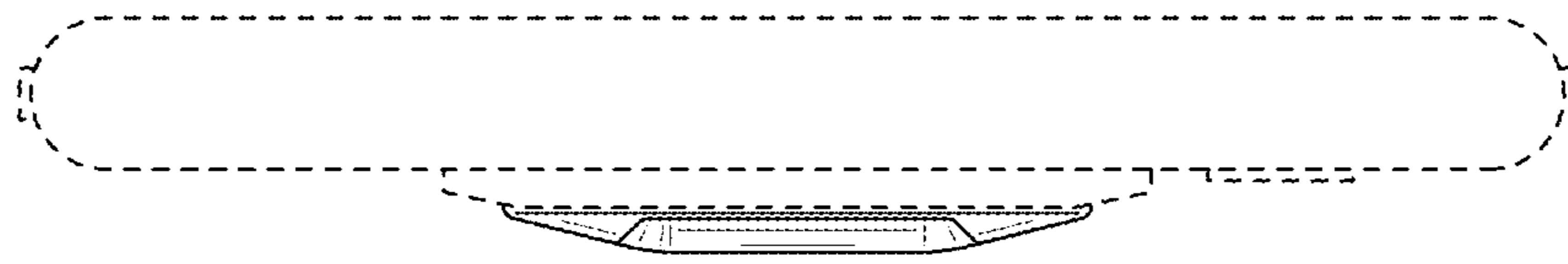


FIG. 13

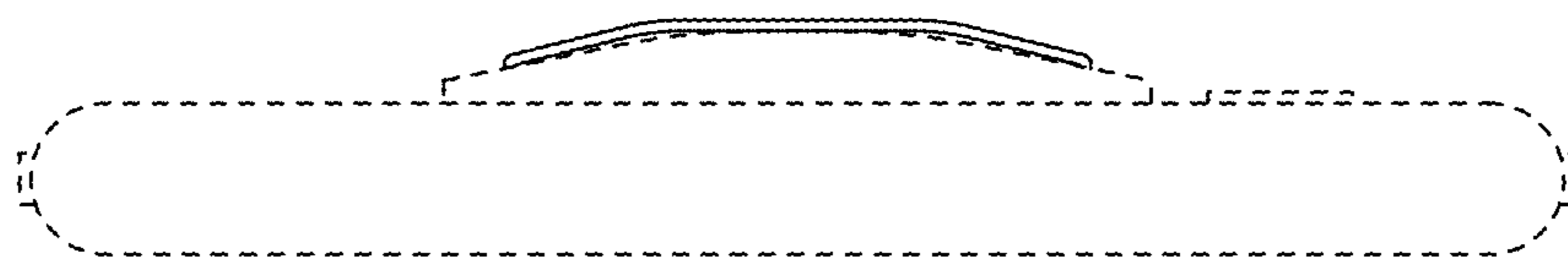


FIG. 14

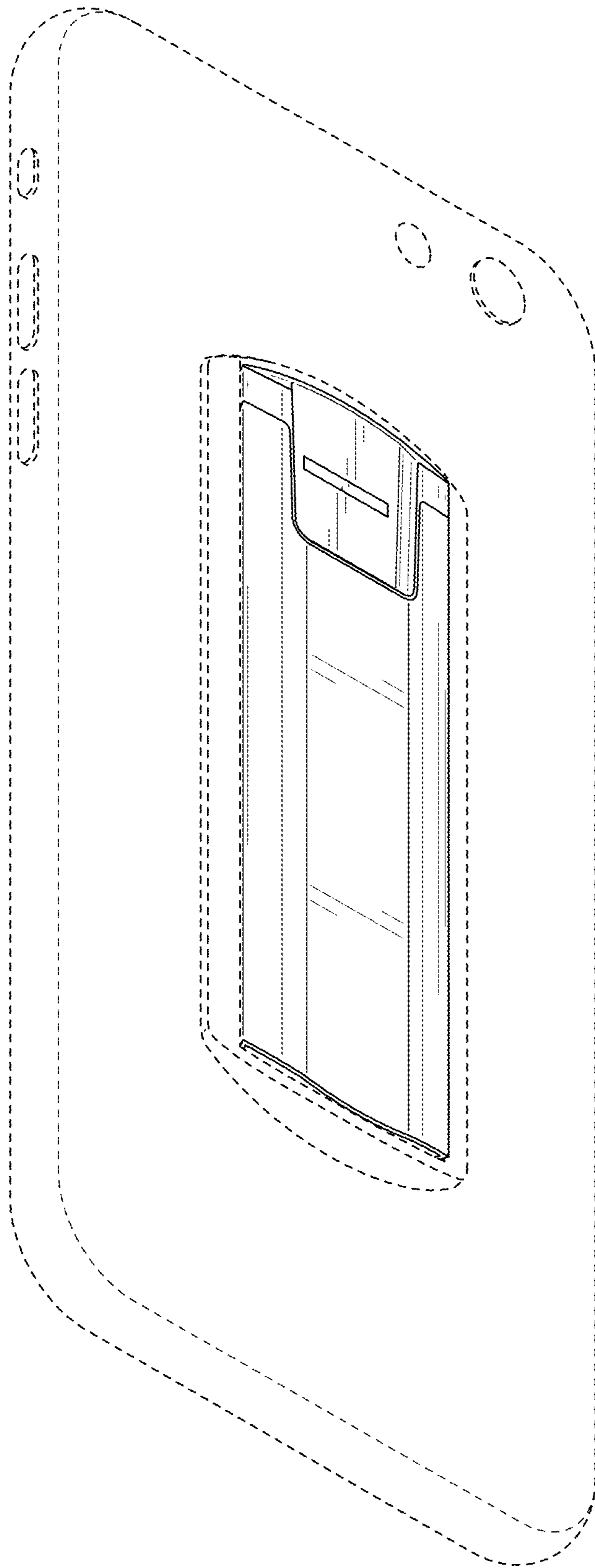


FIG. 15

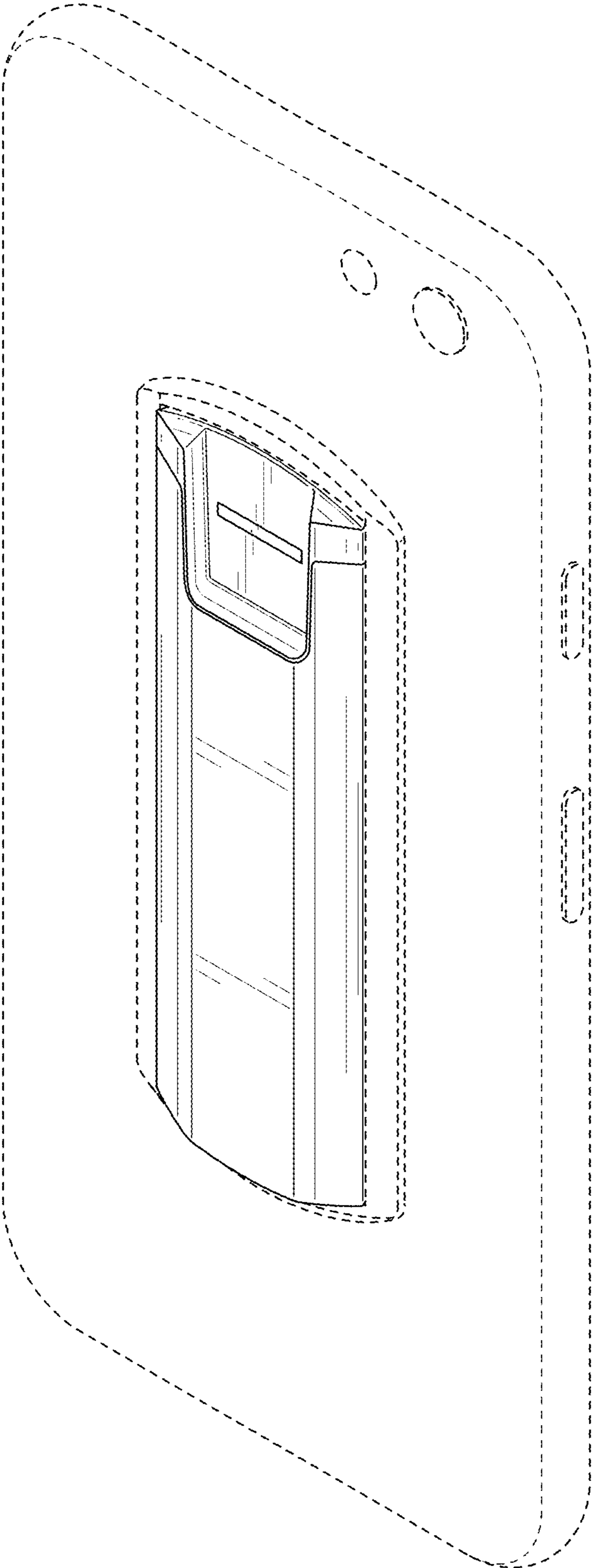


FIG. 16

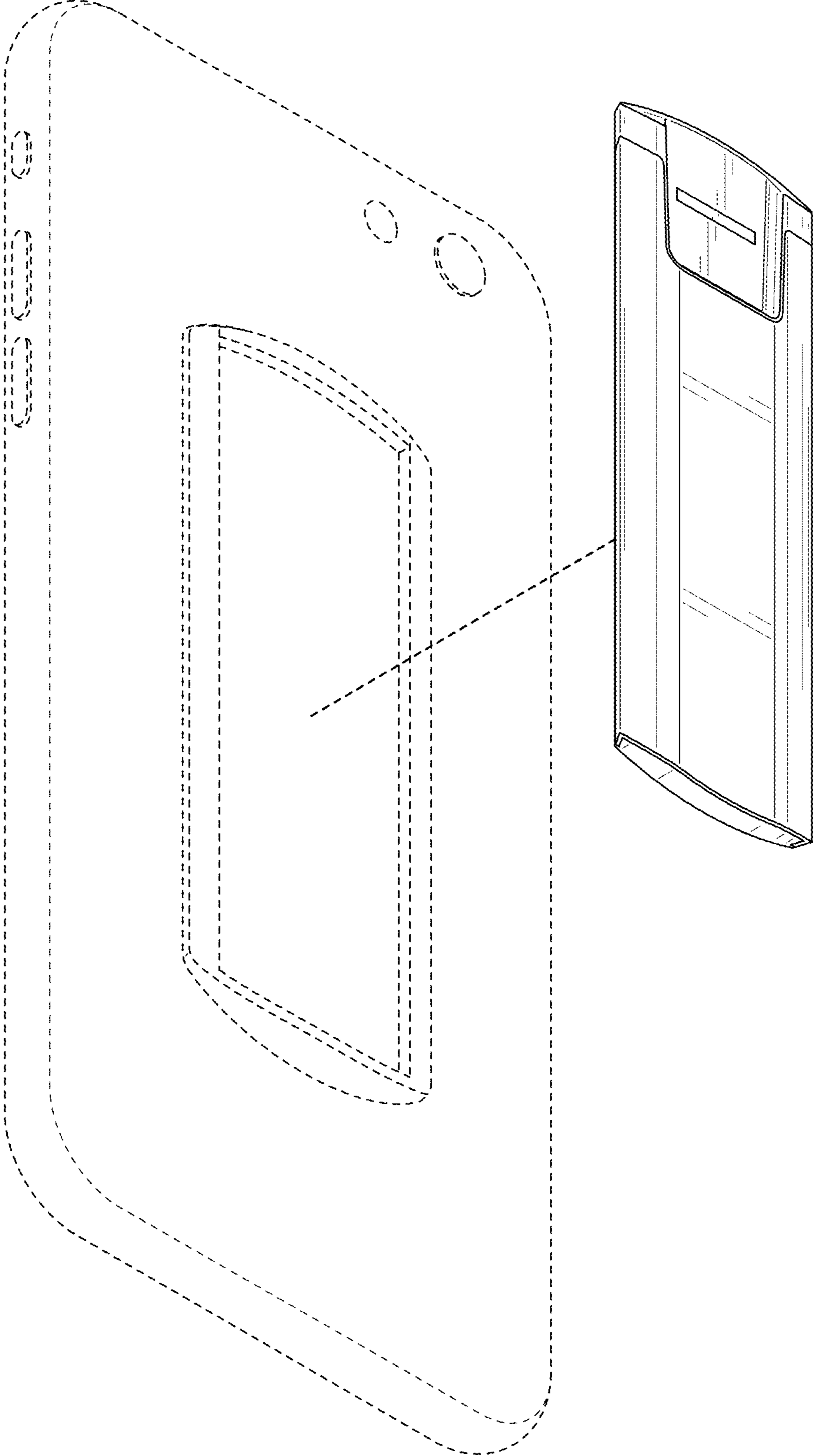


FIG. 17

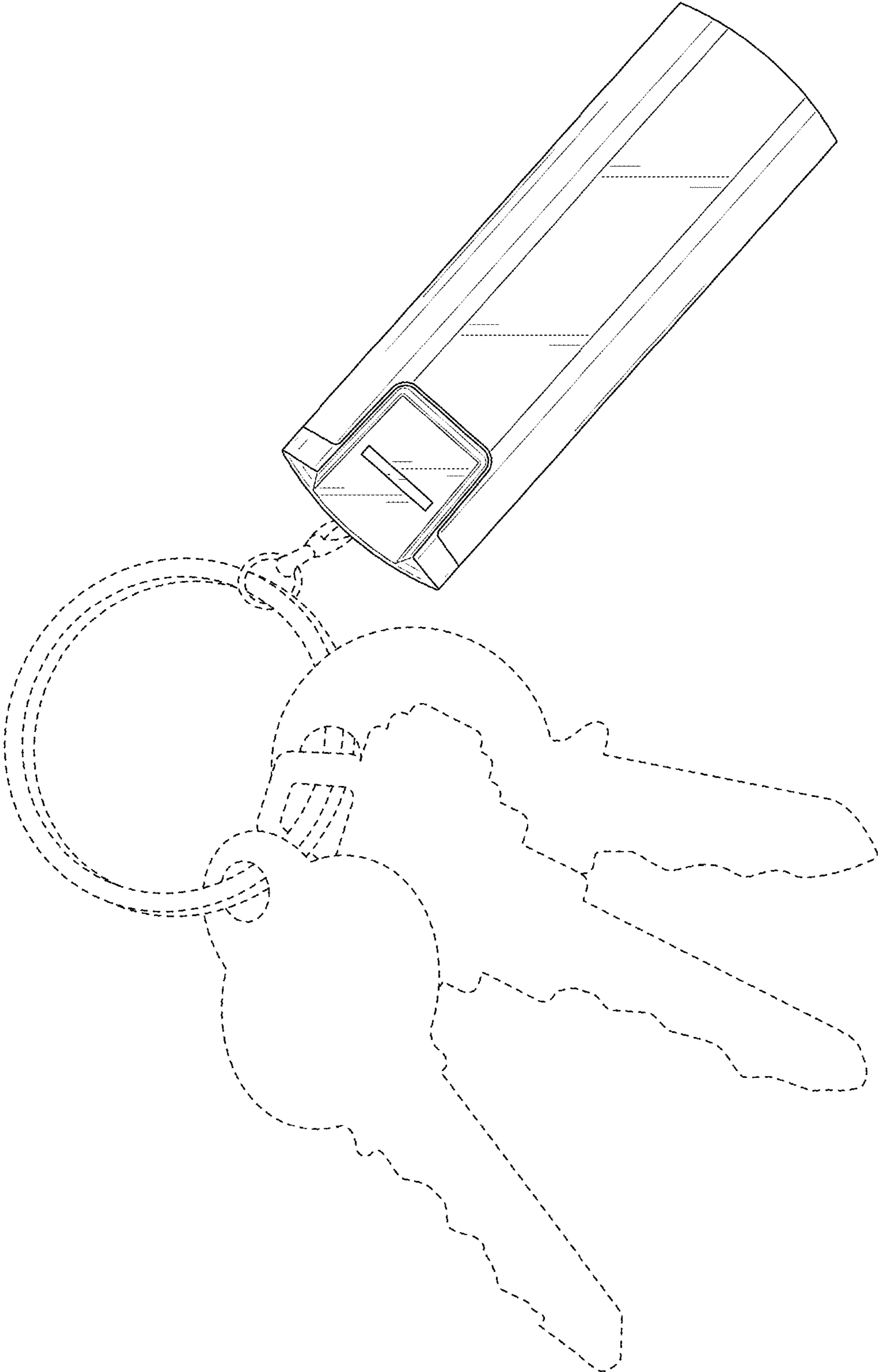


FIG.18