



US00D771040S

(12) **United States Design Patent** (10) **Patent No.:** **US D771,040 S**  
**Nuovo** (45) **Date of Patent:** **\*\* Nov. 8, 2016**

(54) **DISPLAY ENGINE COVER OF A HEAD MOUNTED DEVICE**  
(71) Applicant: **Atheer, Inc.**, Mountain View, CA (US)  
(72) Inventor: **Frank Nuovo**, Los Angeles, CA (US)  
(73) Assignee: **ATHEER, INC.**, Mountain View, CA (US)

D741,325 S *	10/2015	Bosveld	.....	D14/372
D741,858 S *	10/2015	Bosveld	.....	D14/372
D749,580 S *	2/2016	Kim	.....	D14/372
D749,583 S *	2/2016	Luckey	.....	D14/372
D751,072 S *	3/2016	Lyons	.....	D14/372
D752,680 S *	3/2016	Kim	.....	D14/372
D753,111 S *	4/2016	Fei	.....	D14/372
D753,112 S *	4/2016	Fei	.....	D14/372
D753,113 S *	4/2016	Fei	.....	D14/372
D758,367 S *	6/2016	Natsume	.....	D14/372
D759,654 S *	6/2016	Sullivan	.....	D14/372

(\*\*) Term: **15 Years**

\* cited by examiner

(21) Appl. No.: **29/545,803**

*Primary Examiner* — Austin Murphy

(22) Filed: **Nov. 16, 2015**

(74) *Attorney, Agent, or Firm* — Perkins Coie LLP

(51) **LOC (10) Cl.** ..... **14-02**

(57) **CLAIM**

(52) **U.S. Cl.**  
USPC ..... **D14/372**

The ornamental design for a display engine cover of a head mounted device, as shown and described.

(58) **Field of Classification Search**  
USPC ..... D14/372, 496, 432, 371, 125, 126, 129, D14/299; D16/300–342; 351/158, 153, 144; 345/7–9, 905; 455/344; 348/115, 53, 348/121, 739  
CPC ..... G02B 27/017; G02B 27/0158; G02B 27/0161; G02B 27/0181; G02B 27/0185; G02B 27/0189  
See application file for complete search history.

**DESCRIPTION**

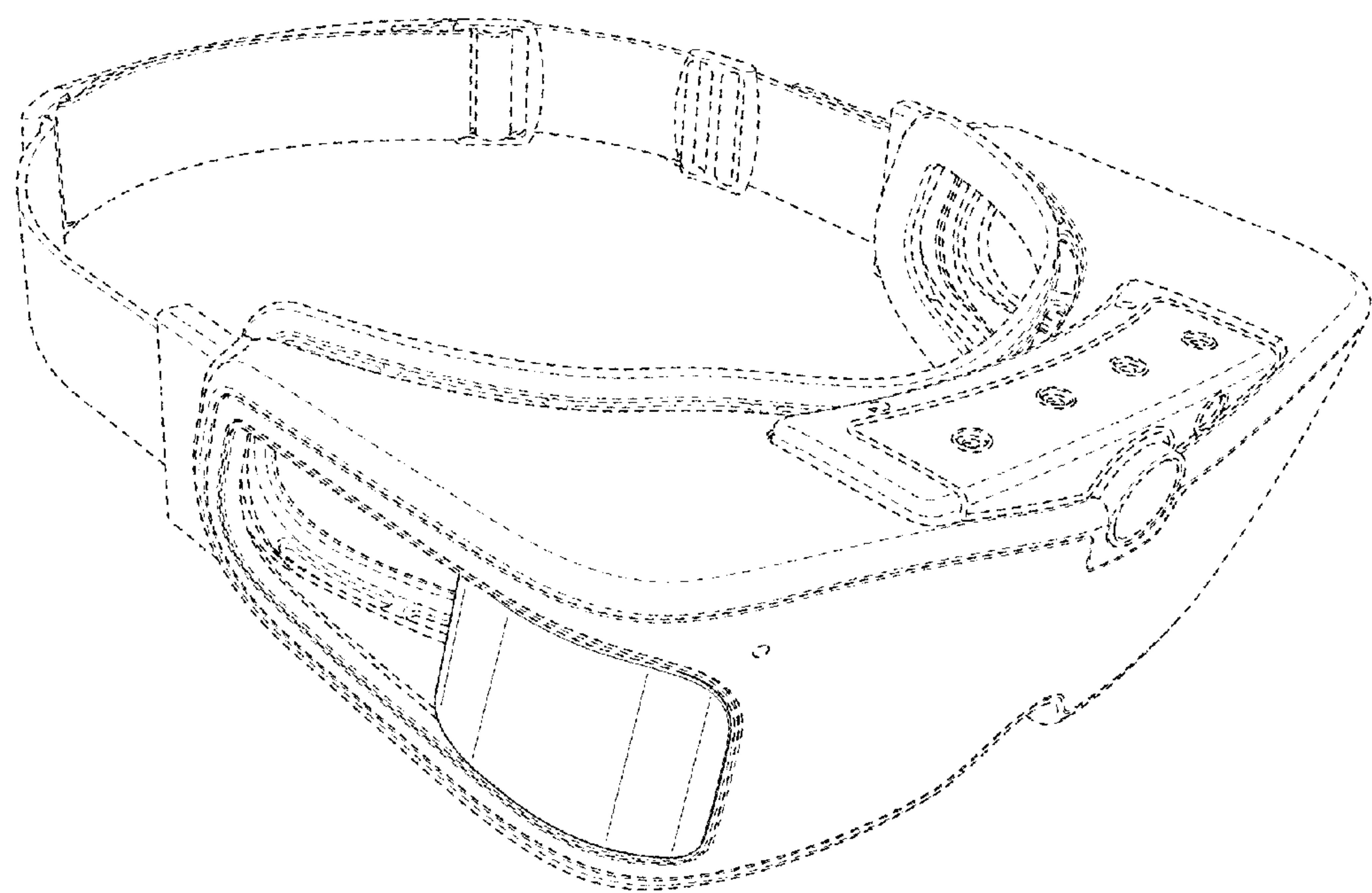
FIG. 1 is a front, right side perspective view of a first embodiment of a display engine cover of a head mounted device.  
FIG. 2 is a front elevation view thereof.  
FIG. 3 is a left side elevation view thereof.  
FIG. 4 is a right side elevation view thereof.  
FIG. 5 is rear and right side perspective view thereof.  
FIG. 6 is an enlarged view of a portion of the right side view thereof.  
FIG. 7 is a bottom plan view thereof.  
FIG. 8 is a rear elevation view thereof; and,  
FIG. 9 is a right and rear perspective view thereof.  
The broken lines shown in the drawings are for illustration purposes only and form no part of the claimed design.

(56) **References Cited**

U.S. PATENT DOCUMENTS

D719,953 S *	12/2014	Nokuo	.....	D14/372
D722,054 S *	2/2015	Serota	.....	D14/372
D732,028 S *	6/2015	Kim	.....	D14/372
D739,855 S *	9/2015	Bosveld	.....	D14/372
D740,810 S *	10/2015	Bosveld	.....	D14/372
D740,815 S *	10/2015	Bosveld	.....	D14/372

**1 Claim, 9 Drawing Sheets**



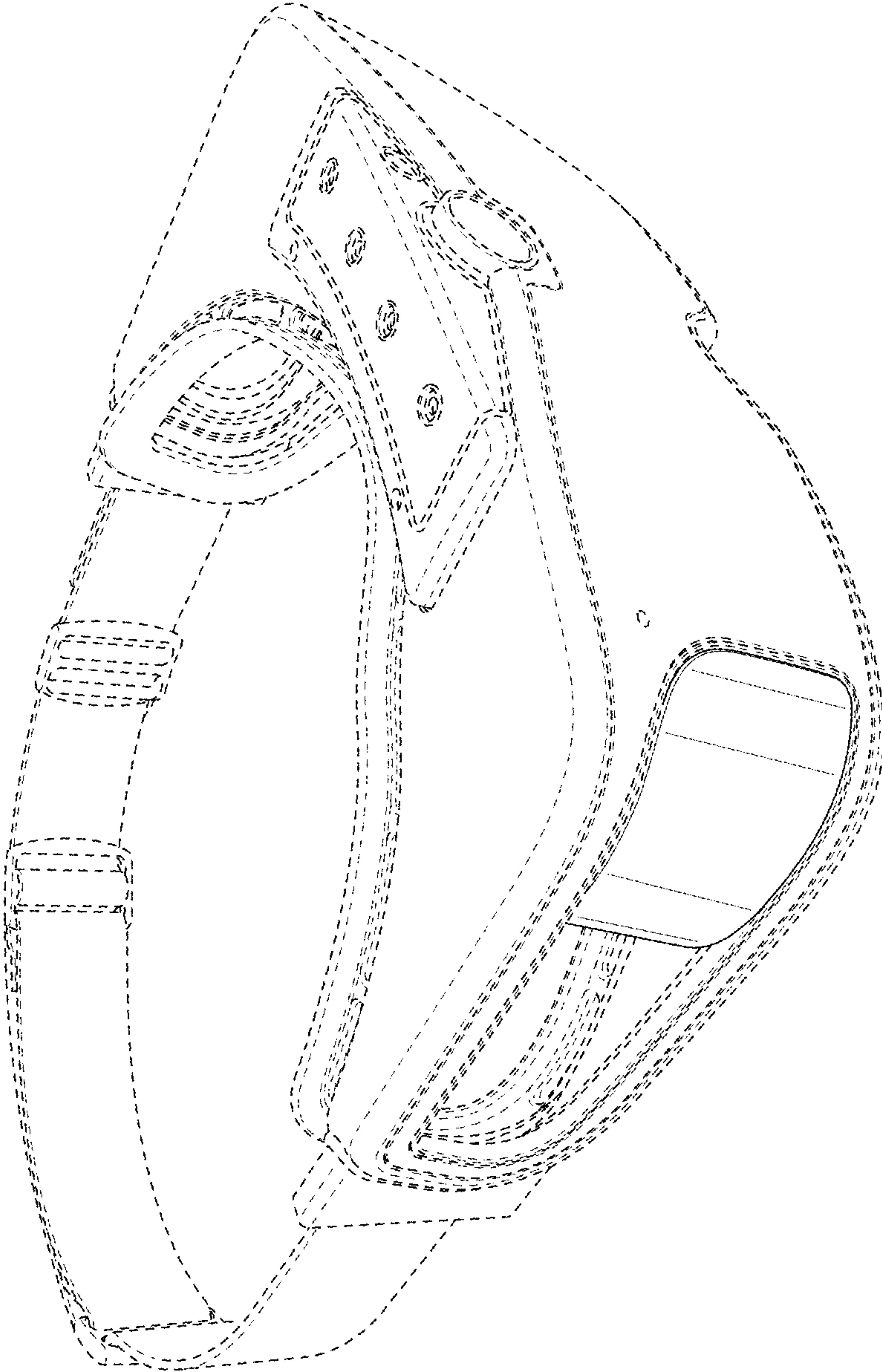


Fig. 1

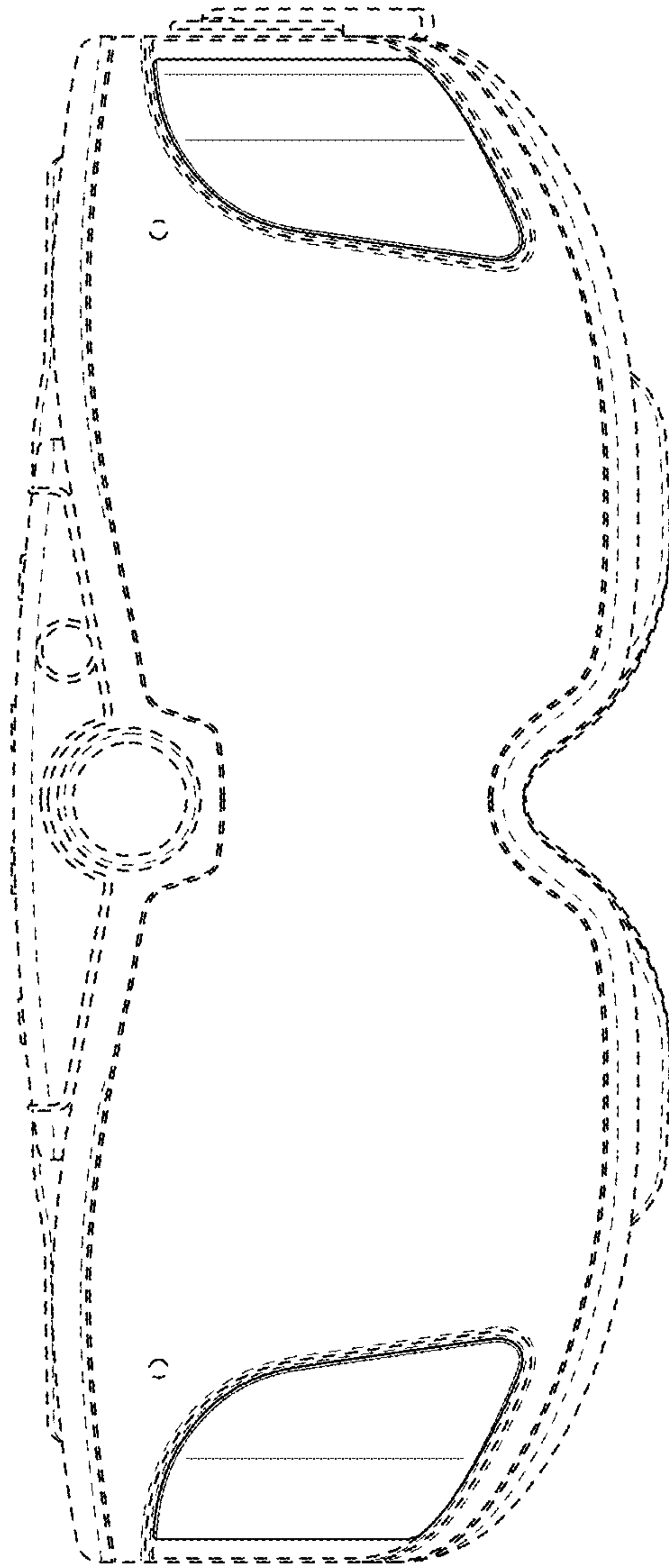


Fig. 2

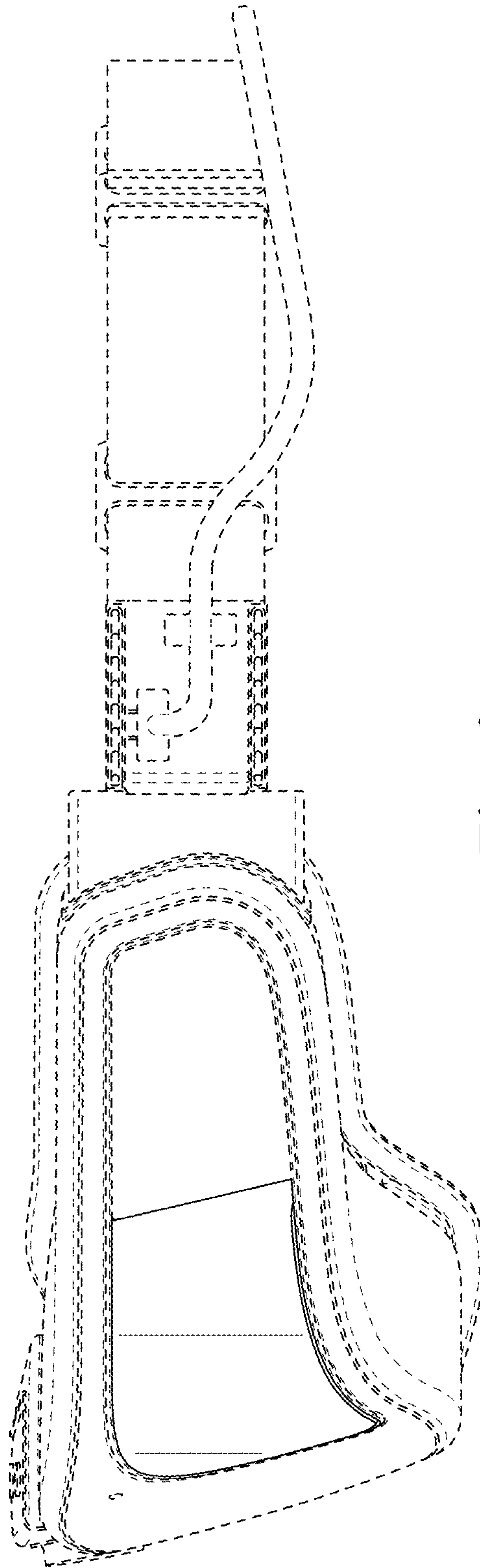


Fig. 3

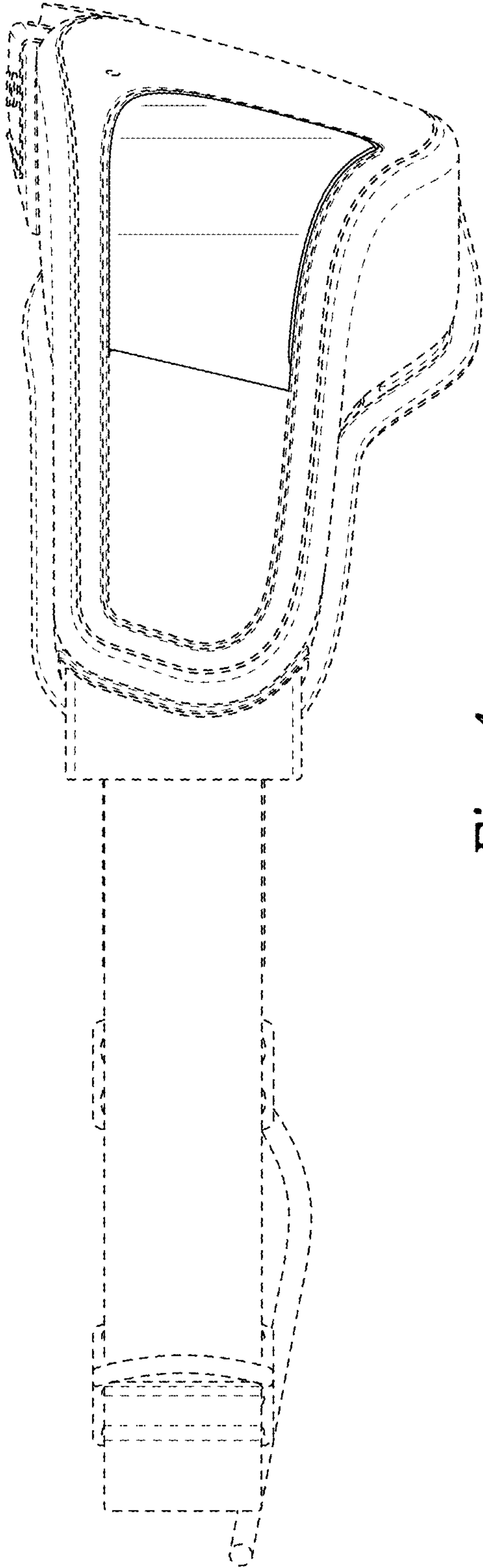


Fig. 4



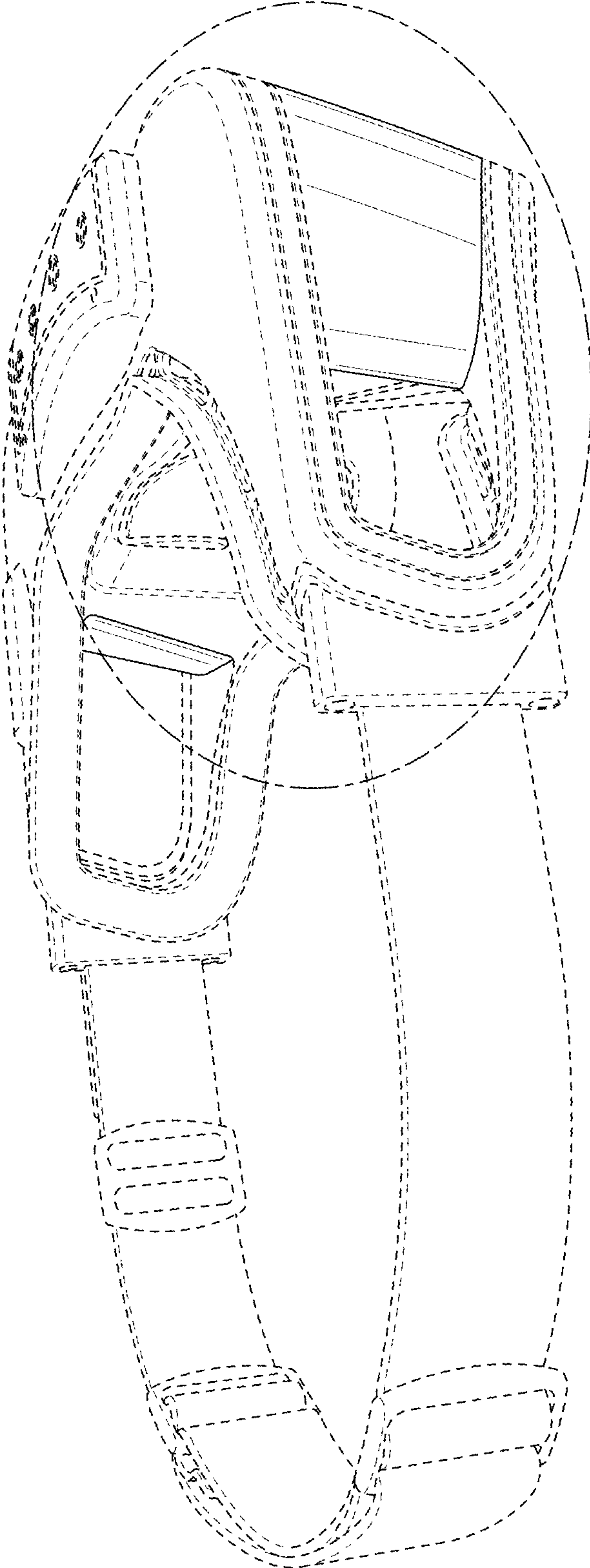


Fig. 5

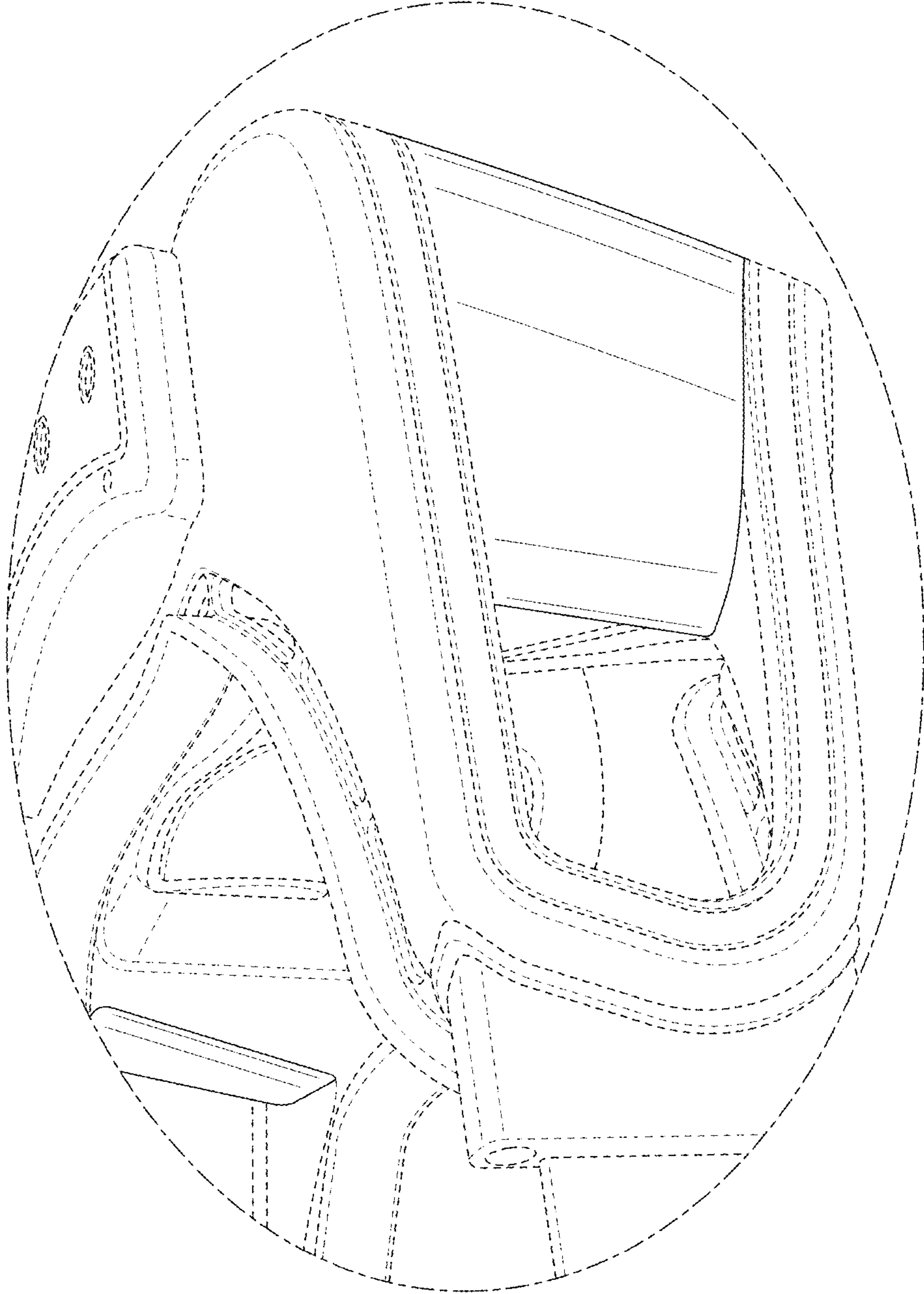


Fig. 6

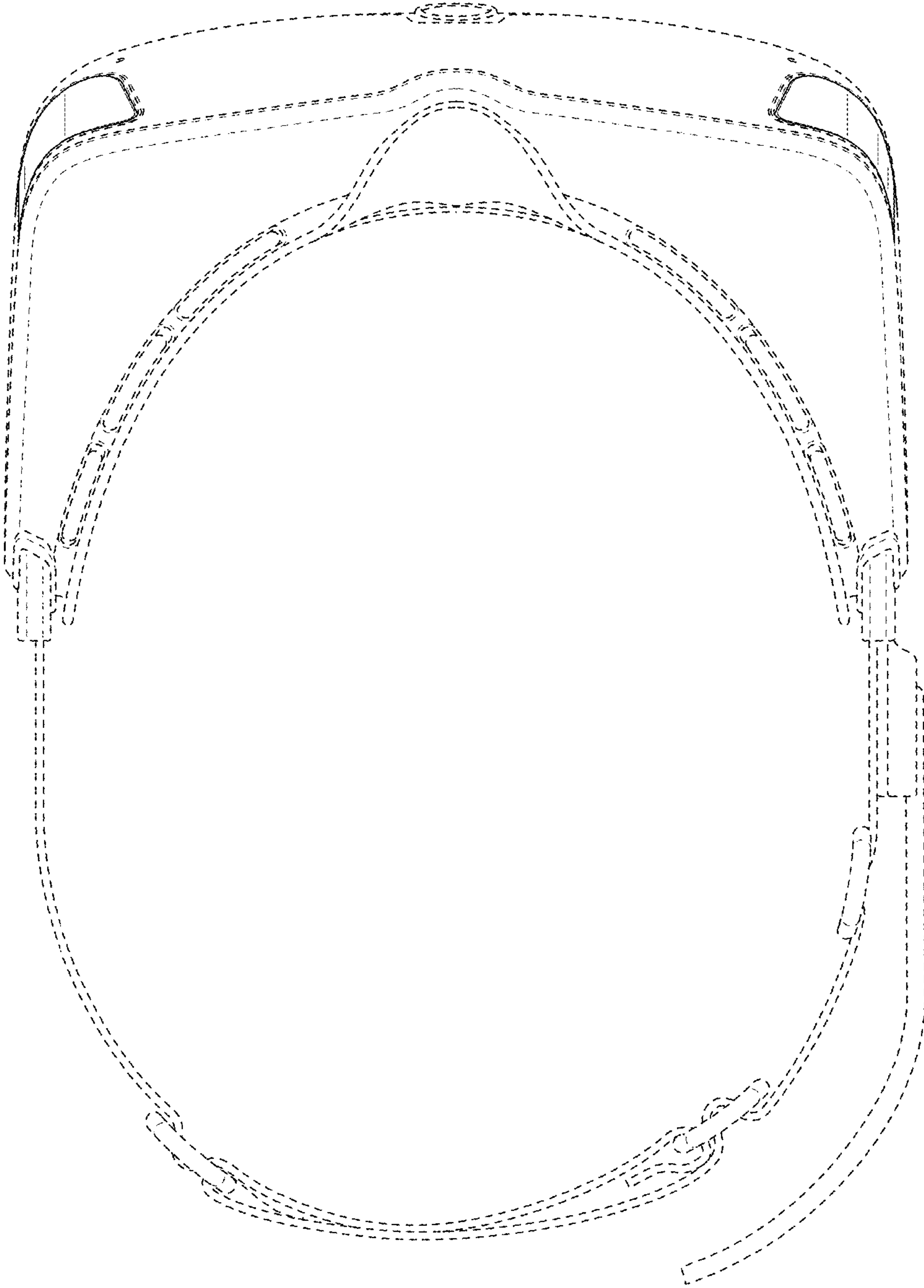


Fig. 7



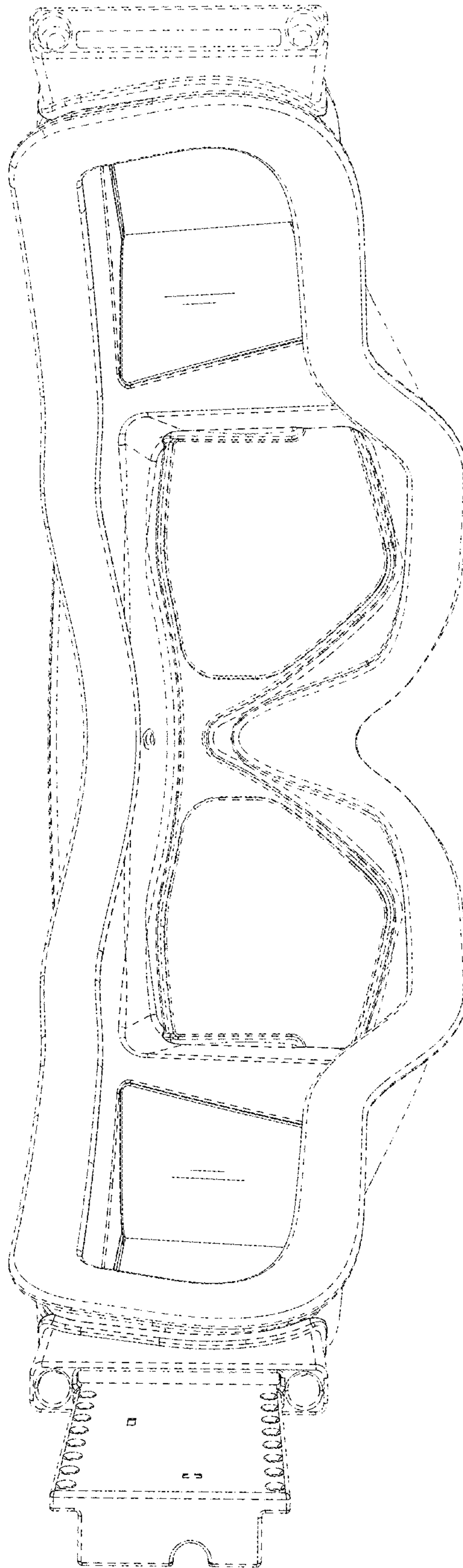


Fig. 8

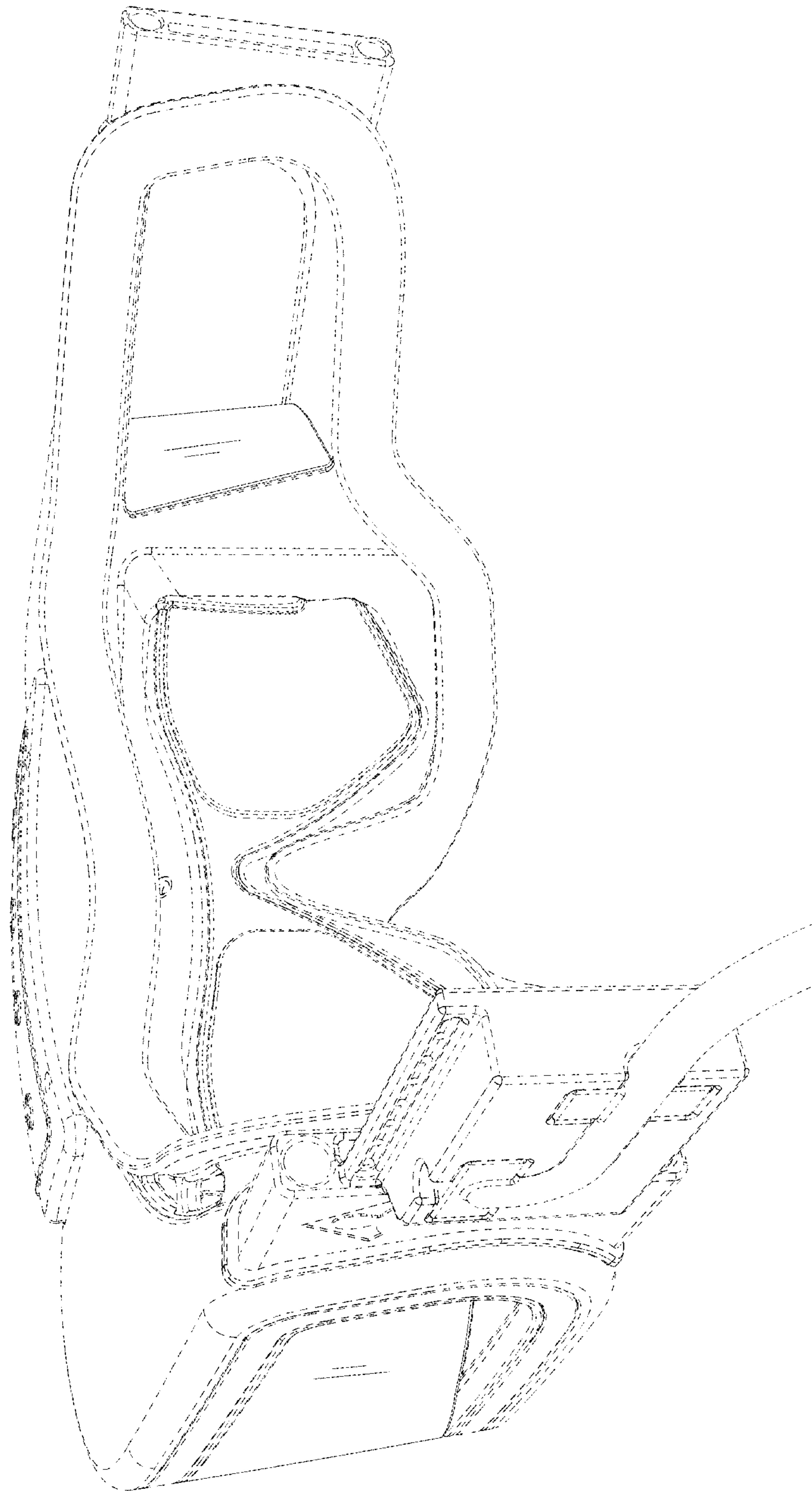


Fig. 9