



US00D771039S

(12) **United States Design Patent** (10) **Patent No.:** **US D771,039 S**
Windstrup et al. (45) **Date of Patent:** **** Nov. 8, 2016**

(54) **NETWORK BRIDGE**

(71) Applicant: **Greenwave Systems PTE. LTD,**
Singapore (SG)
(72) Inventors: **Sonny Windstrup,** Irvine, CA (US);
Karl Jonsson, Irvine, CA (US)
(73) Assignee: **Greenwave Systems, PTE, LTD.,**
Singapore (SG)

(**) Term: **15 Years**

(21) Appl. No.: **29/540,768**

(22) Filed: **Sep. 28, 2015**

Related U.S. Application Data

(63) Continuation of application No. 29/478,518, filed on
Jan. 6, 2014, now Pat. No. Des. 742,770.

(51) **LOC (10) Cl.** **14-02**

(52) **U.S. Cl.**
USPC **D14/356**

(58) **Field of Classification Search**
USPC D26/9, 10, 12, 13, 15, 16, 24, 51, 61,
D26/72, 76, 80, 81, 85, 86, 88, 90, 113, 118,
D26/119, 120, 122, 128, 129, 138, 143,
D26/144; D13/180; D10/93, 104.1, 108,
D10/114; D14/356
CPC B60Q 1/04; B60Q 1/26; F21S 8/026;
F21S 8/04; F21V 29/004; F21V 21/02;
F21V 21/04; F21V 29/2212; F21Y 2101/02;
H01R 13/5213
See application file for complete search history.

(56) **References Cited**

U.S. PATENT DOCUMENTS

2,526,606 A * 10/1950 Gregg H01R 13/447
174/67
2,880,264 A * 3/1959 Ruskin H01R 13/447
174/504

(Continued)

OTHER PUBLICATIONS

Waterproof Wireless Long Range Network Bridge Access Point
WiFi Transmitter Receiver, image post date Jan. 13, 2015, site
visited Mar. 10, 2016, (online), <<http://0086cctv.en.made-in-china.com/product/joKnCfEdnTDb/China-Outdoor-5-10-Kilometer-Waterproof-Wireless-Long-Range-Network-Bridge-Access-Point-WiFi-Transmitter-Receiver.html>>.*

(Continued)

Primary Examiner — Kevin Rudzinski

Assistant Examiner — Sean D Lough

(74) *Attorney, Agent, or Firm* — Youngs Patent Services;
Bruce A. Young

(57) **CLAIM**

The ornamental design for the network bridge, as shown and
described.

DESCRIPTION

FIG. 1 is a front, right and top perspective view of the
network bridge with a US-style plug element shown as
environment in broken lines;

FIG. 2 shows a rear, left, and bottom perspective view of the
network bridge with a US-style plug element shown as
environment in broken lines;

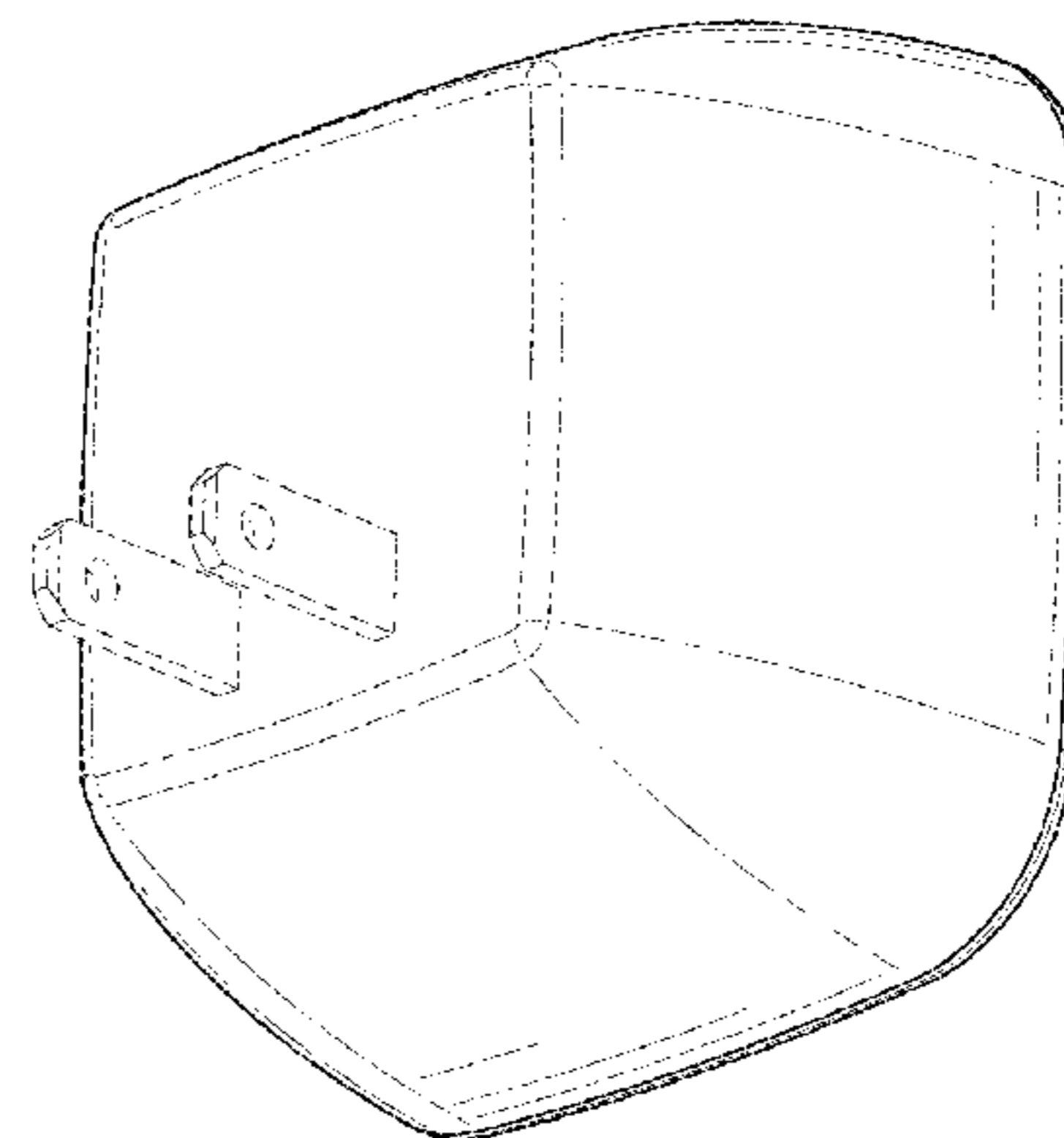
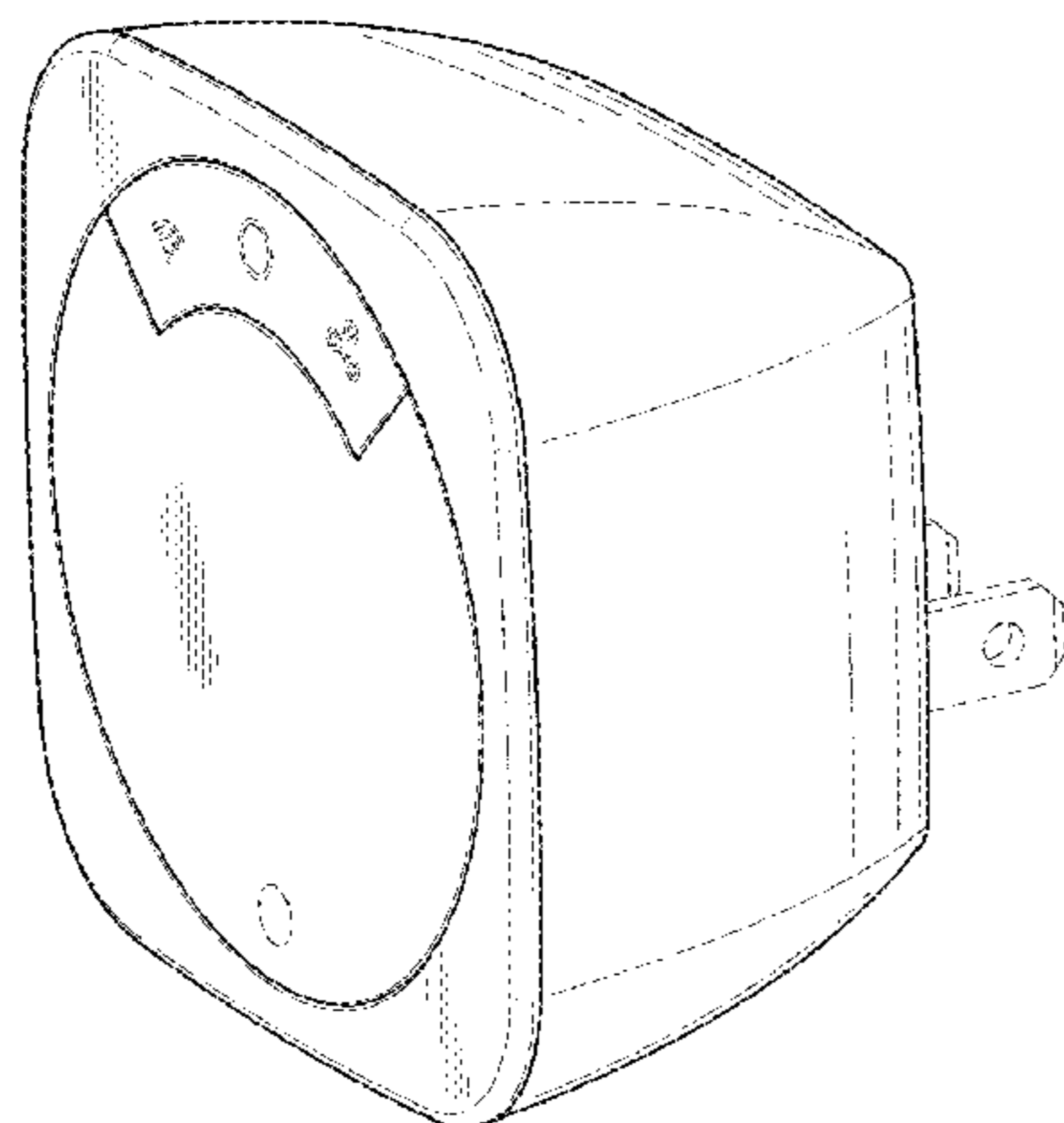
FIG. 3 shows a front elevation view of the network bridge;
FIG. 4 shows a rear elevation view of network bridge with
a US-style plug element shown as environment in broken
lines;

FIG. 5 shows a right side elevation view of the network
bridge, the left side elevation view being a mirror image
thereof; and,

FIG. 6 shows a top plan view of the network bridge, the
bottom plan view being a mirror image thereof.

The broken lines on the front surface shown in FIGS. 1 &
3 illustrate portions of the network bridge that form no part
of the claimed design. Further, the broken lines illustrating
the plug element in FIGS. 1, 2, & 4 form no part of the
claimed design.

1 Claim, 6 Drawing Sheets



(56)

References Cited

U.S. PATENT DOCUMENTS

3,832,503	A	8/1974	Crane				
4,073,105	A	2/1978	Daugherty				
D271,684	S	12/1983	Berry, Jr.				
D294,346	S	2/1988	Holmes				
D296,440	S	6/1988	Smith et al.				
D301,331	S *	5/1989	Rhodin	D13/107		
D306,583	S *	3/1990	Krolopp	D13/184		
D306,998	S	4/1990	Mintz et al.				
D310,063	S	8/1990	Cheng				
D313,864	S *	1/1991	Macaluso	D26/29		
D315,315	S	3/1991	Stairs				
D315,893	S	4/1991	Cheng				
5,008,788	A	4/1991	Palinkas				
D322,438	S	12/1991	Skowronski				
D326,237	S	5/1992	Gale et al.				
5,258,656	A	11/1993	Pawlick				
5,280,135	A	1/1994	Berlin et al.				
D344,901	S	3/1994	Conforti				
D344,930	S	3/1994	Schaeffer				
D352,472	S	11/1994	Chen				
D356,274	S	3/1995	Ross et al.				
D360,845	S	8/1995	Smith et al.				
D364,350	S	11/1995	Pasquarette et al.				
D378,200	S	2/1997	Doppelt et al.				
5,650,771	A	7/1997	Lee				
D382,251	S *	8/1997	Tsui	D13/137.1		
5,682,017	A	10/1997	Marrotte				
D399,617	S	10/1998	Fujita				
D404,719	S	1/1999	Suzuki				
D405,376	S	2/1999	Stekelenburg				
D406,047	S	2/1999	Scherer et al.				
D408,823	S	4/1999	Kirby				
D424,028	S *	5/2000	Vaiani	D13/184		
D431,489	S *	10/2000	Eckersley	D10/114.4		
D432,038	S	10/2000	Sasaki et al.				
6,133,531	A	10/2000	Hayduke et al.				
D435,246	S	12/2000	De brey et al.				
D437,319	S	2/2001	Hui				
D442,921	S	5/2001	Bonn				
D451,218	S	11/2001	Bernier				
D461,804	S	8/2002	Carey et al.				
D469,411	S	1/2003	Decosse				
D469,711	S	2/2003	Neufeglise				
D475,370	S	6/2003	Bone et al.				
D488,138	S	4/2004	Parsadayan et al.				
D491,553	S	6/2004	Cook				
D492,047	S	6/2004	Dohogne et al.				
D492,262	S	6/2004	Murray				
D496,487	S *	9/2004	Rhee	D26/89		
6,805,455	B2 *	10/2004	Nielsen	B60N 2/4876 359/877		
6,806,426	B1 *	10/2004	Gretz	H02G 3/14 174/481		
D498,745	S *	11/2004	Sayler	D14/214		
D499,656	S	12/2004	Bhavnani				
D499,976	S *	12/2004	Neufeglise	D10/114.4		
D503,703	S *	4/2005	Beckett	D14/214		
6,891,104	B2 *	5/2005	Dinh	H02G 3/14 174/375		
D506,845	S	6/2005	Wernimont				
D507,259	S	7/2005	Taylor				
D509,214	S *	9/2005	Chung	D14/240		
D511,020	S	10/2005	Egawa et al.				
D512,790	S	12/2005	Handsaker et al.				
D514,097	S	1/2006	De Leon				
D516,236	S *	2/2006	Yeh	D26/89		
7,029,153	B2 *	4/2006	Rhee	F21S 8/04 362/147		
D521,001	S	5/2006	Xiao et al.				
D525,540	S *	7/2006	Stekelenburg	D10/40		
D530,325	S	10/2006	Kerila et al.				
D530,437	S *	10/2006	Neufeglise	D26/28		
D531,617	S *	11/2006	Rozier	D14/215		
D534,285	S	12/2006	Williams				
D534,439	S *	1/2007	Stekelenburg	D10/40		
D535,650	S	1/2007	Wong et al.				
7,241,952	B2	7/2007	Dinh				
7,246,926	B2	7/2007	Harwood				
D554,630	S	11/2007	Ma				
D561,114	S	2/2008	Peterson				
D562,317	S	2/2008	Lagerberg et al.				
D565,298	S *	4/2008	Braun	D3/273		
D565,434	S *	4/2008	Stekelenburg	D10/40		
7,358,679	B2 *	4/2008	Lys	H05B 33/0815 315/291		
7,359,295	B2	4/2008	Nakayama et al.				
D570,300	S	6/2008	Weinberg				
D570,348	S *	6/2008	Turpault	D14/385		
7,401,935	B2	7/2008	Vanderschuit				
D574,332	S	8/2008	Filban et al.				
D574,834	S	8/2008	Chen				
D575,775	S	8/2008	Sekine				
7,446,749	B2	11/2008	Lee et al.				
D583,828	S	12/2008	Li et al.				
D595,329	S	6/2009	Sakamaki et al.				
D595,646	S	7/2009	Dallaire				
D595,705	S *	7/2009	Houdek, II	D14/240		
D595,712	S *	7/2009	Guery	D14/341		
D596,562	S *	7/2009	Hong	D13/108		
D596,628	S	7/2009	Houdek, II				
D597,543	S *	8/2009	Urban	D14/356		
D599,222	S *	9/2009	Bialek-Wester	D10/15		
D599,753	S *	9/2009	Cho	D14/125		
D603,344	S	11/2009	Pradhan				
D614,150	S	4/2010	Crites				
D615,556	S *	5/2010	Yeo	D14/203.3		
D618,240	S *	6/2010	Larmour	D14/230		
D618,384	S	6/2010	Chen et al.				
D619,535	S *	7/2010	Shi	D13/137.2		
D619,752	S	7/2010	Zhang				
D619,910	S *	7/2010	Stekelenburg	D10/40		
D619,911	S *	7/2010	Stekelenburg	D10/40		
7,771,090	B2	8/2010	Chang et al.				
D623,639	S *	9/2010	Richardson	D14/250		
D627,800	S	11/2010	Berning et al.				
D628,151	S *	11/2010	Wegener	D13/108		
D630,210	S *	1/2011	Andre	D14/374		
7,874,444	B2 *	1/2011	Ashworth	F24F 11/0012 174/66		
7,915,528	B2 *	3/2011	Ni	H01R 13/5213 174/50		
D635,940	S *	4/2011	Cho	D14/125		
7,918,596	B2 *	4/2011	Frank	B60Q 1/32 362/241		
D637,951	S *	5/2011	Perez	D13/108		
D638,003	S *	5/2011	Chen	D14/203.7		
7,935,889	B1	5/2011	Cleghorn				
7,961,111	B2	6/2011	Tinaphong et al.				
D641,098	S *	7/2011	Wildner	D26/85		
D641,368	S	7/2011	McParland				
D642,173	S *	7/2011	Lee	D14/365		
D644,222	S *	8/2011	Woo	D14/365		
8,013,545	B2	9/2011	Jonsson				
D646,272	S *	10/2011	Woo	D14/365		
D647,418	S	10/2011	Miller et al.				
D653,662	S	2/2012	Park et al.				
D654,880	S	2/2012	Lam				
D654,917	S	2/2012	Chaturvedi et al.				
8,130,439	B2 *	3/2012	Handschy	G02B 27/1033 359/290		
D658,598	S	5/2012	Ling et al.				
D661,665	S	6/2012	Windstrup et al.				
D661,698	S	6/2012	Chaturvedi et al.				
D662,847	S *	7/2012	Hecht	D10/114.4		
D663,643	S	7/2012	Saikawa et al.				
D664,130	S *	7/2012	Lee	D14/240		
D664,143	S	7/2012	Chaturvedi et al.				
D665,347	S *	8/2012	Chen	D13/108		
D667,005	S *	9/2012	Lutz	D14/314		
D671,851	S	12/2012	Treharne et al.				
D673,564	S	1/2013	Milliff				
D673,701	S *	1/2013	Davies	D26/28		
D673,948	S *	1/2013	Andre	D14/341		
D674,125	S *	1/2013	Davies	D26/28		

(56)

References Cited

U.S. PATENT DOCUMENTS

D674,524 S * 1/2013 Davies D26/28
 D677,635 S * 3/2013 Ling D13/177
 D677,824 S 3/2013 Maxik et al.
 D682,788 S 5/2013 Diehl et al.
 D684,718 S 6/2013 Ko
 D684,957 S 6/2013 Smith et al.
 D685,655 S * 7/2013 Hsu D10/15
 D686,614 S 7/2013 Tan
 D691,762 S * 10/2013 Sieczkowski D26/89
 D694,944 S 12/2013 Rhodes
 D695,238 S 12/2013 Diehl et al.
 D695,727 S 12/2013 Shimizu
 D699,179 S * 2/2014 Alexander D13/103
 D699,758 S * 2/2014 Lavin D14/496
 D701,636 S 3/2014 Maxik et al.
 D703,156 S 4/2014 Parsons et al.
 D703,157 S * 4/2014 Parsons D13/164
 D703,158 S 4/2014 Parsons et al.
 D703,619 S 4/2014 Wilkins
 D705,160 S * 5/2014 Ormesher D13/108
 D705,170 S 5/2014 Diehl et al.
 D705,978 S 5/2014 Rhodes
 8,724,046 B2 5/2014 Que
 D711,359 S * 8/2014 Marzynski D14/240
 D714,753 S * 10/2014 Lee D14/140
 D716,748 S * 11/2014 Wang D14/138 G
 D718,762 S * 12/2014 Aarrestad D14/149
 D719,153 S * 12/2014 Lim D14/356
 D719,939 S * 12/2014 Liang D14/240
 D720,304 S 12/2014 Haug et al.
 D724,777 S * 3/2015 Curran-Blaney D26/118
 D725,612 S 3/2015 Schlegel
 D727,558 S * 4/2015 Tang D26/120
 9,007,186 B1 4/2015 Krummey et al.
 D728,577 S * 5/2015 Amit D14/435
 D729,163 S * 5/2015 Meyer D13/107
 D729,216 S * 5/2015 Peng D14/240
 9,022,627 B2 * 5/2015 Lessard F21S 48/1208
 362/549
 D736,434 S * 8/2015 Kuei-Lai D26/28
 D737,274 S * 8/2015 Kuo D14/408
 9,115,866 B2 * 8/2015 Hu F21V 5/04
 D737,713 S * 9/2015 Deyaf D10/114.4
 9,133,996 B2 * 9/2015 Thibodeau F21S 48/00
 D740,692 S * 10/2015 Christie D9/748
 D742,770 S 11/2015 Windstrup et al.
 D743,359 S * 11/2015 Tatem D14/125
 D745,479 S * 12/2015 McManigal D14/125
 D745,720 S * 12/2015 Chang D26/28
 D747,228 S * 1/2016 Fiedler D10/104.1
 D748,830 S * 2/2016 Gerardo D26/28
 D749,570 S * 2/2016 Lee D14/344
 D751,236 S * 3/2016 Renshaw D26/89
 2003/0081377 A1 5/2003 Lin
 2006/0050509 A9 3/2006 Dowling et al.
 2006/0109661 A1 5/2006 Coushaine et al.
 2009/0176391 A1 * 7/2009 Brock H01R 13/5213
 439/136
 2009/0195349 A1 * 8/2009 Frader-Thompson . G01D 4/002
 340/3.1
 2009/0260963 A1 10/2009 Eto
 2009/0321241 A1 12/2009 Zhen
 2010/0116629 A1 5/2010 Borissov et al.
 2011/0031819 A1 2/2011 Gunwall
 2011/0098867 A1 4/2011 Jonsson et al.
 2015/0345699 A1 * 12/2015 Manniche F16M 13/022
 29/428
 2015/0351266 A1 * 12/2015 Micko H05K 5/0217
 361/809

OTHER PUBLICATIONS

Cloud-based platform third-party devices, image post date Oct. 10, 2013, site visited Mar. 10, 2016, (online), <<http://www.greentechmedia.com/articles/read/greenwave-lands-19m-for-the-home-energy-cloud>>.*

Network Bridge Interface Module, image post date 1996, site visited Mar. 10, 2016, (online), <<http://www.marinco.com/en/80-911-0057-00>>.*
 HomePlug Powerline Network Bridge, image post date Jul. 20, 2014, site visited Mar. 10, 2016, (online), <<http://www.amazon.com/Netgear-XE102US-HomePlug-Powerline-Network/dp/B002ZL06XS>>.*
 EZ-Bridge-Ultra5, image post date Feb. 2, 2011, site visited Mar. 10, 2016, (online), <<http://web.archive.org/web/20110202091936/http://ez-bridge.com/>>.*
 HomeLink Broadband Network Bridge, image post date Aug. 8, 2000, site visited Mar. 10, 2016, (online), <<http://www.amazon.com/Cisco-Linksys-HomeLink-Broadband-Network-Bridge/dp/B00004SBA5>>.*
 AEON Labs, Aeotec DSC24xxx-ZWUS Smart Switch Z-Wave Appliance Module Manual, Jan. 27, 2013, Retrieved from <http://www.smarthome.com/manuals/75514-ins.pdf> on Jun. 27, 2014.
 D-Link Wi-Fi Smart Plug and Wi-Fi Motion Sensor, image post date Aug. 6, 2014, site visited May 7, 2015, (online), <<http://www.gadgetreview.com/2014/08/d-link-wi-fi-smart-plug-and-wi-fi-motion-sensor-review>>.*
 European Union Office for Harmonization in the Internal Market (OHIM), Registered Community Design No. 002473421-0005, May 29, 2014.
 European Union Office for Harmonization in the Internal Market (OHIM), Registered Community Design No. 002473421-0001, May 29, 2014.
 European Union Office for Harmonization in the Internal Market (OHIM), Registered Community Design No. 002473421-0002, May 29, 2014.
 European Union Office for Harmonization in the Internal Market (OHIM), Registered Community Design No. 002473421-0003, May 29, 2014.
 European Union Office for Harmonization in the Internal Market (OHIM), Registered Community Design No. 002473421-0004, May 29, 2014.
 European Union Office for Harmonization in the Internal Market (OHIM), Registered Community Design No. 002473421-0006, May 29, 2014.
 Heath/Zenith, Heath/Zenith Remote Control Products Operating Instructions, Apr. 19, 2006, Retrieved from <http://www.smarthome.com/manuals/25066.pdf> on Jun. 17, 2014.
 Ingersol Rand, Schlage Nexia RP200RNX Z-Wave Wireless Plug-in Dimmer Module User Guide, 2011, Retrieved from <http://www.smarthome.com/manuals/51215.pdf> on 06/27/3014.
 Insteon, Insteon Hub Owner's Manual, Sep. 27, 2013, retrieved from <http://www.smarthome.com/manuals/2242-x22.pdf> on Jun. 27, 2014.
 Insteon, Insteon Outdoor Wireless IP Camera Owners Manual, Aug. 27, 2012, retrieved from <http://www.smarthome.com/manuals/75791.pdf> on Jun. 27, 2014.
 Motion Sensor Light Switches, image post date Aug. 14, 2015, site visited May 7, 2015, (online), <<http://web.archive.org/web/20140814060133/http://www.p-wholesale.com/e-store/M/M-99.html>>.*
 Mr.Beams, Installation Instructions for Wireless Motion Sensor LED Spotlight MB330/360, Sep. 24, 2013, Retrieved from <http://www.mrbeams.com/uploads/MB330-MB360%20Spotlight.pdf> on Jun. 27, 2014.
 Netgear, Inc., Powerline 500 WIFI Access Point—XWNB5201 Data Sheet, Oct. 17, 2012, retrieved from http://www.downloads.netgear.com/files/GDC/XWNB5201/XWNB5201_PA_DS_17Oct12.pdf on Jun. 27, 2014.
 Smarthome, Product page for Belkin F7D7602 NetCam HD Wi-Fi Camera with Night Vision, Jan. 24, 2013, retrieved from <http://www.smarthome.com/44120/Belkin-F7D7602-NetCam-/HD-Wi-Fi-Camera-with-Night-Vision/p.aspx> on Jun. 27, 2014.

(56)

References Cited

OTHER PUBLICATIONS

Vera Control, LTD, Micasaverde Quick-Start Guide, Jan. 23, 2012, retrieved from <http://www.smarthome.com/manuals/13705-ins.pdf> on Jun. 27, 2014.

W z-wave motion sensor, image post date Oct. 17, 2013, site visited May 7, 2015, (online), <<https://www.tineye.com/search/9a4193be7351cb1d55a4dcfeffb89e397e0c5dbd/?pluginver=>>>. Unpublished Design U.S. Appl. No. 29/540,774, filed Sep. 28, 2015. USPTO, Notice of Allowance for Design U.S. Appl. No. 29/540,774, Mar. 28, 2016.

* cited by examiner

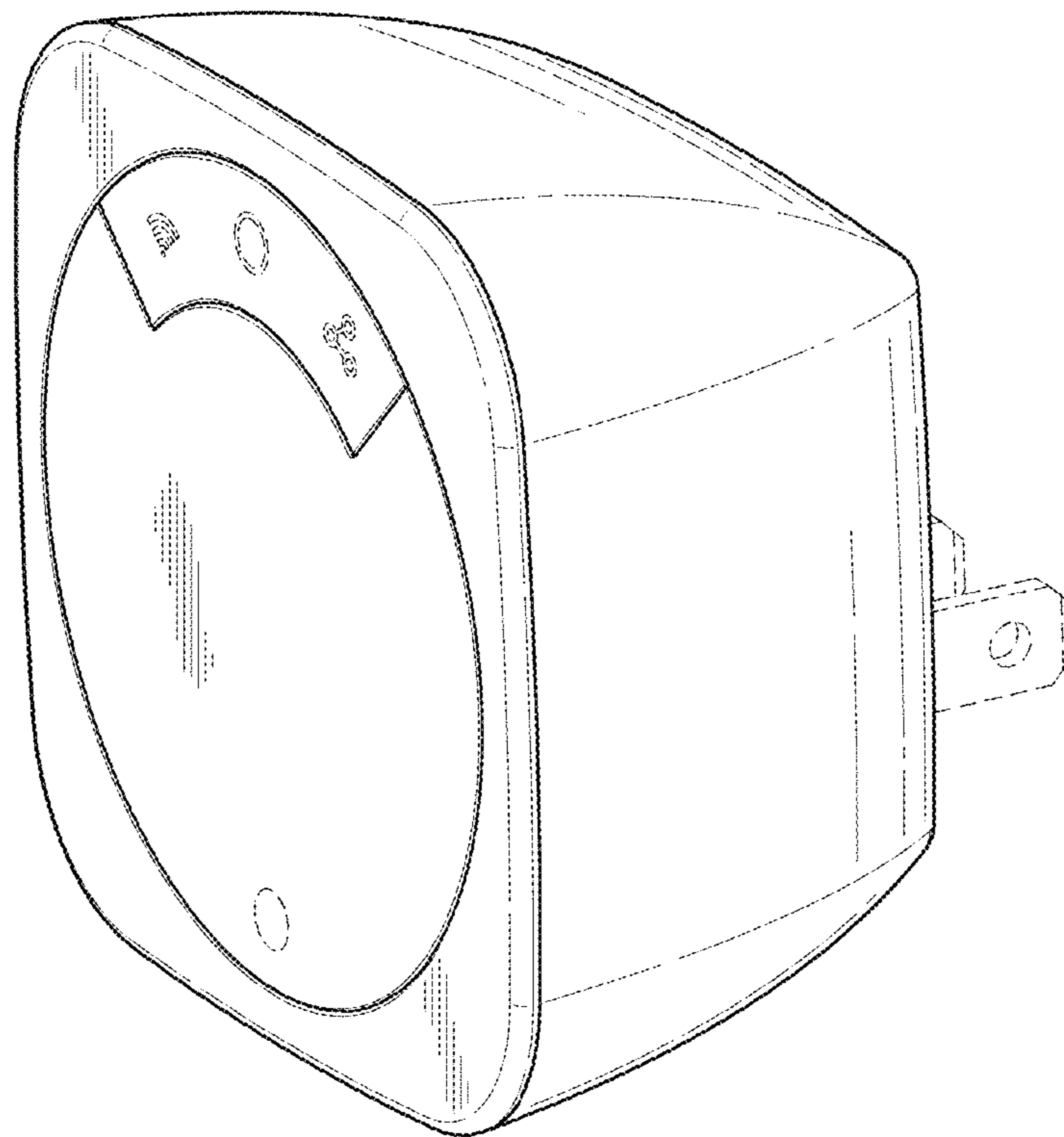


FIG. 1

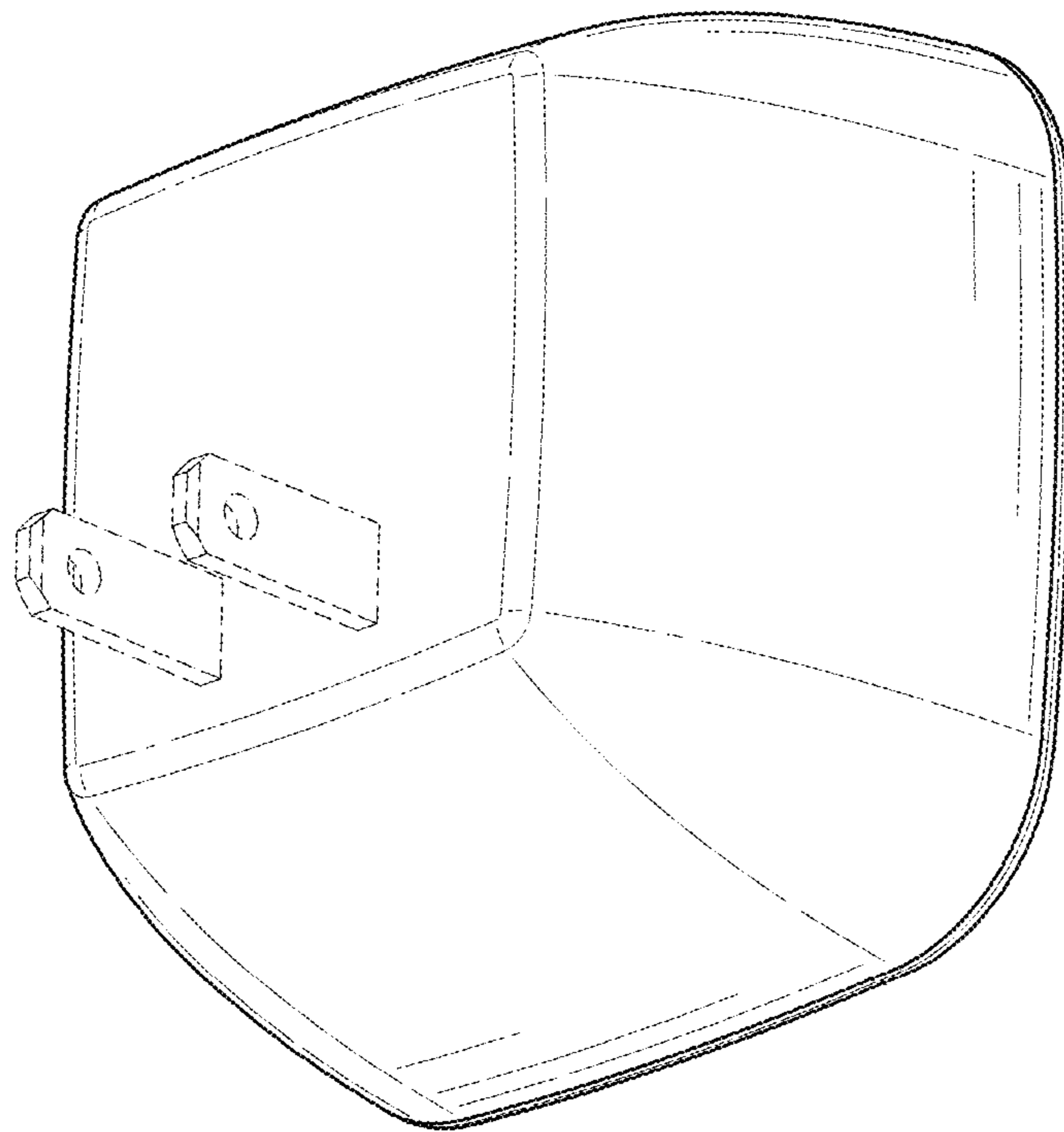


FIG. 2

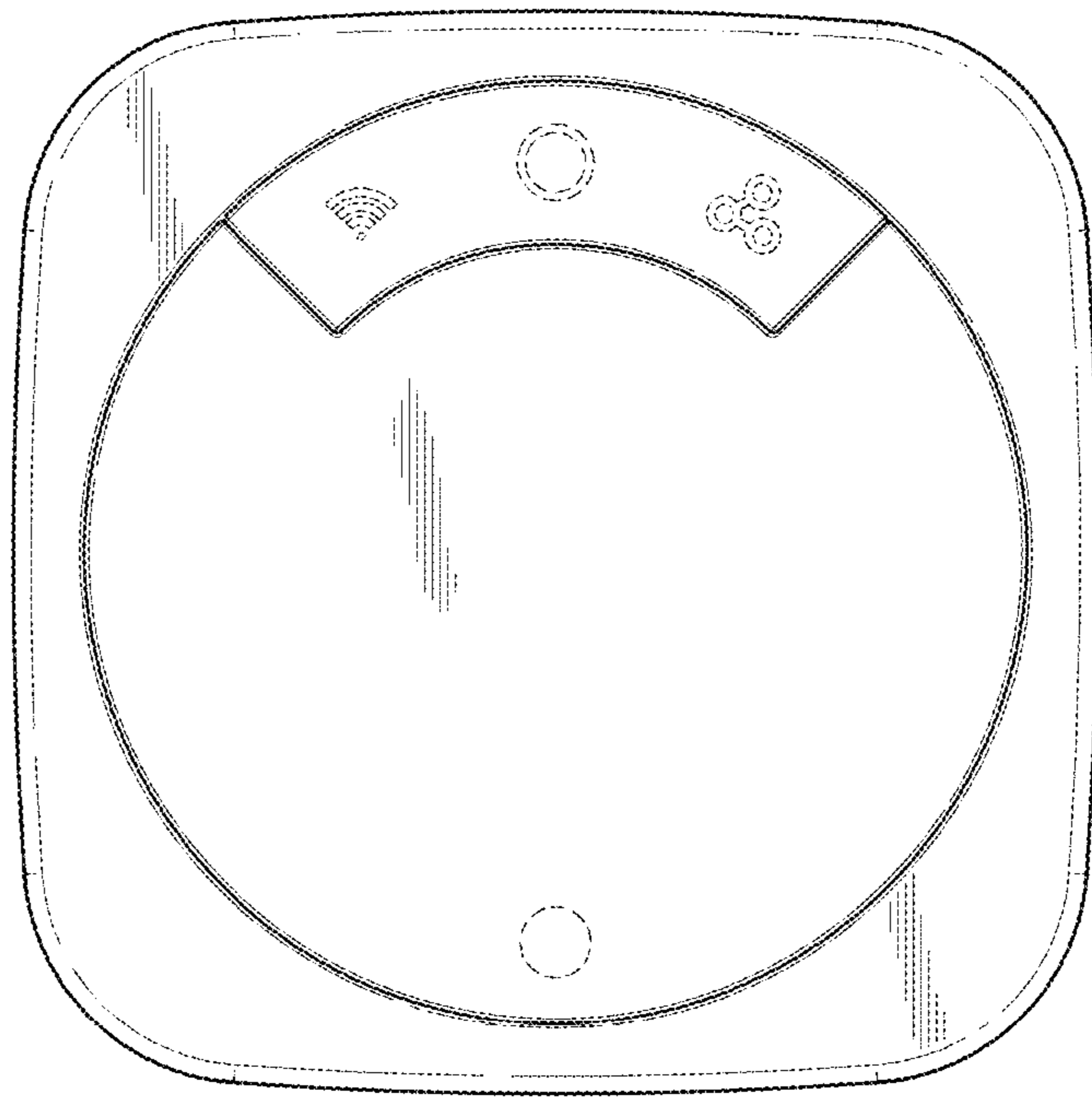


FIG. 3

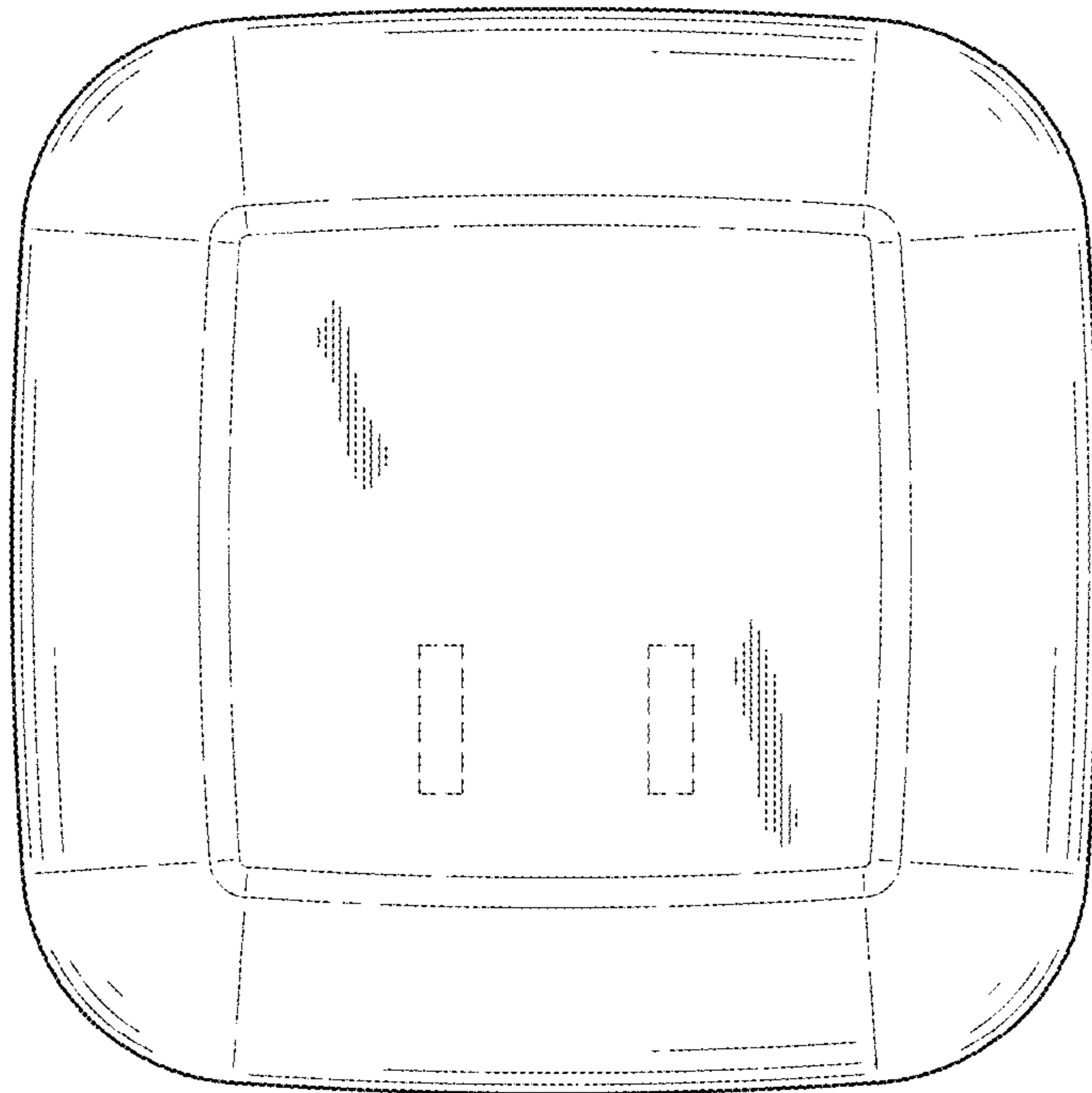


FIG. 4

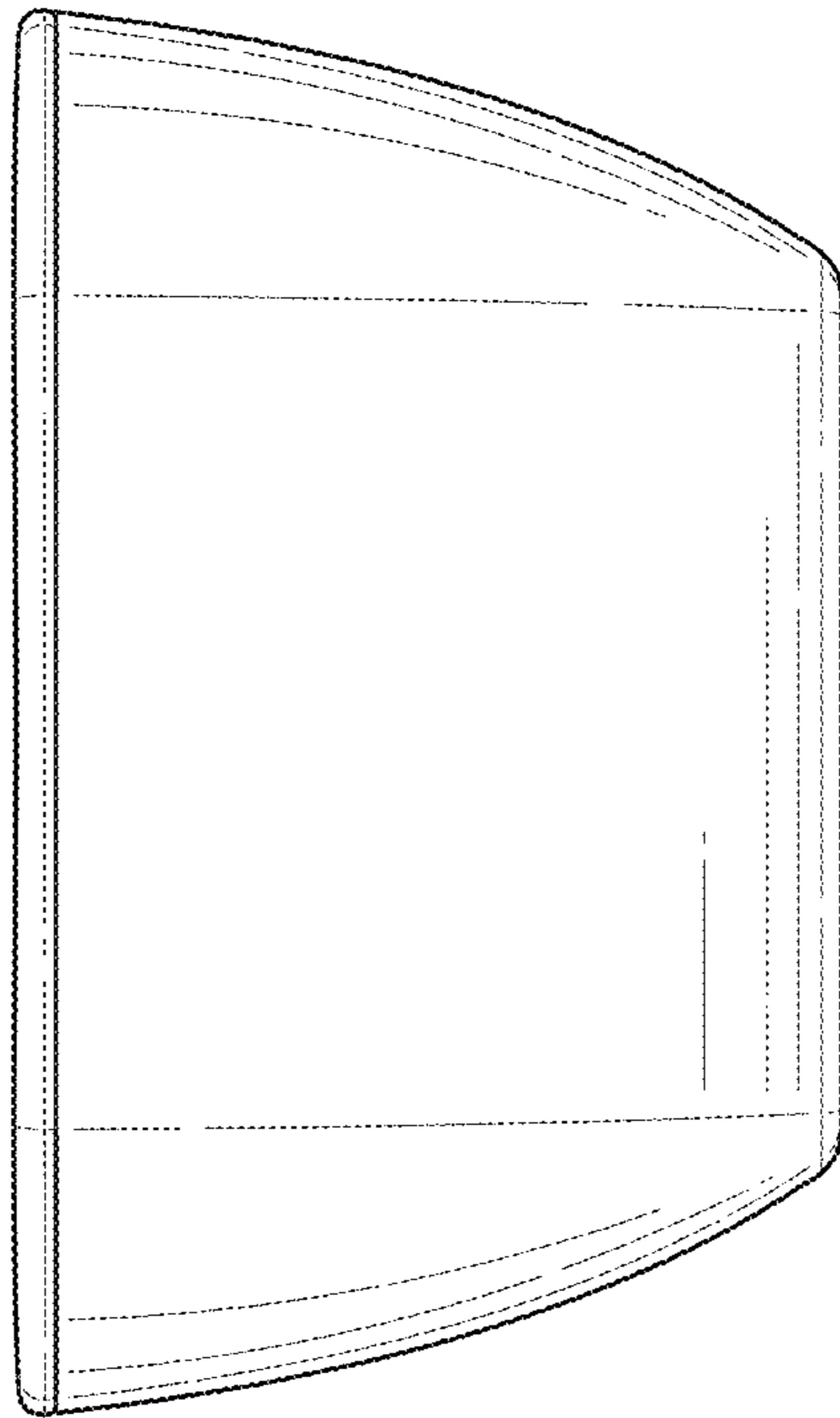


FIG. 5

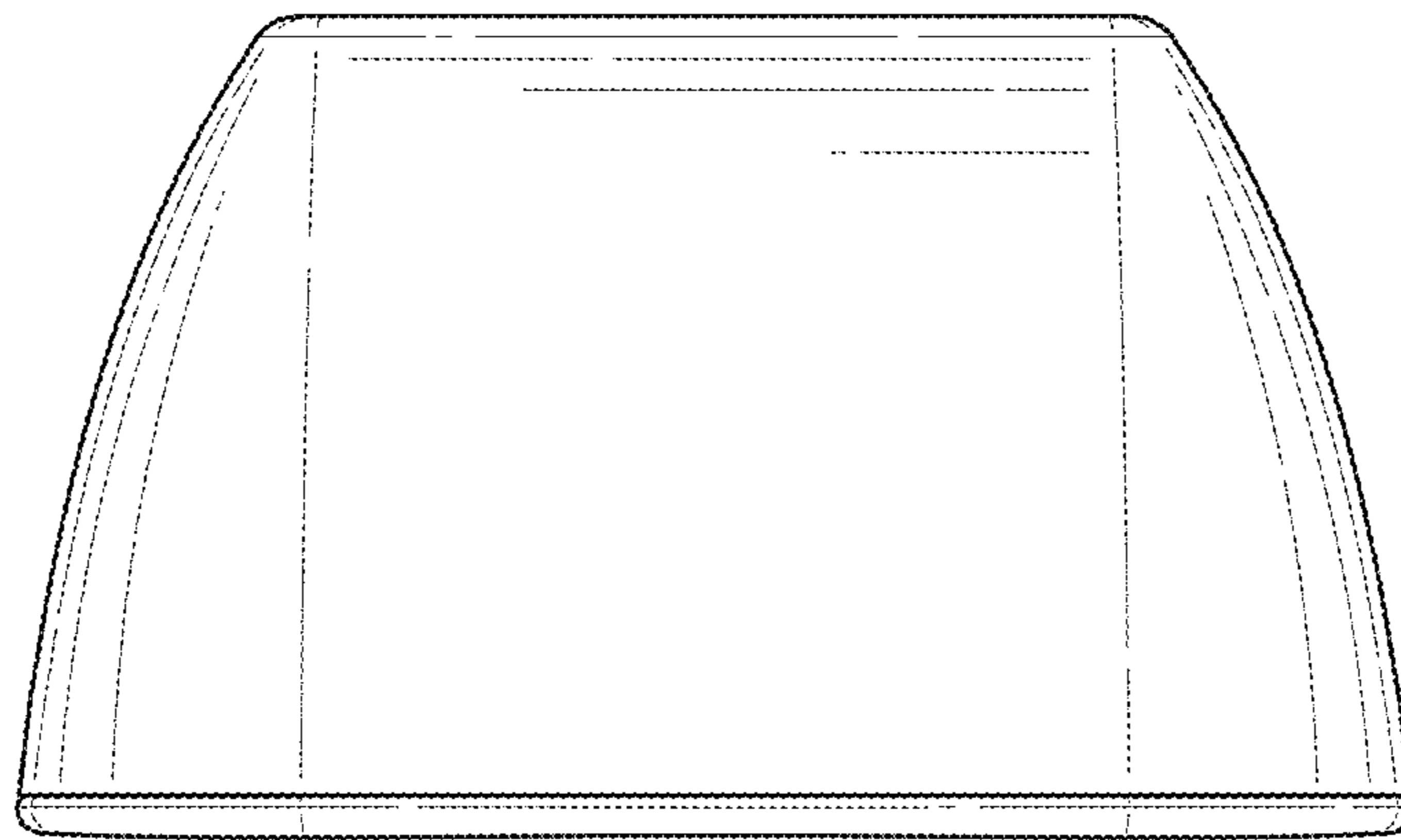


FIG. 6