

US00D771038S

(12) **United States Design Patent** (10) **Patent No.:** **US D771,038 S**
Akana et al. (45) **Date of Patent:** **** Nov. 8, 2016**

(54) **WEARABLE DEVICE**

(71) Applicant: **Apple Inc.**, Cupertino, CA (US)

(72) Inventors: **Jody Akana**, San Francisco, CA (US); **Bartley K. Andre**, Palo Alto, CA (US); **Shota Aoyagi**, San Francisco, CA (US); **Anthony Michael Ashcroft**, San Francisco, CA (US); **Jeremy Bataillou**, San Francisco, CA (US); **Daniel J. Coster**, San Francisco, CA (US); **Daniele De Iuliis**, San Francisco, CA (US); **M. Evans Hankey**, San Francisco, CA (US); **Julian Hoenig**, San Francisco, CA (US); **Richard P. Howarth**, San Francisco, CA (US); **Jonathan P. Ive**, San Francisco, CA (US); **Duncan Robert Kerr**, San Francisco, CA (US); **Marc A. Newson**, London (GB); **Matthew Dean Rohrbach**, San Francisco, CA (US); **Peter Russell-Clarke**, San Francisco, CA (US); **Benjamin Andrew Shaffer**, San Jose, CA (US); **Mikael Silvano**, San Francisco, CA (US); **Christopher J. Stringer**, Woodside, CA (US); **Eugene Antony Whang**, San Francisco, CA (US); **Rico Zörkendörfer**, San Francisco, CA (US)

(73) Assignee: **Apple Inc.**, Cupertino, CA (US)

(**) Term: **14 Years**

(21) Appl. No.: **29/519,683**

(22) Filed: **Mar. 6, 2015**

Related U.S. Application Data

(63) Continuation of application No. 29/499,082, filed on Aug. 11, 2014.

(51) **LOC (10) Cl.** **14-02**

(52) **U.S. Cl.**
USPC **D14/344**

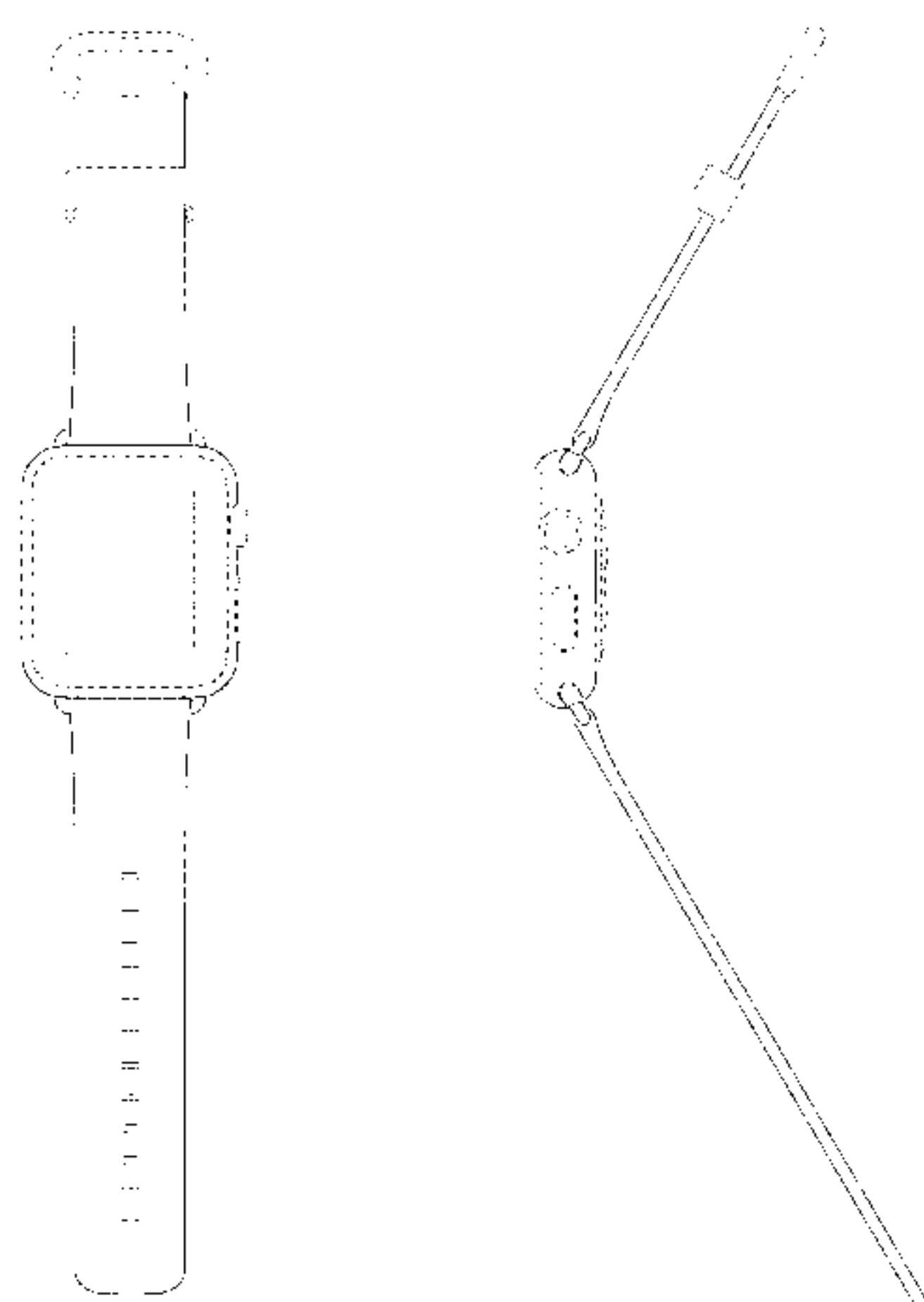
(58) **Field of Classification Search**

USPC D14/344, 138 R, 144, 358; D2/623, 626, D2/639, 878; D8/88, 356; D10/30-39, 70, D10/98; D11/3, 87, 93-94, 200, 201, 210, D11/216, 218, 221, 230-231; D24/167, D24/169, 186-187
CPC G06F 1/163; G06F 1/1628; G06F 1/1626; G06F 1/1635; G06F 1/08; G06F 1/10; G06F 1/04; G06F 1/14; G06F 1/3203; Y02B 60/1217; A41D 1/002; H04M 1/02; H04M 1/03; H04M 1/04; H04M 1/05; H04M 1/667; H04M 1/6058; H04B 1/385; H04B 1/3888; H04B 1/3833; A44C 5/00
See application file for complete search history.

(56) **References Cited**

U.S. PATENT DOCUMENTS

2,280,490 A	4/1942	Keltie
2,397,797 A	4/1946	Curto
D152,491 S	1/1949	Osier
3,030,686 A	4/1962	Burkhardt
3,640,065 A	2/1972	Lederrey et al.
3,665,565 A	5/1972	Kruger
3,675,284 A	7/1972	Rieth
D269,254 S	6/1983	Kishimoto
D287,471 S	12/1986	Sato et al.
D299,718 S	2/1989	Steer et al.
D305,422 S	1/1990	Steer et al.
D320,356 S	10/1991	Boyer et al.
D331,020 S	11/1992	Ishii
D333,626 S	3/1993	Chang
D349,864 S	8/1994	Dunlap et al.
5,363,351 A	11/1994	Carney
D355,375 S	2/1995	Bandy, II
5,386,933 A	2/1995	Greene et al.
5,574,701 A	11/1996	Harilela
D377,914 S	2/1997	Riley
D379,327 S	5/1997	Navera
D379,775 S	6/1997	Gazzola
D383,985 S	9/1997	Davenport
D386,980 S	12/1997	Houlihan
5,886,669 A	3/1999	Kita
D439,172 S	3/2001	Brzezinski
D440,901 S	4/2001	Bruce et al.
6,219,303 B1	4/2001	Morohoshi et al.
D441,680 S	5/2001	Bruce et al.
6,238,083 B1	5/2001	Hirano et al.
D455,093 S	4/2002	Fitzgerald



US D771,038 S

D473,818	S	4/2003	Salvisberg
6,655,831	B1	12/2003	Ruffieux
D494,098	S	8/2004	Cohen
D496,589	S	9/2004	Perrenoud
6,801,476	B2	10/2004	Gilmour
6,970,157	B2	11/2005	Siddeeq
D513,195	S	12/2005	Gruosi
7,004,469	B2	2/2006	Von Goeben
D528,439	S	9/2006	Burton
D528,928	S	9/2006	Burton
7,106,197	B2	9/2006	Gaiotto et al.
D536,265	S	2/2007	Reynoso
D538,687	S	3/2007	Komulainen
D549,602	S	8/2007	Oberrieder et al.
D550,105	S	9/2007	Oberrieder et al.
7,275,667	B2	10/2007	Bertucci
D558,227	S	12/2007	Cho et al.
D560,520	S	1/2008	Oberrieder et al.
D564,904	S	3/2008	Leung
D569,282	S	5/2008	Daniel
D572,266	S	7/2008	Anderson et al.
D573,905	S	7/2008	Poirier
D574,735	S	8/2008	Landman et al.
D578,922	S	10/2008	Hoshino
D584,170	S	1/2009	Morrison
D586,823	S	2/2009	Anderson et al.
D589,375	S	3/2009	Tang
D596,610	S	7/2009	Hou
7,591,581	B2	9/2009	Lovegrove et al.
D610,476	S	2/2010	Daniel
D616,417	S	5/2010	Liao
7,708,457	B2	5/2010	Girardin et al.
D622,164	S	8/2010	Mikkelsen
D631,373	S	1/2011	Mikkelsen
D637,094	S	5/2011	Cobbett et al.
D637,918	S	5/2011	Cobbett et al.
D645,360	S	9/2011	Kiser et al.
D650,706	S	12/2011	Zanella et al.
D666,503	S	9/2012	Bulgari
D670,583	S	11/2012	Shaanan
D672,667	S	12/2012	Mix
D681,483	S	5/2013	Biegert et al.
8,601,784	B2	12/2013	Kaltenrieder
8,613,544	B2	12/2013	Kitahara et al.
D699,701	S	2/2014	Kim
D714,288	S	9/2014	Aumiller et al.
D715,674	S	10/2014	Squires
D717,678	S	11/2014	Anderssen et al.
D717,679	S	11/2014	Anderssen et al.
D719,123	S	12/2014	Park et al.
D719,467	S	12/2014	Bradbury
D720,249	S	12/2014	Park et al.
D720,355	S	12/2014	Akana et al.
D724,469	S *	3/2015	Akana D11/3
D724,556	S *	3/2015	Choi D10/32
D727,197	S	4/2015	Akana et al.
D727,198	S *	4/2015	Akana D11/3
D727,199	S	4/2015	Akana et al.
D727,787	S	4/2015	Akana et al.
D728,624	S *	5/2015	Akana D14/496
D729,237	S *	5/2015	Fagnot D14/344
D729,654	S *	5/2015	Nuovo D10/103
D729,670	S	5/2015	Nuovo et al.
D732,416	S *	6/2015	Akana D11/3
D737,159	S *	8/2015	Akana D10/32
D740,693	S *	10/2015	Carmichael D10/32
D741,726	S *	10/2015	Akana D10/30
D750,524	S *	3/2016	Akana D11/3
D756,357	S *	5/2016	Akana D10/30
D756,824	S *	5/2016	Akana D10/103
D757,819	S *	5/2016	Akana D14/496
D759,011	S *	6/2016	Akana D14/344
D759,121	S *	6/2016	Akana D14/203.7
D759,725	S *	6/2016	Akana D14/496
2001/0017663	A1	8/2001	Yamaguchi et al.
2002/0051075	A1	5/2002	Yamaguchi et al.
2010/0061191	A1	3/2010	Chen
2014/0096345	A1	4/2014	Tschumi

2014/0098649	A1	4/2014	Tschumi
2016/0062392	A1 *	3/2016	Townsend G06F 1/163 361/679.03
2016/0062405	A1 *	3/2016	Mylvaganam B23K 26/364 361/679.03

FOREIGN PATENT DOCUMENTS

DE	19513647	A1	10/1995
DE	10229050	C1	6/2003
EM	001359301-0002		6/2013
EP	1098231	A1	5/2001
EP	001109706-0025		5/2009
EP	2636328	A1	9/2013
GB	618917	A	3/1949
GB	2082277		5/1984
GB	1056574		8/1989
GB	2047767		9/1995
GB	2049316		12/1995
HK	0501949.8		12/2005
HK	1001605.7		12/2010
JP	D1126907		11/2001
JP	D1337795		8/2008
JP	D1423962		9/2011
JP	D1433115		2/2012
JP	D1448029		8/2012
JP	D1462747		2/2013
WO	DM/012262-001		1/1989
WO	DM/049450-002		12/1999
WO	DM/066491-004		3/2005
WO	DM072215		9/2009
WO	DM/077452-004		6/2011
WO	DM/079044-003		9/2012
WO	2013182397	A1	12/2013
WO	2014135709	A2	9/2014

OTHER PUBLICATIONS

Google's upcoming smartwatch is an Android project not X Lab, posted Mar. 22, 2013, [retrieved Jul. 22, 2016]. Retrieved from Internet, <URL: <http://www.talkandroid.com/155456-google-upcoming-smartwatch-is-an-android-project-not-x-lab/>>.*

Omate Smartwatch Launches On Kickstarter Offering A Wealth Of Features, posted Aug. 22, 2013, [retrieved Jul. 22, 2016]. Retrieved from Internet, <URL: <http://www.geeky-gadgets.com/omate-smartwatch-launches-on-kickstarter-offering-a-wealth-of-features-video-22-08-2013/>>.*

U.S. Appl. No. 29/498,987, filed Aug. 11, 2014.

U.S. Appl. No. 29/498,996, filed Aug. 11, 2014.

U.S. Appl. No. 29/499,052, filed Aug. 11, 2014.

U.S. Appl. No. 29/499,061, filed Aug. 11, 2014.

U.S. Appl. No. 29/499,067, filed Aug. 11, 2014.

U.S. Appl. No. 29/499,068, filed Aug. 11, 2014.

U.S. Appl. No. 29/499,069, filed Aug. 11, 2014.

U.S. Appl. No. 29/499,071, filed Aug. 11, 2014.

U.S. Appl. No. 29/499,075, filed Aug. 11, 2014.

U.S. Appl. No. 29/499,080, filed Aug. 11, 2014.

U.S. Appl. No. 29/499,081, filed Aug. 11, 2014.

U.S. Appl. No. 29/499,082, filed Aug. 11, 2014.

U.S. Appl. No. 29/499,084, filed Aug. 11, 2014.

U.S. Appl. No. 29/499,087, filed Aug. 11, 2014.

U.S. Appl. No. 29/499,088, filed Aug. 11, 2014.

U.S. Appl. No. 29/499,089, filed Aug. 11, 2014.

U.S. Appl. No. 29/499,090, filed Aug. 11, 2014.

U.S. Appl. No. 29/499,091, filed Aug. 11, 2014.

U.S. Appl. No. 29/501,059, filed Aug. 29, 2014.

U.S. Appl. No. 29/501,152, filed Sep. 2, 2014.

U.S. Appl. No. 29/501,624, filed Sep. 5, 2014.

U.S. Appl. No. 29/501,720, filed Sep. 8, 2014.

U.S. Appl. No. 29/501,722, filed Sep. 8, 2014.

U.S. Appl. No. 29/501,723, filed Sep. 8, 2014.

U.S. Appl. No. 29/501,733, filed Sep. 8, 2014.

U.S. Appl. No. 29/501,737, filed Sep. 8, 2014.

U.S. Appl. No. 29/501,746, filed Sep. 8, 2014.

- U.S. Appl. No. 29/501,752, filed Sep. 8, 2014.
 U.S. Appl. No. 29/501,759, filed Sep. 8, 2014.
 U.S. Appl. No. 29/501,760, filed Sep. 8, 2014.
 U.S. Appl. No. 29/501,763, filed Sep. 8, 2014.
 U.S. Appl. No. 29/501,766, filed Sep. 8, 2014.
 U.S. Appl. No. 29/501,772, filed Sep. 8, 2014.
 U.S. Appl. No. 29/501,775, filed Sep. 8, 2014.
- Alvarez, Edgar, "Basis Peak to get its smartwatch-like features in December," *engadget.com*, <<http://www.engadget.com/2014/11/20/basis-peak-new-features/>>, dated Nov. 20, 2014, accessed Dec. 15, 2014.
- Cool Material, "Braun Square Digital Watch," <<http://web.archive.org/web/20111125033014/http://coolmaterial.com/style/braun-square-digital-watch/>>, dated Nov. 25, 2011, accessed Dec. 18, 2014.
- Emily, "Nixon—The Newton Digital," <<http://www.freshnessmag.com/2009/09/08/nixon-the-newton-digital/>>, *freshnessmag.com*, dated Sep. 8, 2009, accessed Oct. 9, 2014.
- etsy.com, "1 Set Silver End Cap Clasp—Findings Large Toggle Clasp End Caps Buckle Connector with Five Inside Loops for Jewelry Making 26mm," <<http://www.etsy.com/listing/101269004/1-set-silver-end-cap-clasp-findings?ref=market>>, Listed on Aug. 29, 2014, accessed Oct. 9, 2014.
- "Field Ops Watch Band Kit" <<http://www.511tactical.com/field-ops-watch-band-kit.html>>, accessed Nov. 25, 2014.
- Fitbit, "Fitbit Surge™ Fitness Super Watch" <<https://www.fitbit.com/surge>>, accessed Dec. 15, 2014.
- geekbuying.com, "Makibes unisex red led digital wrist watch with square case silicone watchband—white," <<http://www.geekbuying.com/item/Unisex-Red-LED-Digital-Wrist-Watch-with-Square-Case-Silicone-Watchband---White-326443.html>>, accessed Oct. 9, 2014.
- Hiemstra, Graham, "Worn & Wound Model 1 Horween Watch Strap," <<http://www.coolhunting.com/style/worn-wound-model-1-horween-watch-strap>>, dated Aug. 27, 2013, accessed Nov. 25, 2014.
- Hilbourne, Jason, "Wide Body: straps for Pebble," <<https://www.kickstarter.com/projects/1171859847/wide-body-straps-for-pebble>>, Listed Apr. 2, 2013, accessed Nov. 25, 2014.
- Hodinkee.com, "Apple iPod Nano Now Available With Mickey Mouse Dial, Also Cheesy, Mechanically Inaccurate Open-Worked Dial," <<http://web.archive.org/web/20111006043916/http://www.hodinkee.com/blog/2011/10/5/apple-ipod-nano-now-available-with-mickey-mouse-dial-also-ch.html>>, dated Oct. 6, 2011, accessed Dec. 18, 2014.
- Homego, "M6 Silver Smart Watch Cell Phone 1.54 inch Bluetooth 3.0 Dialer Outdoor Sports Pedometer," *amazon.com*, <<http://www.amazon.com/Silver-Bluetooth-Dialer-Outdoor-Pedometer/dp/B00MQTBGK6>>, accessed Dec. 15, 2014.
- Ikepod, "Original Ikepod Watch With GMT—Marc Newson Design," *Watchbox.be*, <<http://www.watchbox.be/prod/Others-Watches/Mac%20Newson%20Design/item7165.htm#VJLm2fAo5D8>>, accessed Dec. 17, 2014.
- LG Life's Good, "LG G Watch (W100)," <<http://www.lg.com/us/smart-watches/lg-W100-g-watch>>, accessed Dec. 18, 2014.
- Metawatch, "Frame—Black (MW3005)," <<http://meta.watch/collections/smartwatch-all/products/frame-ss-black-leather>>, accessed Dec. 15, 2014.
- Omate, "Omate TrueSmart: Water-resistant standalone Smartwatch 2.0," <<http://www.kickstarter.com/projects/omate/omate-truesmart-water-resistant-standalone-smartwa>>, dated Aug. 21, 2013, accessed Oct. 8, 2014.
- Omate, "The TrueSmart™ is the world's first standalone smartwatch 2.0 running on top of Android and OUI 2.0," <<http://www.omate.com/product.html>>, accessed Dec. 15, 2014.
- [Online] http://a.abcnews.com/images/Business/HT_gold_apple_iwatch_jef_14090_4x3_992.jpg, Retrieved on Feb. 4, 2015, 1 page.
- Pebble, "Pebble Smartwatch," *getpebble.com*, <<https://getpebble.com/checkout>>, accessed Dec. 15, 2014.
- Samsung, "Samsung Gear™ 2 Charcoal Black SM-R3800VSAXAR," <<http://www.samsung.com/us/mobile/wearable-tech/SM-R3800VSAXAR>>, accessed Dec. 15, 2014.
- Samsung, "Samsung Gear S™, (Sprint), Black SM-R750PZKASPR," <<http://www.samsung.com/us/mobile/wearable-tech/SM-R750PZKASPR>>, accessed Dec. 15, 2014.
- Samsung, "Galaxy Gear™ Live, Black SM-R3820ZKAXAR," <<http://www.samsung.com/us/mobile/wearable-tech/SM-R3820ZKAXAR>>, accessed Dec. 15, 2014.
- Sony, "SmartWatch 3 SWR50," <<http://www.sonymobile.com/us/products/smartwear/smartwatch-3-swr50/>>, accessed Dec. 15, 2014.
- Sony, "SmartWatch," <<http://www.sonymobile.com/us/products/accessories/smartwatch/>>, accessed Dec. 15, 2014.
- Stables, James, "Clevercare smartwatch aims to help Alzheimer's suffers and carers: Revamped Sony SmartWatch 2 designed for users that need care," *Wearable News*, <<http://www.wearable.com/wearable-tech/clevercare-smartwatch-aims-to-help-alzheimers-suffers-and-carers-585>>, dated Dec. 15, 2014.
- Team Luxe, "Collector's Edition: Hermes Carre H Watch," *Luxpresso*, <<http://luxpresso.com/news-couture/collectors-edition-hermes-carre-h-watch/2814>>, dated Jan. 10, 2011, accessed Dec. 18, 2014.
- Ted Baker, "Ted Baker Men's TE1054 Time Flies Contemporary Square Digital Case Watch," <<http://www.amazon.com/Ted-Baker-TE1054-Contemporary-Digital/dp/B0045CRTYO%3FSubscriptionId%3DAKIAJ3U4YRIBWCGGKZ2A%26tag%3D-frases365-20%26linkCode%3Dsp1%26camp%3D2025%26creative%3D165953%26creativeASIN%3DB-0045CRTYO>>, accessed Oct. 9, 2014.
- "Timex Men's Q7B808 Ironman Triathlon 30-Lap Resin 16mm Replacement Watchband" <http://www.amazon.com/Timex-Ironman-Triathlon-Replacement-Watchband/dp/B003OPZ5D0/ref=sr_1_1?s=apparel&ie=UTF8&qid=1416701895&sr=1-1&keywords=Timex+Men%27s+FQ7B808+Ironman+Triathlon+Lap+Resin+16mm+Replacement+Watchband>, accessed Nov. 25, 2014.
- Velazco, Chris, "Asus ZenWatch review: subtle and stylish, with a few shortcomings," *Engadget.com*, <<http://www.engadget.com/2014/12/11/asus-zenwatch-review/>>, dated Dec. 11, 2014, accessed Dec. 15, 2014.
- Watches Infoniac.com, "Hermes Carre H Watch—Extremely Contemporary Design," <<http://watches.infoniac.com/carre-h-watch-hermes.html>>, dated Aug. 13, 2010, accessed Dec. 18, 2014.
- Watchismo, "Braun BN0042 Black Date Leather," <<http://web.archive.org/web/20130815073830/http://www.watchismo.com/braun-bn0042bkbk.aspx>>, dated Aug. 15, 2013, accessed Dec. 18, 2014.

* cited by examiner

Primary Examiner — Barbara Fox

Assistant Examiner — Kristin E Reed

(74) *Attorney, Agent, or Firm* — Sterne, Kessler, Goldstein & Fox P.L.L.C.

(57) **CLAIM**

The ornamental design for a wearable device, as shown and described.

DESCRIPTION

FIG. 1 is a front view of a wearable device showing our new design;
 FIG. 2 is a rear view thereof;
 FIG. 3 is a right side view thereof;
 FIG. 4 is a left side view thereof;
 FIG. 5 is a top view thereof; and,
 FIG. 6 is a bottom view thereof.
 The broken lines in the Figures show portions of the wearable device that form no part of the claimed design.

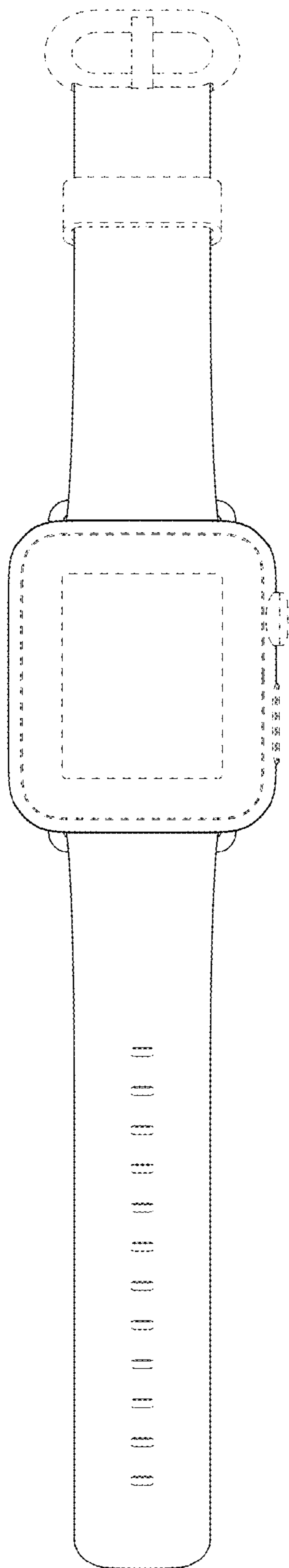


FIG. 1

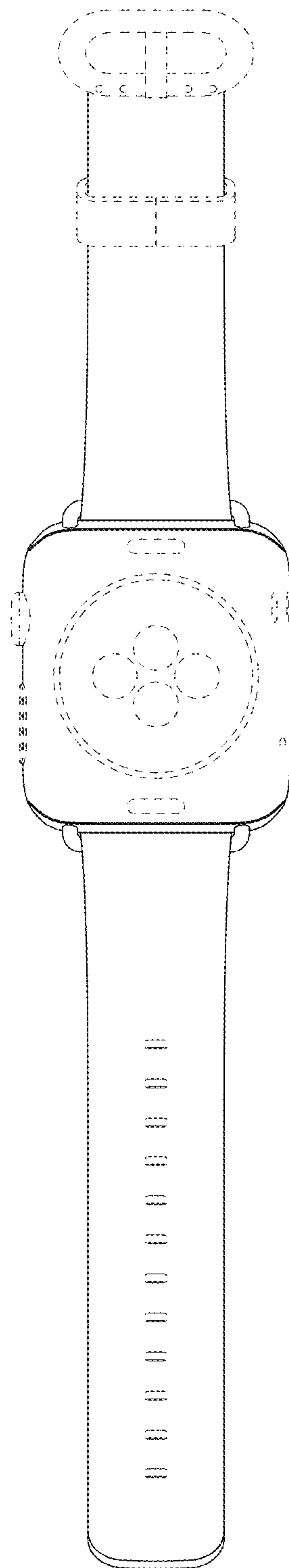


FIG. 2

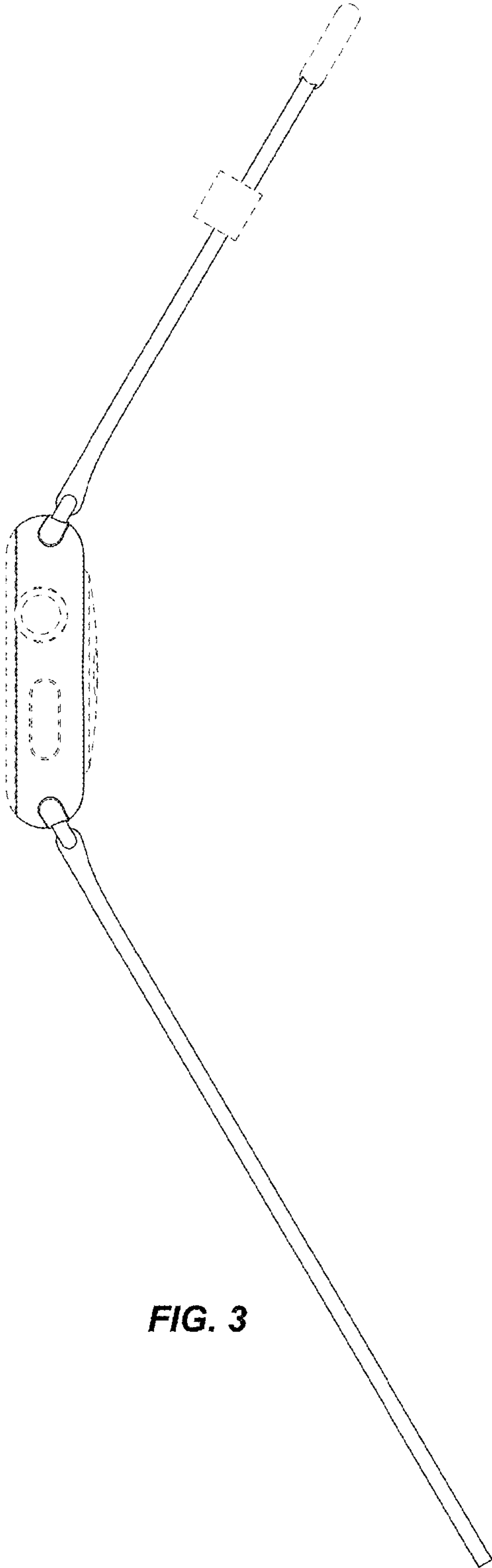


FIG. 3

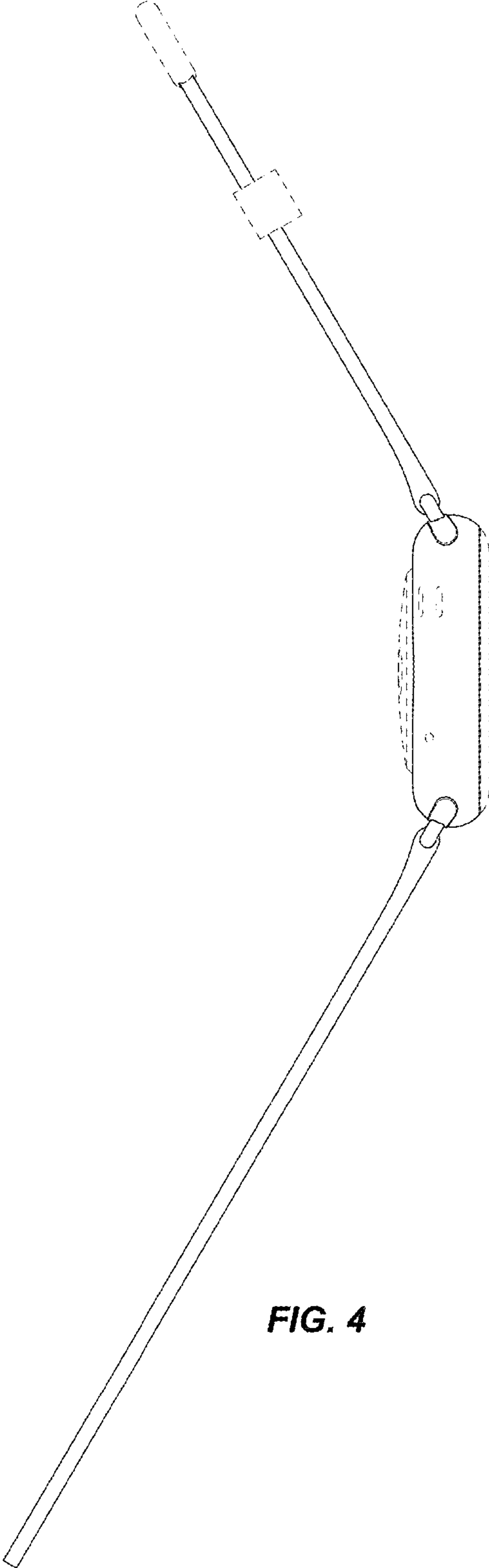


FIG. 4

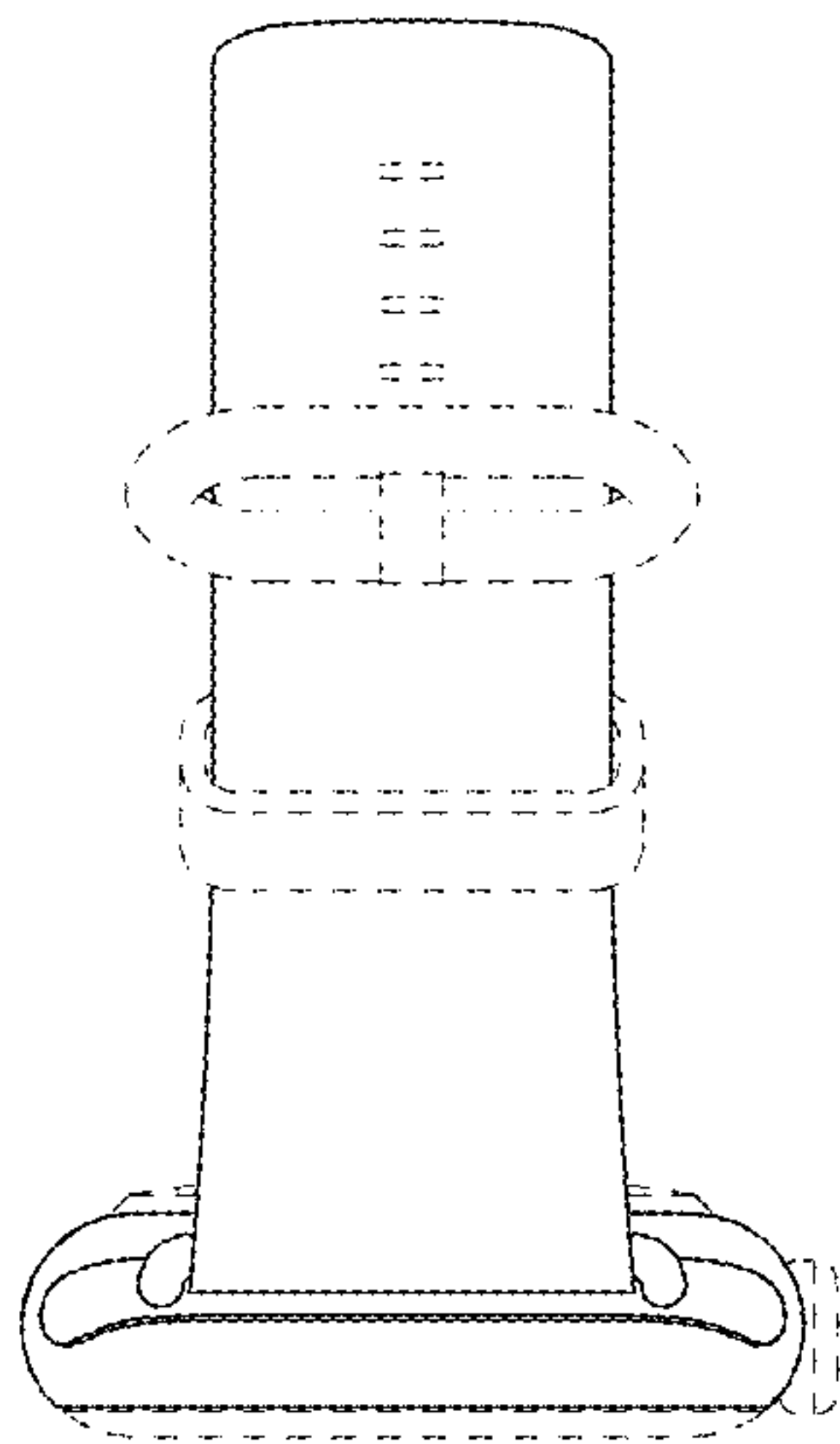


FIG. 5

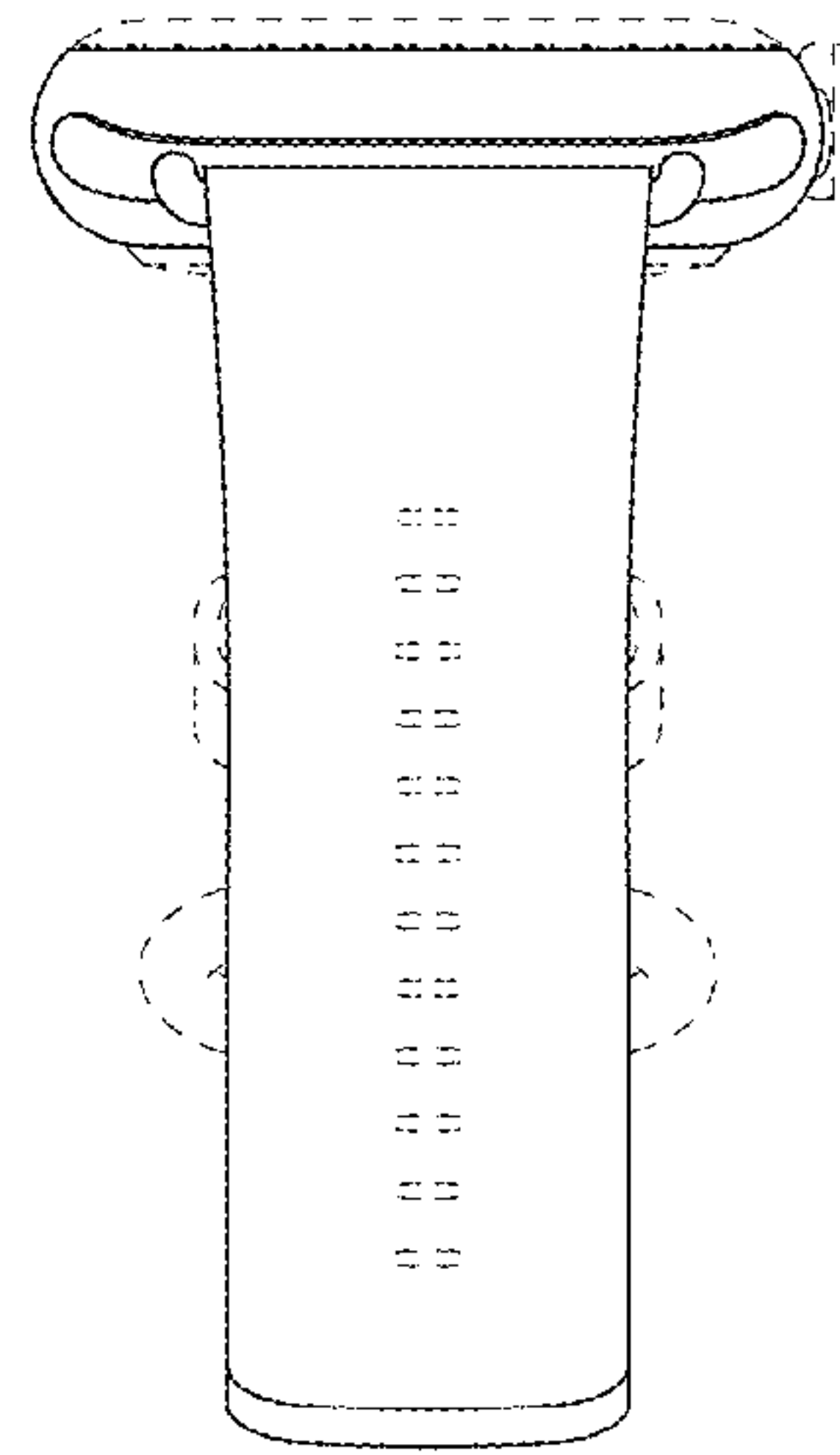


FIG. 6