



US00D771037S

(12) **United States Design Patent** (10) **Patent No.:** **US D771,037 S**
Akana et al. (45) **Date of Patent:** **** Nov. 8, 2016**

(54) **WEARABLE DEVICE**

(71) Applicant: **Apple Inc.**, Cupertino, CA (US)

(72) Inventors: **Jody Akana**, San Francisco, CA (US); **Bartley K. Andre**, Palo Alto, CA (US); **Shota Aoyagi**, San Francisco, CA (US); **Anthony Michael Ashcroft**, San Francisco, CA (US); **Jeremy Bataillou**, San Francisco, CA (US); **Daniel J. Coster**, San Francisco, CA (US); **Daniele De Iuliis**, San Francisco, CA (US); **M. Evans Hankey**, San Francisco, CA (US); **Julian Hoenig**, San Francisco, CA (US); **Richard P. Howarth**, San Francisco, CA (US); **Jonathan P. Ive**, San Francisco, CA (US); **Duncan Robert Kerr**, San Francisco, CA (US); **Marc A. Newson**, London (GB); **Matthew Dean Rohrbach**, San Francisco, CA (US); **Peter Russell-Clarke**, San Francisco, CA (US); **Benjamin Andrew Shaffer**, San Jose, CA (US); **Mikael Silvano**, San Francisco, CA (US); **Christopher J. Stringer**, Woodside, CA (US); **Eugene Antony Whang**, San Francisco, CA (US); **Rico Zörkendörfer**, San Francisco, CA (US)

(73) Assignee: **Apple Inc.**, Cupertino, CA (US)

(**) Term: **14 Years**

(21) Appl. No.: **29/519,678**

(22) Filed: **Mar. 6, 2015**

Related U.S. Application Data

(63) Continuation of application No. 29/499,081, filed on Aug. 11, 2014.

(51) **LOC (10) Cl.** **14-02**

(52) **U.S. Cl.**
USPC **D14/344**

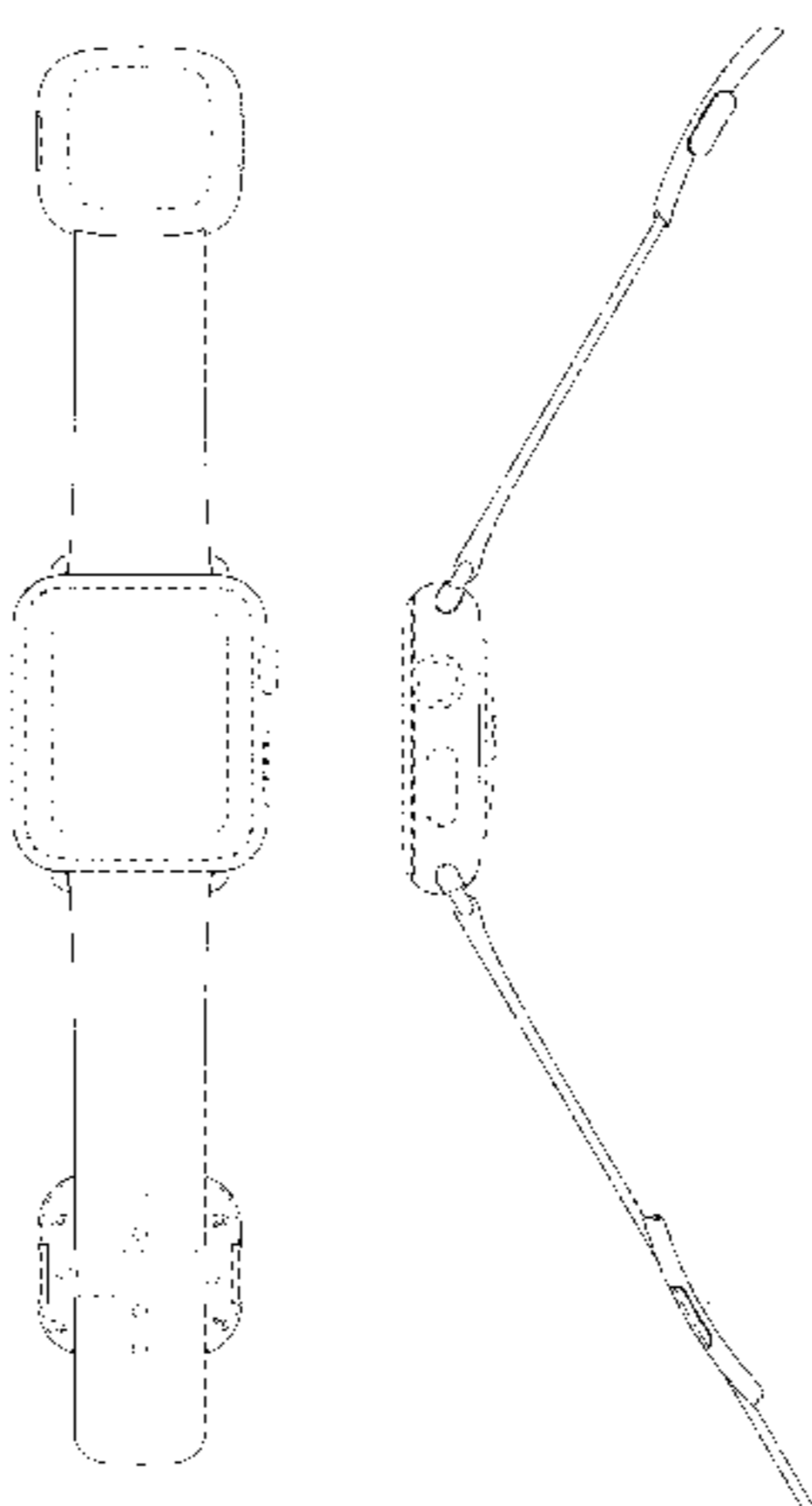
(58) **Field of Classification Search**

USPC D14/344; D2/623, 626, 639, 878; D8/88, 356; D10/30-39, 70, 98; D11/3, 87, 93-94, 200, 201, 210, 216, D11/218, 221, 230-231; D24/167, 169, D24/186-187
CPC G06F 1/163; G06F 1/1628; G06F 1/1626; G06F 1/1635; G06F 1/08; G06F 1/10; G06F 1/04; G06F 1/14; G06F 1/3203; A41D 1/002; H04M 1/02; H04M 1/03; H04M 1/04; H04M 1/05; H04M 1/667; H04M 1/6058; Y02B 60/1217; H04B 1/385; H04B 1/3888; H04B 1/3833; A44C 5/00
See application file for complete search history.

(56) **References Cited**

U.S. PATENT DOCUMENTS

482,289 A	9/1892	Ziegler
505,473 A	9/1893	Mehring
1,712,734 A	5/1929	Kraemer
2,280,490 A	4/1942	Keltie
D152,491 S	1/1949	Osier
3,030,686 A	4/1962	Burkhardt
3,640,065 A	2/1972	Lederrey et al.
3,665,565 A	5/1972	Kruger
3,675,284 A	7/1972	Rieth
D269,254 S	6/1983	Kishimoto
4,470,174 A	9/1984	Rhea
D287,471 S	12/1986	Sato et al.
D299,718 S	2/1989	Steer et al.
D305,422 S	1/1990	Steer et al.
D331,020 S	11/1992	Ishii et al.
D333,626 S	3/1993	Chang
D349,864 S	8/1994	Dunlap et al.
5,363,351 A	11/1994	Carney
D355,375 S	2/1995	Bandy, II
5,386,933 A	2/1995	Greene et al.
D439,172 S	3/2001	Brzezinski
D455,093 S	4/2002	Fitzgerald
D473,818 S	4/2003	Salvisberg
6,655,831 B1	12/2003	Ruffieux
D494,098 S	8/2004	Cohen
D496,589 S	9/2004	Perrenoud
6,970,157 B2	11/2005	Siddeeq
D513,195 S	12/2005	Grusi
7,004,469 B2	2/2006	Von Goeben
D528,439 S	9/2006	Burton
D528,928 S	9/2006	Burton



7,106,197	B2	9/2006	Gaiotto et al.	
D536,265	S	2/2007	Reynoso	
D538,687	S	3/2007	Komulainen	
D549,602	S	8/2007	Oberrieder et al.	
D550,105	S	9/2007	Oberrieder et al.	
D558,227	S	12/2007	Cho et al.	
D560,520	S	1/2008	Oberrieder et al.	
D564,367	S	3/2008	Molyneux	
D566,580	S	4/2008	Giorgio	
D569,282	S	5/2008	Daniel	
D572,266	S	7/2008	Anderson et al.	
D573,905	S	7/2008	Poirier	
D574,735	S	8/2008	Landman et al.	
7,406,789	B2	8/2008	Story	
D578,922	S	10/2008	Hoshino	
D584,170	S	1/2009	Morrison	
D586,823	S	2/2009	Anderson et al.	
D589,375	S	3/2009	Tang	
D596,610	S	7/2009	Hou	
7,591,581	B2	9/2009	Lovegrove et al.	
D610,476	S	2/2010	Daniel	
D616,417	S	5/2010	Liao	
7,708,457	B2	5/2010	Girardin et al.	
D628,510	S	12/2010	Maier	
D637,094	S	5/2011	Cobbett et al.	
D637,918	S	5/2011	Cobbett et al.	
D645,360	S	9/2011	Kiser et al.	
D650,706	S	12/2011	Zanella et al.	
D666,503	S	9/2012	Bulgari	
D670,583	S	11/2012	Shaanan	
D672,667	S	12/2012	Mix	
D681,483	S	5/2013	Biegert et al.	
8,601,784	B2	12/2013	Kaltenrieder	
D699,701	S	2/2014	Kim	
D711,002	S	8/2014	Ohnemus et al.	
D714,288	S	9/2014	Aumiller et al.	
D717,678	S	11/2014	Anderssen et al.	
D717,679	S	11/2014	Anderssen et al.	
D718,170	S	11/2014	Aumiller et al.	
D719,123	S	12/2014	Park et al.	
D720,355	S	12/2014	Akana et al.	
D724,469	S *	3/2015	Akana	D11/3
D724,556	S *	3/2015	Choi	D10/32
D727,197	S	4/2015	Akana et al.	
D727,198	S *	4/2015	Akana	D11/3
D727,199	S	4/2015	Akana et al.	
D727,787	S	4/2015	Akana et al.	
D728,624	S *	5/2015	Akana	D14/496
D729,237	S *	5/2015	Fagnot	D14/344
D729,654	S *	5/2015	Nuovo	D10/103
D729,670	S	5/2015	Nuovo et al.	
D732,416	S *	6/2015	Akana	D11/3
D737,159	S *	8/2015	Akana	D10/32
D740,693	S *	10/2015	Carmichael	D10/32
D741,726	S *	10/2015	Akana	D10/30
D750,524	S *	3/2016	Akana	D11/3
D756,357	S *	5/2016	Akana	D10/30
D756,824	S *	5/2016	Akana	D10/103
D757,819	S *	5/2016	Akana	D14/496
D759,011	S *	6/2016	Akana	D14/344
D759,121	S *	6/2016	Akana	D14/203.7
D759,725	S *	6/2016	Akana	D14/496
2010/0061191	A1	3/2010	Chen	
2014/0096345	A1	4/2014	Tschumi	
2014/0098649	A1	4/2014	Tschumi	
2016/0062392	A1 *	3/2016	Townsend	G06F 1/163 361/679.03
2016/0062405	A1 *	3/2016	Mylvaganam	B23K 26/364 361/679.03

FOREIGN PATENT DOCUMENTS

DE	10229050	C1	6/2003
DE	20319858	U1	4/2004
EM	001359301-0002		6/2013
EP	1098231	A1	5/2001
EP	2636328	A1	9/2013
ES	002297770-0003		6/2013
GB	618917	A	3/1949

GB	2082277		5/1984
GB	2088761		2/2000
HK	0501949.8		12/2005
HK	1001605.7		12/2010
JP	H08336406	A	12/1996
JP	D1140196		4/2002
JP	D1263841		2/2006
JP	D1279761		8/2006
JP	D1296110		3/2007
JP	D1380179		2/2010
JP	D1494268		4/2014
JP	D1511746		11/2014
WO	DM/012262-001		1/1989
WO	DM/066491-004		3/2005
WO	DM072215		9/2009
WO	DM/077452-004		6/2011
WO	2013182397	A1	12/2013
WO	2014135709	A2	9/2014

OTHER PUBLICATIONS

Google's upcoming smartwatch is an Android project not X Lab, posted Mar. 22, 2013, [retrieved Jul. 22, 2016]. Retrieved from Internet, <URL: <http://www.talkandroid.com/155456-google-upcoming-smartwatch-is-an-android-project-not-x-lab/>>.*

Omate Smartwatch Launches on Kickstarter Offering a Wealth of Features, posted Aug. 22, 2013, [retrieved Jul. 22, 2016]. Retrieved from Internet, <URL: <http://www.geeky-gadgets.com/omate-smartwatch-launches-on-kickstarter-offering-a-wealth-of-features-video-22/08/2013/>>.*

- U.S. Appl. No. 29/498,987, filed Aug. 11, 2014.
- U.S. Appl. No. 29/498,996, filed Aug. 11, 2014.
- U.S. Appl. No. 29/498,997, filed Aug. 11, 2014.
- U.S. Appl. No. 29/499,052, filed Aug. 11, 2014.
- U.S. Appl. No. 29/499,061, filed Aug. 11, 2014.
- U.S. Appl. No. 29/499,067, filed Aug. 11, 2014.
- U.S. Appl. No. 29/499,068, filed Aug. 11, 2014.
- U.S. Appl. No. 29/499,069, filed Aug. 11, 2014.
- U.S. Appl. No. 29/499,071, filed Aug. 11, 2014.
- U.S. Appl. No. 29/499,075, filed Aug. 11, 2014.
- U.S. Appl. No. 29/499,080, filed Aug. 11, 2014.
- U.S. Appl. No. 29/499,081, filed Aug. 11, 2014.
- U.S. Appl. No. 29/499,084, filed Aug. 11, 2014.
- U.S. Appl. No. 29/499,087, filed Aug. 11, 2014.
- U.S. Appl. No. 29/499,088, filed Aug. 11, 2014.
- U.S. Appl. No. 29/499,089, filed Aug. 11, 2014.
- U.S. Appl. No. 29/499,090, filed Aug. 11, 2014.
- U.S. Appl. No. 29/499,091, filed Aug. 11, 2014.
- U.S. Appl. No. 29/501,059, filed Aug. 29, 2014.
- U.S. Appl. No. 29/501,152, filed Sep. 2, 2014.
- U.S. Appl. No. 29/501,624, filed Sep. 5, 2014.
- U.S. Appl. No. 29/501,720, filed Sep. 8, 2014.
- U.S. Appl. No. 29/501,722, filed Sep. 8, 2014.
- U.S. Appl. No. 29/501,723, filed Sep. 8, 2014.
- U.S. Appl. No. 29/501,733, filed Sep. 8, 2014.
- U.S. Appl. No. 29/501,737, filed Sep. 8, 2014.
- U.S. Appl. No. 29/501,746, filed Sep. 8, 2014.
- U.S. Appl. No. 29/501,752, filed Sep. 8, 2014.
- U.S. Appl. No. 29/501,759, filed Sep. 8, 2014.
- U.S. Appl. No. 29/501,760, filed Sep. 8, 2014.
- U.S. Appl. No. 29/501,766, filed Sep. 8, 2014.
- U.S. Appl. No. 29/501,772, filed Sep. 8, 2014.
- U.S. Appl. No. 29/501,775, filed Sep. 8, 2014.

Alvarez, Edgar, "Basis Peak to get its smartwatch-like features in December," engadget.com, <<http://www.engadget.com/2014/11/20/basis-peak-new-features/>>, dated Nov. 20, 2014, accessed Dec. 15, 2014.

Cool Material, "Braun Square Digital Watch," <<http://web.archive.org/web/20111125033014/http://coolmaterial.com/style/braun-square-digital-watch/>>, dated Nov. 25, 2011, accessed Dec. 18, 2014.

Emily, "Nixon—The Newton Digital," <<http://www.freshnessmag.com/2009/09/08/nixon-the-newton-digital/>>, freshnessmag.com, dated Sep. 8, 2009, accessed Oct. 9, 2014.

etsy.com, "1 Set Silver End Cap Clasp—Findings Large Toggle Clasp End Caps Buckle Connector with Five Inside Loops for Jewelry Making 26mm," <<http://www.etsy.com/listing/101269004/1-set-silver-end-cap-clasp-findings?ref=market>>, Listed on Aug. 29, 2014, accessed Oct. 9, 2014.

Fitbit, "Fitbit Surge™ Fitness Super Watch" <<https://www.fitbit.com/surge>>, accessed Dec. 15, 2014.

geekbuying.com, "Makibes unisex red led digital wrist watch with square case silicone watchband—white," <<http://www.geekbuying.com/item/Unisex-Red-LED-Digital-Wrist-Watch-with-Square-Case-Silicone-Watchband---White-326443.html>>, accessed Oct. 9, 2014.

Hodinkee.com, "Apple iPod Nano Now Available With Mickey Mouse Dial, Also Cheesy, Mechanically Inaccurate Open-Worked Dial," <<http://web.archive.org/web/20111006043916/http://www.hodinkee.com/blog/2011/10/5/apple-ipod-nano-now-available-with-mickey-mouse-dial-also-ch.html>>, dated Oct. 6, 2011, accessed Dec. 18, 2014.

Homego, "M6 Silver Smart Watch Cell Phone 1.54 inch Bluetooth 3.0 Dialer Outdoor Sports Pedometer," amazon.com, <<http://www.amazon.com/Silver-Bluetooth-Dialer-Outdoor-Pedometer/dp/B00MQTBGK6>>, accessed Dec. 15, 2014.

Ikepod, "Original Ikepod Watch With GMT—Marc Newson Design," Watchbox.be, <<http://www.watchbox.be/prod/Other-Watches/Marc%20Newson%20Design/item7165.htm#VJLm2fAo5D8>>, accessed Dec. 17, 2014.

LG Life's Good, "LG G Watch (W100)," <<http://www.lg.com/us/smart-watches/Ig-W100-g-watch>>, accessed Dec. 18, 2014.

Metawatch, "Frame—Black (MW3005)," <<http://meta.watch/collections/smartwatch-all/products/frame-ss-black-leather>>, accessed Dec. 15, 2014.

Omate, "Ornate TrueSmart: Water-resistant standalone Smartwatch 2.0," <<http://www.kickstarter.com/projects/omate/omate-truesmart-water-resistant-standalone-smartwa>>, dated Aug. 21, 2013, accessed Oct. 8, 2014.

Ornate, "The TrueSmart™ is the world's first standalone smartwatch 2.0 running on top of Android and OUI 2.0," <<http://www.omate.com/product.html>>, accessed Dec. 15, 2014.

[online] <<http://everydaydigitals.com/heres-what-i-think/21/apples-wearable-device-will-be-more-nike-fuel-band-than-pebble-watch>> Retrieved on Dec. 25, 2014.

[online] <<http://www.computerworlduk.com/slideshow/mobile-wireless/3573389/the-many-looks-of-the-apple-watch/6/#content>> Retrieved on Dec. 25, 2014.

Pebble, "Pebble Smartwatch," getpebble.com, <<https://getpebble.com/checkout>>, accessed Dec. 15, 2014.

Samsung, "Samsung Gear™ 2 Charcoal Black SM-R3800VSAXAR," <<http://www.samsung.com/us/mobile/wearable-tech/SM-R3800VSAXAR>>, accessed Dec. 15, 2014.

Samsung, "Samsung Gear S™, (Sprint), Black SM-R750PZKASPR," <<http://www.samsung.com/us/mobile/wearable-tech/SM-R750PZKASPR>>, accessed Dec. 15, 2014.

Samsung, "Galaxy Gear™ Live, Black SM-R3820ZKAXAR," <<http://www.samsung.com/us/mobile/wearable-tech/SM-R3820ZKAXAR>>, accessed Dec. 15, 2014.

Sony, "SmartWatch 3 SWR50," <<http://www.sonymobile.com/us/products/smartwear/smartwatch-3-swr50/>>, accessed Dec. 15, 2014.

Sony, "SmartWatch," <<http://www.sonymobile.com/us/products/accessories/smartwatch/>>, accessed Dec. 15, 2014.

Stables, James, "Clevercare smartwatch aims to help Alzheimer's suffers and carers: Revamped Sony SmartWatch 2 designed for users that need care," Wearable News, <<http://www.wearable.com/wearable-tech/clevercare-smartwatch-aims-to-help-alzheimers-suffers-and-carers-585>>, dated Dec. 15, 2014.

Team Luxe, "Collector's Edition: Hermes Carre H Watch," Luxpresso, <<http://luxpresso.com/news-couture/collectors-edition-hermes-carre-h-watch/2814>>, dated Jan., 10, 2011, accessed Dec. 18, 2014.

Ted Baker, "Ted Baker Men's TE1054 Time Flies Contemporary Square Digital Case Watch," <<http://www.amazon.com/Ted-Baker-TE1054-Contemporary-Digital/dp/B0045CRTYO%3FSubscriptionId%3DAKIAJ3U4YRIBWCGGKZ2A%26tag%3Dfrases-365-20%26linkCode%3Dsp1%26camp%3D2025%26creative%3D165953%26creativeASIN%3DB0045CRTYO>>, accessed Oct. 9, 2014.

Velazco, Chris, "ASUS ZenWatch review: subtle and stylish, with a few shortcomings," Engadget.com, <<http://www.engadget.com/2014/12/11/asus-zenwatch-review/>>, dated Dec. 11, 2014, accessed Dec. 15, 2014.

Watches Infoniac.com, "Hermes Carre H Watch—Extremely Contemporary Design," <<http://watches.infoniac.com/carre-h-watch-hermes.html>>, dated Aug. 13, 2010, accessed Dec. 18, 2014.

Watchismo, "Braun BN0042 Black Date Leather," <<http://web.archive.org/web/20130815073830/http://www.watchismo.com/braun-bn0042bkbk.aspx>>, dated Aug. 15, 2013, accessed Dec. 18, 2014.

* cited by examiner

Primary Examiner — Barbara Fox

Assistant Examiner — Kristin E Reed

(74) *Attorney, Agent, or Firm* — Sterne, Kessler, Goldstein & Fox P.L.L.C.

(57) **CLAIM**

The ornamental design for a wearable device, as shown and described.

DESCRIPTION

FIG. 1 is a front view of a wearable device showing the claimed design;

FIG. 2 is a rear view thereof;

FIG. 3 is a right side view thereof;

FIG. 4 is a left side view thereof;

FIG. 5 is a top view thereof; and,

FIG. 6 is a bottom view thereof.

The broken lines in the figures show portions of the wearable device that form no part of the claimed design.

1 Claim, 4 Drawing Sheets

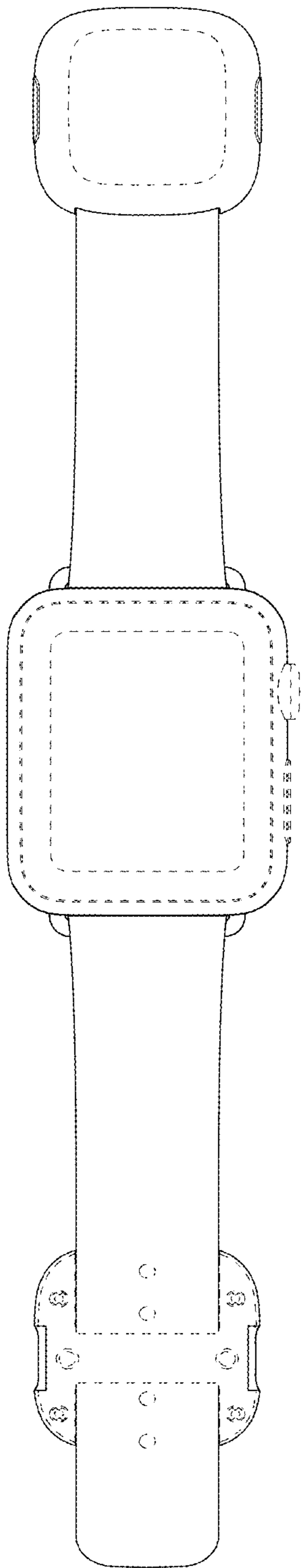


FIG. 1

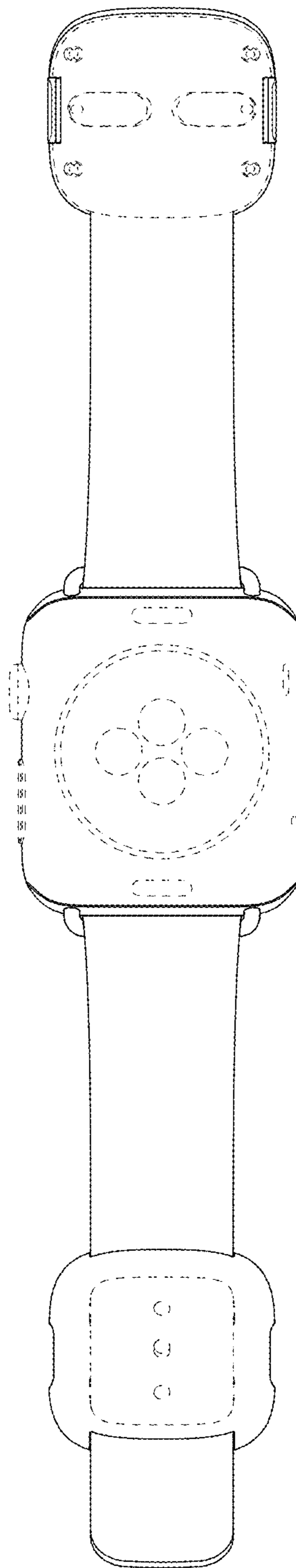


FIG. 2

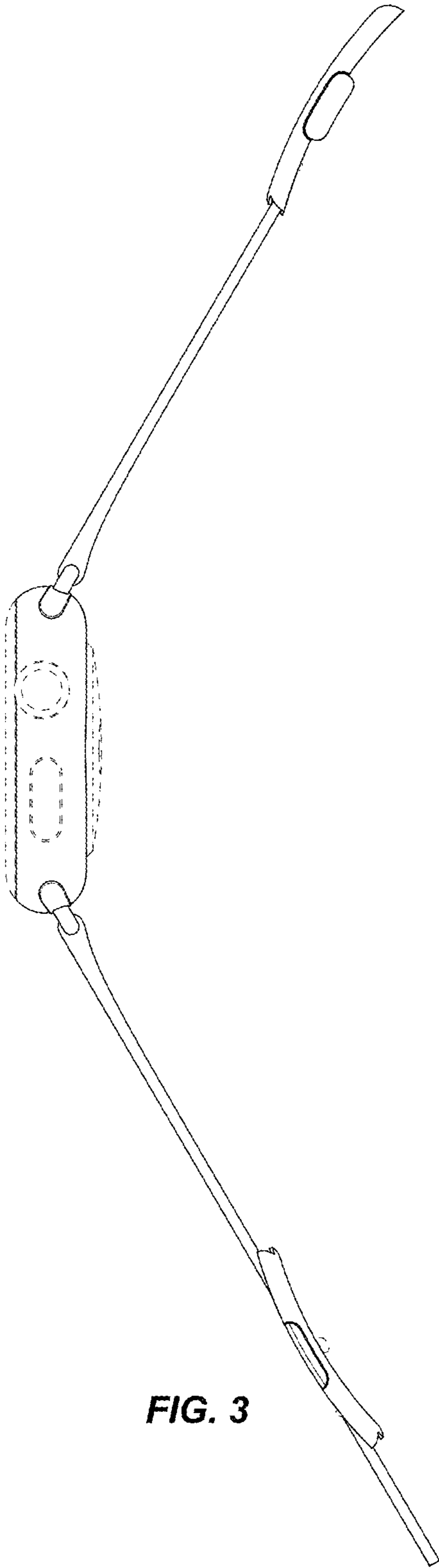


FIG. 3

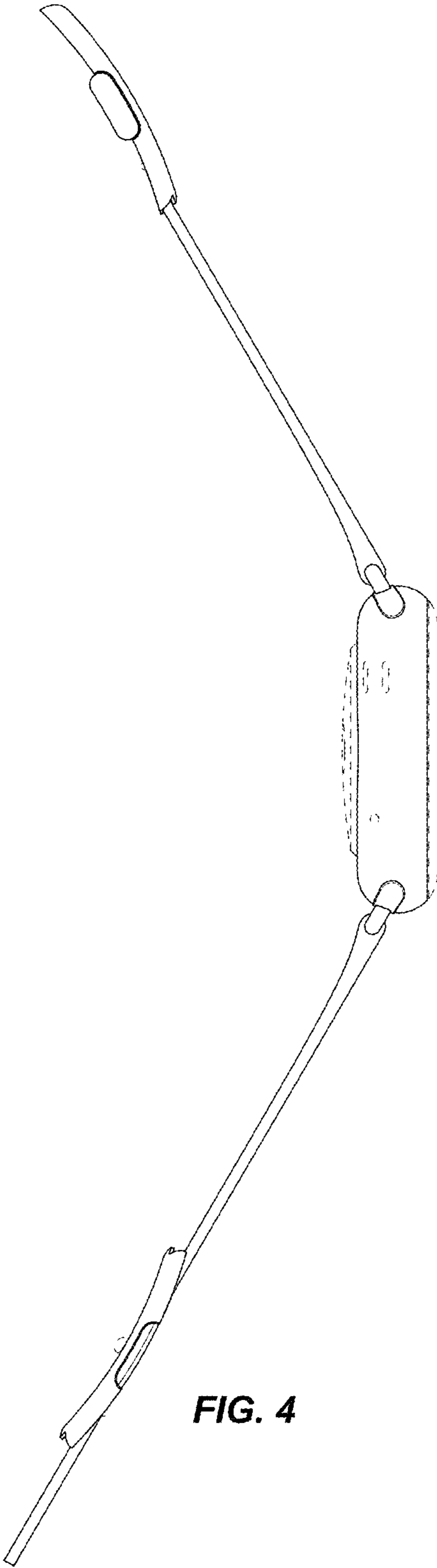


FIG. 4

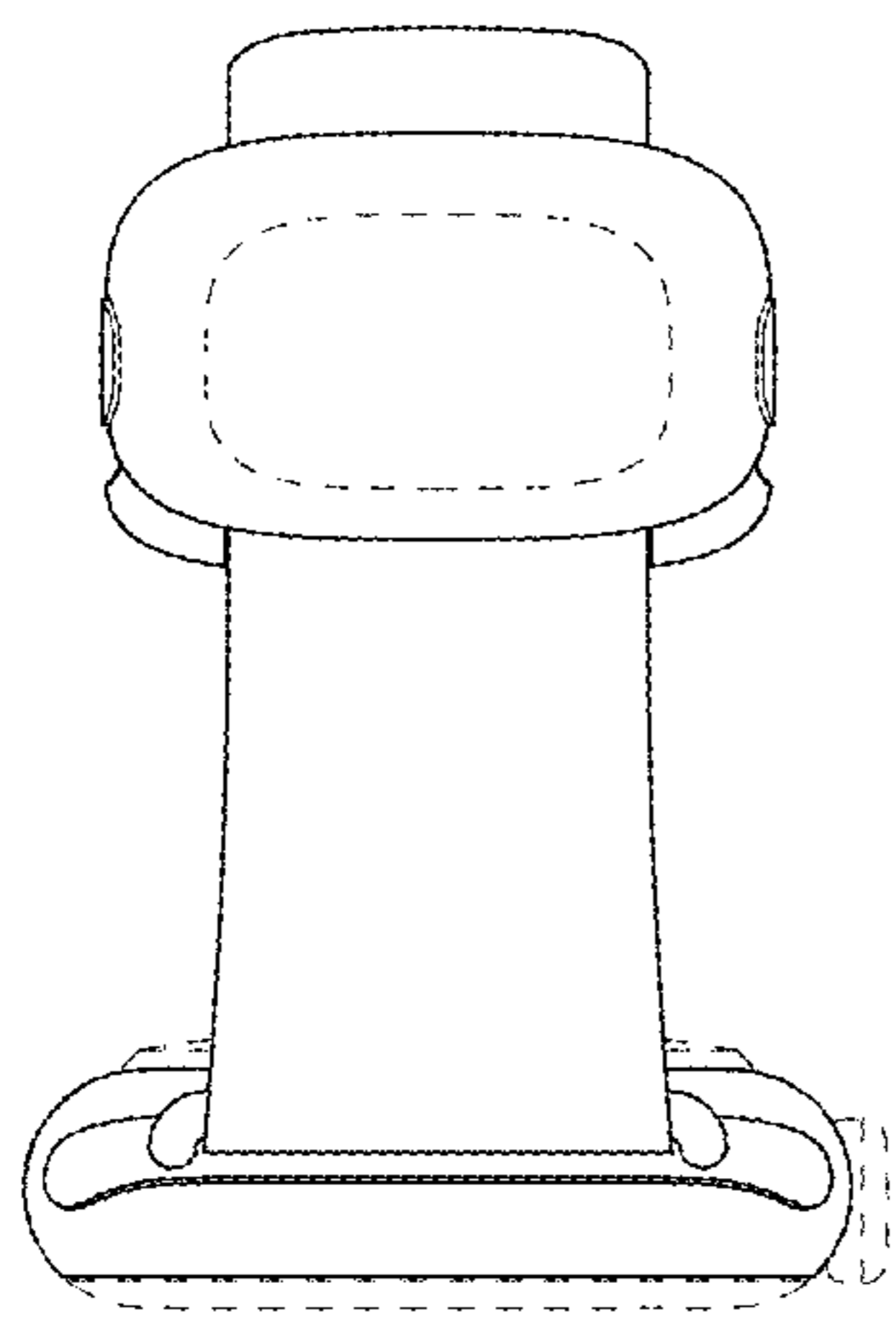


FIG. 5

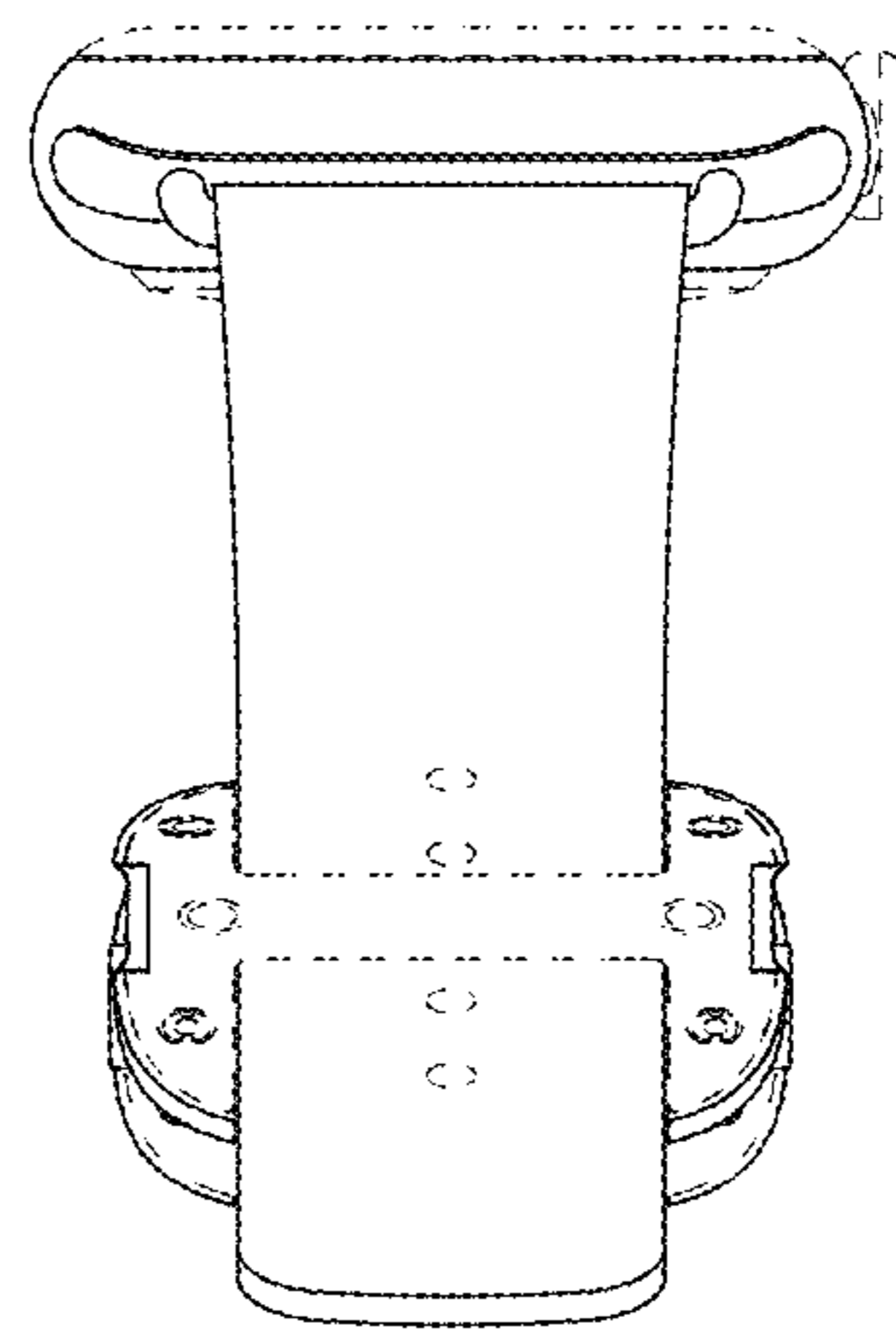


FIG. 6