



US00D771036S

(12) **United States Design Patent** (10) **Patent No.:** **US D771,036 S**
Akana et al. (45) **Date of Patent:** **** Nov. 8, 2016**

(54) **WEARABLE DEVICE**

(71) Applicant: **Apple Inc.**, Cupertino, CA (US)

(72) Inventors: **Jody Akana**, San Francisco, CA (US); **Bartley K. Andre**, Palo Alto, CA (US); **Shota Aoyagi**, San Francisco, CA (US); **Anthony Michael Ashcroft**, San Francisco, CA (US); **Jeremy Bataillou**, San Francisco, CA (US); **Daniel J. Coster**, San Francisco, CA (US); **Daniele De Iuliis**, San Francisco, CA (US); **M. Evans Hankey**, San Francisco, CA (US); **Julian Hoenig**, San Francisco, CA (US); **Richard P. Howarth**, San Francisco, CA (US); **Jonathan P. Ive**, San Francisco, CA (US); **Duncan Robert Kerr**, San Francisco, CA (US); **Marc A. Newson**, London (GB); **Matthew Dean Rohrbach**, San Francisco, CA (US); **Peter Russell-Clarke**, San Francisco, CA (US); **Benjamin Andrew Shaffer**, San Jose, CA (US); **Mikael Silvanto**, San Francisco, CA (US); **Christopher J. Stringer**, Woodside, CA (US); **Eugene Antony Whang**, San Francisco, CA (US); **Rico Zörkendörfer**, San Francisco, CA (US)

(73) Assignee: **Apple Inc.**, Cupertino, CA (US)

(**) Term: **14 Years**

(21) Appl. No.: **29/499,082**

(22) Filed: **Aug. 11, 2014**

(51) **LOC (10) Cl.** **14-02**

(52) **U.S. Cl.**
USPC **D14/344**

(58) **Field of Classification Search**
USPC D14/344, 138 R, 144, 358; D2/623, 626, D2/639, 878; D8/88, 356; D10/30-39, 70, D10/98; D11/3, 87, 93-94, 200, 201, 210, D11/216, 218, 221, 230-231; D24/167, D24/169, 186-187

CPC G06F 1/163; G06F 1/1628; G06F 1/1626; G06F 1/1635; G06F 1/08; G06F 1/10; G06F 1/04; G06F 1/14; G06F 1/3203; A41D 1/002; H04M 1/02; H04M 1/03; H04M 1/04; H04M 1/05; H04M 1/667; H04M 1/6058; Y02B 60/1217; H04B 1/385; H04B 1/3888; H04B 1/3833; A44C 5/00
See application file for complete search history.

(56) **References Cited**

U.S. PATENT DOCUMENTS
2,280,490 A 4/1942 Keltie
2,397,797 A 4/1946 Curto

(Continued)

FOREIGN PATENT DOCUMENTS
DE 19513647 A1 10/1995
DE 10229050 C1 6/2003

(Continued)

OTHER PUBLICATIONS
Google's upcoming smartwatch is an Android project not X Lab, posted Mar. 22, 2013, [retrieved Jul. 22, 2016]. Retrieved from Internet, <URL: <http://www.talkandroid.com/155456-google-upcoming-smartwatch-is-an-android-project-not-x-lab/>>.*

(Continued)

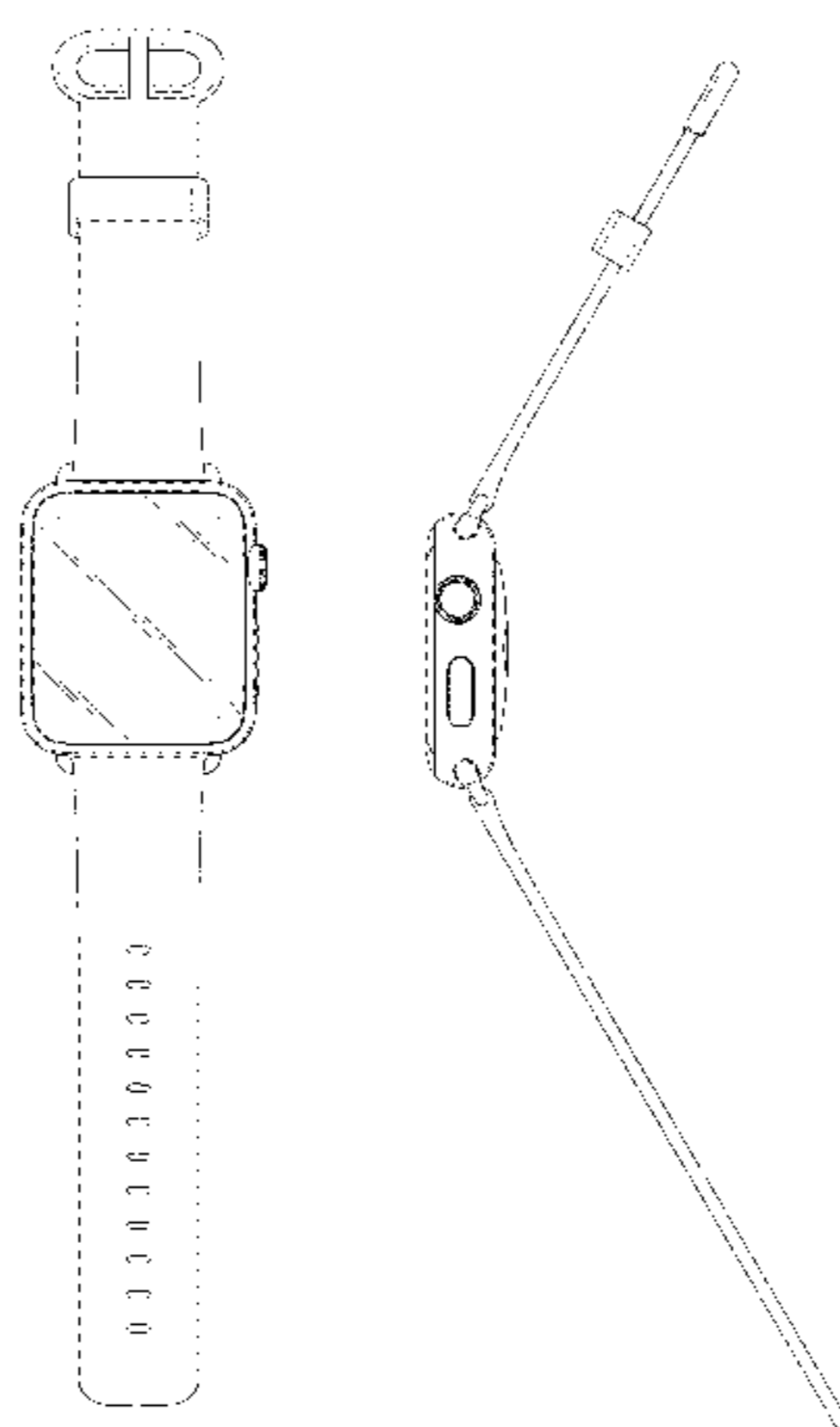
Primary Examiner — Barbara Fox
Assistant Examiner — Kristin E Reed
(74) *Attorney, Agent, or Firm* — Sterne, Kessler, Goldstein & Fox P.L.L.C.

(57) **CLAIM**
The ornamental design for a wearable device, as shown and described.

DESCRIPTION

FIG. 1 is a front view of a wearable device showing our new design;
FIG. 2 is a rear view thereof;
FIG. 3 is a right side view thereof;
FIG. 4 is a left side view thereof;
FIG. 5 is a top view thereof; and,
FIG. 6 is a bottom view thereof.
The oblique shade lines in the Figures show a transparent, reflective, or shiny surface, and not surface ornamentation.

1 Claim, 4 Drawing Sheets



(56)

References Cited

U.S. PATENT DOCUMENTS

3,030,686 A 4/1962 Burkhardt
 3,640,065 A 2/1972 Lederrey et al.
 3,665,565 A 5/1972 Kruger
 3,675,284 A 7/1972 Rieth
 D287,471 S 12/1986 Sato
 D320,356 S 10/1991 Boyer
 5,363,351 A 11/1994 Carney
 5,386,933 A 2/1995 Greene et al.
 5,574,701 A 11/1996 Harilela
 D377,914 S 2/1997 Riley
 D379,327 S 5/1997 Navera
 D379,775 S 6/1997 Gazzola
 D383,985 S 9/1997 Davenport
 D386,980 S 12/1997 Houlihan
 5,886,669 A 3/1999 Kita
 D439,172 S 3/2001 Brzezinski
 D440,901 S 4/2001 Bruce et al.
 6,219,303 B1 4/2001 Morohoshi et al.
 D441,680 S 5/2001 Bruce et al.
 6,238,083 B1 5/2001 Hirano et al.
 D473,818 S 4/2003 Salvisberg
 6,655,831 B1 12/2003 Ruffieux
 D494,098 S 8/2004 Cohen
 D496,589 S 9/2004 Perrenoud
 6,801,476 B2 10/2004 Gilmour
 6,970,157 B2 11/2005 Siddeeq
 D513,195 S 12/2005 Gruosi
 7,004,469 B2 2/2006 Von Goeben
 D528,439 S 9/2006 Burton
 D528,928 S 9/2006 Burton
 7,106,197 B2 9/2006 Gaiotto et al.
 7,275,667 B2 10/2007 Bertucci
 D558,227 S 12/2007 Cho et al.
 D564,904 S 3/2008 Leung
 D572,266 S 7/2008 Anderson et al.
 D574,735 S 8/2008 Landman et al.
 D578,922 S 10/2008 Hoshino
 D584,170 S 1/2009 Morrison
 D586,823 S 2/2009 Anderson et al.
 D589,375 S 3/2009 Tang
 D596,610 S 7/2009 Hou
 D616,417 S 5/2010 Liao
 7,708,457 B2 5/2010 Girardin et al.
 D622,164 S 8/2010 Mikkelsen
 D631,373 S 1/2011 Mikkelsen
 D637,094 S 5/2011 Cobbett et al.
 D637,918 S 5/2011 Cobbett et al.
 D650,706 S 12/2011 Zanella et al.
 D666,503 S 9/2012 Bulgari
 D681,483 S 5/2013 Biegert et al.
 8,601,784 B2 12/2013 Kaltenrieder
 8,613,544 B2 12/2013 Kitahara et al.
 D699,701 S 2/2014 Kim
 D715,674 S 10/2014 Squires
 D719,123 S 12/2014 Park et al.
 D719,467 S 12/2014 Bradbury
 D720,249 S 12/2014 Park et al.
 D724,469 S * 3/2015 Akana D11/3
 D724,556 S * 3/2015 Choi D10/32
 D727,198 S * 4/2015 Akana D11/3
 D728,624 S * 5/2015 Akana D14/496
 D729,237 S * 5/2015 Fagnot D14/344
 D729,654 S * 5/2015 Nuovo D10/103
 D729,670 S 5/2015 Nuovo et al.
 D732,416 S * 6/2015 Akana D11/3
 D737,159 S * 8/2015 Akana D10/32
 D740,693 S * 10/2015 Carmichael D10/32
 D741,726 S * 10/2015 Akana D10/30
 D750,524 S * 3/2016 Akana D11/3
 D756,357 S * 5/2016 Akana D10/30
 D756,824 S * 5/2016 Akana D10/103
 D757,819 S * 5/2016 Akana D14/496
 D759,011 S * 6/2016 Akana D14/344
 D759,121 S * 6/2016 Akana D14/203.7
 D759,725 S * 6/2016 Akana D14/496

2001/0017663 A1 8/2001 Yamaguchi et al.
 2002/0051075 A1 5/2002 Yamaguchi et al.
 2010/0061191 A1 3/2010 Chen
 2014/0096345 A1 4/2014 Tschumi
 2014/0098649 A1 4/2014 Tschumi
 2016/0062392 A1* 3/2016 Townsend G06F 1/163
 361/679.03
 2016/0062405 A1* 3/2016 Mylvaganam B23K 26/364
 361/679.03

FOREIGN PATENT DOCUMENTS

EM 001359301-0002 6/2013
 EP 1098231 A1 5/2001
 EP 001109706-0025 5/2009
 EP 2636328 A1 9/2013
 GB 618917 A 3/1949
 GB 1056574 8/1989
 GB 2047767 9/1995
 GB 2049316 12/1995
 GB 2082277 6/1999
 HK 0501949.8 12/2005
 HK 1001605.7 12/2010
 JP D1423962 9/2001
 JP D1126907 11/2001
 JP D1337795 8/2008
 JP D1433115 2/2012
 JP D1448029 8/2012
 JP D1462747 2/2013
 WO DM/012262-001 1/1989
 WO DM/049450-002 12/1999
 WO DM/077452-004 6/2001
 WO DM/066491-004 3/2005
 WO DM/072215 9/2009
 WO DM/079044-003 9/2012
 WO 2013182397 A1 12/2013
 WO 2014135709 A2 9/2014

OTHER PUBLICATIONS

Omate Smartwatch Launches On Kickstarter Offering A Wealth Of Features, posted Aug. 22, 2013, [retrieved Jul. 22, 2016]. Retrieved from Internet, <URL: <http://www.geeky-gadgets.com/omate-smartwatch-launches-on-kickstarter-offering-a-wealth-of-features-video-22-08-2013/>>.*
 Alvarez, Edgar, "Basis Peak to get its smartwatch-like features in December," engadget.com, <<http://www.engadget.com/2014/11/20/basis-peak-new-features/>>, dated Nov. 20, 2014, accessed Dec. 15, 2014.
 Cool Material, "Braun Square Digital Watch," <<http://web.archive.org/web/20111125033014/http://coolmaterial.com/style/braun-square-digital-watch/>>, dated Nov. 25, 2011, accessed Dec. 18, 2014.
 Emily, "Nixon—The Newton Digital," <<http://www.freshnessmag.com/2009/09/08/nixon-the-newton-digital/>>, freshnessmag.com, dated Sep. 8, 2009, accessed Oct. 9, 2014.
 etsy.com, "1 Set Silver End Cap Clasp—Findings Large Toggle Clasp End Caps Buckle Connector with Five Inside Loops for Jewelry Making 26mm," <<http://www.etsy.com/listing/101269004/1-set-silver-end-cap-clasp-findings?ref=market>>, Listed on Aug. 29, 2014, accessed Oct. 9, 2014.
 "Field Ops Watch Band Kit" <<http://www.511tactical.com/field-ops-watch-band-kit.html>>, accessed Nov. 25, 2014.
 Fitbit, "Fitbit Surge™ Fitness Super Watch" <<https://www.fitbit.com/surge>>, accessed Dec. 15, 2014.
 geekbuying.com, "Makibes unisex red led digital wrist watch with square case silicone watchband—white," <<http://www.geekbuying.com/item/Unisex-Red-LED-Digital-Wrist-Watch-with-Square-Case-Silicone-Watchband---White-326443.html>>, accessed Oct. 9, 2014.
 Hiemstra, Graham, "Worn & Wound Model 1 Horween Watch Strap," <<http://www.coolhunting.com/style/worn-wound-model-1-horween-watch-strap>>, dated Aug. 27, 2013, accessed Nov. 25, 2014.

(56)

References Cited

OTHER PUBLICATIONS

Hilbourne, Jason, "Wide Body: straps for Pebble," <<https://www.kickstarter.com/projects/1171859847/wide-body-straps-for-pebble>>, Listed Apr. 2, 2013, accessed Nov. 25, 2014.

Hodinkee.com, "Apple iPod Nano Now Available With Mickey Mouse Dial, Also Cheesy, Mechanically Inaccurate Open-Worked Dial," <<http://web.archive.org/web/20111006043916/http://www.hodinkee.com/blog/2011/10/5/apple-ipod-nano-now-available-with-mickey-mouse-dial-also-ch.html>>, dated Oct. 6, 2011, accessed Dec. 18, 2014.

Homego, "M6 Silver Smart Watch Cell Phone 1.54 inch Bluetooth 3.0 Dialer Outdoor Sports Pedometer," amazon.com, <<http://www.amazon.com/Silver-Bluetooth-Dialer-Outdoor-Pedometer/dp/B00MQTBGK6>>, accessed Dec. 15, 2014.

Ikepod, "Original Ikepod Watch With GMT—Marc Newson Design," Watchbox.be, <<http://www.watchbox.be/prod/Others-Watches/Marc%20Newson%20Design/item7165.htm#>>, accessed Dec. 17, 2014.

VJLm2fAo5D8>, accessed Dec. 17, 2014.

LG Life's Good, "LG G Watch (W100)," <<http://www.lg.com/us/smart-watches/lg-W100-g-watch>>, accessed Dec. 18, 2014.

Metawatch, "Frame—Black (MW3005)," <<http://meta.watch/collections/smartwatch-all/products/frame-ss-black-leather>>, accessed Dec. 15, 2014.

Omate, "Omate TrueSmart: Water-resistant standalone Smartwatch 2.0," <<http://www.kickstarter.com/projects/omate/omate-truesmart-water-resistant-standalone-smartwa>>, dated Aug. 21, 2013, accessed Oct. 8, 2014.

Omate, "The TrueSmart™ is the world's first standalone smartwatch 2.0 running on top of Android and OUI 2.0," <<http://www.omate.com/product.html>>, accessed Dec. 15, 2014.

Pebble, "Pebble Smartwatch," getpebble.com, <<https://getpebble.com/checkout>>, accessed Dec. 15, 2014.

Samsung, "Samsung Gear™ 2 Charcoal Black SM-R3800VSAXAR," <<http://www.samsung.com/us/mobile/wearable-tech/SM-R3800VSAXAR>>, accessed Dec. 15, 2014.

Samsung, "Samsung Gear S™, (Sprint), Black SM-R750PZKASPR," <<http://www.samsung.com/us/mobile/wearable-tech/SM-R750PZKASPR>>, accessed Dec. 15, 2014.

Samsung, "Galaxy Gear™ Live, Black SM-R3820ZKAXAR," <<http://www.samsung.com/us/mobile/wearable-tech/SM-R3820ZKAXAR>>, accessed Dec. 15, 2014.

Sony, "SmartWatch 3 SWR50," <<http://www.sonymobile.com/us/products/smartwear/smartwatch-3-swr50/>>, accessed Dec. 15, 2014.

Sony, "SmartWatch," <<http://www.sonymobile.com/us/products/accessories/smartwatch/>>, accessed Dec. 15, 2014.

Stables, James, "Clevercare smartwatch aims to help Alzheimer's suffers and carers: Revamped Sony SmartWatch 2 designed for users that need care," Wearable News, <<http://www.wearable.com/wearable-tech/clevercare-smartwatch-aims-to-help-alzheimers-suffers-and-carers-585>>, dated Dec. 15, 2014.

Team Luxe, "Collector's Edition: Hermes Carre H Watch," Luxpresso, <<http://luxpresso.com/news-couture/collectors-edition-hermes-carre-h-watch/2814>>, dated Jan., 10, 2011, accessed Dec. 18, 2014.

Ted Baker, "Ted Baker Men's TE1054 Time Flies Contemporary Square Digital Case Watch," <<http://www.amazon.com/Ted-Baker-TE1054-Contemporary-Digital/dp/B0045CRTYO%3FSub-descriptionId%3DAKIAJ3U4YRIBWCGGKZ2A%26tag%3D-frases365-20%26linkCode%3Dsp1%26camp-%3D2025%26creative%3D165953%26creativeASIN%3DB004-5CRTYO>>, accessed Oct. 9, 2014.

"Timex Men's Q7B808 Ironman Triathlon 30-Lap Resin 16mm Replacement Watchband" <[man-Triathlon-Replacement-Watchband/dp/B003OPZ5D0/ref=sr_1_1?s=apparel&ie=UTF8&qid=1416701895&sr=1-1&keywords=Timex+Men%27s+Q7B808+Ironman+Triathlon+30-Lap+Resin+16mm+Replacement+Watchband>, accessed Nov. 25, 2014.

Velazco, Chris, "ASUS ZenWatch review: subtle and stylish, with a few shortcomings," Engadget.com, <<http://www.engadget.com/2014/12/11/asus-zenwatch-review/>>, dated Dec. 11, 2014, accessed Dec. 15, 2014.

Watches Infoniac.com, "Hermes Carre H Watch—Extremely Contemporary Design," <<http://watches.infoniac.com/carre-h-watch-hermes.html>>, dated Aug. 13, 2010, accessed Dec. 18, 2014.

Watchismo, "Braun BN0042 Black Date Leather," <<http://web.archive.org/web/20130815073830/http://www.watchismo.com/braun-bn0042bkbk.aspx>>, dated Aug. 15, 2013, accessed Dec. 18, 2014.

\[Online\] \[http://a.abcnews.com/images/Business/HT_gold_apple_iwatch_jef_140909_4x3_992.jpg\]\(http://a.abcnews.com/images/Business/HT_gold_apple_iwatch_jef_140909_4x3_992.jpg\), Retrieved on Feb. 4, 2015, 1 Page.

WatchCat Online Shopping Mall, "PJS Seiko," <\[http://m.watchcat.co.kr/board/product/read.html?board_no=4&no=27504\]\(http://m.watchcat.co.kr/board/product/read.html?board_no=4&no=27504\)>, dated Oct. 26, 2012, accessed Oct. 8, 2015.

WatchCat Online Shopping Mall, "PVD Zulu style Military Nylon band/strap," \[http://www.watchcat.kr/product/detail.html?product_no=5162&cate_no=642&display_group=1\]\(http://www.watchcat.kr/product/detail.html?product_no=5162&cate_no=642&display_group=1\)>, dated 2010, accessed Oct. 8, 2015.

Design U.S. Appl. No. 29/498,987, filed Aug. 11, 2014.

Design U.S. Appl. No. 29/498,990, filed Aug. 11, 2014.

Design U.S. Appl. No. 29/498,995, filed Aug. 11, 2014.

Design U.S. Appl. No. 29/498,996, filed Aug. 11, 2014.

Design U.S. Appl. No. 29/498,997, filed Aug. 11, 2014.

Design U.S. Appl. No. 29/499,042, filed Aug. 11, 2014.

Design U.S. Appl. No. 29/499,052, filed Aug. 11, 2014.

Design U.S. Appl. No. 29/499,061, filed Aug. 11, 2014.

Design U.S. Appl. No. 29/499,067, filed Aug. 11, 2014.

Design U.S. Appl. No. 29/499,068, filed Aug. 11, 2014.

Design U.S. Appl. No. 29/499,069, filed Aug. 11, 2014.

Design U.S. Appl. No. 29/499,071, filed Aug. 11, 2014.

Design U.S. Appl. No. 29/499,075, filed Aug. 11, 2014.

Design U.S. Appl. No. 29/499,080, filed Aug. 11, 2014.

Design U.S. Appl. No. 29/499,081, filed Aug. 11, 2014.

Design U.S. Appl. No. 29/499,084, filed Aug. 11, 2014.

Design U.S. Appl. No. 29/499,087, filed Aug. 11, 2014.

Design U.S. Appl. No. 29/499,088, filed Aug. 11, 2014.

Design U.S. Appl. No. 29/499,089, filed Aug. 11, 2014.

Design U.S. Appl. No. 29/499,090, filed Aug. 11, 2014.

Design U.S. Appl. No. 29/499,091, filed Aug. 11, 2014.

Design U.S. Appl. No. 29/501,059, filed Aug. 29, 2014.

Design U.S. Appl. No. 29/501,152, filed Sep. 2, 2014.

Design U.S. Appl. No. 29/501,624, filed Sep. 5, 2014.

Design U.S. Appl. No. 29/501,720, filed Sep. 8, 2014.

Design U.S. Appl. No. 29/501,722, filed Sep. 8, 2014.

Design U.S. Appl. No. 29/501,723, filed Sep. 8, 2014.

Design U.S. Appl. No. 29/501,733, filed Sep. 8, 2014.

Design U.S. Appl. No. 29/501,737, filed Sep. 8, 2014.

Design U.S. Appl. No. 29/501,746, filed Sep. 8, 2014.

Design U.S. Appl. No. 29/501,752, filed Sep. 8, 2014.

Design U.S. Appl. No. 29/501,759, filed Sep. 8, 2014.

Design U.S. Appl. No. 29/501,760, filed Sep. 8, 2014.

Design U.S. Appl. No. 29/501,763, filed Sep. 8, 2014.

Design U.S. Appl. No. 29/501,766, filed Sep. 8, 2014.

Design U.S. Appl. No. 29/501,770, filed Sep. 8, 2014.

Design U.S. Appl. No. 29/501,772, filed Sep. 8, 2014.

Design U.S. Appl. No. 29/501,775, filed Sep. 8, 2014.

Design U.S. Appl. No. 29/510,041, filed Nov. 24, 2014.](http://www.amazon.com/Timex-Iron-</p>
</div>
<div data-bbox=)

* cited by examiner

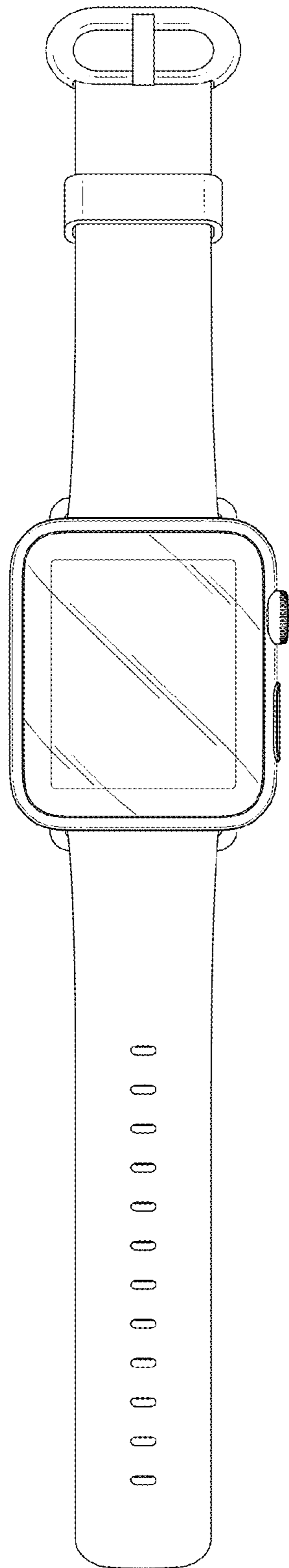


FIG. 1

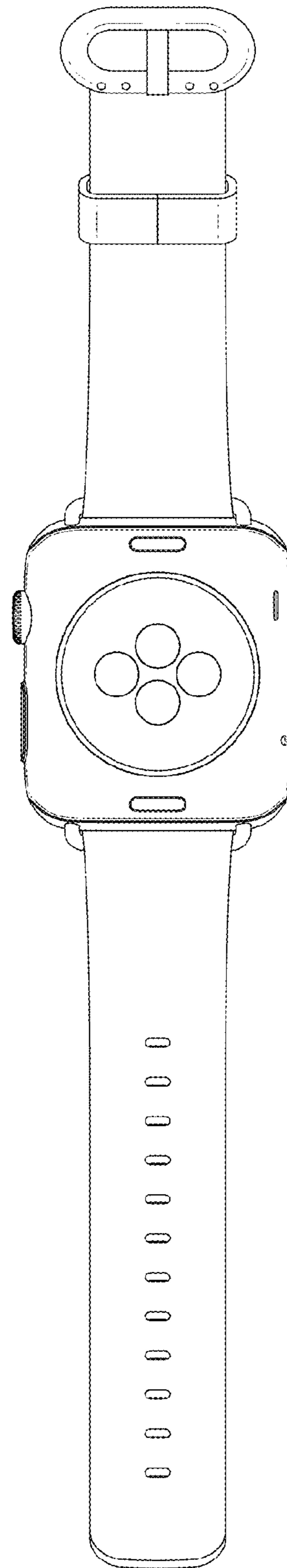


FIG. 2

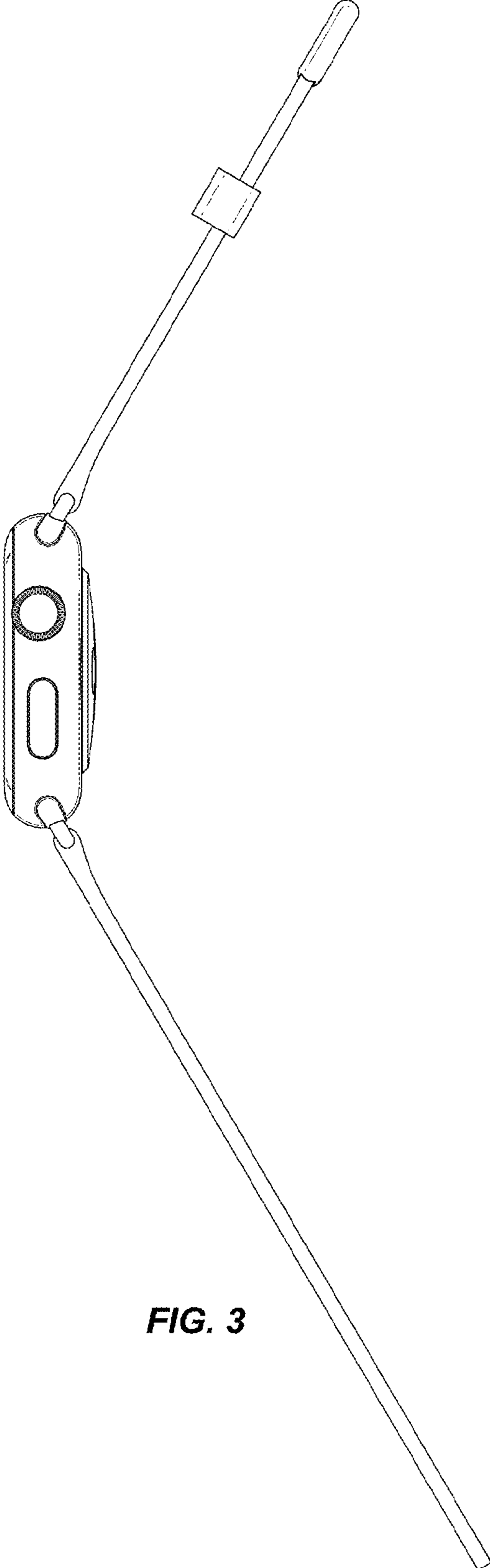


FIG. 3

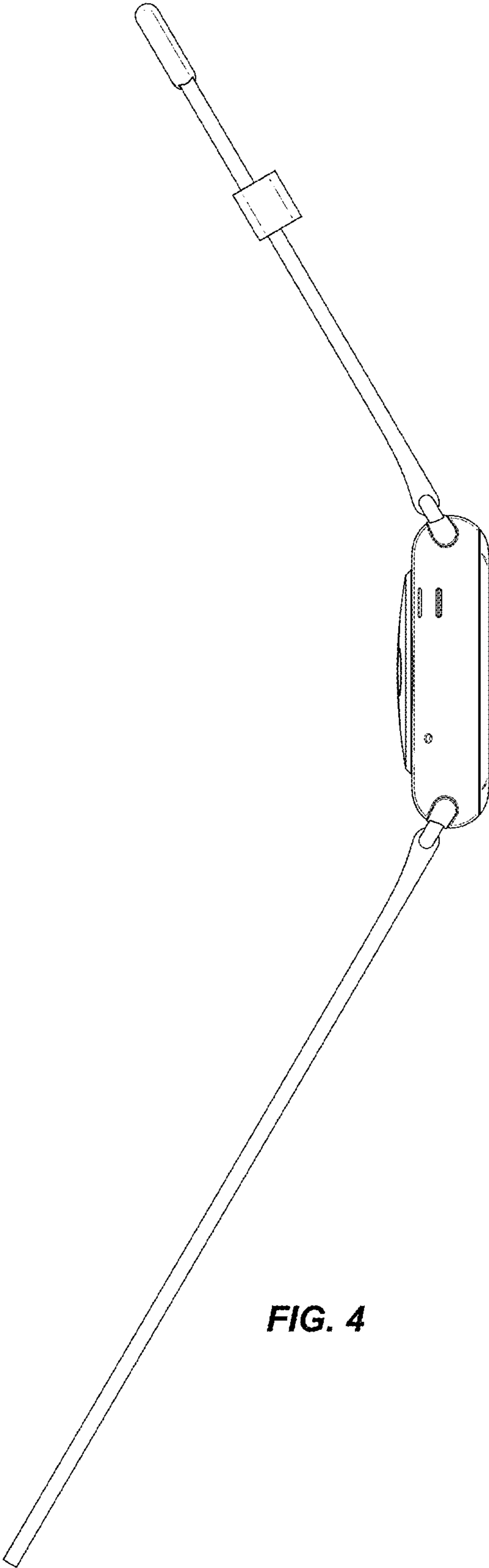


FIG. 4

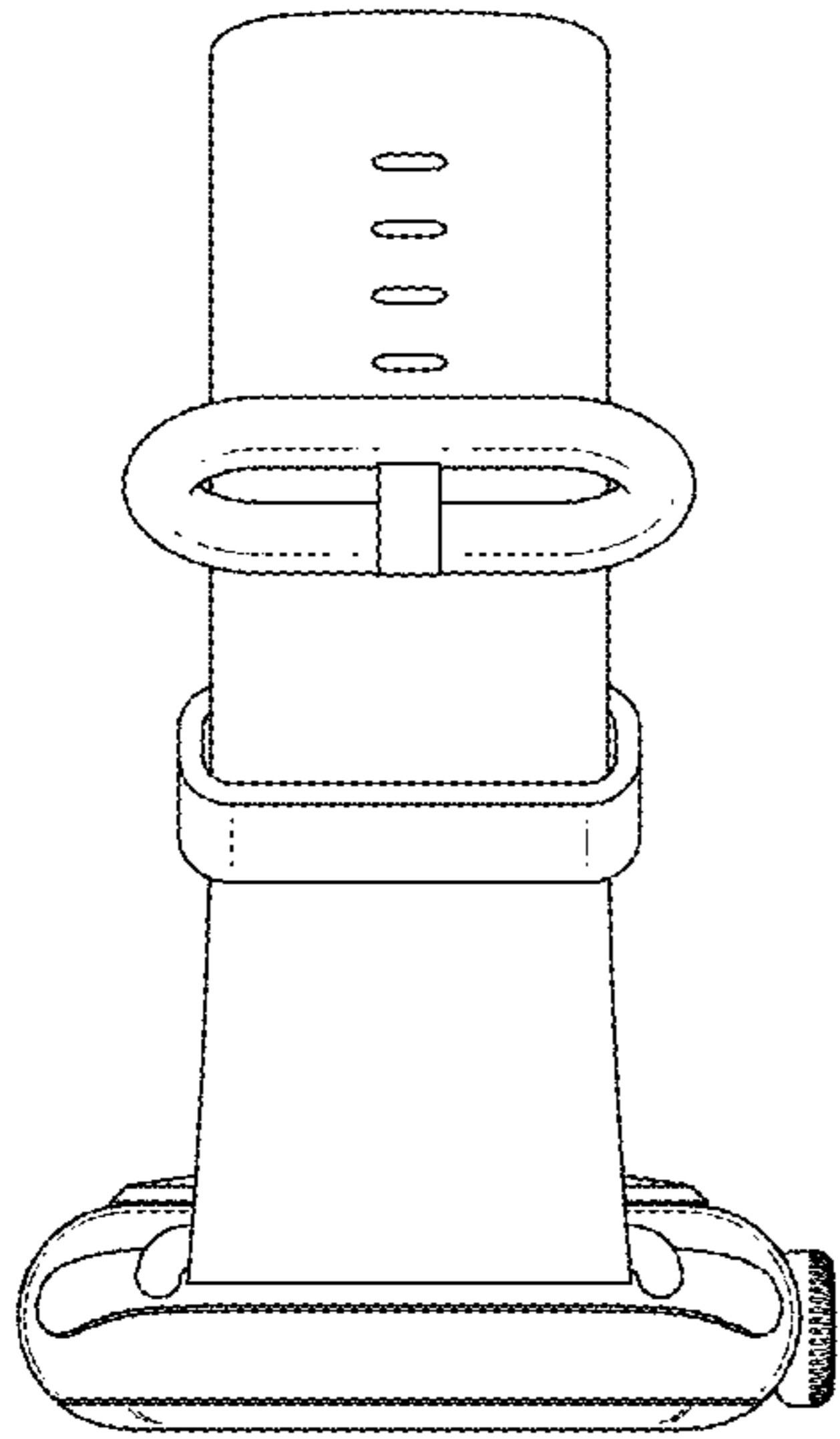


FIG. 5

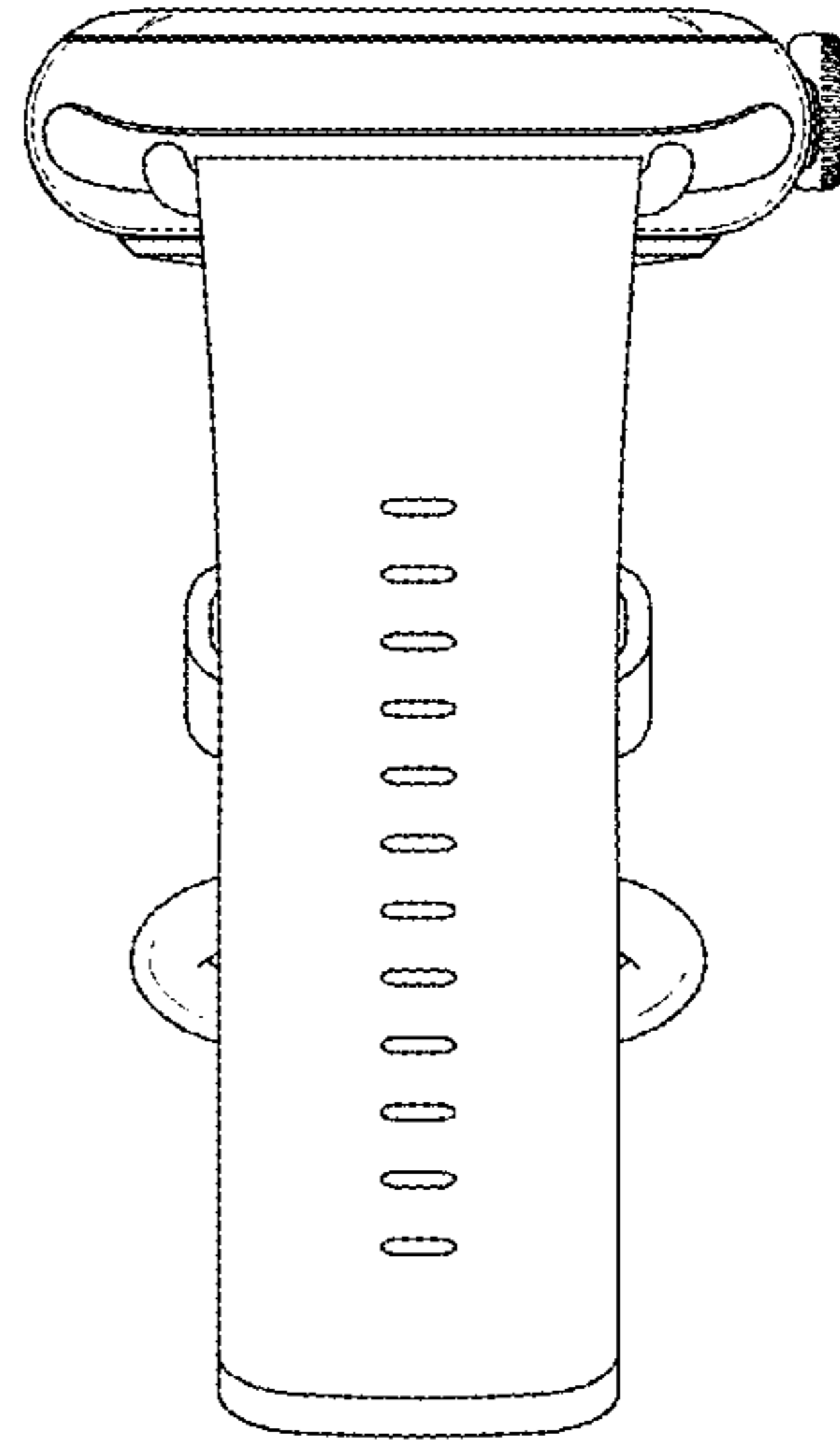


FIG. 6