



US00D771031S

(12) **United States Design Patent**
Ou et al.

(10) **Patent No.:** **US D771,031 S**
(45) **Date of Patent:** **** Nov. 8, 2016**

(54) **HOLDER FOR PORTABLE ELECTRONIC DEVICE**

(71) Applicant: **HTC Corporation**, Taoyuan, Taoyuan County (TW)

(72) Inventors: **Shih-Hsun Ou**, Taoyuan (TW);
Jung-Cheng Su, Taoyuan (TW);
Jen-Yang Chang, Taoyuan (TW)

(73) Assignee: **HTC Corporation**, Taoyuan (TW)

(**) Term: **14 Years**

(21) Appl. No.: **29/504,317**

(22) Filed: **Oct. 3, 2014**

(51) **LOC (10) Cl.** **14-03**

(52) **U.S. Cl.**
USPC **D14/253**

(58) **Field of Classification Search**
USPC D14/225, 217, 496, 253
CPC H04W 4/00; H04R 1/00
See application file for complete search history.

(56) **References Cited**

U.S. PATENT DOCUMENTS

D737,252 S * 8/2015 Fereday D14/225
D738,873 S * 9/2015 Kim D14/253

D739,853 S * 9/2015 Lee D14/253
D750,060 S * 2/2016 Brassard D14/253
2012/0223196 A1* 9/2012 Musselman B60R 11/02
248/220.21
2014/0176062 A1* 6/2014 Jung B60R 11/02
320/108

* cited by examiner

Primary Examiner — Cynthia Underwood

(74) *Attorney, Agent, or Firm* — Birch, Stewart, Kolasch & Birch, LLP

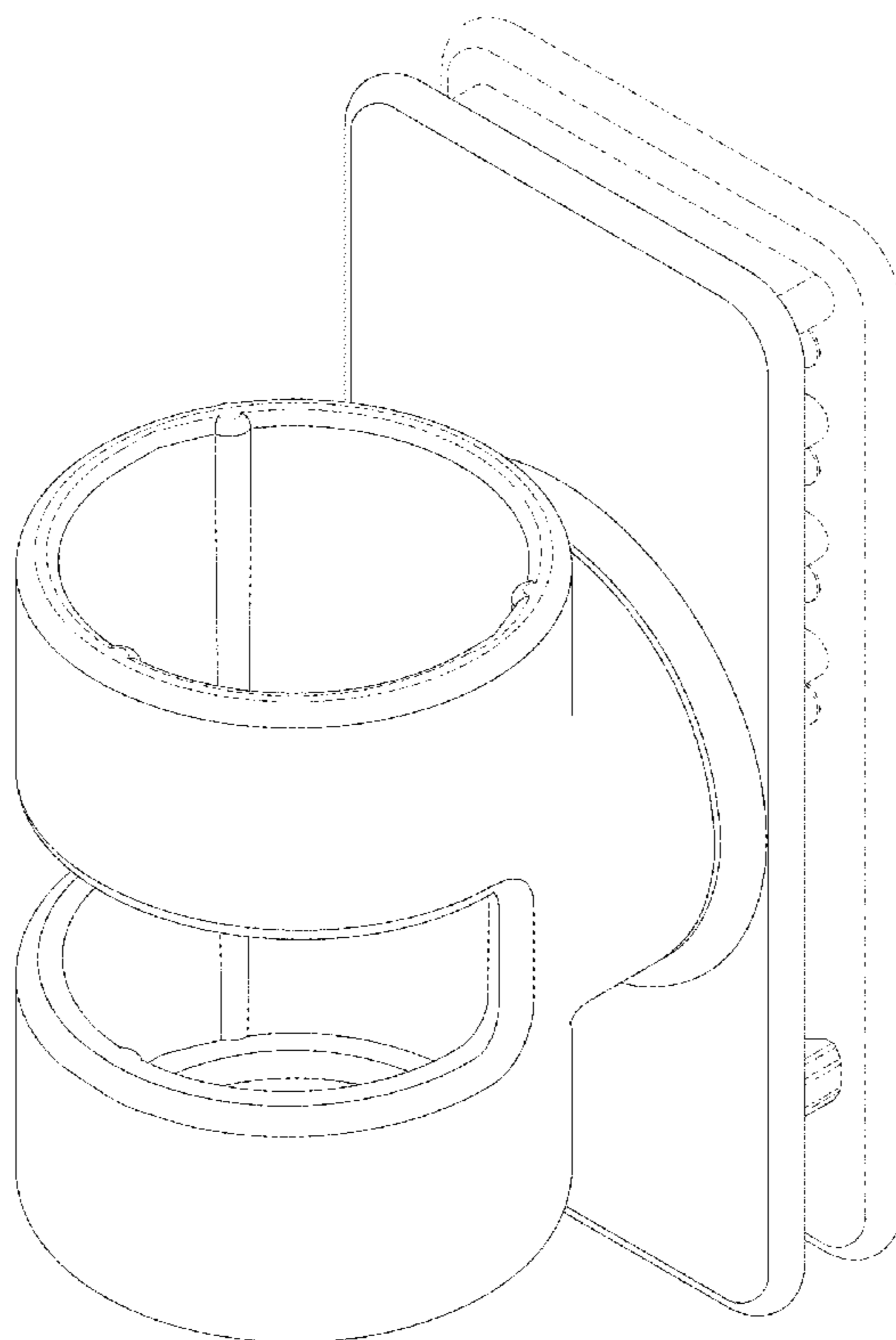
(57) **CLAIM**

The ornamental design for holder for portable electronic device, as shown and described.

DESCRIPTION

FIG. 1 is a front perspective view of a holder for portable electronic device in accordance with our new design;
FIG. 2 is a front view thereof;
FIG. 3 is a rear view thereof;
FIG. 4 is a left side view thereof;
FIG. 5 is a right side view thereof;
FIG. 6 is a top plan view thereof;
FIG. 7 is a bottom plan view thereof; and,
FIG. 8 is a rear perspective view thereof.
The broken lines represent portions of the structure that form no part of the claim.

1 Claim, 8 Drawing Sheets



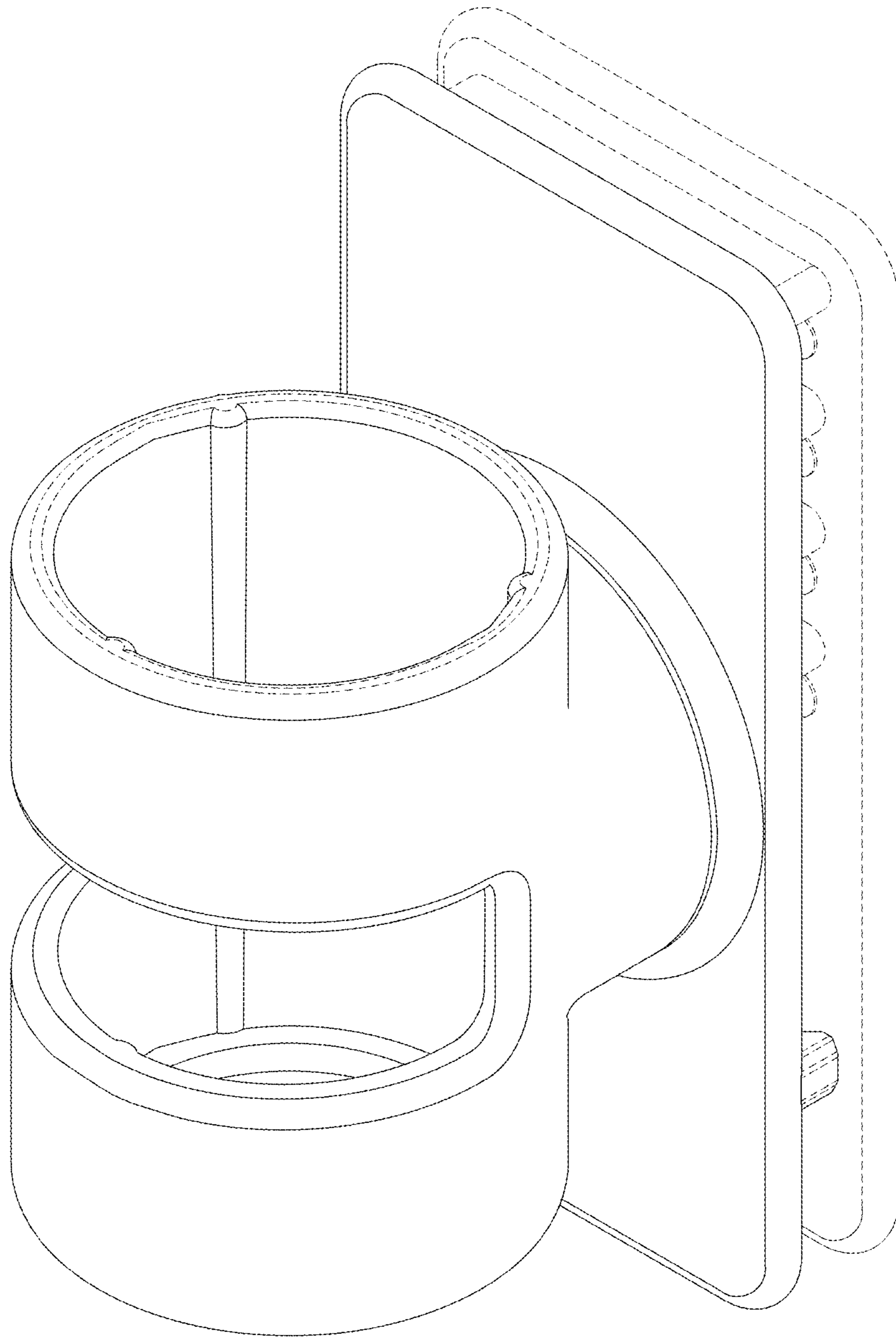


FIG. 1

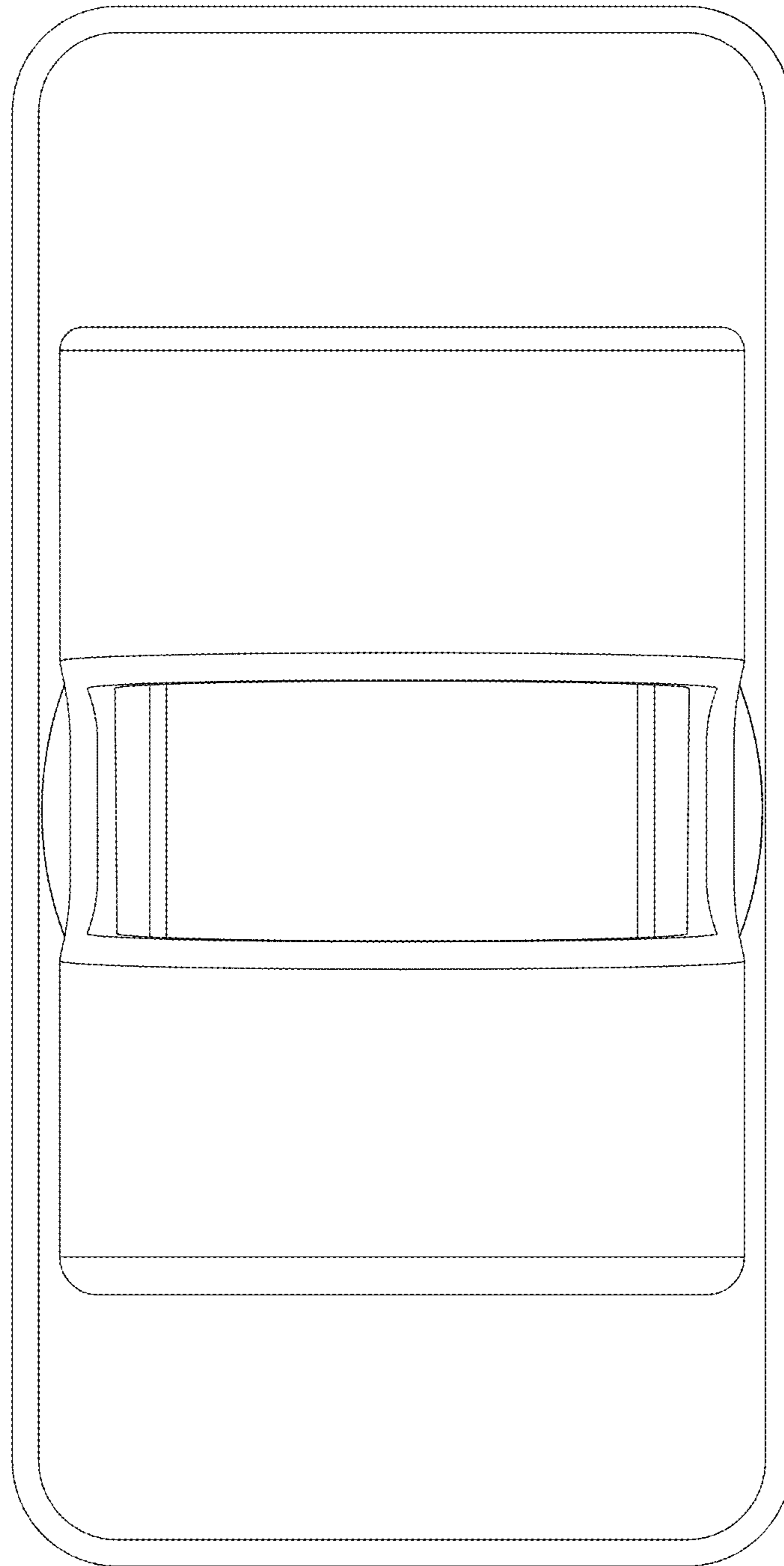


FIG. 2



FIG. 3

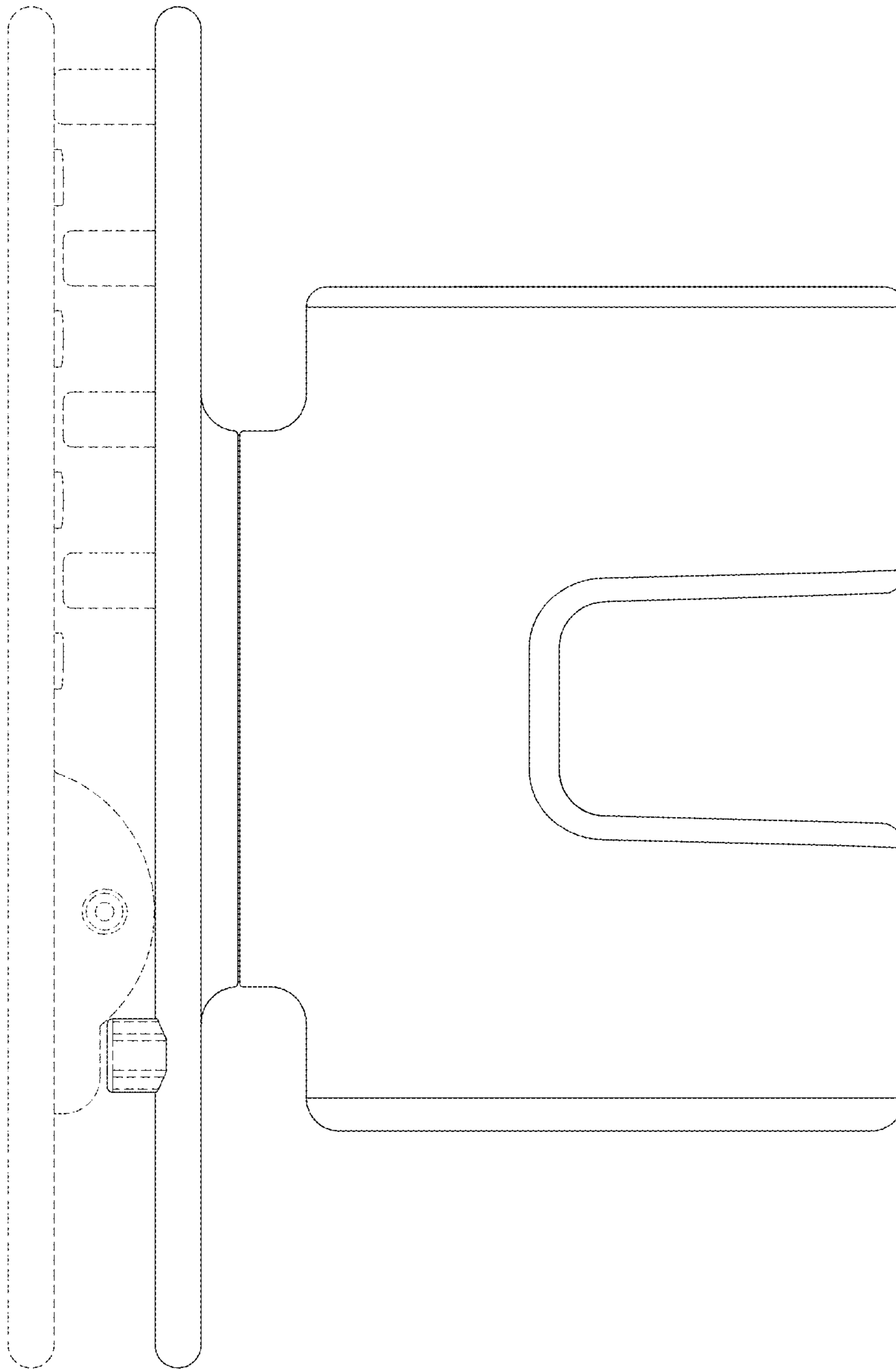


FIG. 4

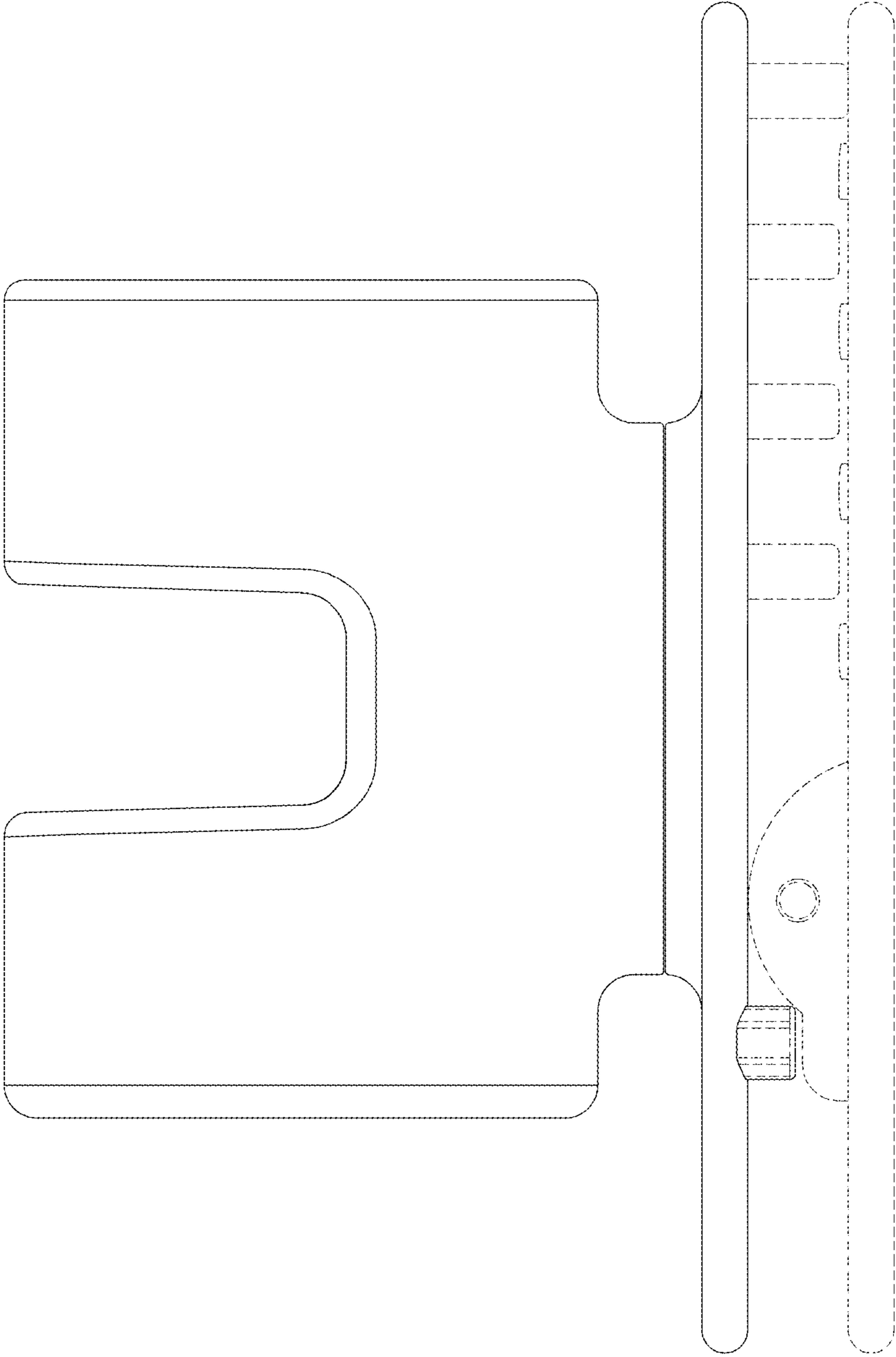


FIG. 5

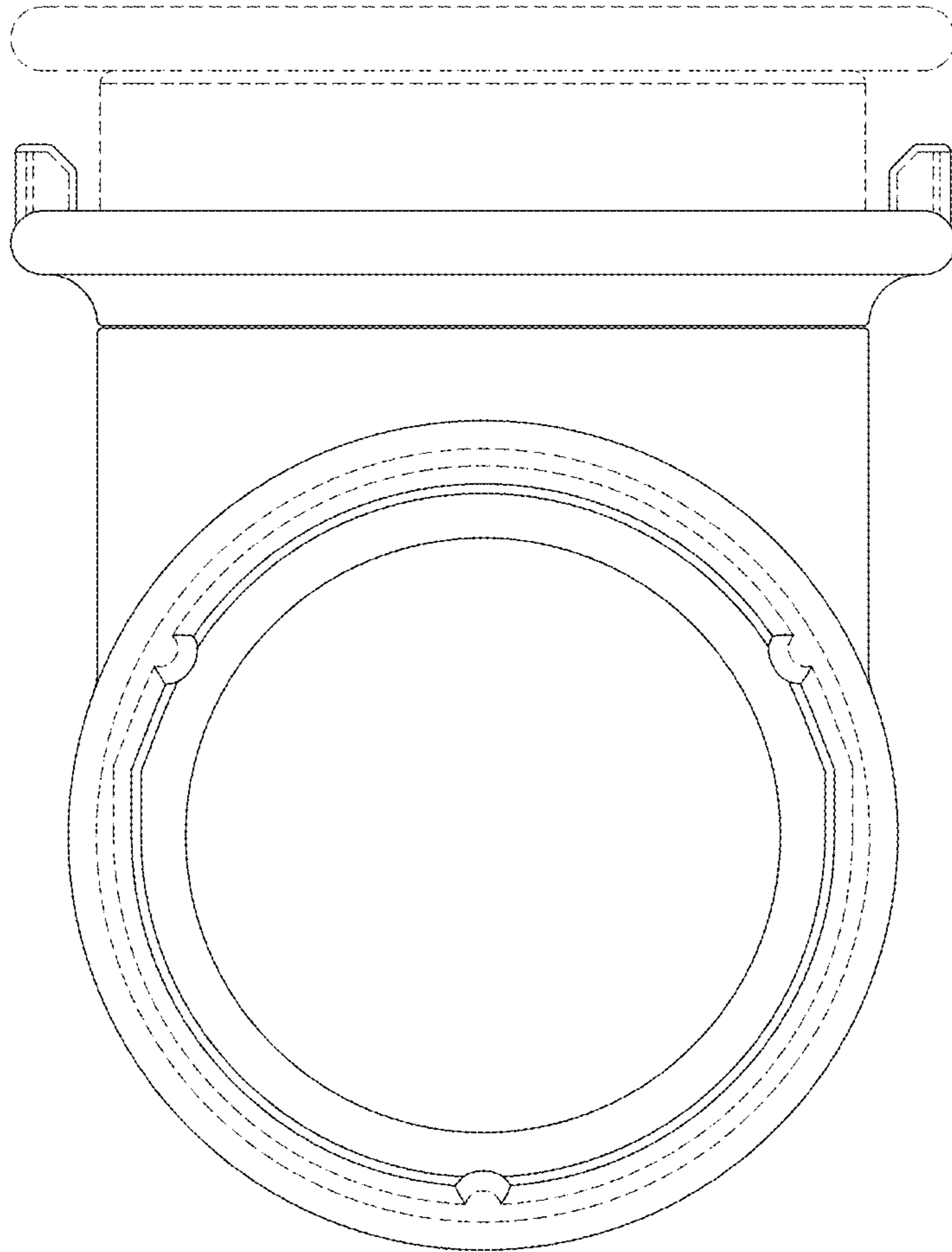


FIG. 6

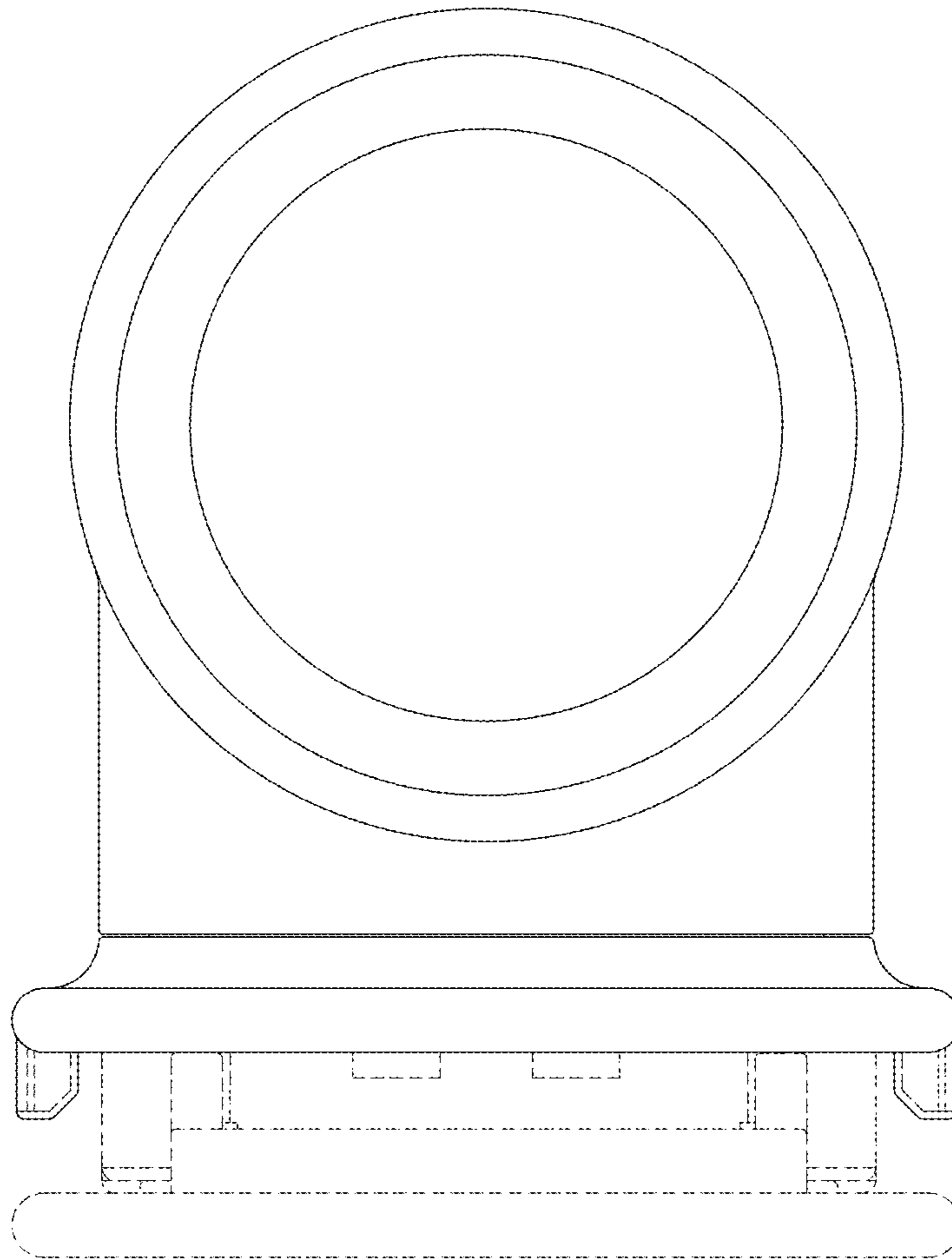


FIG. 7

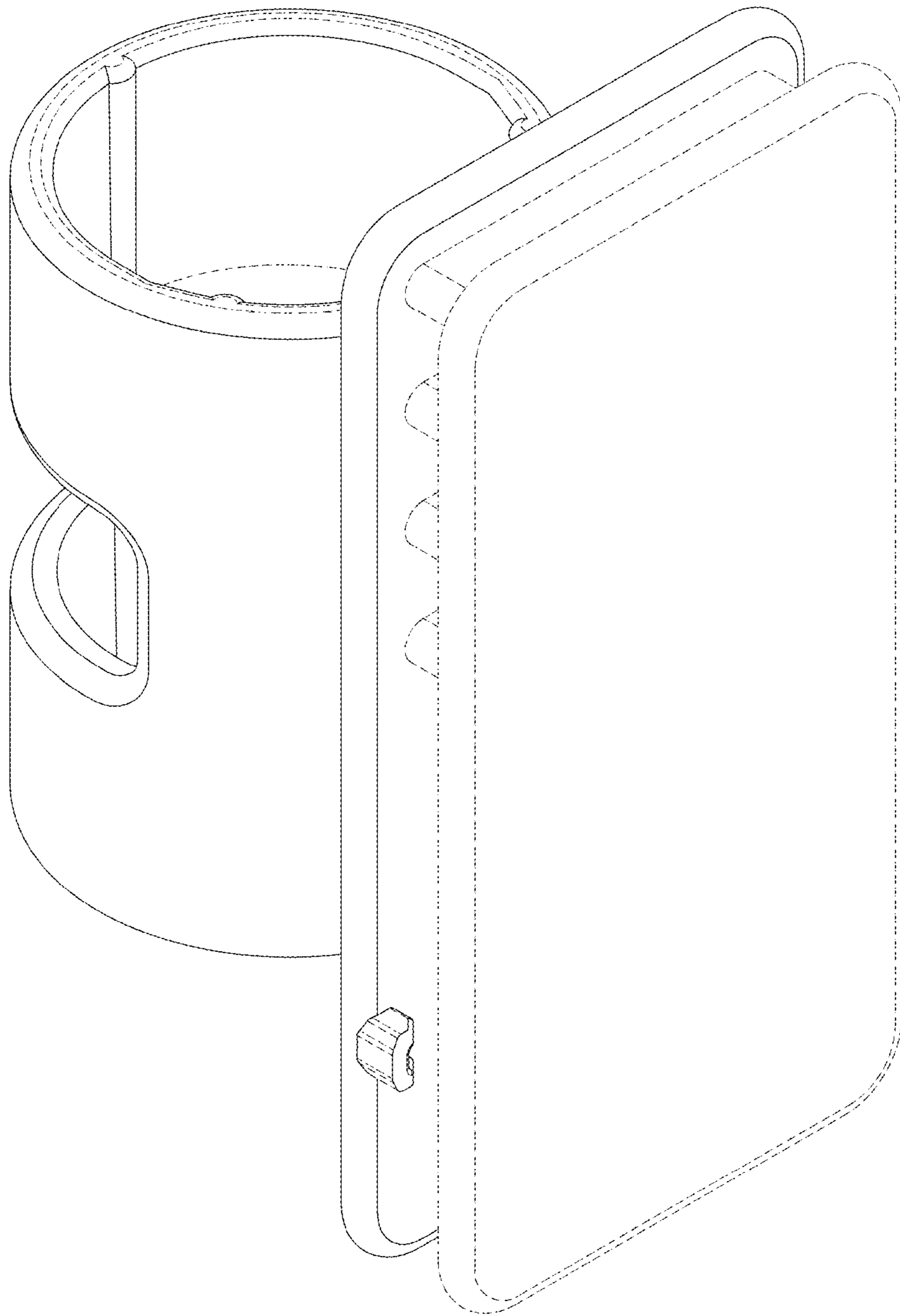


FIG. 8