



US00D771028S

(12) **United States Design Patent** (10) **Patent No.:** **US D771,028 S**
Kim (45) **Date of Patent:** **** Nov. 8, 2016**

(54) **CASE FOR ELECTRONIC DEVICE**

(71) Applicant: **Dae-Young Kim**, Seoul (KR)

(72) Inventor: **Dae-Young Kim**, Seoul (KR)

(**) Term: **14 Years**

(21) Appl. No.: **29/497,977**

(22) Filed: **Jul. 30, 2014**

(51) **LOC (10) Cl.** **14-03**

(52) **U.S. Cl.**
USPC **D14/250**

(58) **Field of Classification Search**

USPC D14/250-253, 440, 203.3-203.7, 217, D14/496, 248, 238.1, 240, 447, 230, 247, D14/341, 345, 346, 439; D3/201, 218, 269, D3/301, 273, 303; D13/103, 107-108; 220/4.02; 248/309.1; 361/679.56; 379/426, 433.11, 455; 455/575.1, 455/575.8; 190/100; 206/305, 320
CPC A45C 2011/002; A45C 11/00; A45C 13/002; A45C 2011/003; H04M 1/0283; H04M 1/0202; H04M 1/185; H04B 1/3888
See application file for complete search history.

(56) **References Cited**

U.S. PATENT DOCUMENTS

D625,303 S	*	10/2010	Kim	D14/250
D657,782 S	*	4/2012	Biller	D14/250
D679,271 S	*	4/2013	Liu	D13/103
D689,852 S	*	9/2013	Azoulay	D14/250
D703,652 S	*	4/2014	Melanson	D14/250
D703,655 S	*	4/2014	Melanson	D14/250
D706,254 S	*	6/2014	Chang	D14/217
D736,205 S	*	8/2015	Park	D14/138 R
D739,391 S	*	9/2015	Chen	D14/248
D741,279 S	*	10/2015	Tai	D14/138 G

OTHER PUBLICATIONS

Spigen Tough Armor Case for iPhone 6 Plus, "http://www.amazon.co.uk/Spigen-Tough-Armor-Cover-iPhone/dp/B00LL987W2/ref=sr_1_1?ie=UTF8&qid=1447365859&sr=8-1&keywords=Spigen+Tough+Armor+Cover+Case+for+iPhone+6+Plus"; Jul. 31, 2014 (retrieved Nov. 11, 2014).*

"Lunatik Seisrnik suspension Frame for iPhone 5/5s-Retail Packaging-Black/Smoke,"https://www.amazon.com/Lunatik-Seisrnik-Suspension-Frame-iPhone/dp/B00K4W7Z0M/ref=sr_1_1?ie=UTF8&qid=1464824269&sr=8-1&keywords=lunatik+seisrnik+iphone+5s, Downloaded Jun. 13, 2016, 6Page.
"iPhone 5S/5 Case Slim Armor," <http://www.spigen.com/products/iphone-5s-5-case-slim-armor-s?variant=1162051877>, Downloaded Jun. 13, 2016, 4 Pages.

* cited by examiner

Primary Examiner — Sandra Snapp
Assistant Examiner — Holly E Thurman
(74) *Attorney, Agent, or Firm* — East West Law Group; Heedong Chae

(57) **CLAIM**

The ornamental design for a case for electronic device, as shown and described.

DESCRIPTION

FIG. 1 is a front perspective view of a case for electronic device, comprised of inner portion, outer portion, and support leg, showing my new design in an assembled state; FIG. 2 is a rear perspective view thereof; FIG. 3 is a front elevational view thereof; FIG. 4 is a rear elevational view thereof; FIG. 5 is a left side elevational view thereof; FIG. 6 is a right side elevational view thereof; FIG. 7 is a top plan view thereof; FIG. 8 is a bottom plan view thereof; FIG. 9 is a rear perspective view thereof, showing the support leg in an open position; FIG. 10 is another rear perspective view thereof; FIG. 11 is an exploded rear perspective view thereof showing the inner portion, outer portion, and support leg of the case for electronic device separated for clarity of disclosure; FIG. 12 is a front perspective view of the inner portion only shown separately for clarity of disclosure; FIG. 13 is a rear perspective view thereof; FIG. 14 is a front perspective view of the support leg only shown separately for clarity of disclosure; FIG. 15 is a rear perspective view thereof; FIG. 16 is a front perspective view of the outer portion only shown separately for clarity of disclosure; and, FIG. 17 is a rear perspective view thereof.

The broken line showing of environment is for illustrative purposes only and forms no part of the claimed design.

1 Claim, 17 Drawing Sheets

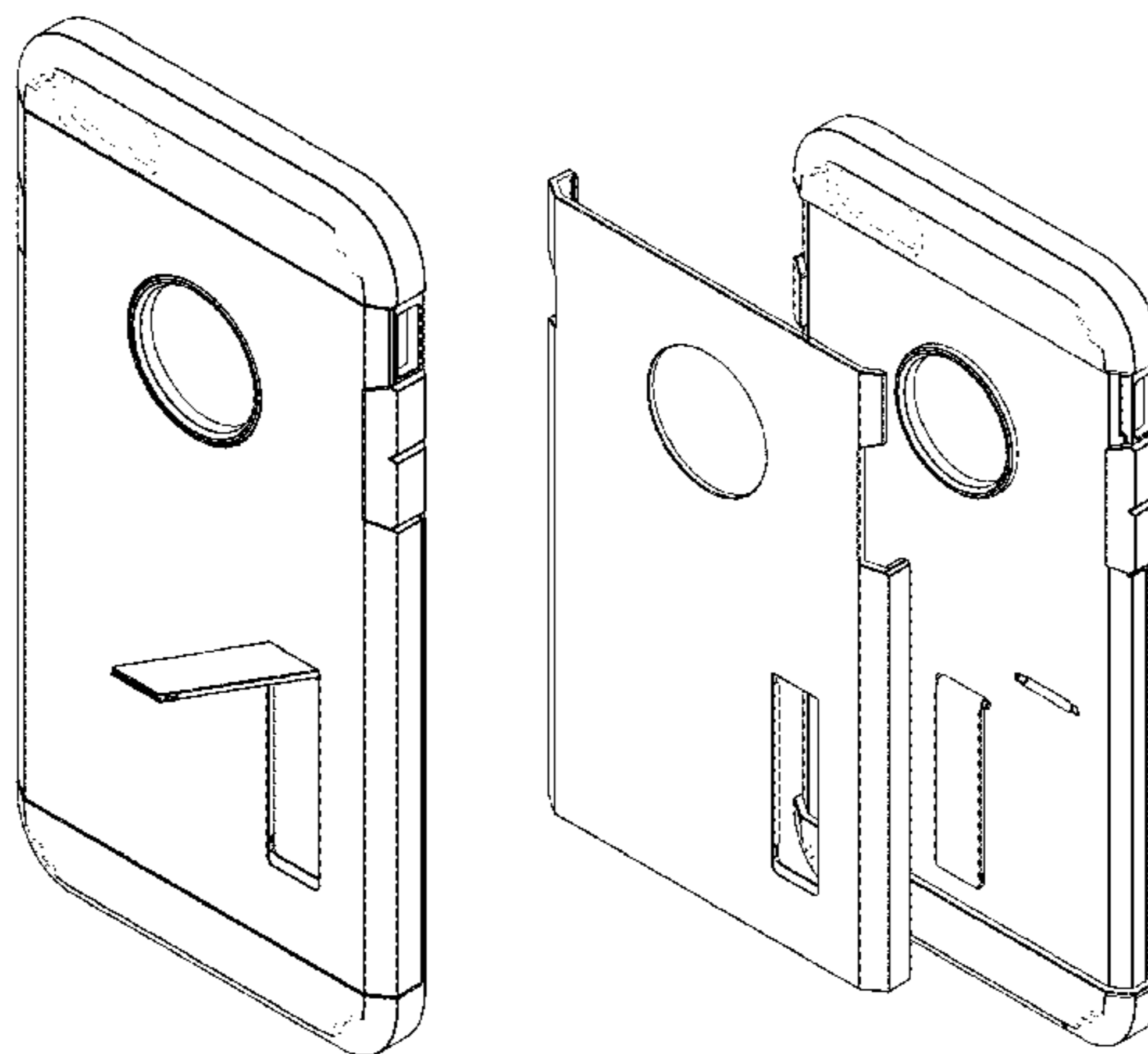


FIG. 1

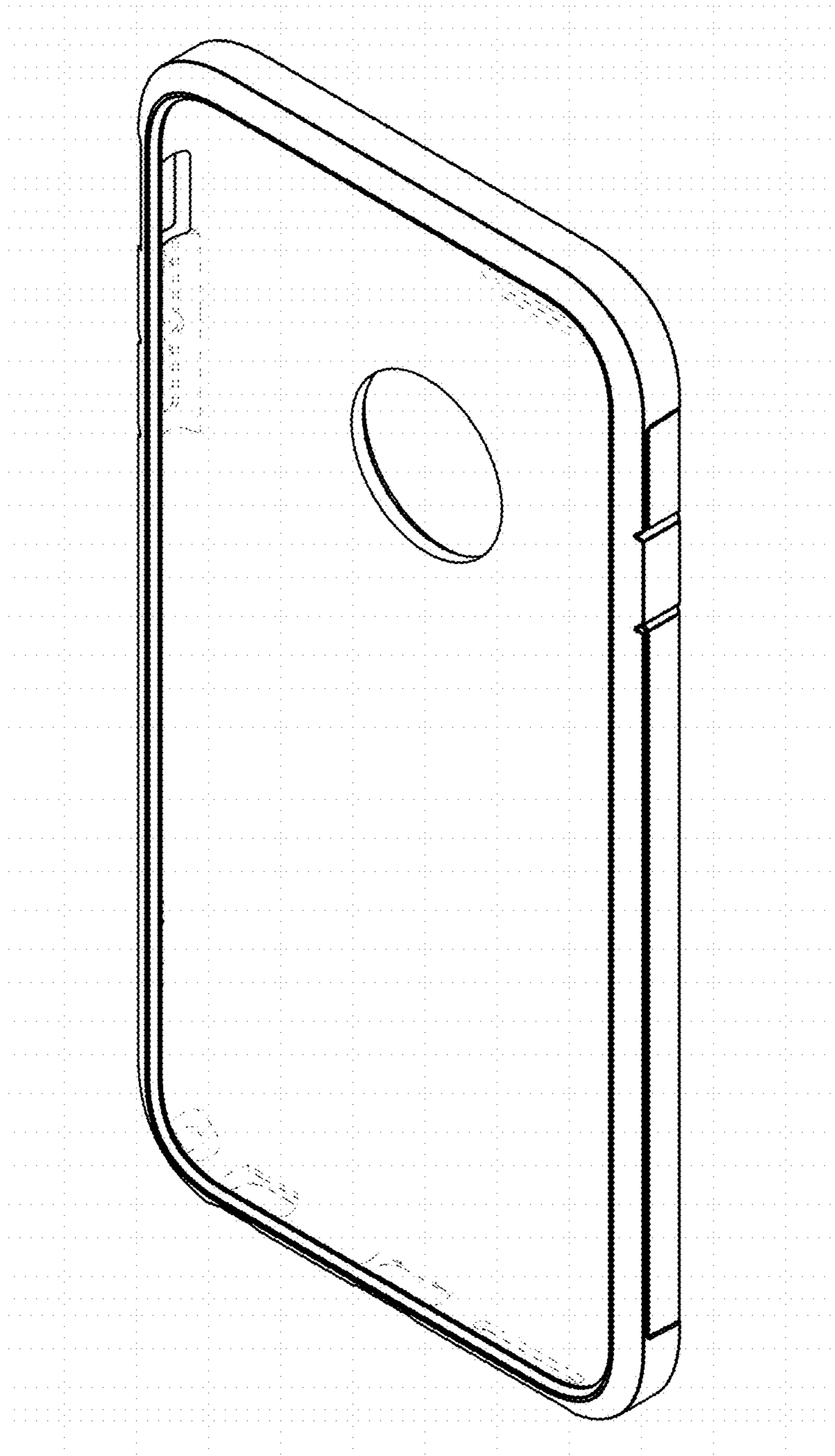


FIG. 2

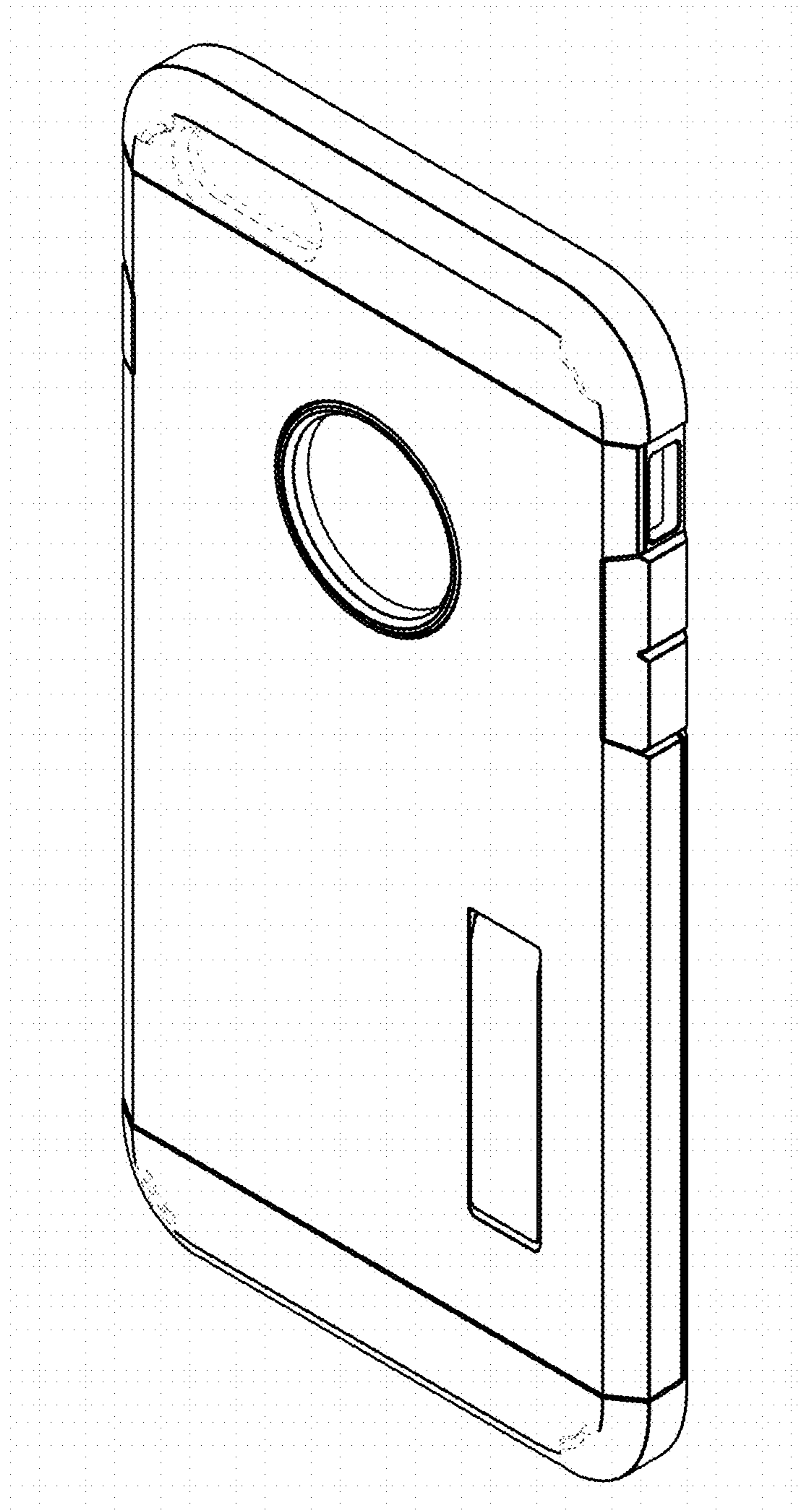


FIG. 3

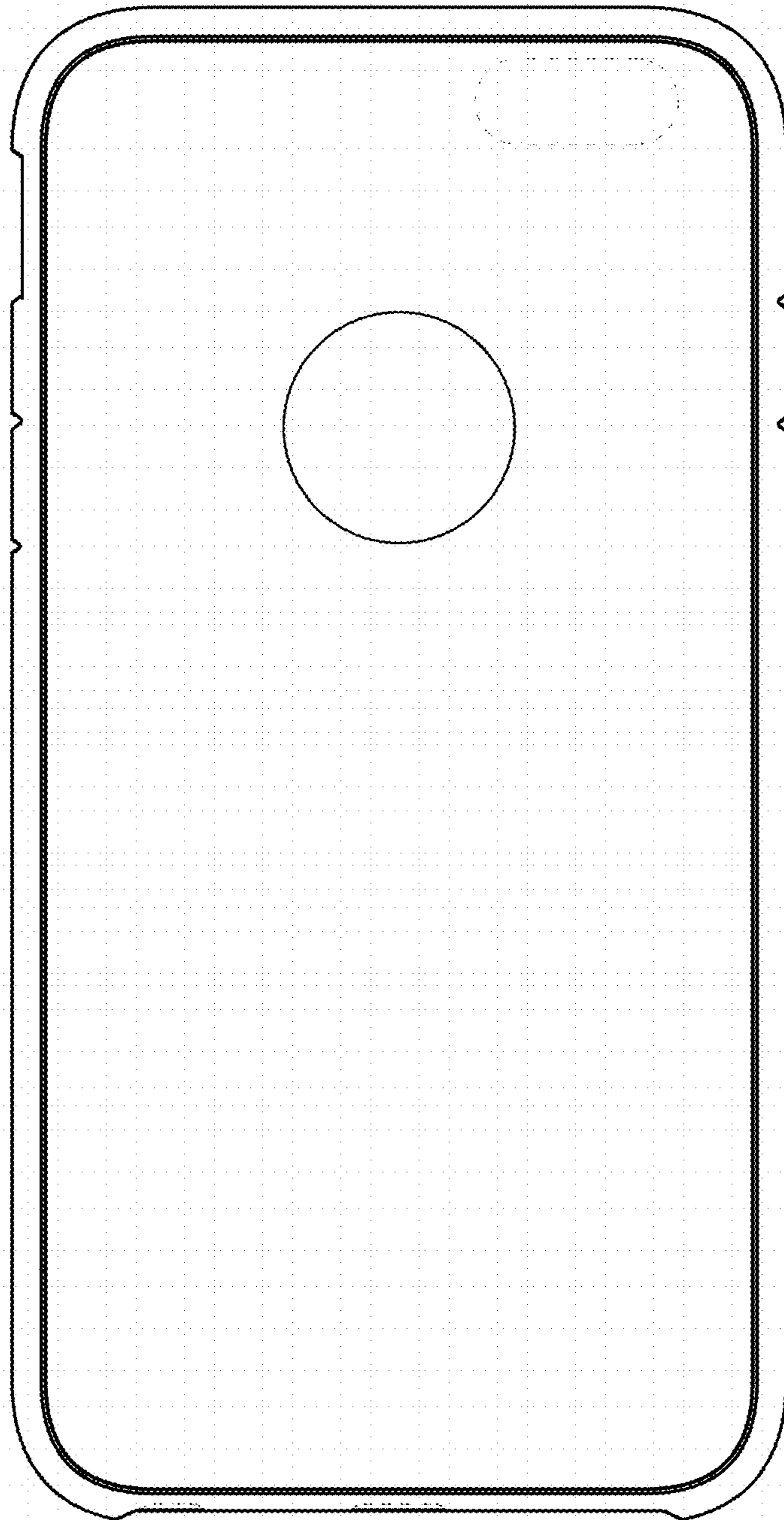


FIG. 4

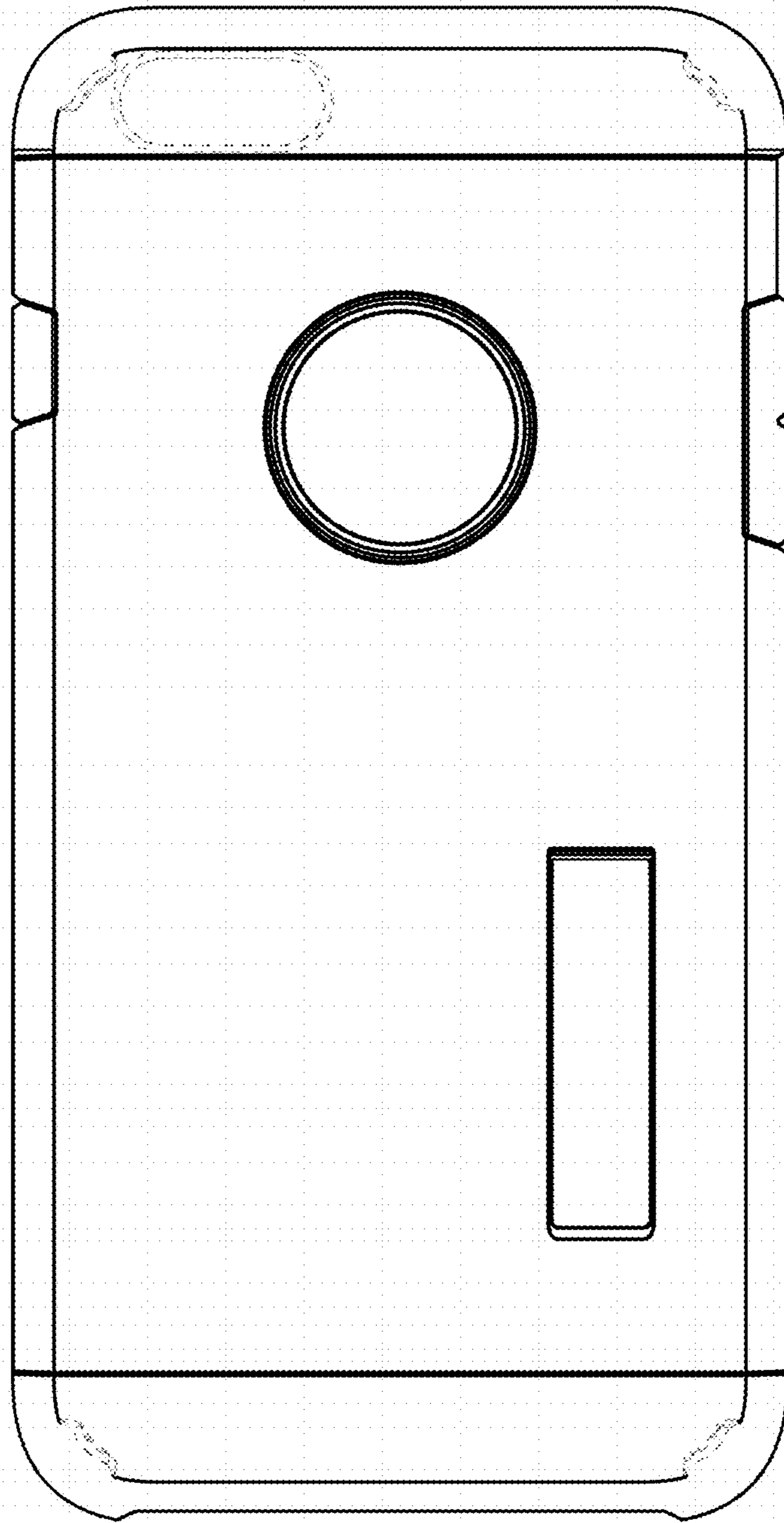


FIG. 5

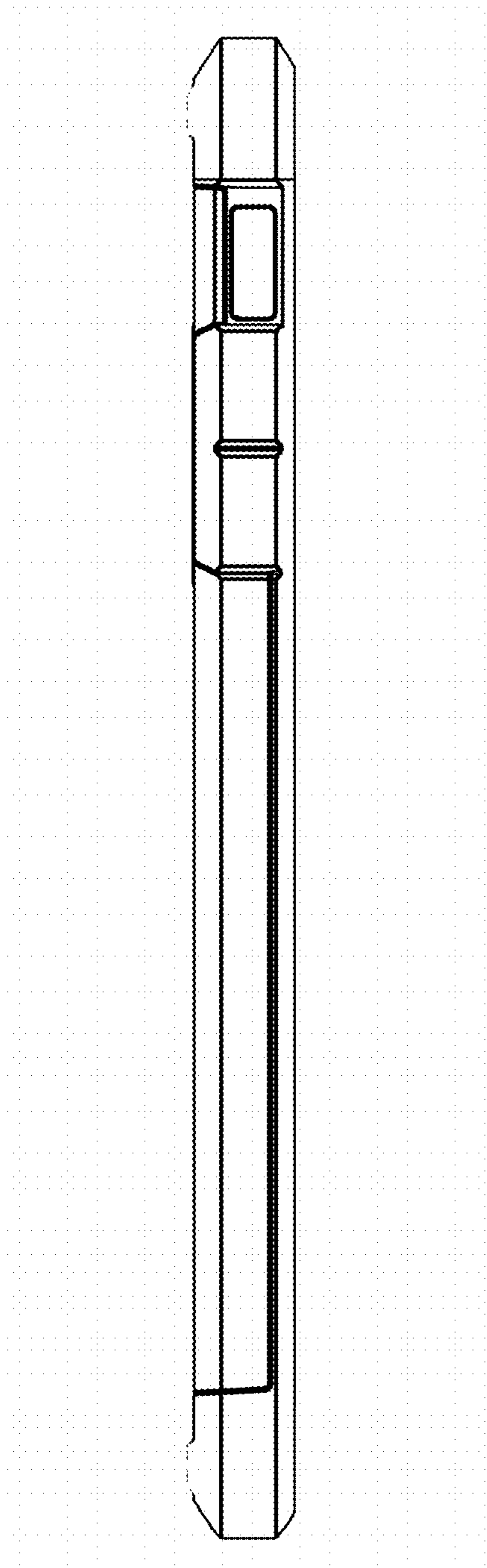


FIG. 6

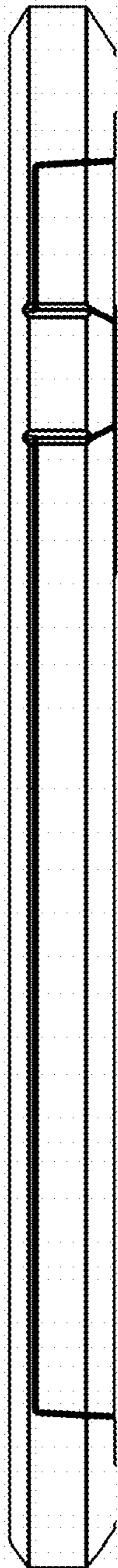


FIG. 7

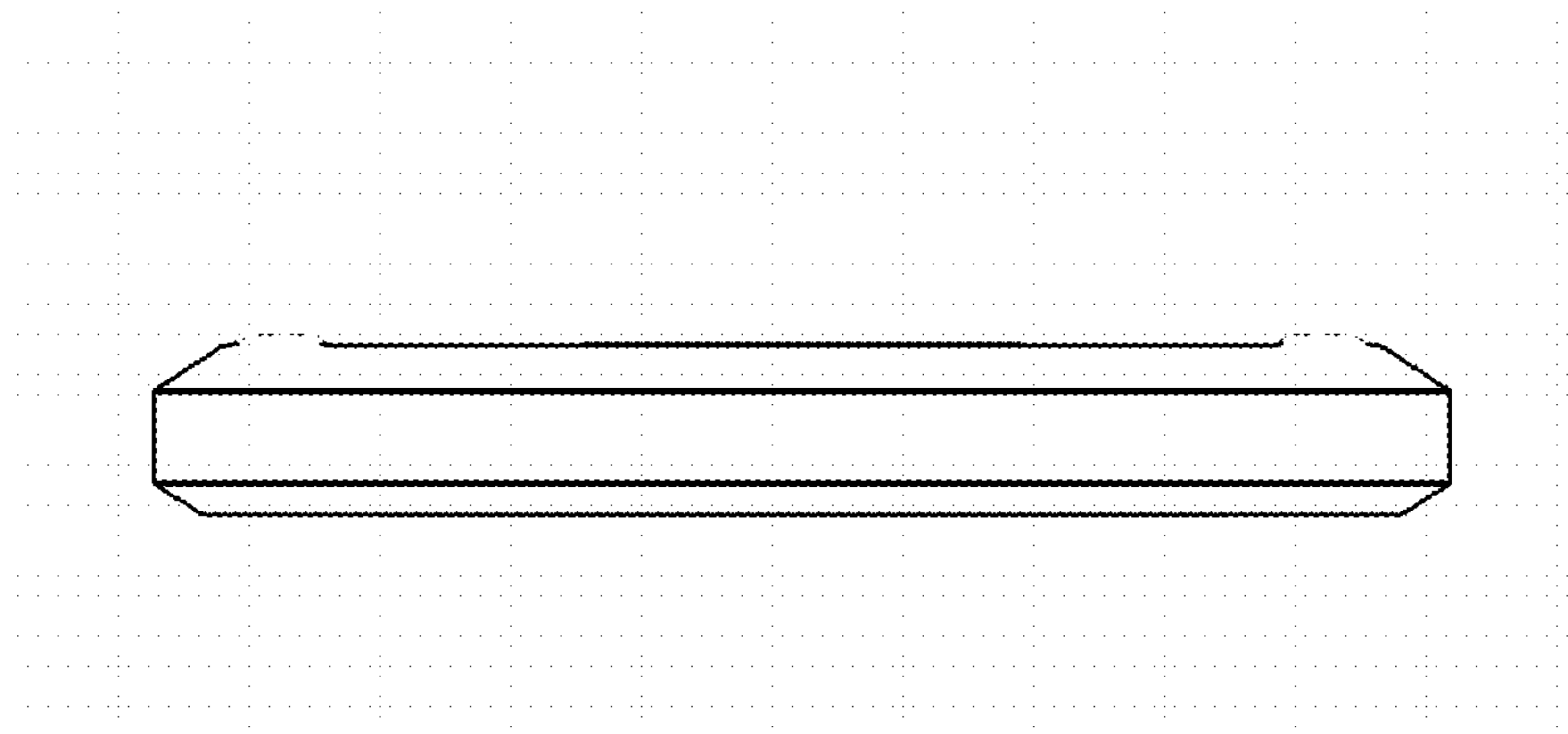


FIG. 8

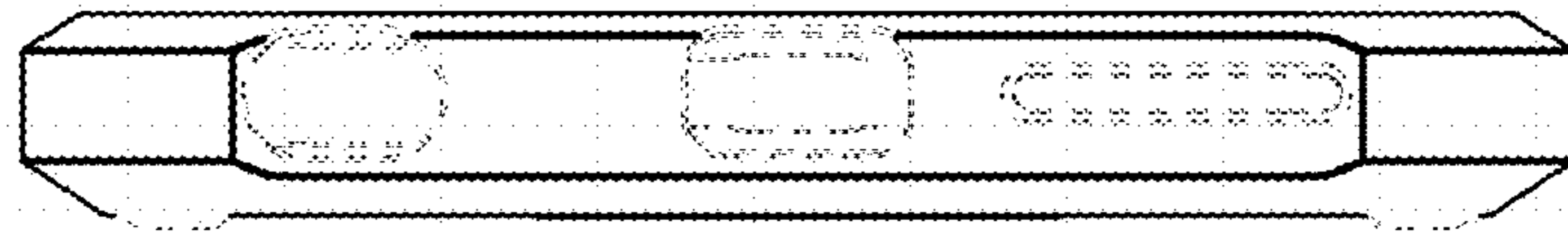


FIG. 9

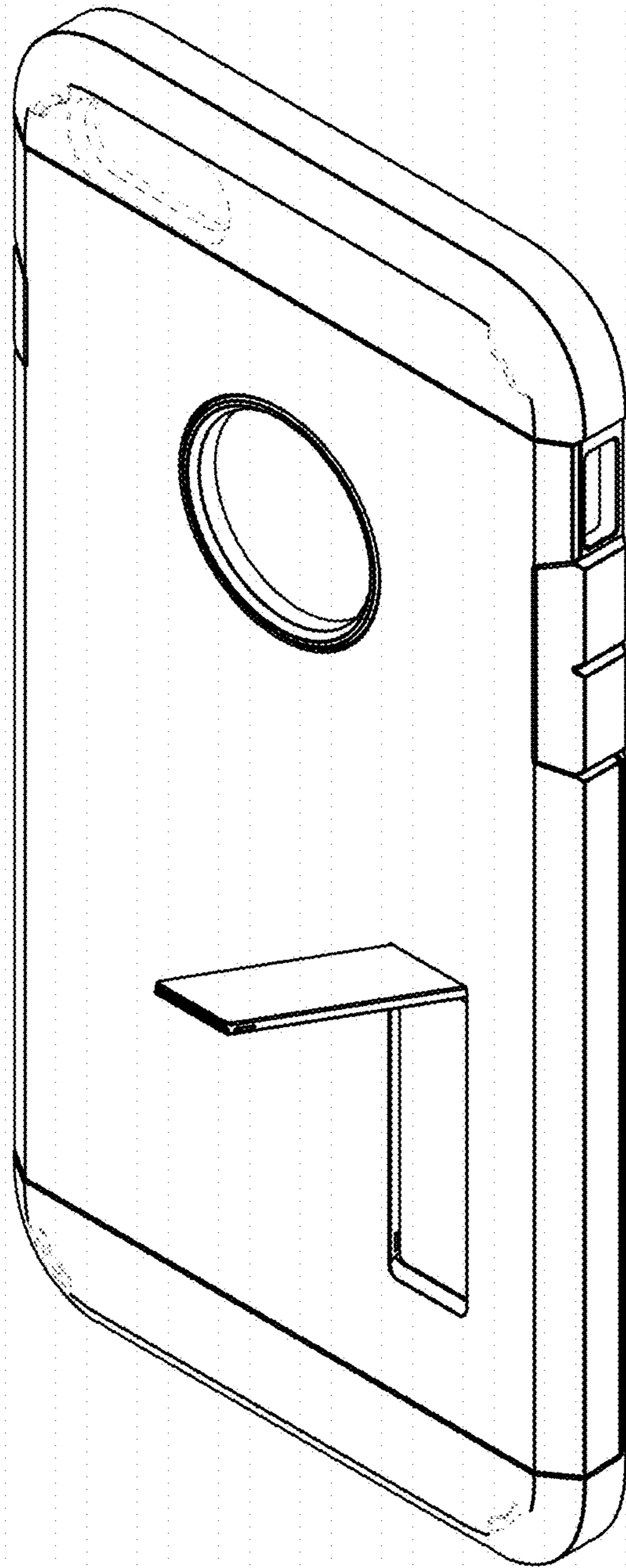


FIG. 10

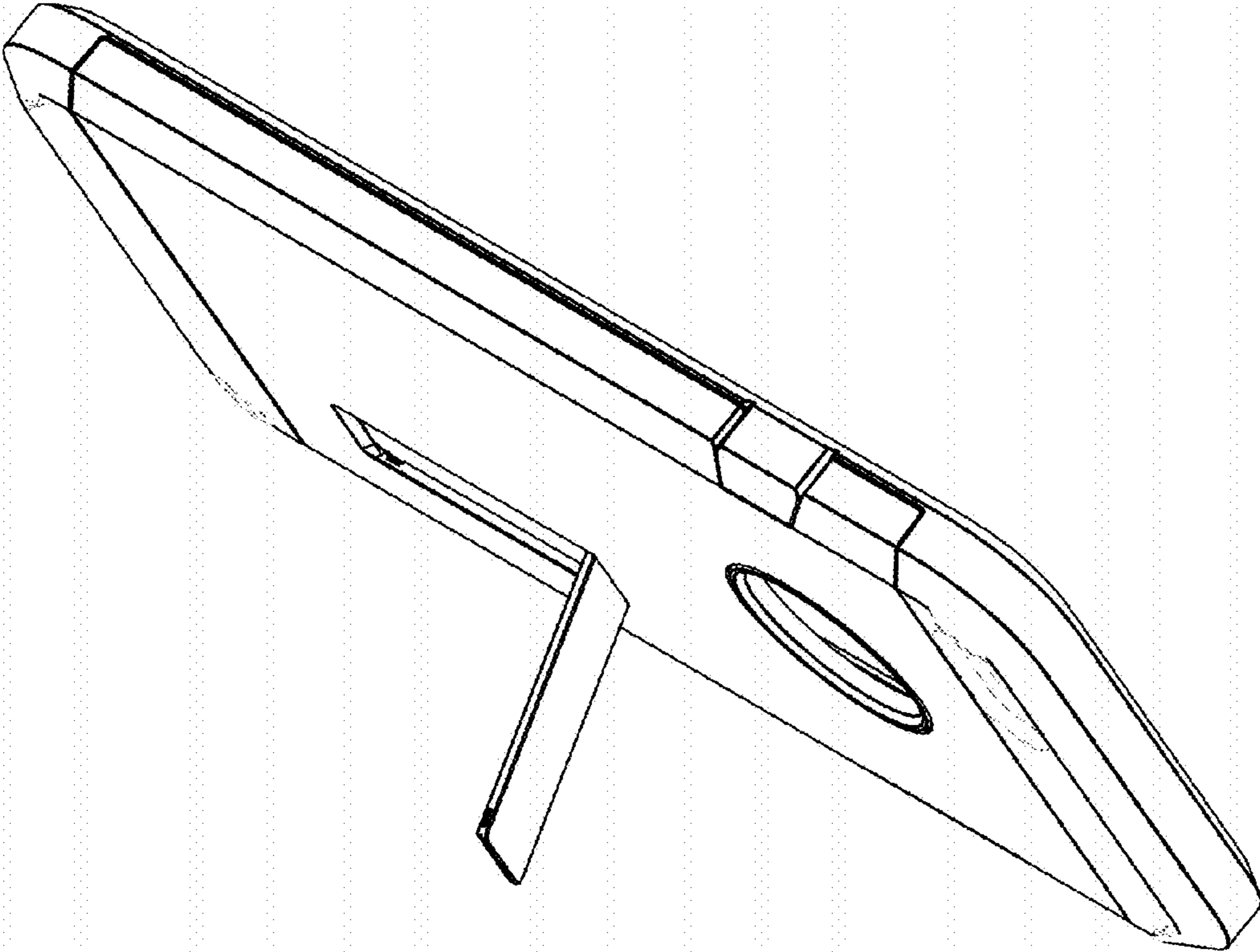


FIG. 11

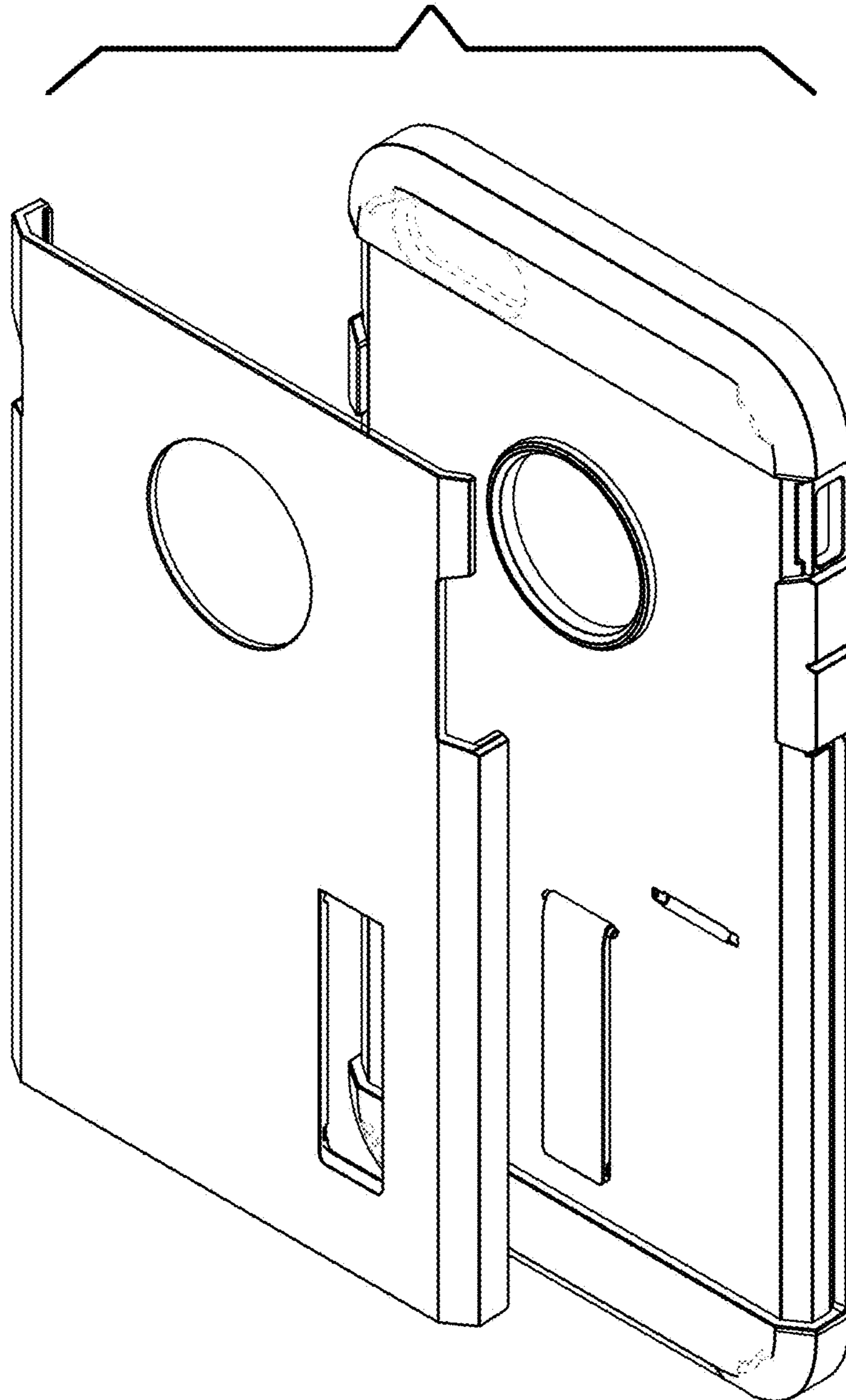


FIG. 12

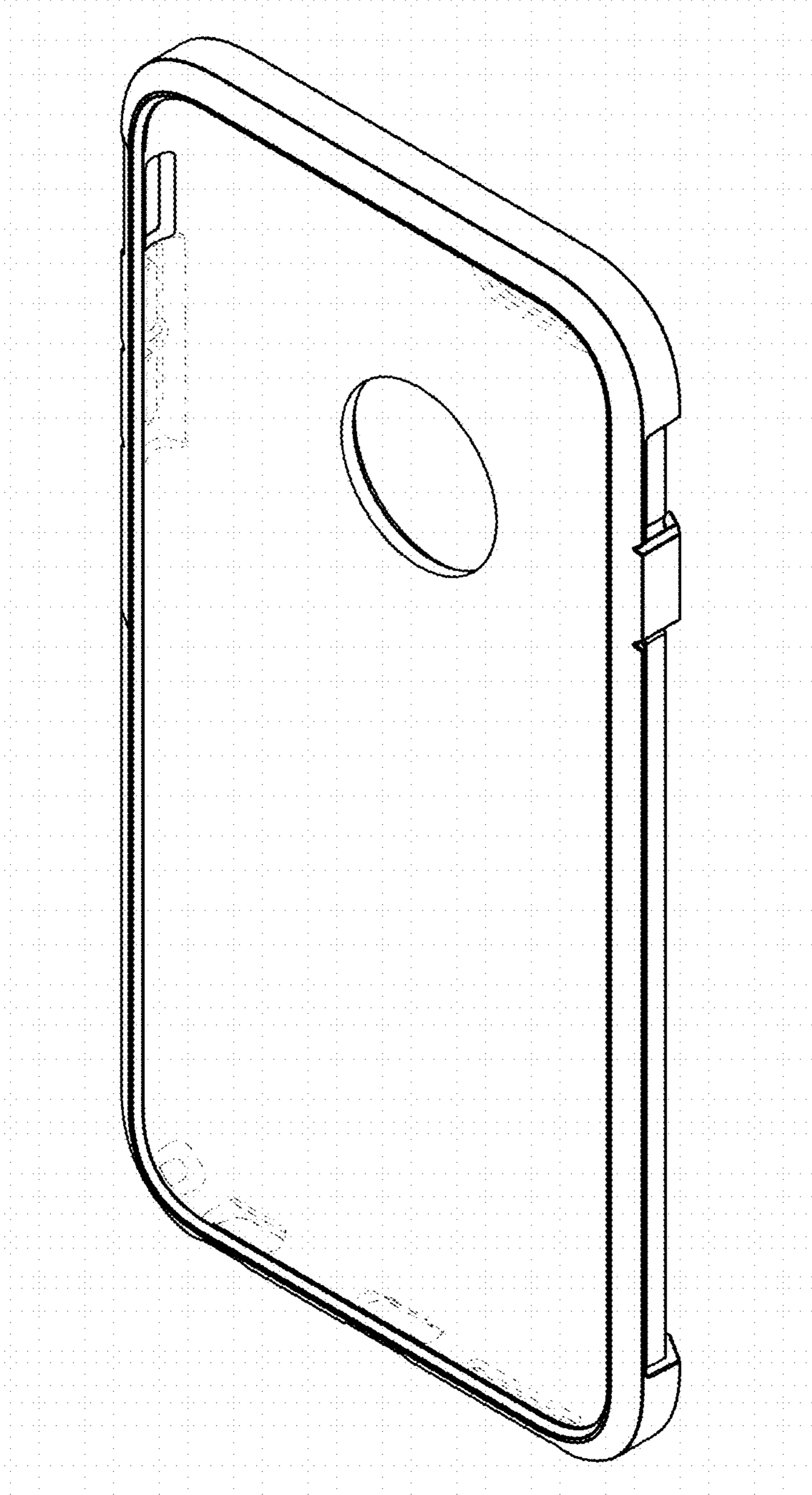


FIG. 13

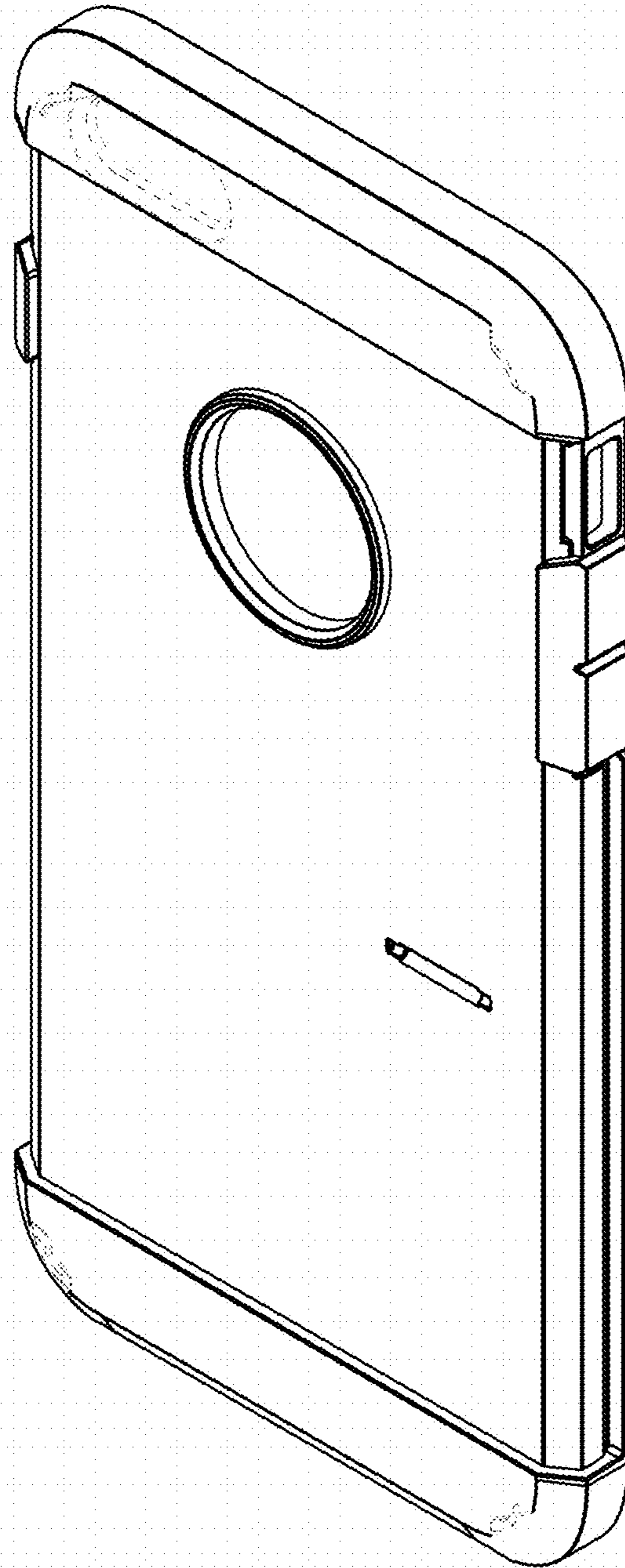


FIG. 14

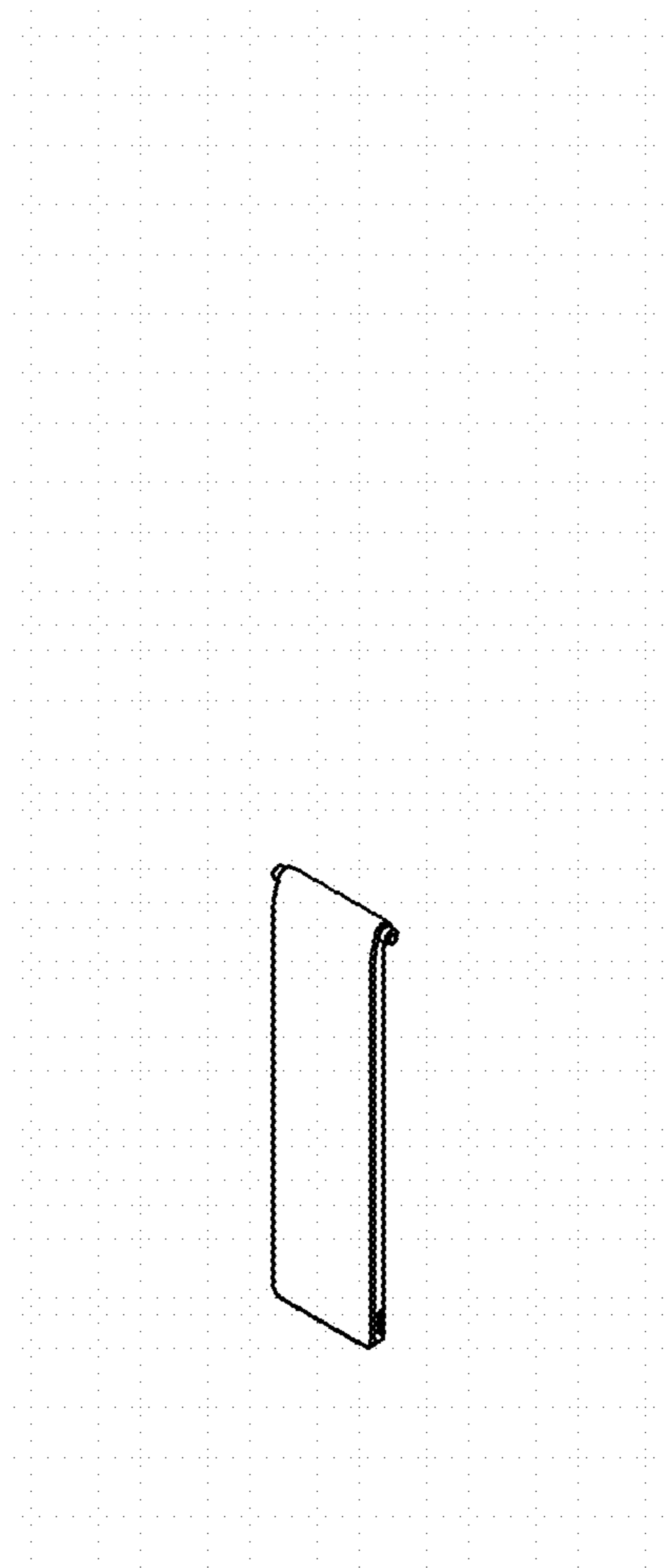


FIG. 15

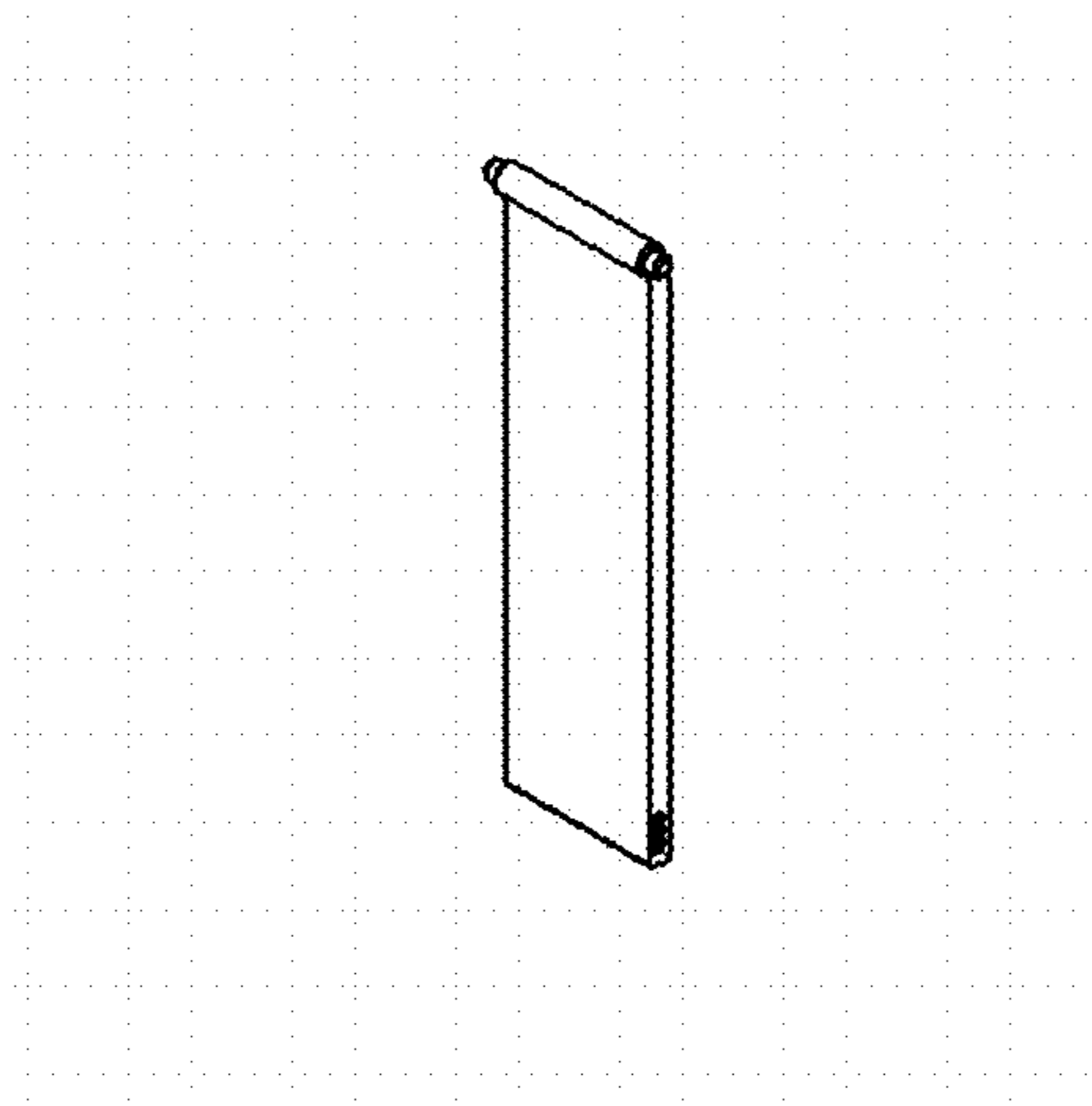
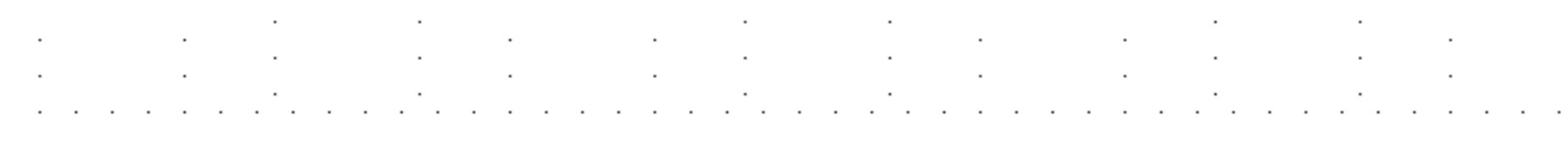


FIG. 16

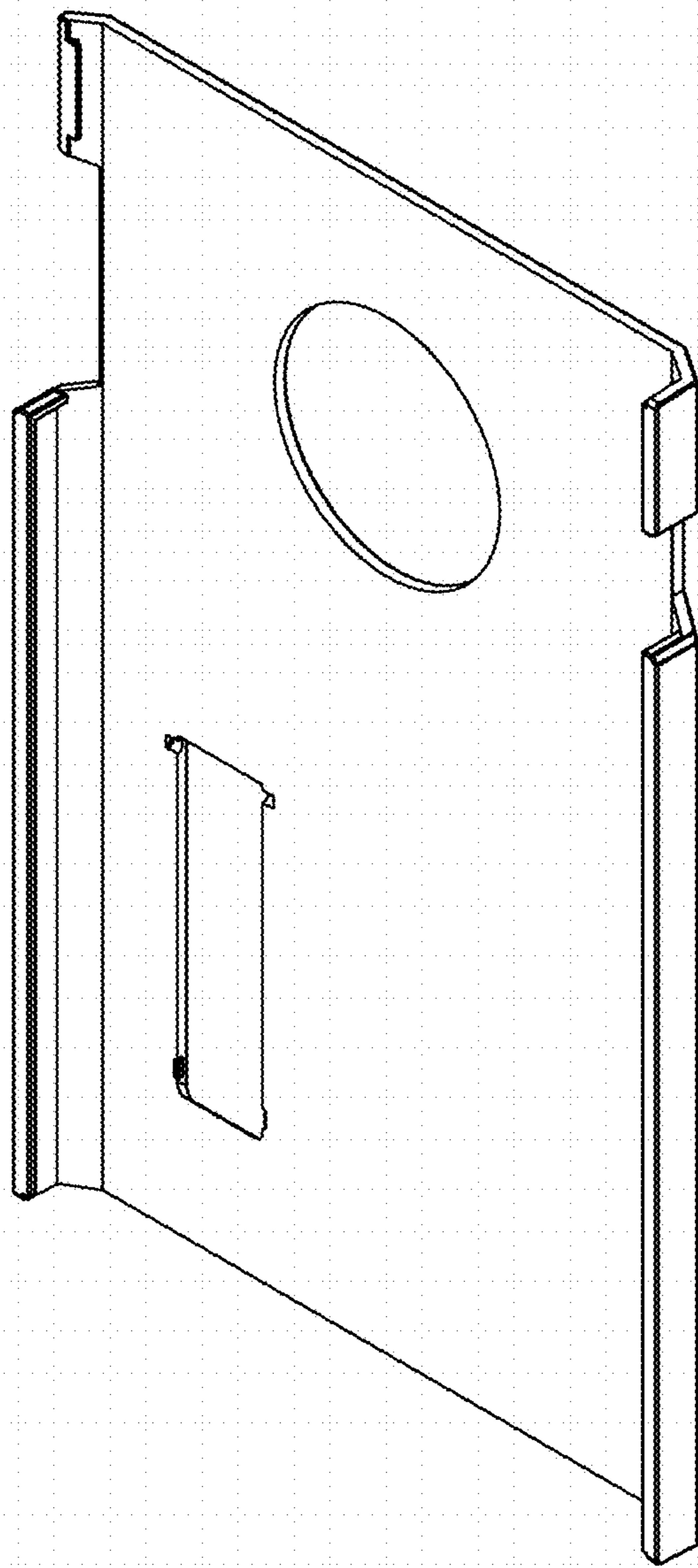


FIG. 17

