



US00D771021S

(12) **United States Design Patent** (10) **Patent No.:** **US D771,021 S**
Matsunaga (45) **Date of Patent:** **** Nov. 8, 2016**

(54) **SPEAKER**

(71) Applicant: **FOSTER ELECTRIC COMPANY, LIMITED**, Tokyo (JP)

(72) Inventor: **Akinori Matsunaga**, Tokyo (JP)

(73) Assignee: **FOSTER ELECTRIC COMPANY LIMITED**, Akishima, Tokyo (JP)

(**) Term: **15 Years**

(21) Appl. No.: **29/530,362**

(22) Filed: **Jun. 16, 2015**

(51) **LOC (10) Cl.** **14-03**

(52) **U.S. Cl.**
USPC **D14/221**; D14/214

(58) **Field of Classification Search**
USPC D14/167, 168, 170–172, 188, 194–196, D14/204, 207, 209.1, 210–216, 219, 221, D14/222, 224, 239, 496; 181/143, 144, 147, 181/148, 150, 153, 157, 198, 199; 381/300–303, 306, 332, 333, 336, 345, 381/361–364, 386–388; 369/6–12
CPC ... B60R 11/0217; G06F 1/1688; G10K 9/22; G10K 11/004; H03F 1/327; H04M 1/03; H04M 1/035; H04N 5/642; H04N 21/4852; H04R 1/02; H04R 1/06; H04R 1/021; H04R 1/025; H04R 1/026; H04R 1/028; H04R 1/105; H04R 1/323; H04R 1/403; H04R 1/2803; H04R 1/2834; H04R 5/02; H04R 7/20; H04R 9/06; H04R 9/025; H04R 2201/021; H04R 2400/00; H04R 2400/07; H04R 2499/11; H04R 2499/13; H04R 2499/15; H04S 3/00; H04S 7/30

See application file for complete search history.

(56) **References Cited**

U.S. PATENT DOCUMENTS

| | | | | | | |
|----------|---|---|---------|-----------|-------|---------|
| D533,163 | S | * | 12/2006 | Takase | | D14/215 |
| D535,977 | S | * | 1/2007 | Suzuki | | D14/214 |
| D565,548 | S | * | 4/2008 | Yoshinaga | | D14/214 |
| D565,551 | S | * | 4/2008 | Yoshinaga | | D14/216 |
| D571,358 | S | * | 6/2008 | Yoshinaga | | D14/214 |
| D577,712 | S | * | 9/2008 | Itoh | | D14/214 |
| D593,992 | S | * | 6/2009 | Takeo | | D13/133 |
| D656,920 | S | * | 4/2012 | Chen | | D14/214 |
| D707,204 | S | * | 6/2014 | Fujiwara | | D14/204 |
| D743,376 | S | * | 11/2015 | Kim | | D14/214 |
| D751,526 | S | * | 3/2016 | Habraken | | D14/204 |

* cited by examiner

Primary Examiner — Keli L Hill

(74) *Attorney, Agent, or Firm* — Allen Dyer Doppelt Millbrath & Gilchrist

(57) **CLAIM**

The ornamental design for a speaker, as shown and described.

DESCRIPTION

FIG. 1 is a front, top, left side perspective view of a speaker, according to an embodiment of the present invention; FIG. 2 is a rear, bottom, right side perspective view thereof; FIG. 3 is a front view thereof; FIG. 4 is a rear view thereof; FIG. 5 is a right side view thereof; FIG. 6 is a left side view thereof; FIG. 7 is a top view thereof; FIG. 8 is a bottom view thereof; and, FIG. 9 is a front, top, left side perspective view thereof in an environment of use. Broken lines illustrate subject matter outside the boundaries of the claimed invention, and form no part thereof. The environment of use depicted in FIG. 9 forms no part of the claimed invention.

1 Claim, 8 Drawing Sheets

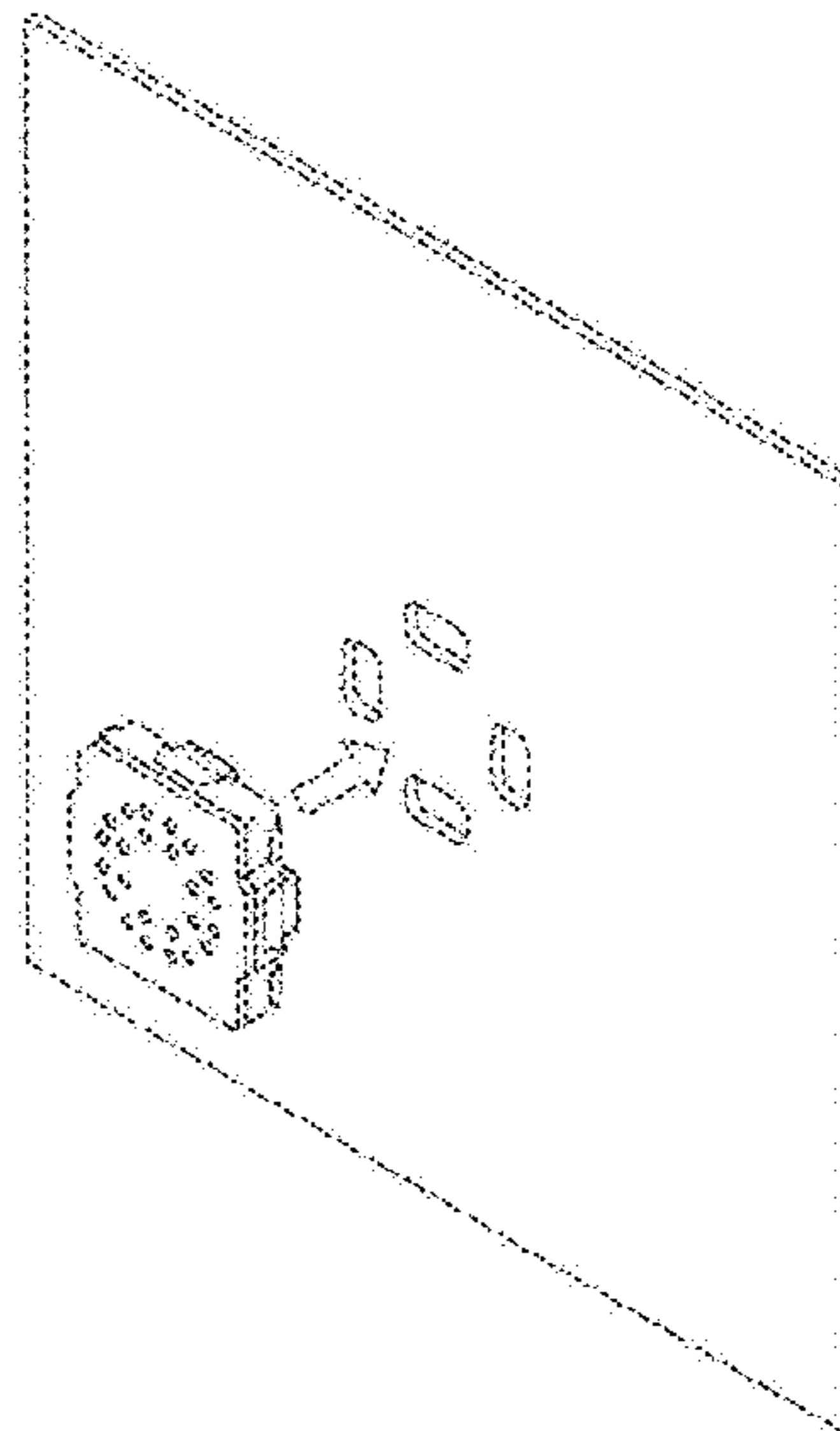
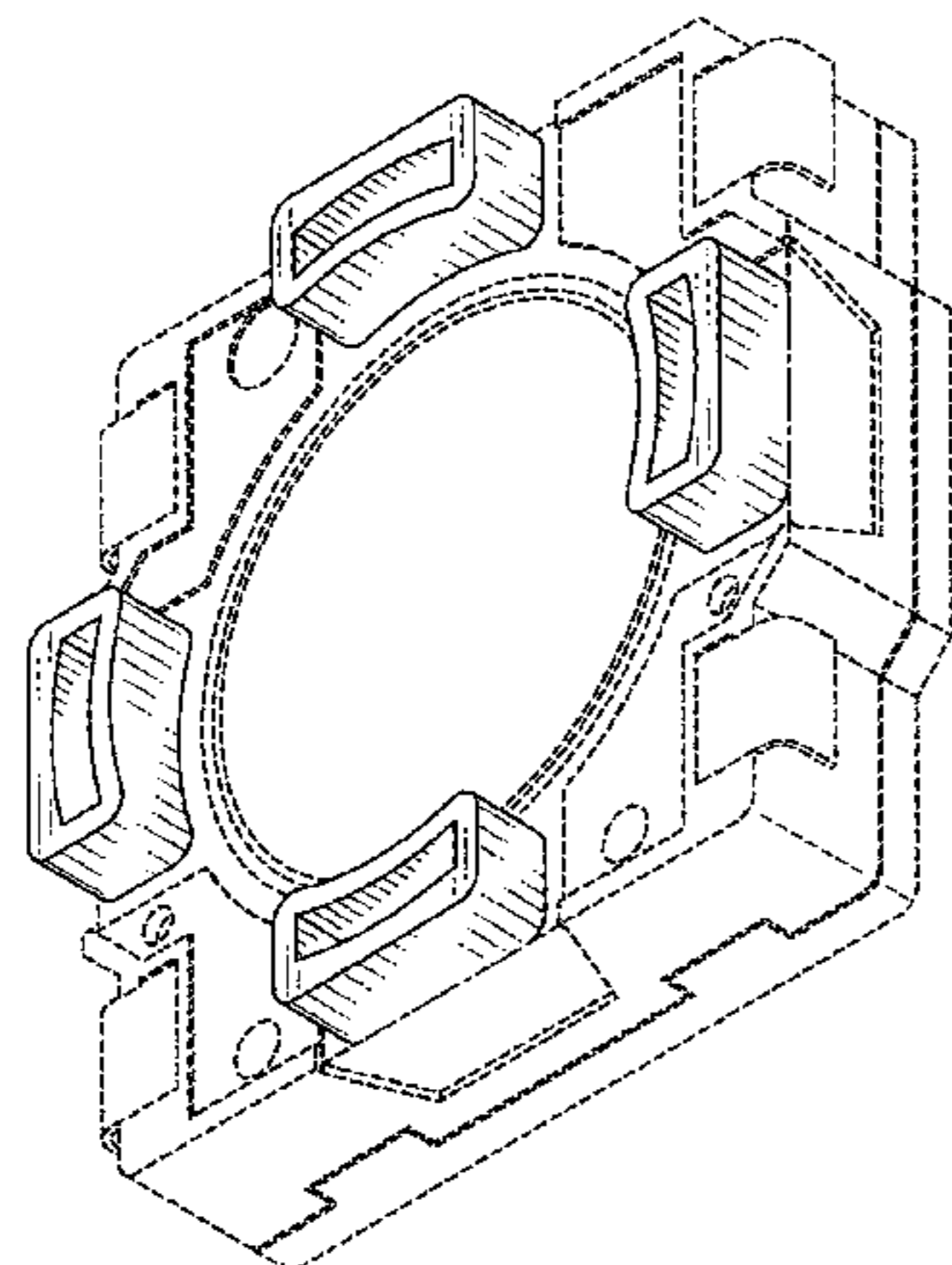


FIG. 1

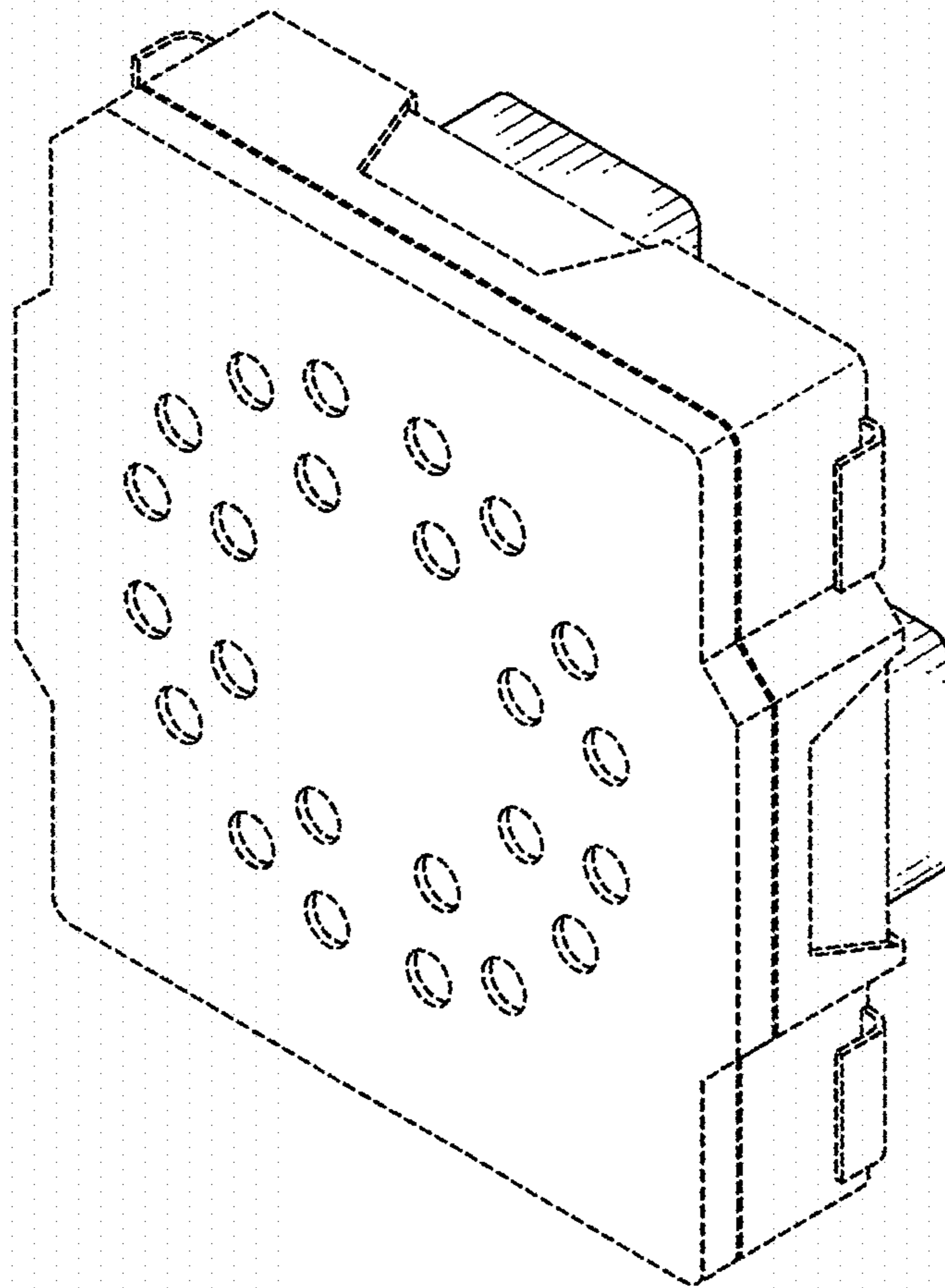


FIG.2

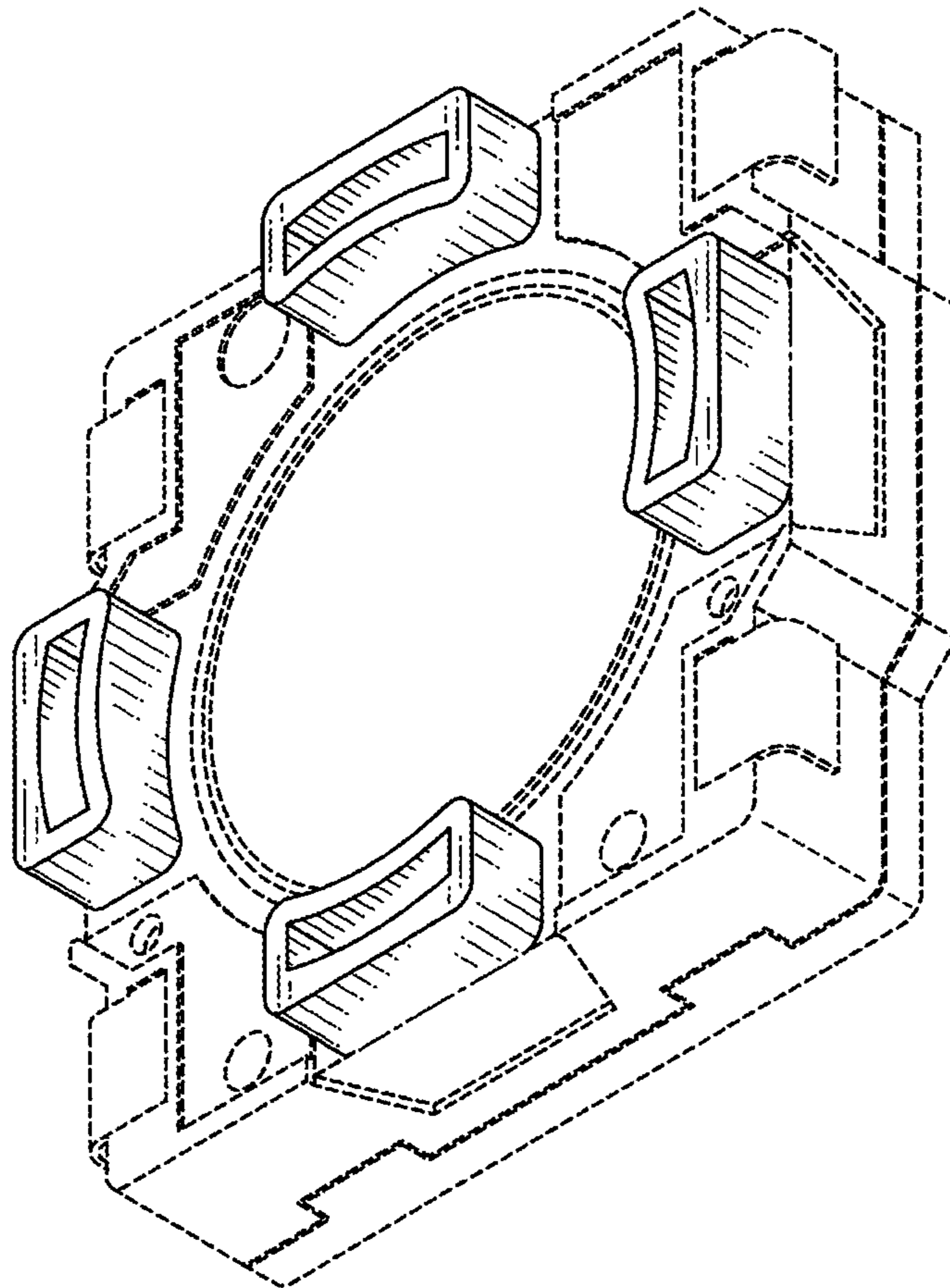


FIG.3

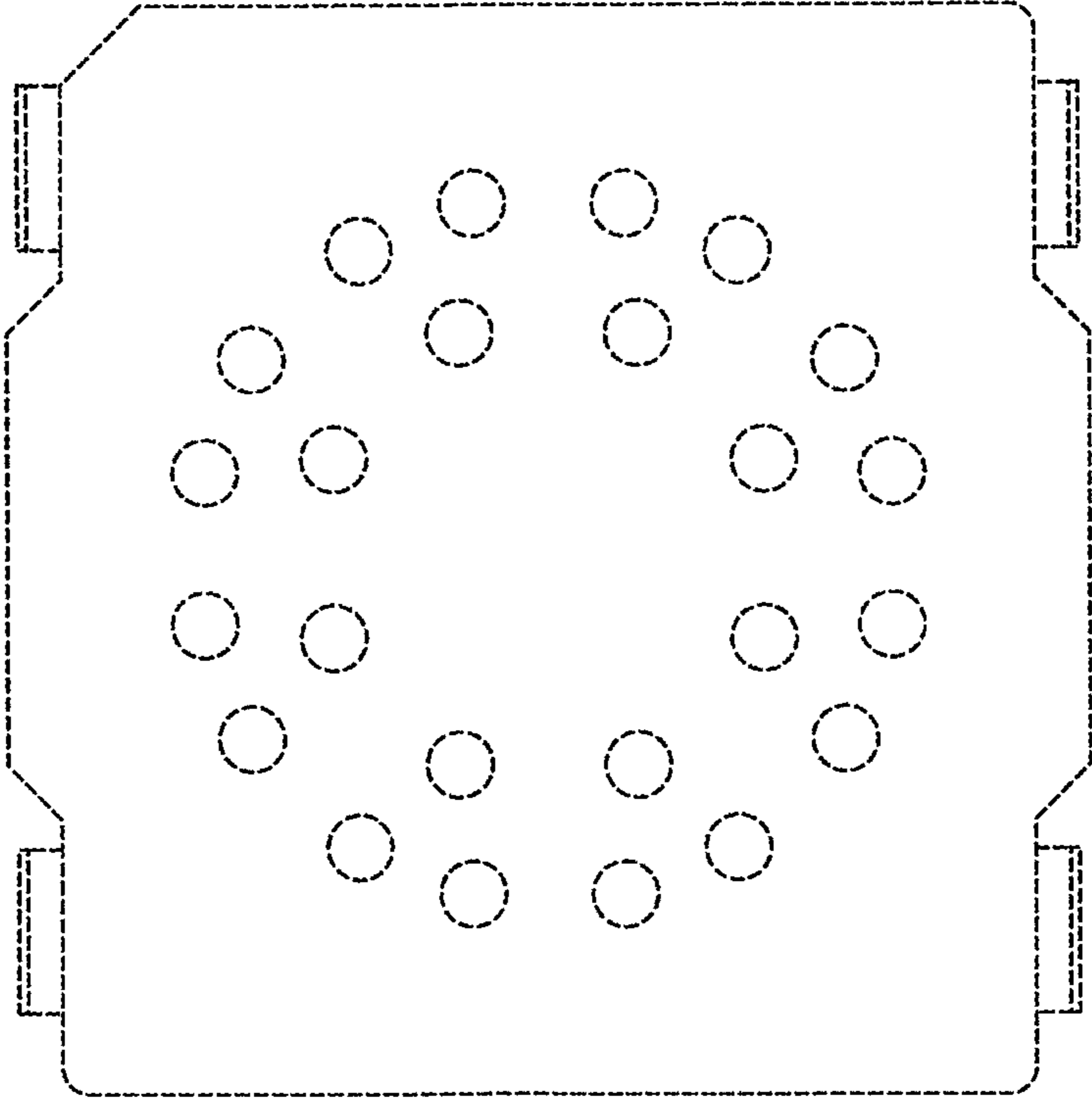


FIG.4

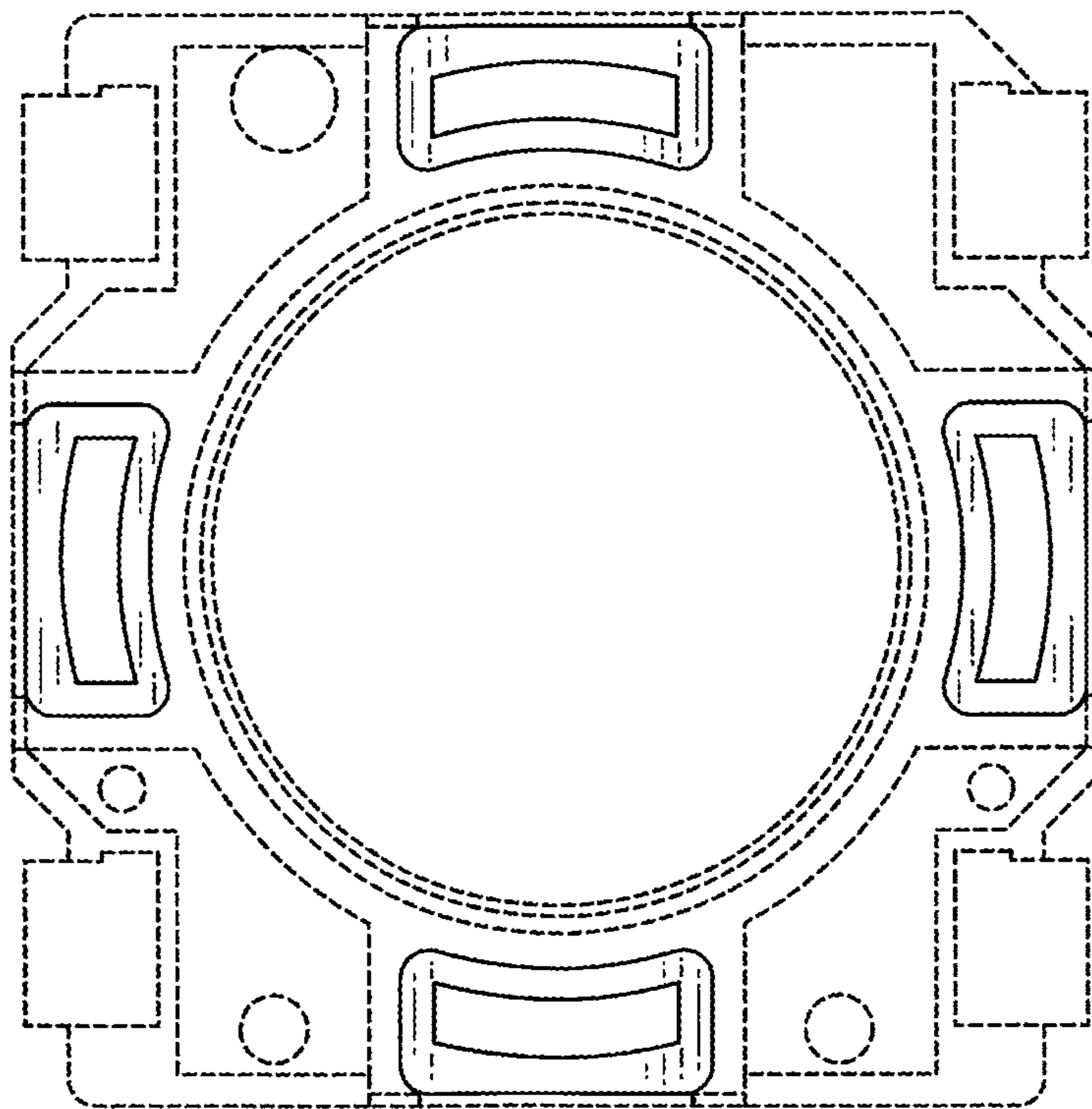


FIG.5

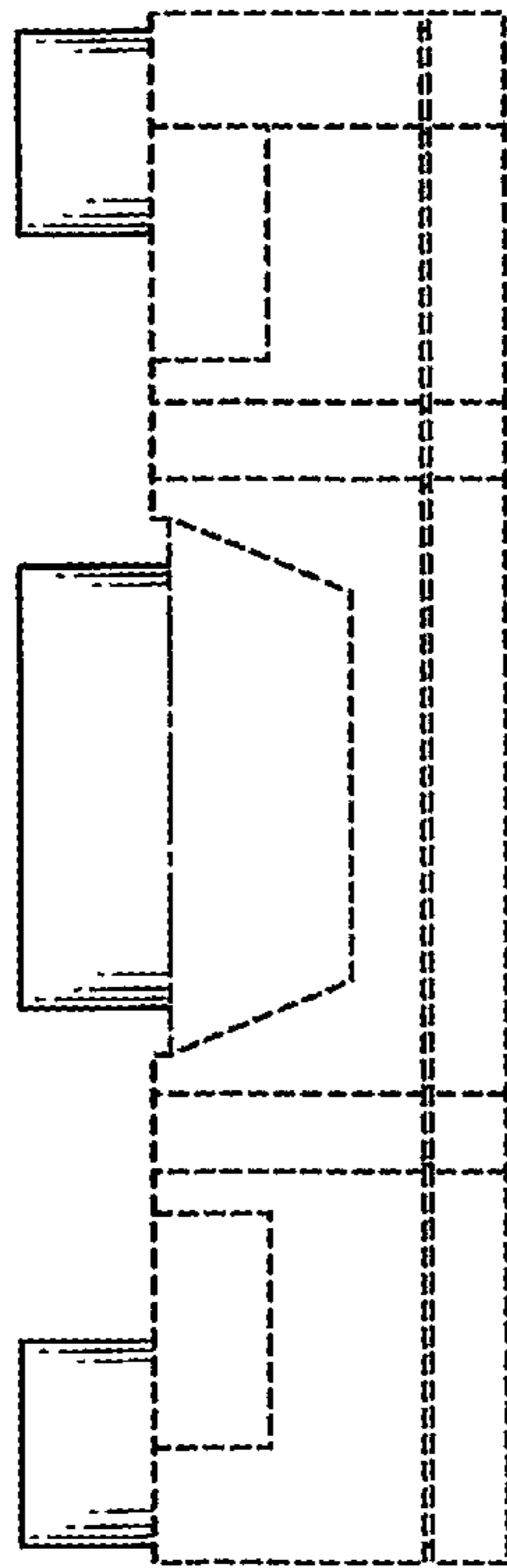


FIG.6

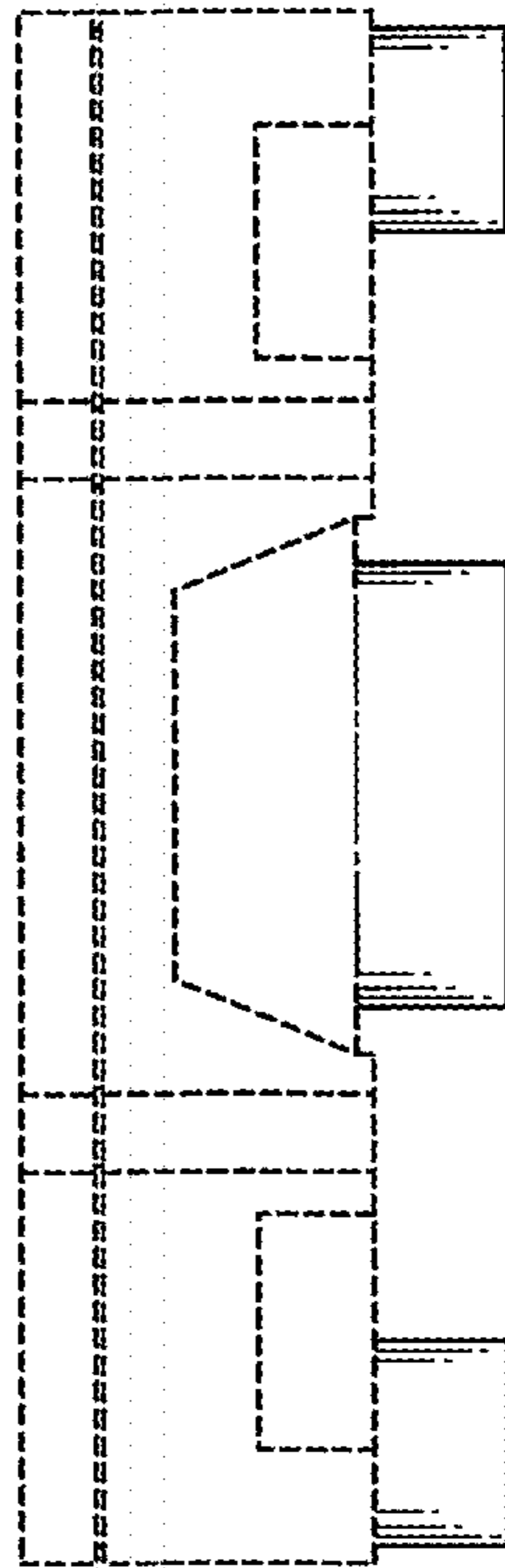


FIG.7

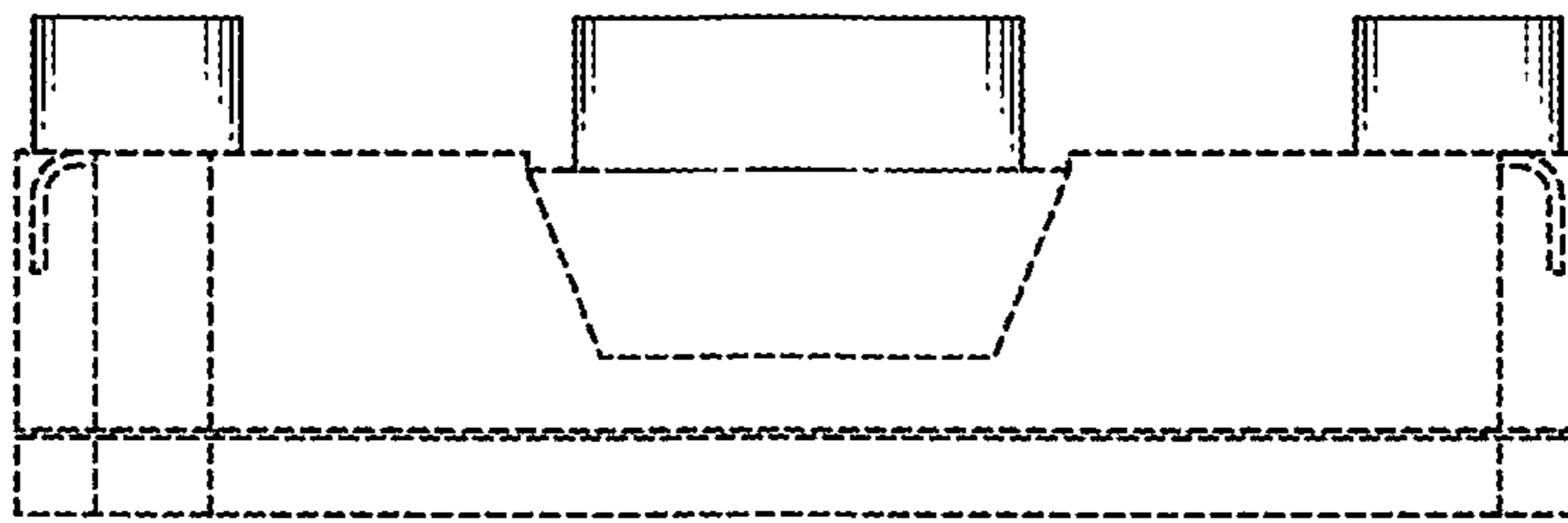


FIG.8

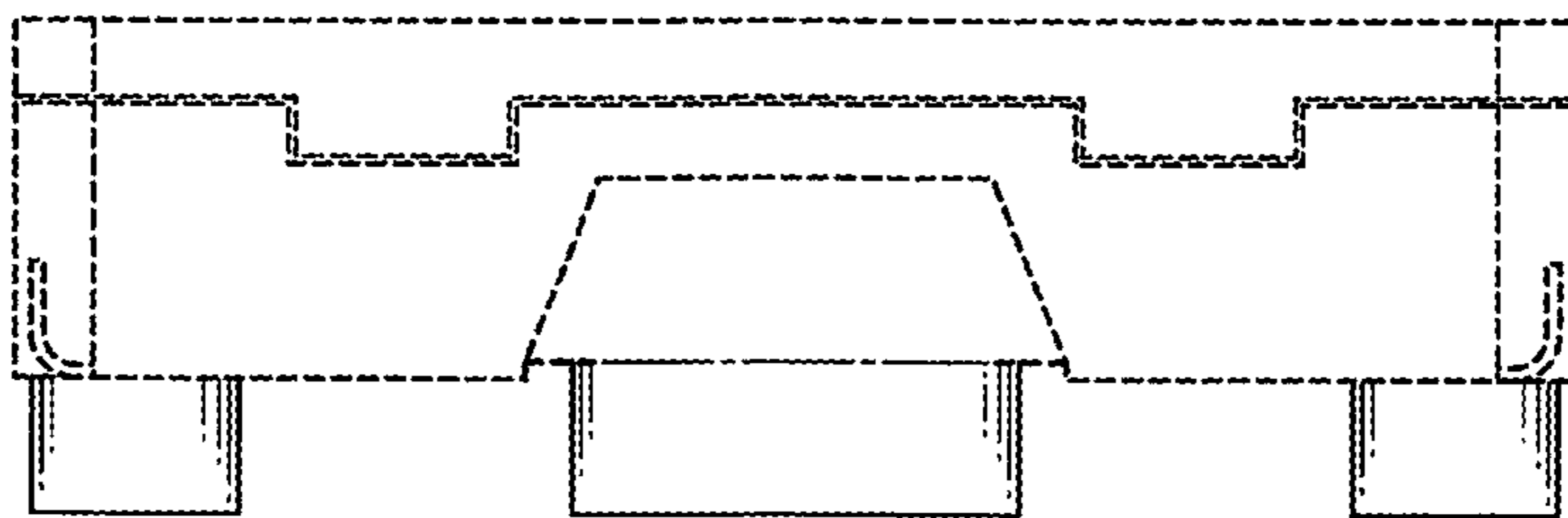


FIG. 9

