



US00D771019S

(12) **United States Design Patent**
Lee et al.

(10) **Patent No.:** **US D771,019 S**
(45) **Date of Patent:** **** Nov. 8, 2016**

- (54) **PORTABLE WIRELESS SPEAKER WITH LIGHTING**
- (71) Applicant: **JMTEK, LLC**, Kent, WA (US)
- (72) Inventors: **Kyu Bong Lee**, Tacoma, WA (US); **Tai Yiu Ly**, Kent, WA (US)
- (73) Assignee: **JMTEK, LLC**, Kent, WA (US)
- (**) Term: **14 Years**
- (21) Appl. No.: **29/492,889**
- (22) Filed: **Jun. 3, 2014**
- (51) **LOC (10) Cl.** **14-03**
- (52) **U.S. Cl.**
USPC **D14/216**
- (58) **Field of Classification Search**
USPC D14/167, 168, 170–172, 188, 194–196, D14/204, 207, 209.1, 210–216, 219, 221, D14/222, 224, 496, 189; 181/143, 144, 147, 181/148, 150, 153, 157, 198, 199; 381/300–303, 306, 332, 333, 336, 345, 381/361–364, 386–388; 369/6–12; D26/51, D26/52, 57, 93, 104, 106
CPC .. B60R 11/0217; G06F 1/1688; H04M 1/03; H04M 1/035; H04R 1/02; H04R 1/06; H04R 1/021; H04R 1/025; H04R 1/026; H04R 1/028; H04R 1/105; H04R 1/323; H04R 1/403; H04R 1/2803; H04R 1/2834; H04R 5/02; H04R 7/20; H04R 9/06; H04R 9/025; H04R 2201/021; H04R 2400/00; H04R 2400/07; H04R 2499/11; H04R 2499/13; H04R 2499/15; H04S 3/00; H04S 7/30
See application file for complete search history.

(56) **References Cited**

U.S. PATENT DOCUMENTS

- D318,668 S * 7/1991 Hervatin D14/168
- D343,231 S * 1/1994 Lim D14/210

- D364,165 S * 11/1995 Esslinger D14/213
- D364,871 S * 12/1995 Esslinger D14/211
- D368,092 S * 3/1996 Nottingham D14/188
- D394,863 S * 6/1998 Saer D14/215
- D421,437 S * 3/2000 Myers D14/188
- D520,489 S * 5/2006 Hakoda D14/171
- D563,391 S * 3/2008 Skurdal D14/172
- D584,289 S * 1/2009 Lee D14/216
- 7,639,478 B2 * 12/2009 Wu H05K 5/0008
312/223.2
- D619,119 S * 7/2010 Graber D14/216
- D642,157 S * 7/2011 Holzer D14/209.1
- D687,017 S * 7/2013 Ashcraft D14/216
- D691,116 S * 10/2013 Ponce D14/215
- D691,117 S * 10/2013 Silvera D14/213
- D692,861 S * 11/2013 Paterson D14/214

(Continued)

Primary Examiner — Keli L Hill

(74) *Attorney, Agent, or Firm* — DWC Law Firm, P.S.; David Chen

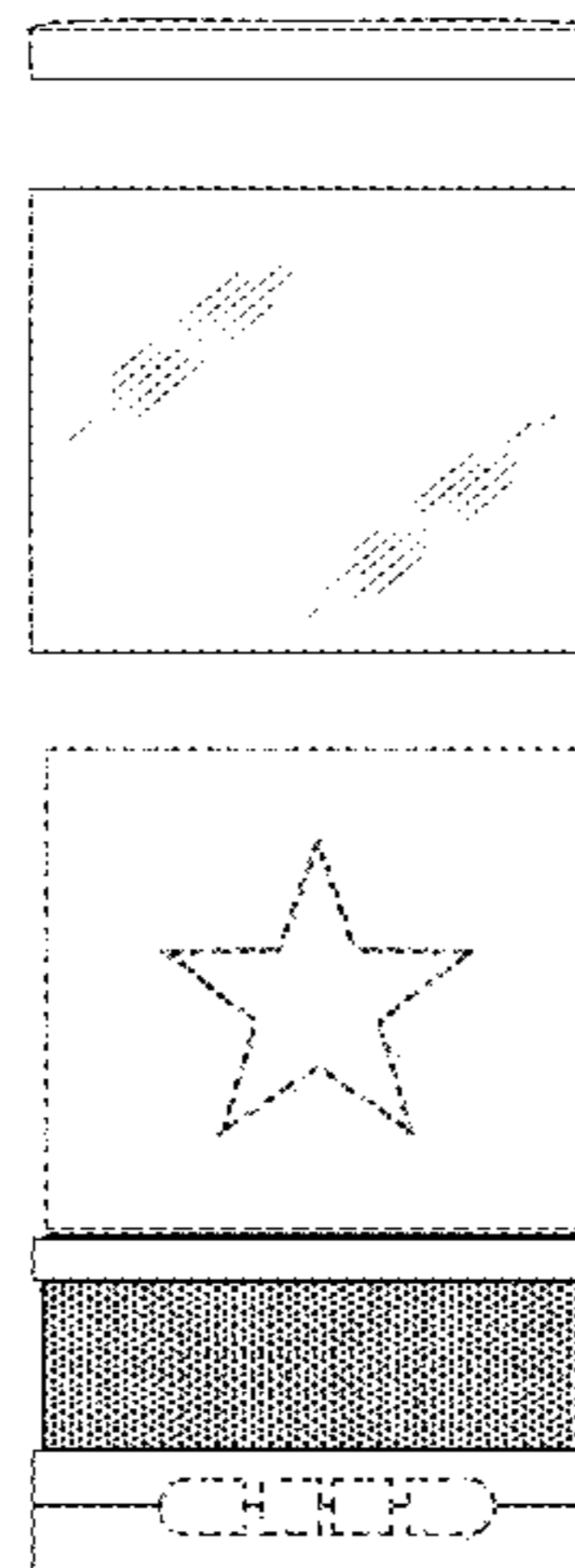
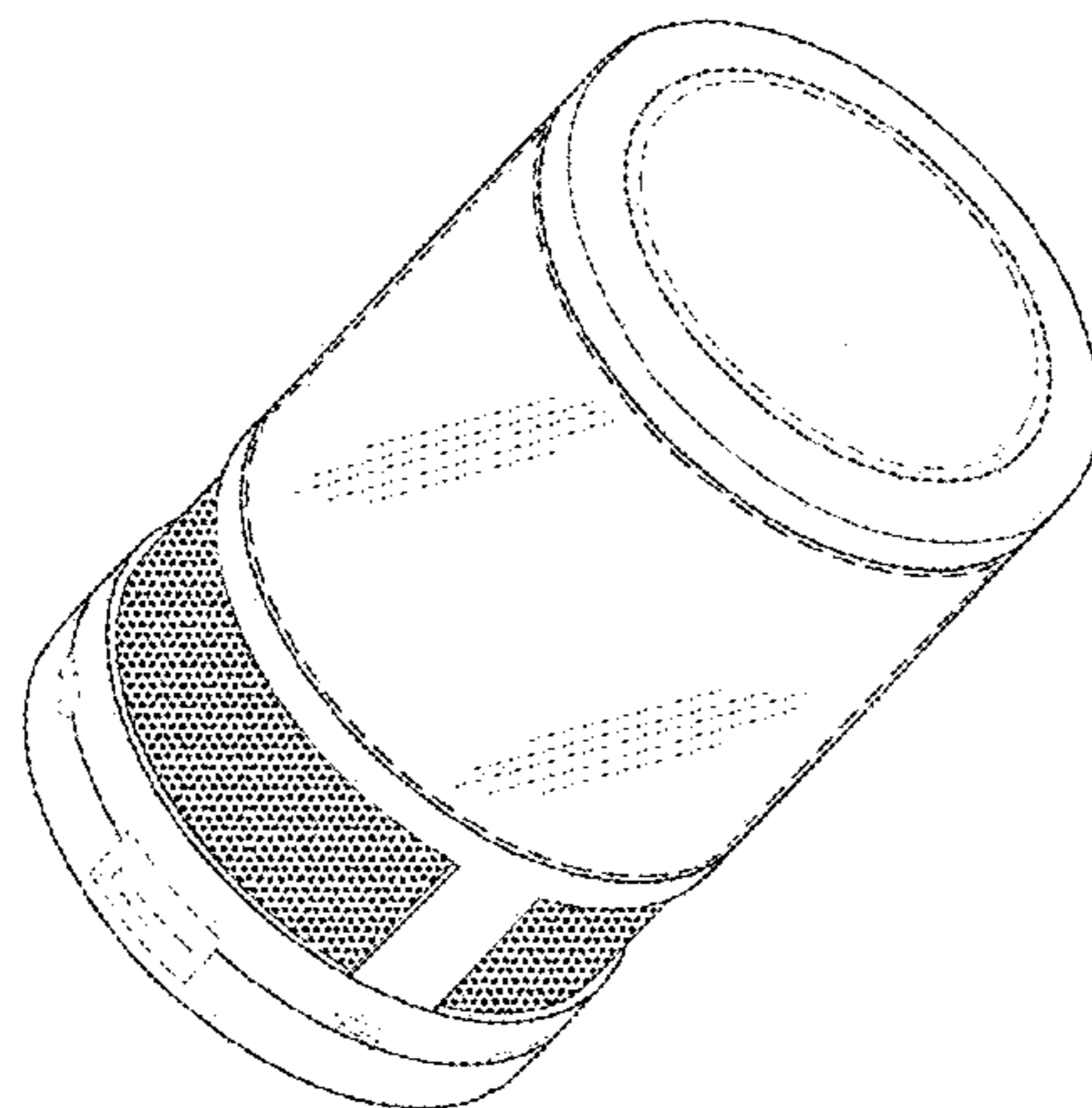
(57) **CLAIM**

The ornamental design for a portable wireless speaker with lighting, as shown and described.

DESCRIPTION

FIG. 1 is a top perspective view of a portable wireless speaker with lighting, embodying our new design;
 FIG. 2 is a bottom perspective view thereof;
 FIG. 3 is a front elevation view thereof, showing a graphic behind the transparent cover;
 FIG. 4 is a rear elevation view thereof;
 FIG. 5 is a left side elevation view thereof;
 FIG. 6 is a right side elevation view thereof;
 FIG. 7 is a top plan view thereof;
 FIG. 8 is a bottom plan view thereof; and,
 FIG. 9 is an exploded front elevation view thereof, showing the transparent cover detached.
 The broken lines shown in the drawings illustrate portions of the portable wireless speaker which form no part of the claimed design.

1 Claim, 9 Drawing Sheets



US D771,019 S

Page 2

(56)

References Cited

U.S. PATENT DOCUMENTS

D697,496 S *	1/2014	Ashcraft	D14/216	D725,077 S *	3/2015	Wong	D14/216
D698,753 S *	2/2014	Yiu	D14/216	D726,155 S *	4/2015	Cheng	D14/216
D706,743 S *	6/2014	Lukic	D14/204	D729,772 S *	5/2015	Ferber	D14/216
D706,747 S *	6/2014	Yoshimura	D14/209.1	D729,777 S *	5/2015	Ono	D14/224
D725,076 S *	3/2015	Wong	D14/216	D741,296 S *	10/2015	Park	D14/207
				2015/0036863 A1 *	2/2015	Wen	F21K 9/1355 381/386

* cited by examiner

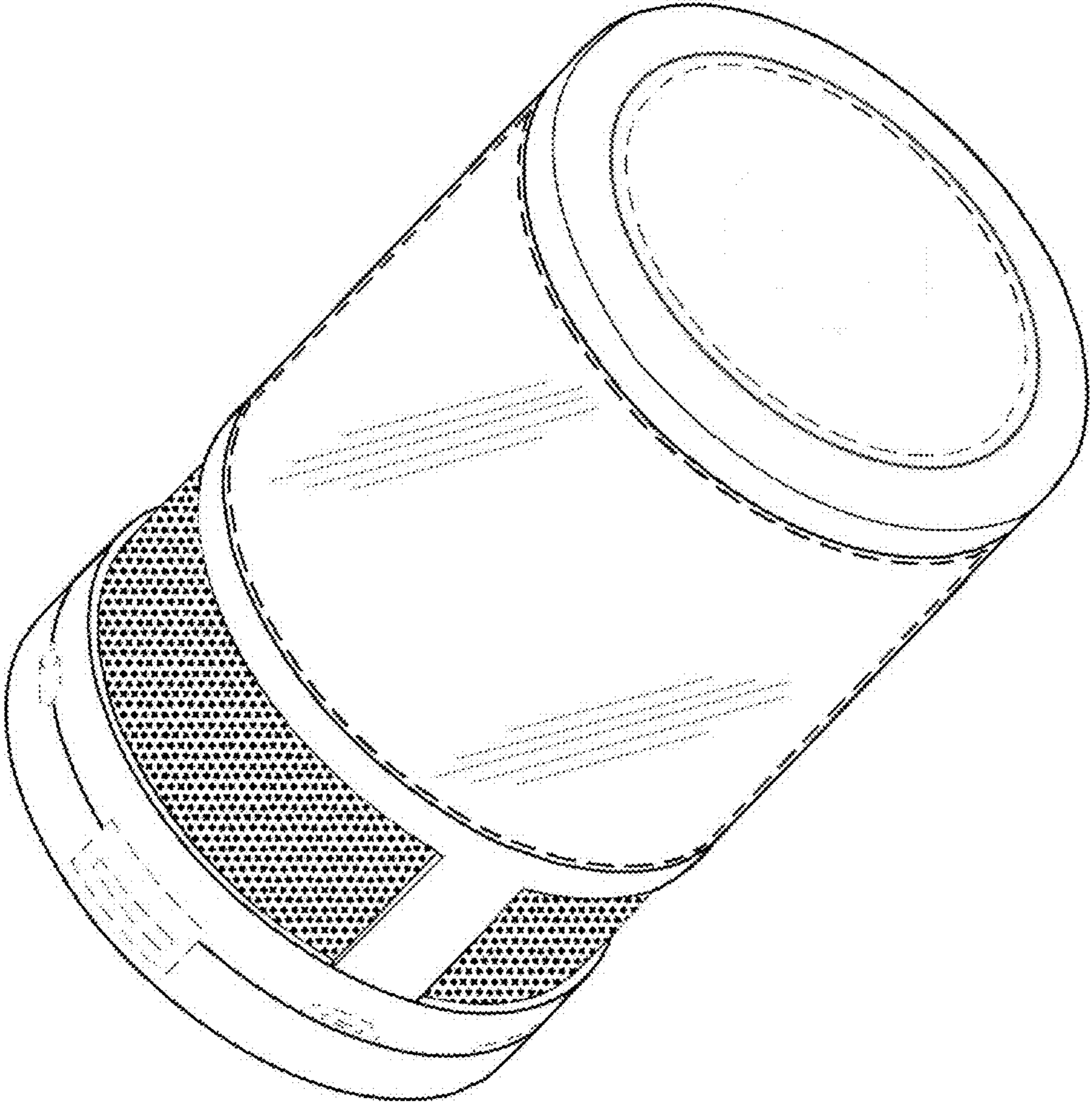


FIG. 1

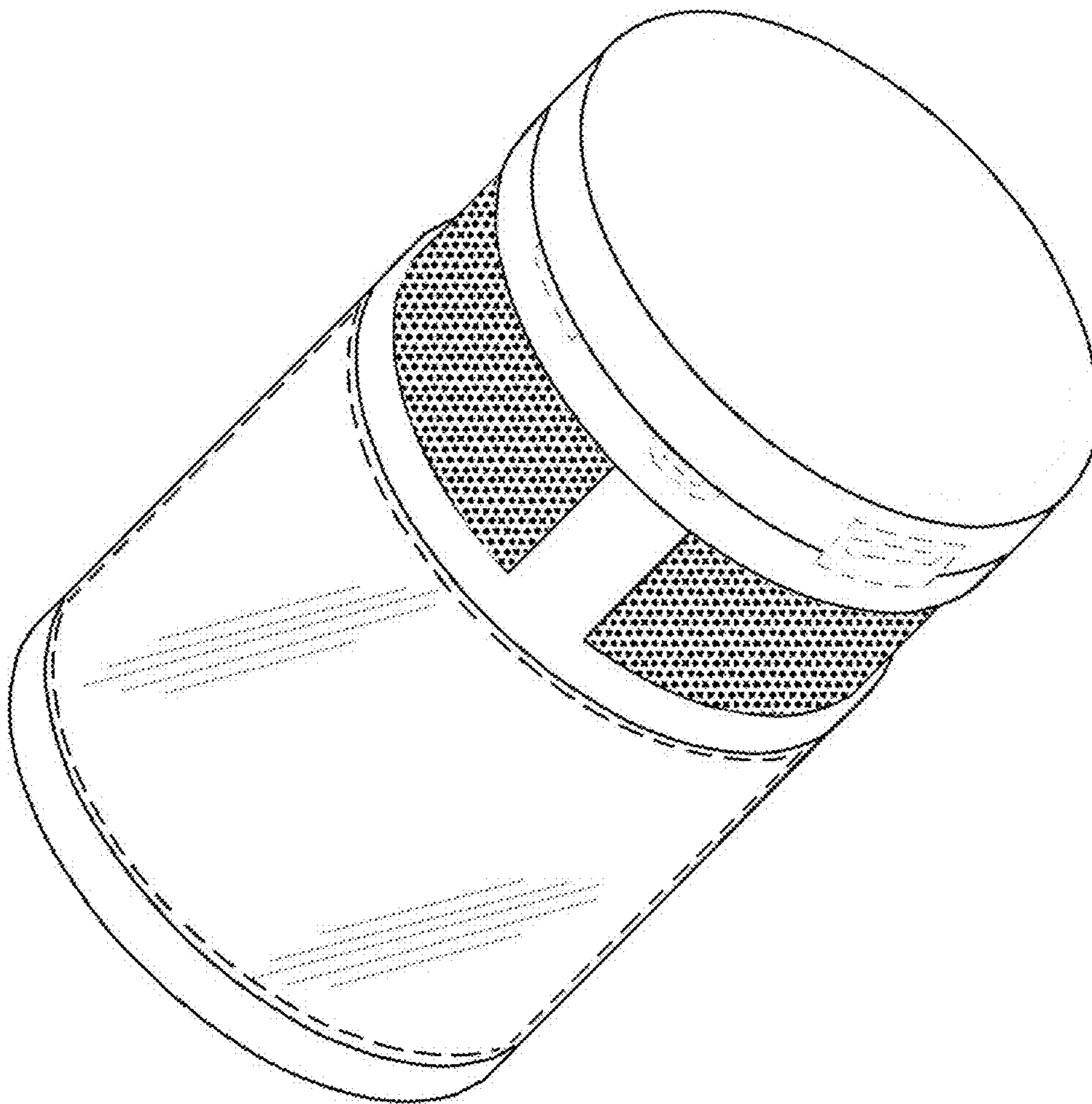


FIG. 2

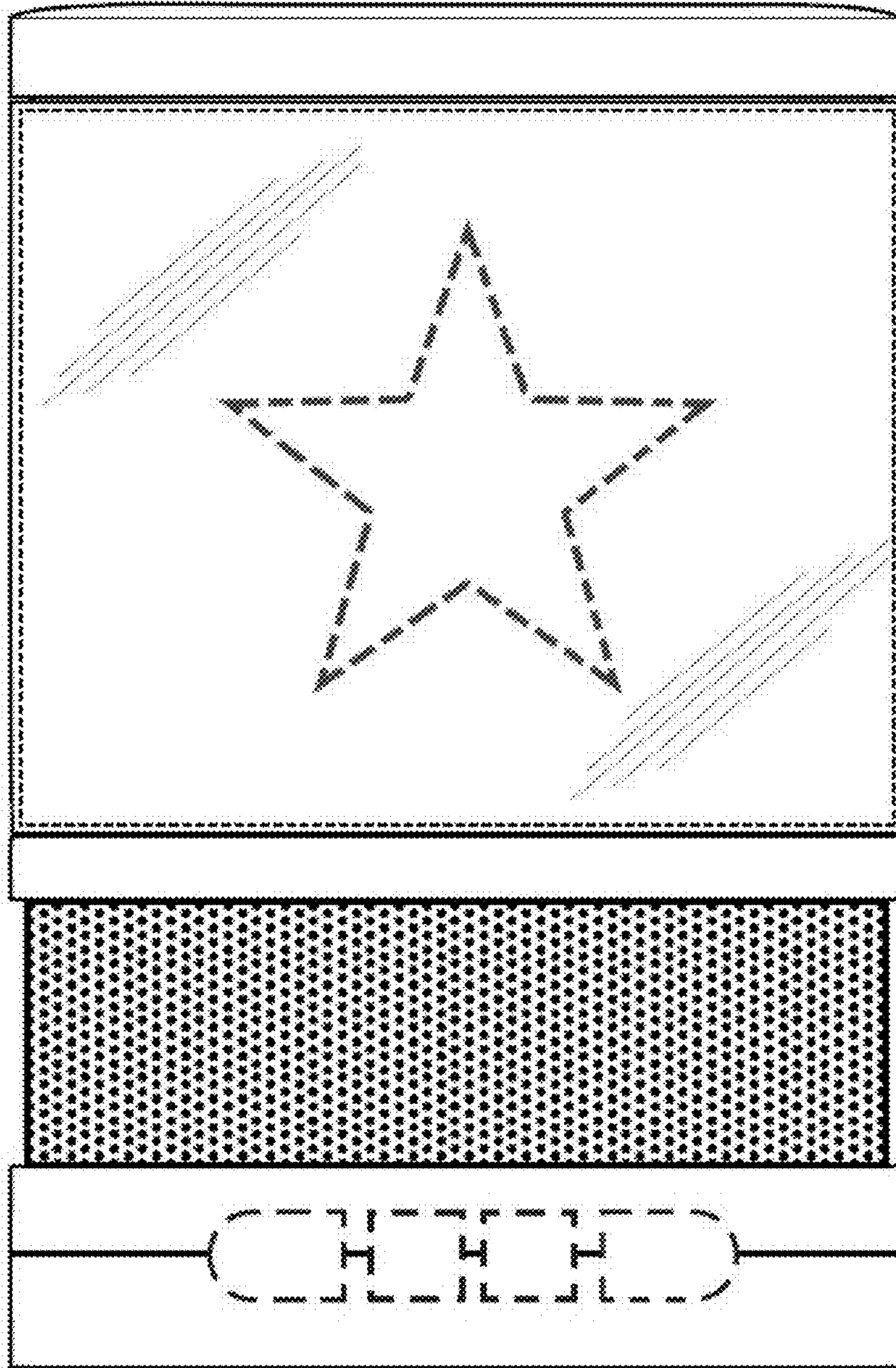


FIG. 3

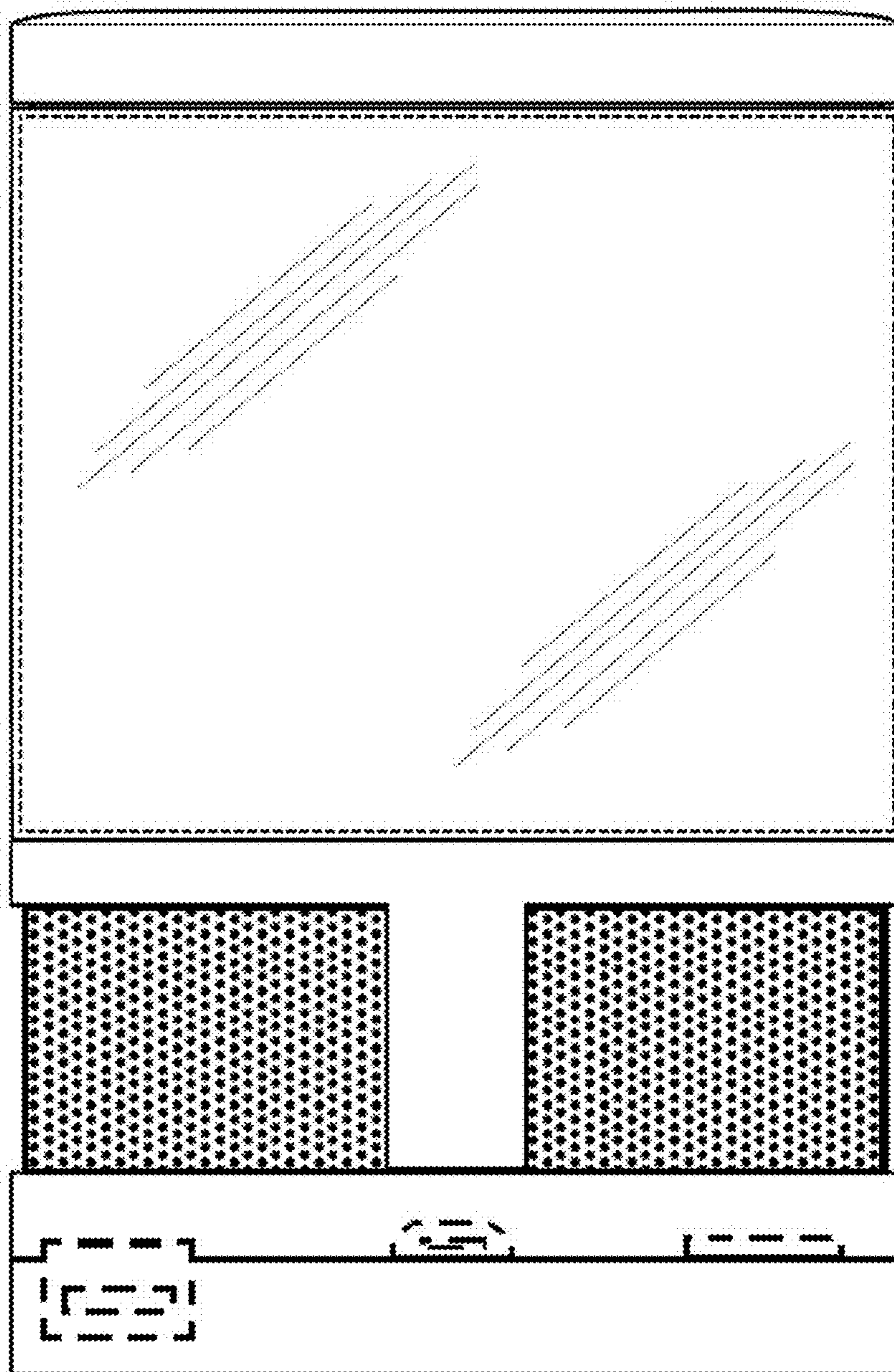


FIG. 4

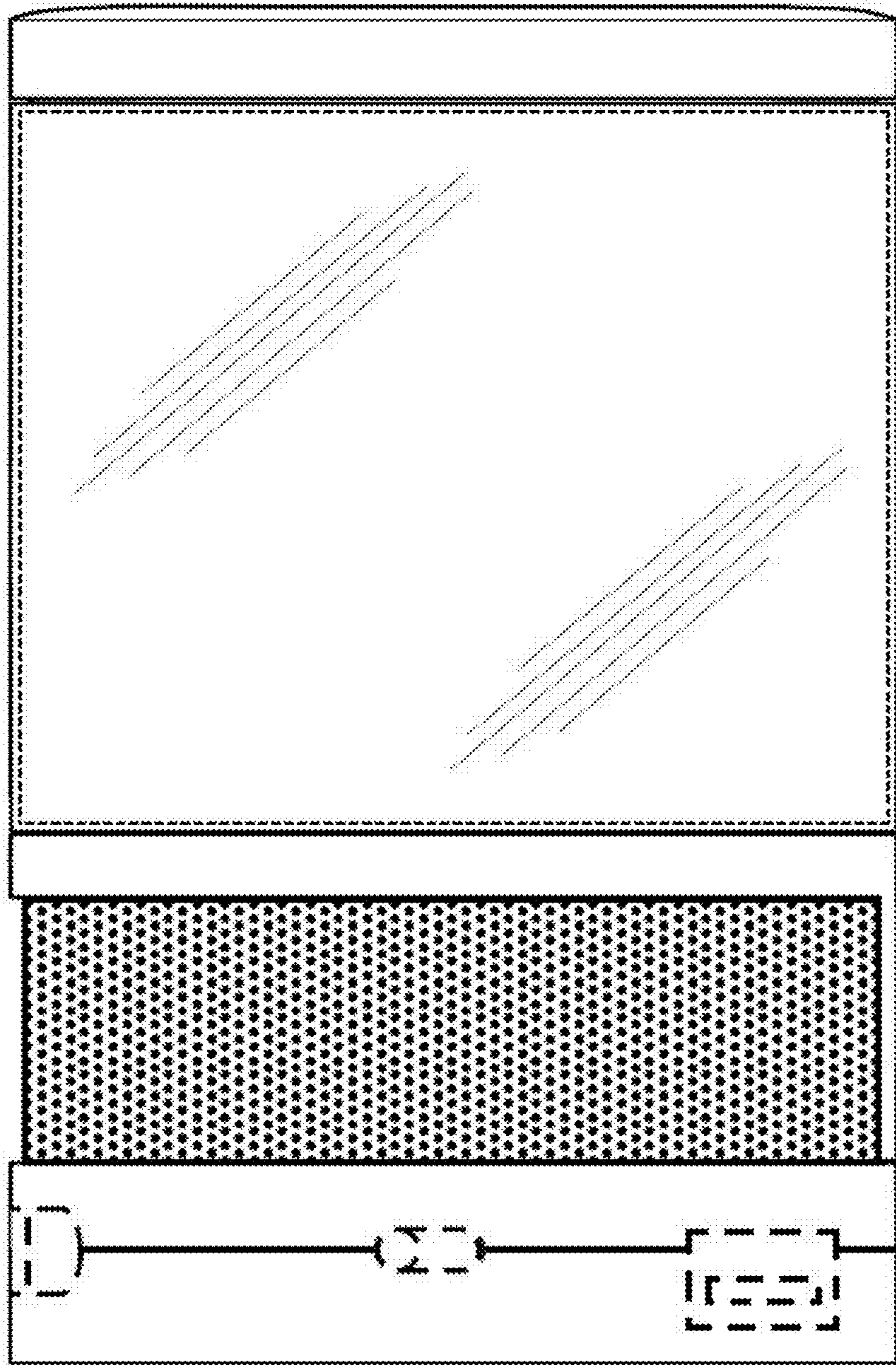


FIG. 5

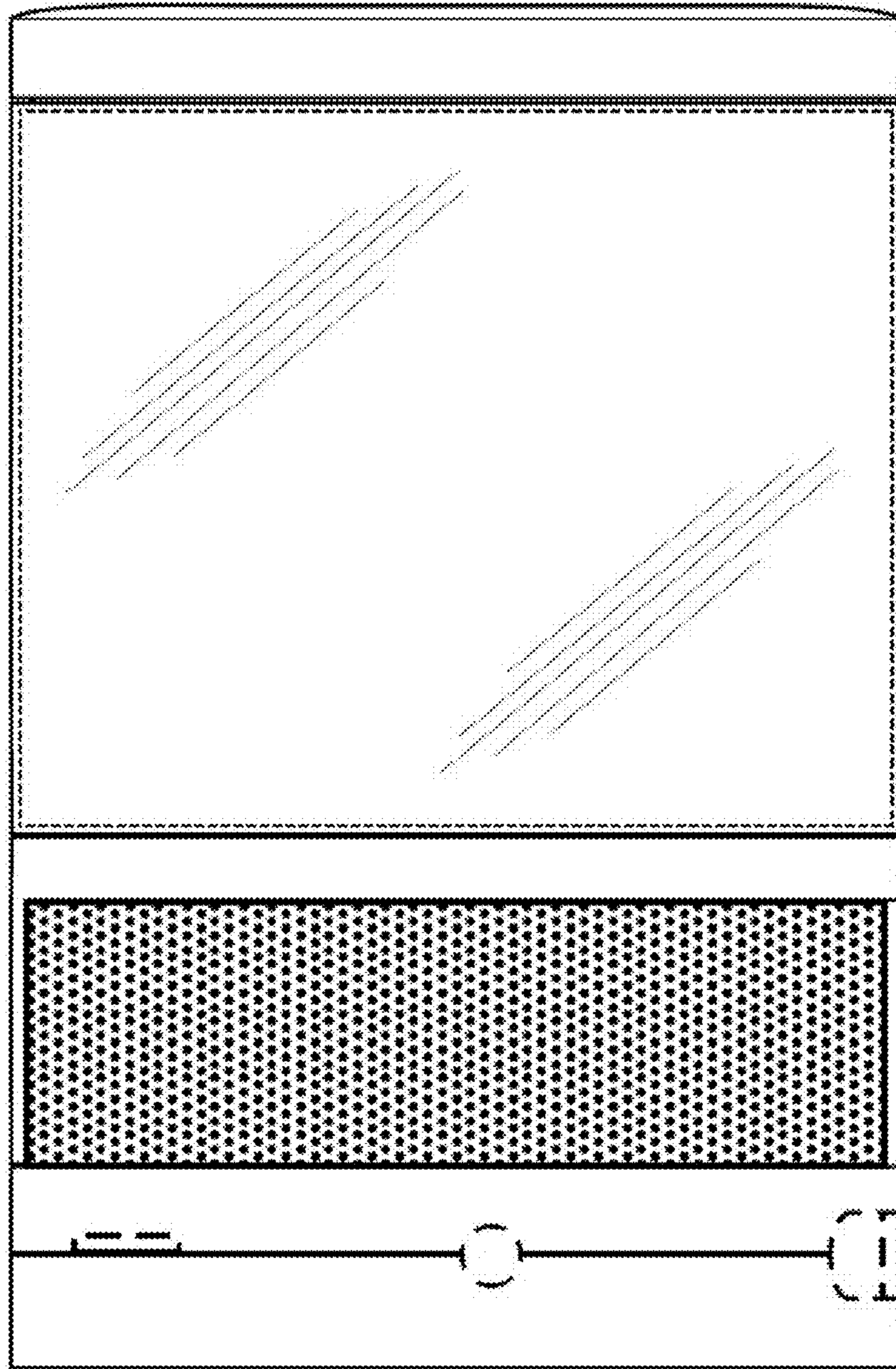


FIG. 6

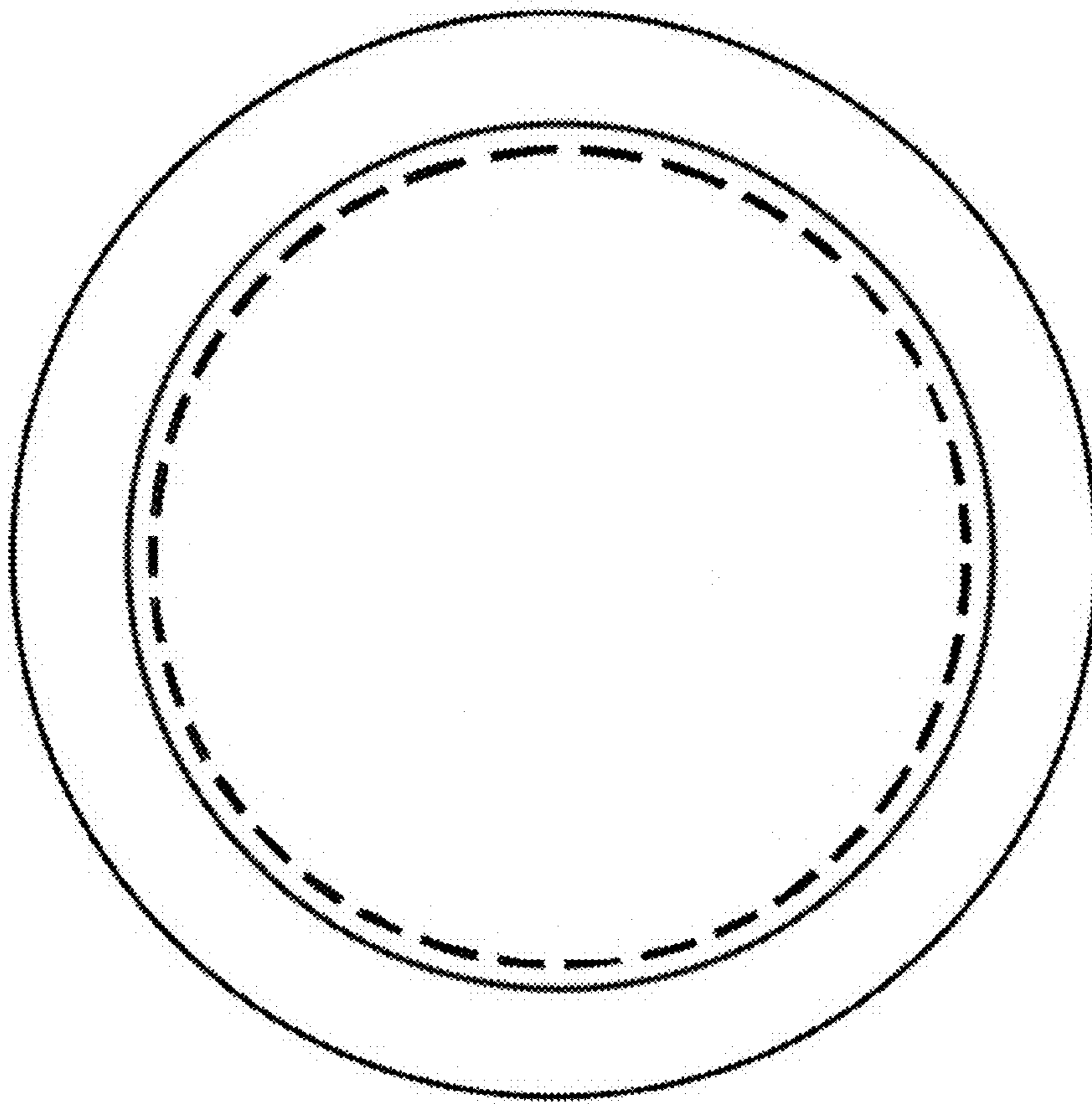


FIG. 7

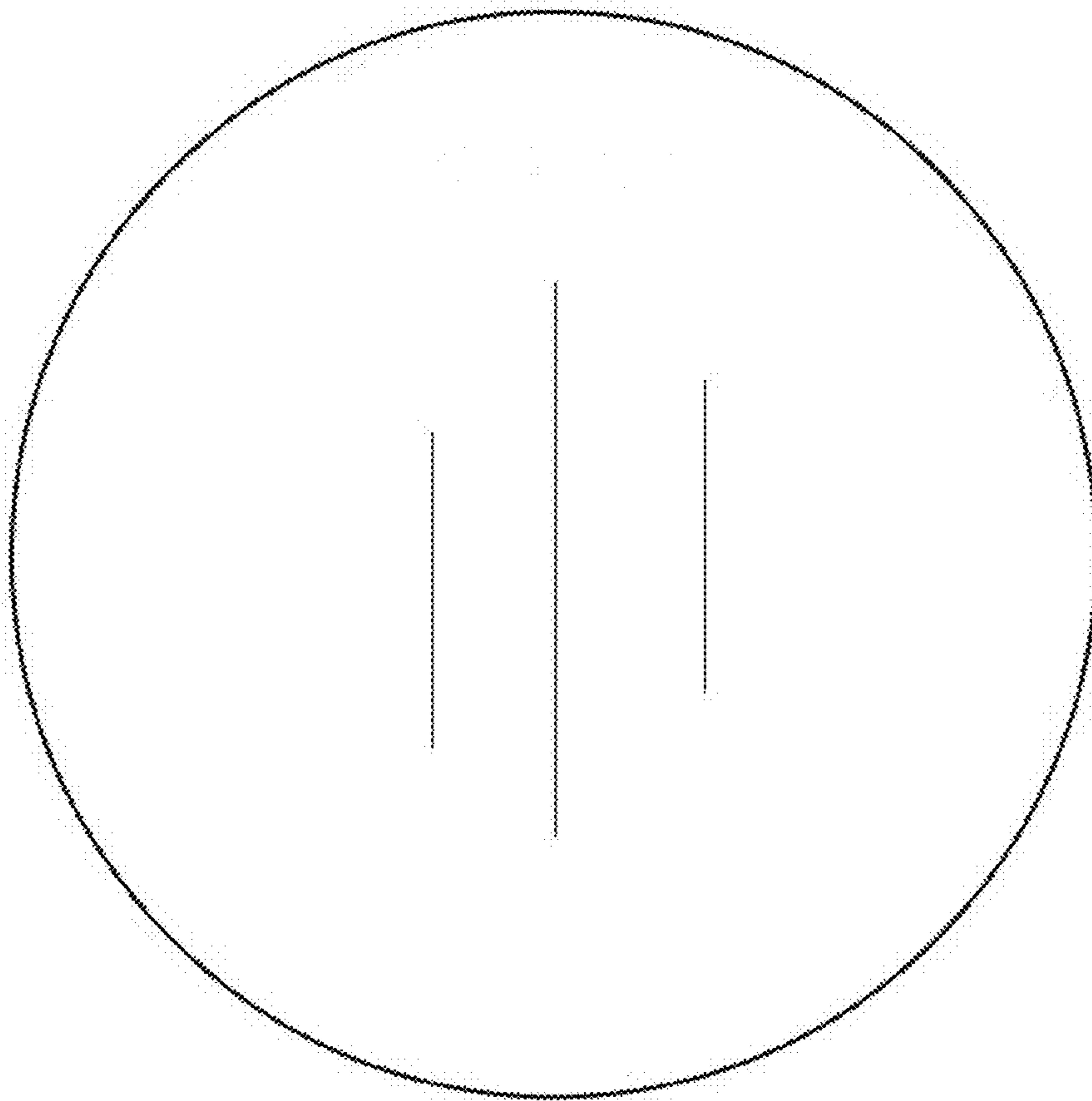


FIG. 8

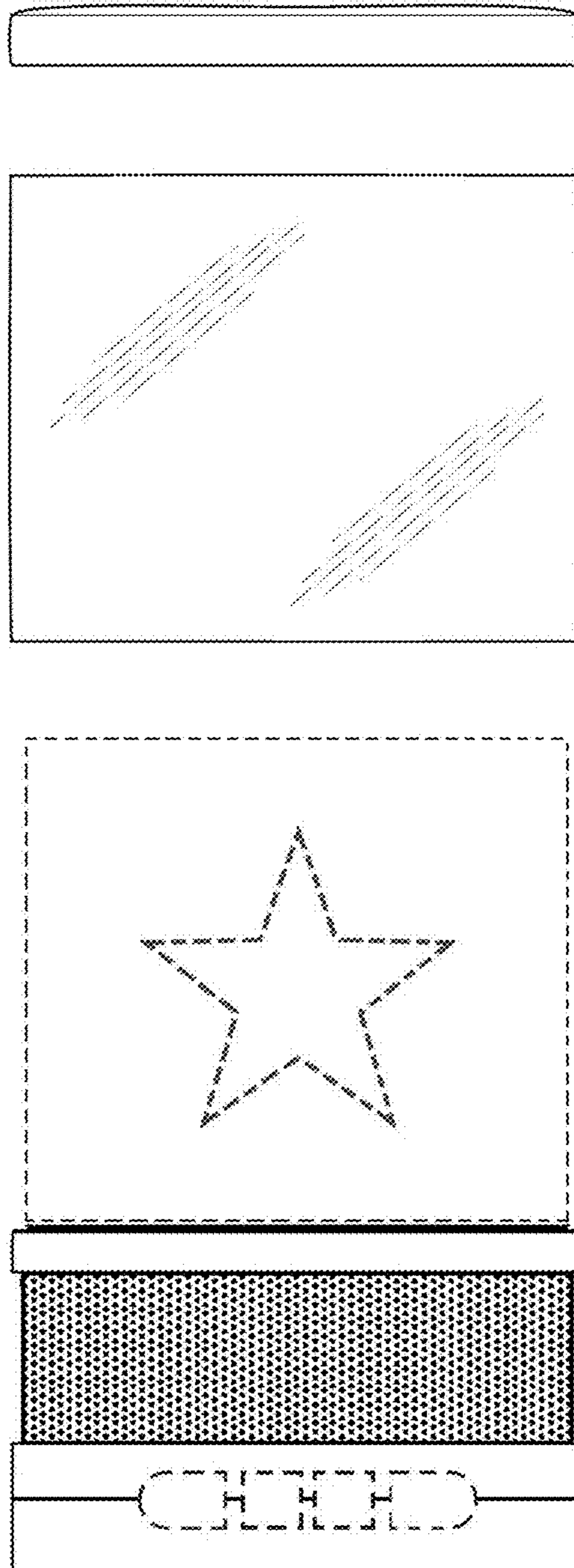


FIG. 9