



US00D771018S

(12) **United States Design Patent**
Espinosa et al.

(10) **Patent No.:** **US D771,018 S**

(45) **Date of Patent:** **** Nov. 8, 2016**

(54) **LOUDSPEAKER**

(71) Applicant: **Meyer Sound Laboratories, Incorporated, Berkeley, CA (US)**

(72) Inventors: **Pablo Espinosa, Pleasanton, CA (US); Michael Schneider, Emeryville, CA (US); Paul Bunning, Berkeley, CA (US); Jon M. Arneson, Napa, CA (US)**

(73) Assignee: **Meyer Sound Laboratories, Incorporated, Berkeley, CA (US)**

(**) Term: **15 Years**

(21) Appl. No.: **29/538,333**

(22) Filed: **Sep. 2, 2015**

(51) **LOC (10) Cl.** **14-03**

(52) **U.S. Cl.**
USPC **D14/214**

(58) **Field of Classification Search**

USPC D14/167, 168, 170-172, 188, 194-196, D14/204, 207, 209.1, 210-216, 219, 221, D14/222, 224, 239, 496; 181/143, 144, 147, 181/148, 150, 153, 157, 198, 199; 381/300-303, 306, 332, 333, 336, 345, 381/361-364, 386-388; 369/6-12
CPC ... B60R 11/0217; G06F 1/1688; G10K 9/22; G10K 11/004; H03F 1/327; H04M 1/03; H04M 1/035; H04N 5/642; H04N 21/4852; H04R 1/02; H04R 1/06; H04R 1/021; H04R 1/025; H04R 1/026; H04R 1/028; H04R 1/105; H04R 1/323; H04R 1/403; H04R 1/2803; H04R 1/2834; H04R 5/02; H04R 7/20; H04R 9/06; H04R 9/025; H04R 2201/021; H04R 2400/00; H04R 2400/07; H04R 2499/11; H04R 2499/13; H04R 2499/15; H04S 3/00; H04S 7/30

See application file for complete search history.

(56) **References Cited**

U.S. PATENT DOCUMENTS

3,143,182 A * 8/1964 Sears H04R 1/2811
181/153
D641,339 S * 7/2011 Miller D14/214
D676,827 S * 2/2013 Desrosiers D14/204

(Continued)

OTHER PUBLICATIONS

“USW-1P: Compact Subwoofer,” Meyer Sound Ultraseries Datasheet, 2005.

(Continued)

Primary Examiner — Keli L Hill

(74) *Attorney, Agent, or Firm* — Beeson Skinner Beverly, LLP

(57) **CLAIM**

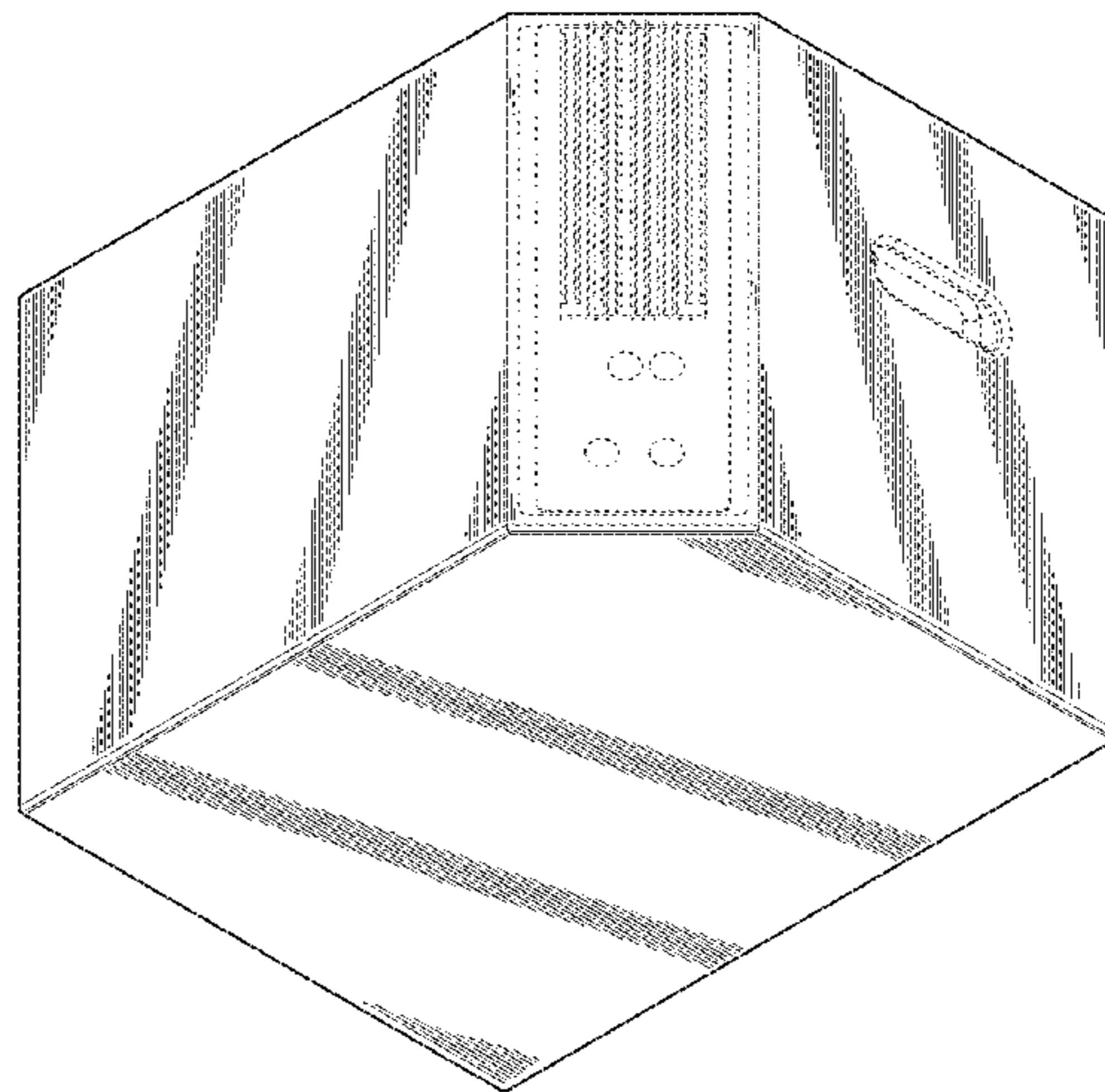
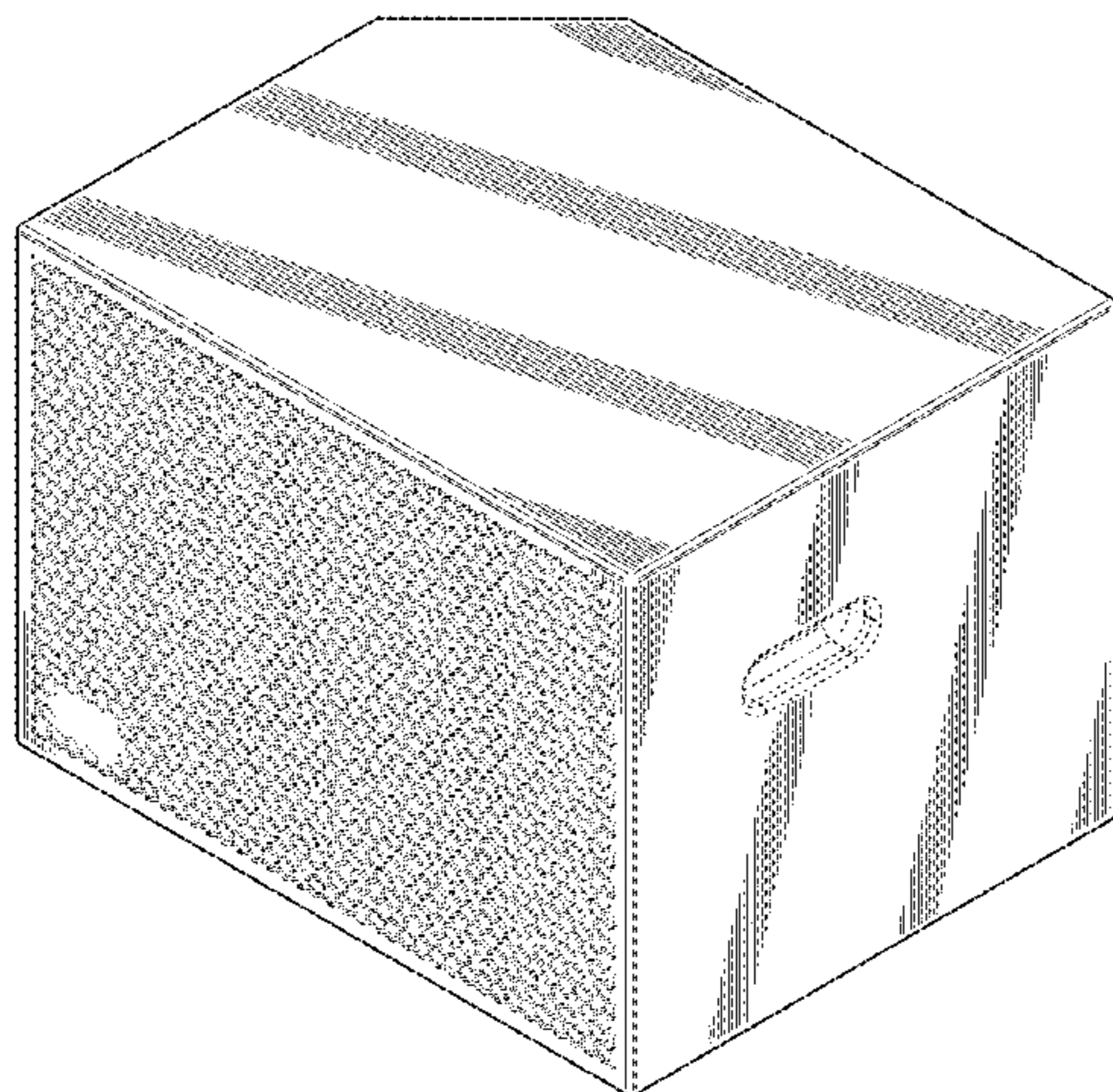
The ornamental design for a loudspeaker, as shown and described.

DESCRIPTION

FIG. 1 is a top front perspective view of a loudspeaker showing our new design; FIG. 2 is a bottom rear perspective view thereof; FIG. 3 is a front elevational view thereof; FIG. 4 is a right side elevational view thereof; FIG. 5 is a rear elevational view thereof; FIG. 6 is a left side elevational view thereof; FIG. 7 is a top plan view thereof; and, FIG. 8 is a bottom plan view thereof.

The broken line grid pattern shown in FIGS. 1 and 3 represents a loudspeaker grill; the broken line openings in the sides of the loudspeaker shown in FIGS. 1, 2, 4 and 6 represent handle openings; and the broken line structure on the rear angled corner of the loudspeaker shown in FIGS. 2 and 5-8 represents the back of an electronic package for the loudspeaker. The broken line structures form no part of the claimed design.

1 Claim, 5 Drawing Sheets



(56)

References Cited

U.S. PATENT DOCUMENTS

D707,202 S * 6/2014 McManigal D14/214
D710,332 S * 8/2014 Baird D14/221
D719,930 S * 12/2014 Warden D14/214
D741,293 S * 10/2015 Baird D14/214
D742,854 S * 11/2015 Warden D14/204

OTHER PUBLICATIONS

“M1D-SUB: Ultra Compact Subwoofer,” Meyer Sound M Series Datasheet, 2006.

“X-400C: Compact Cinema Subwoofer,” Meyer Sound EXP Datasheet, 2013.

“900-LFC Compact Low-Frequency Control Element,” Meyer Sound LF Datasheet, 2015.

* cited by examiner

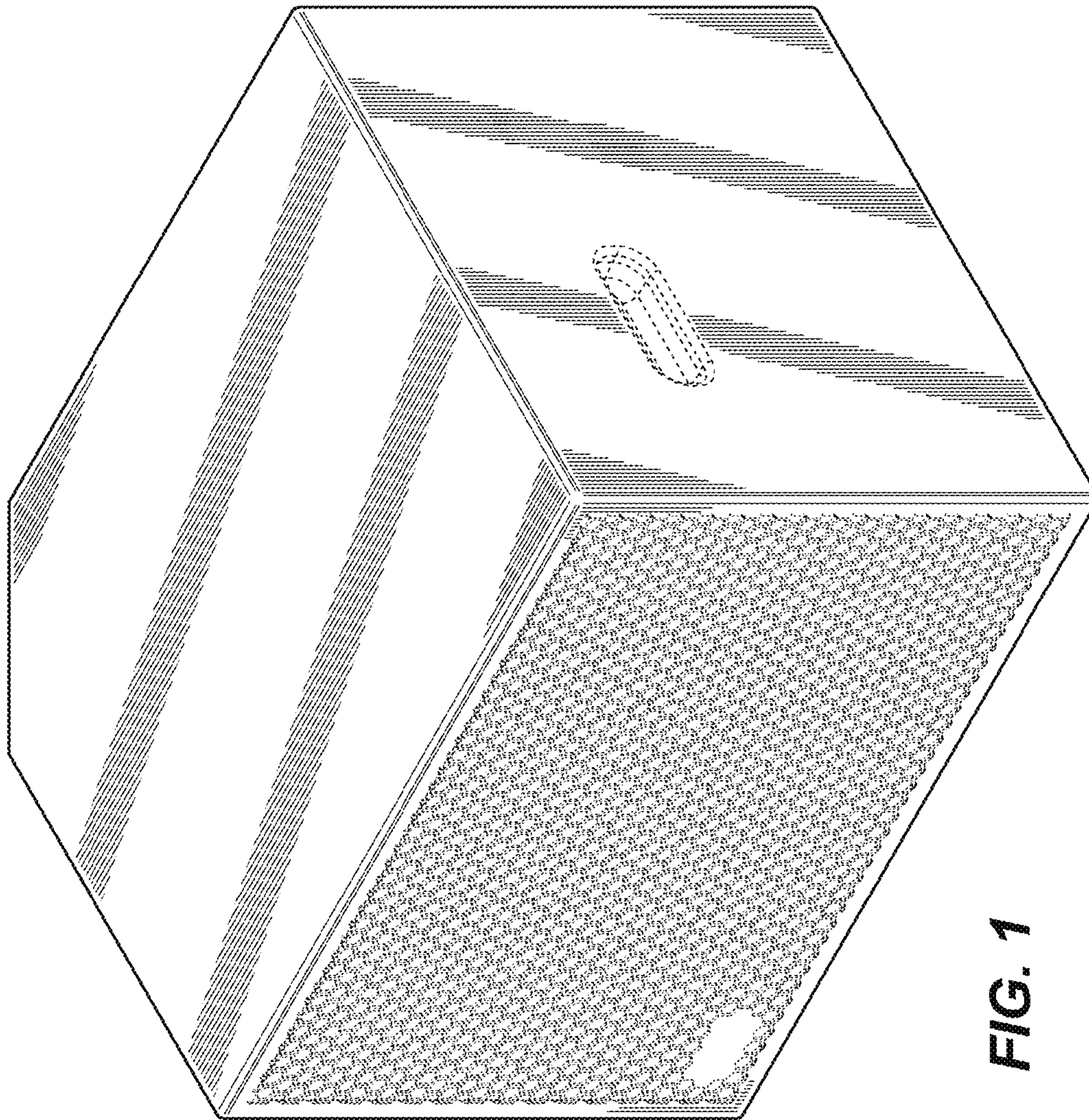


FIG. 1

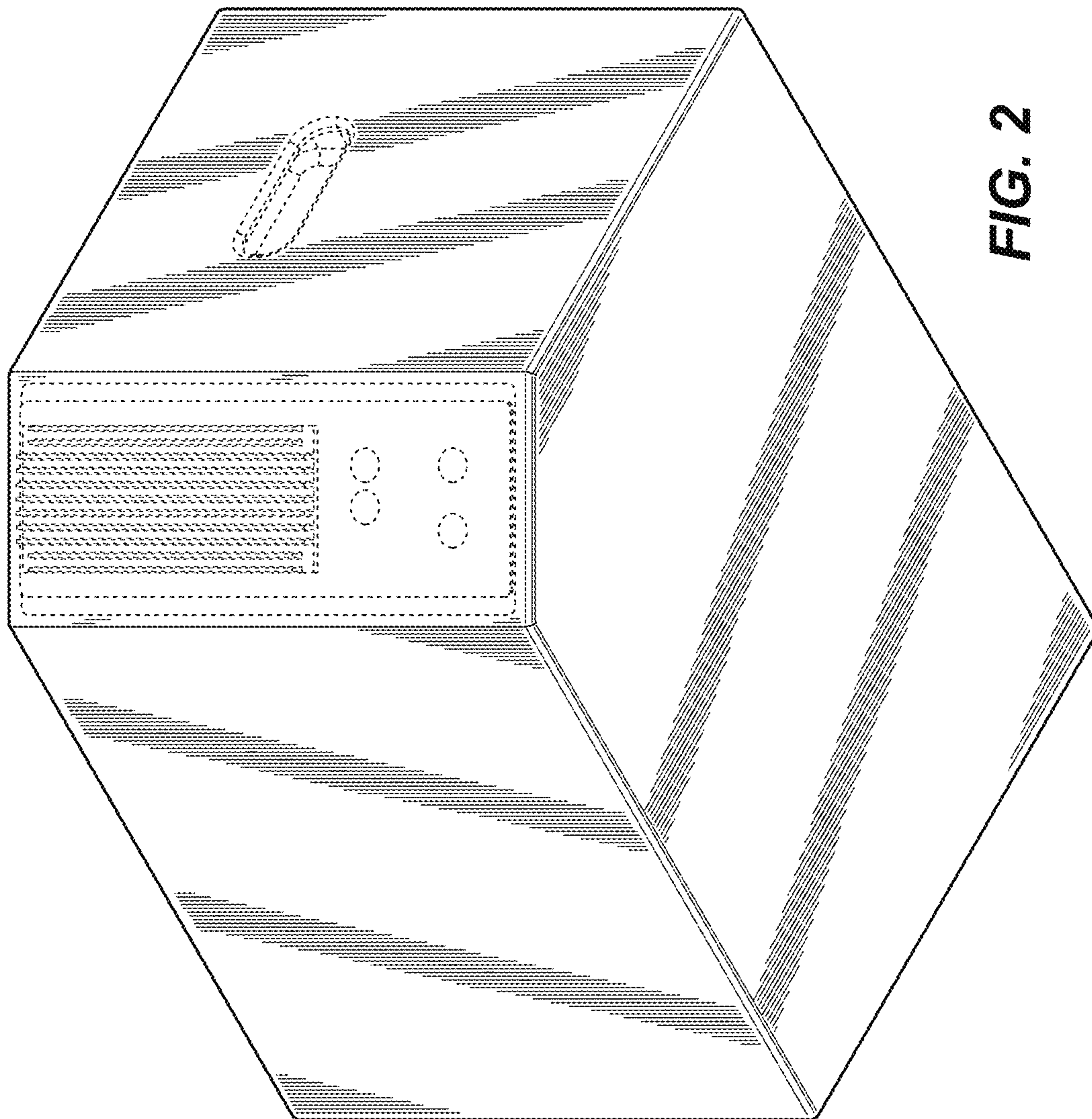


FIG. 2

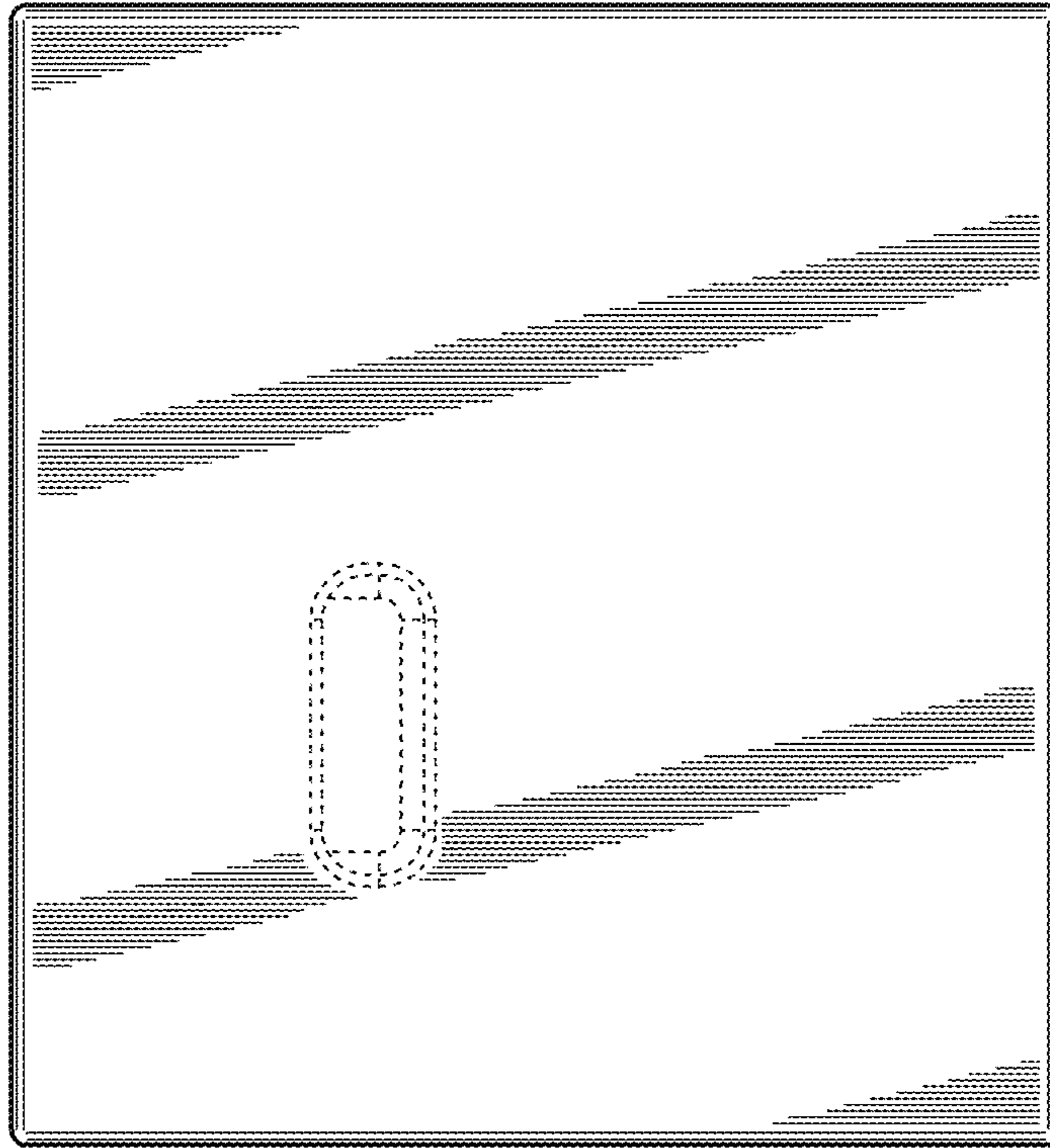


FIG. 4

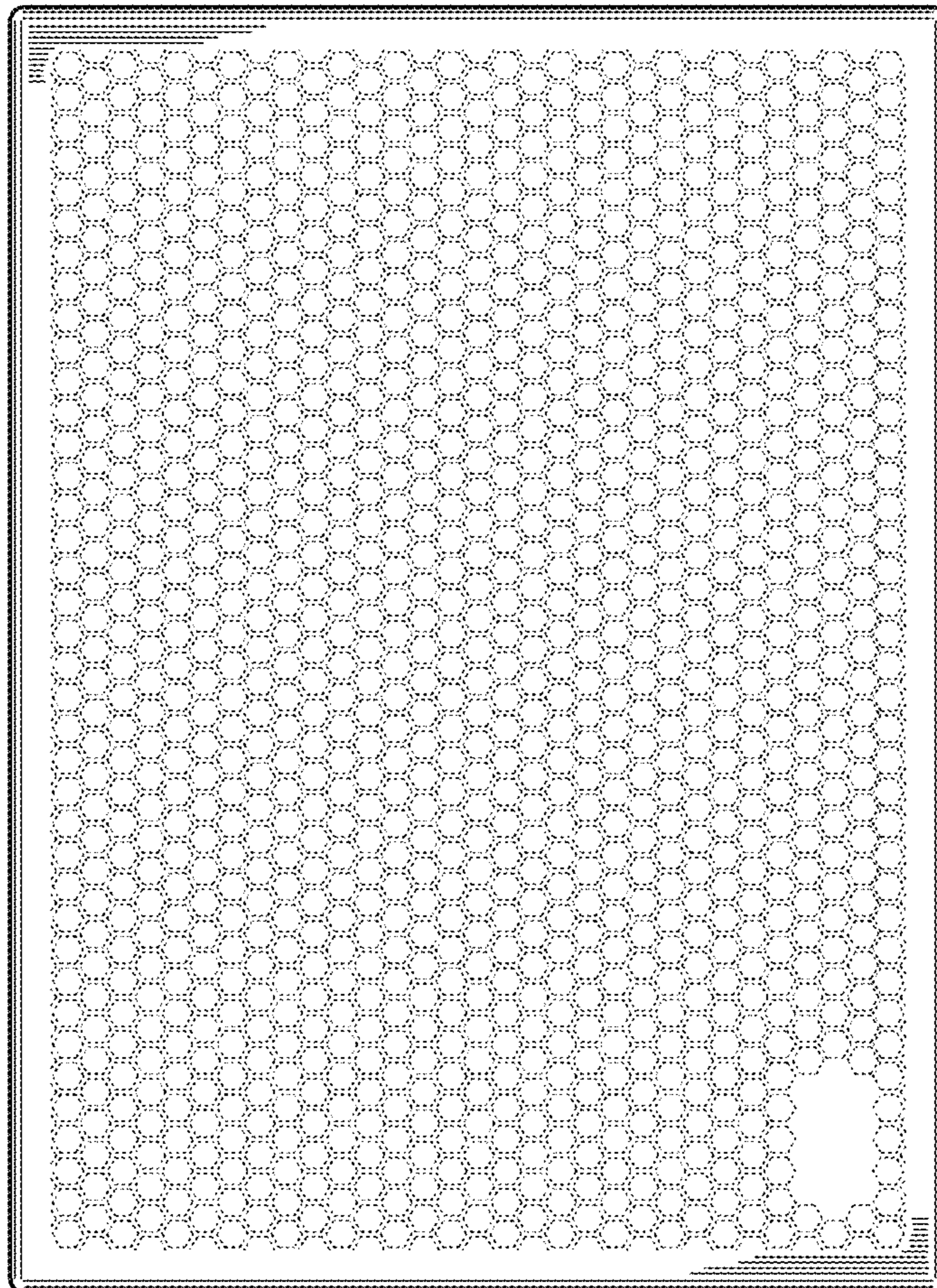


FIG. 3

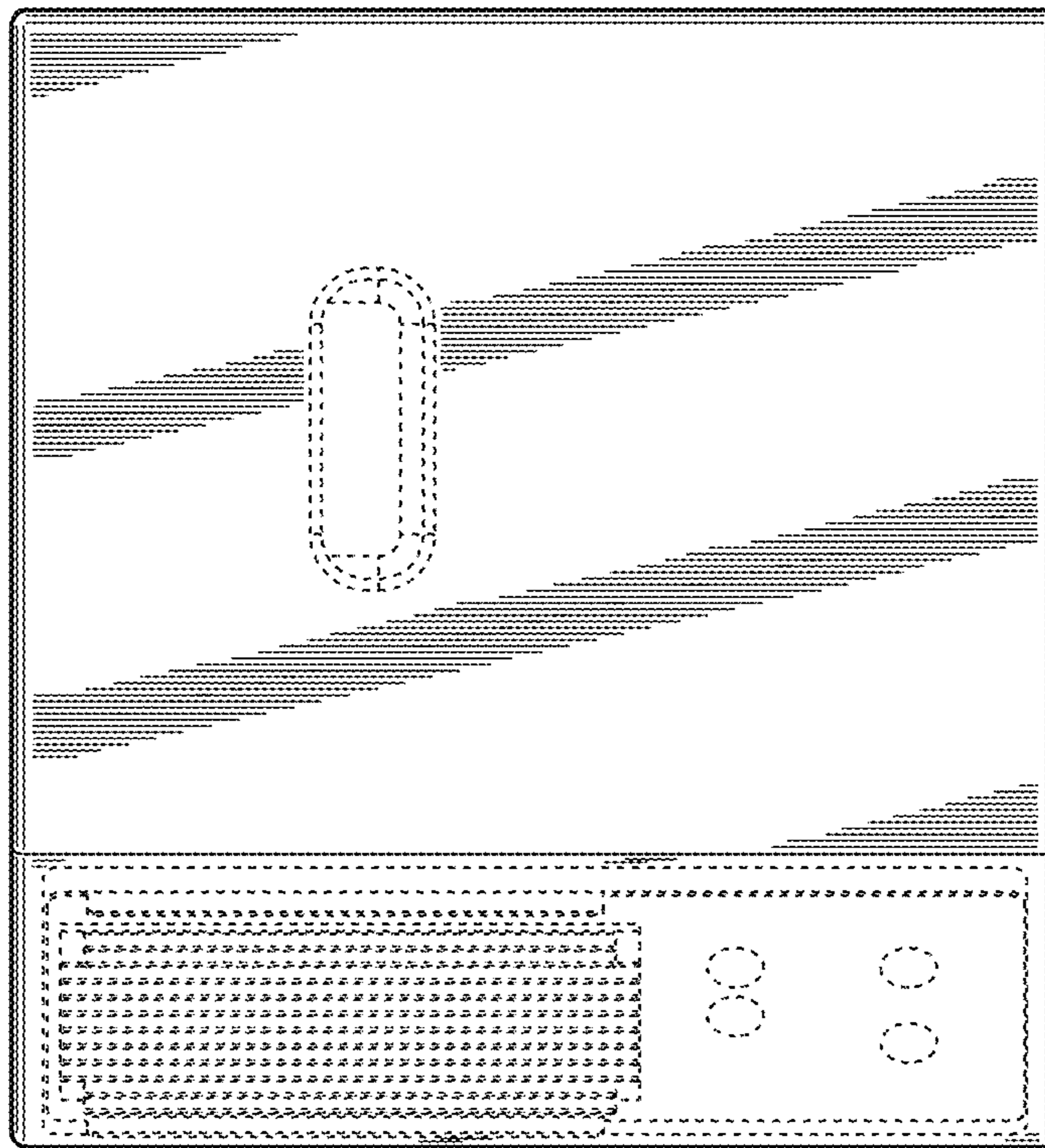


FIG. 6

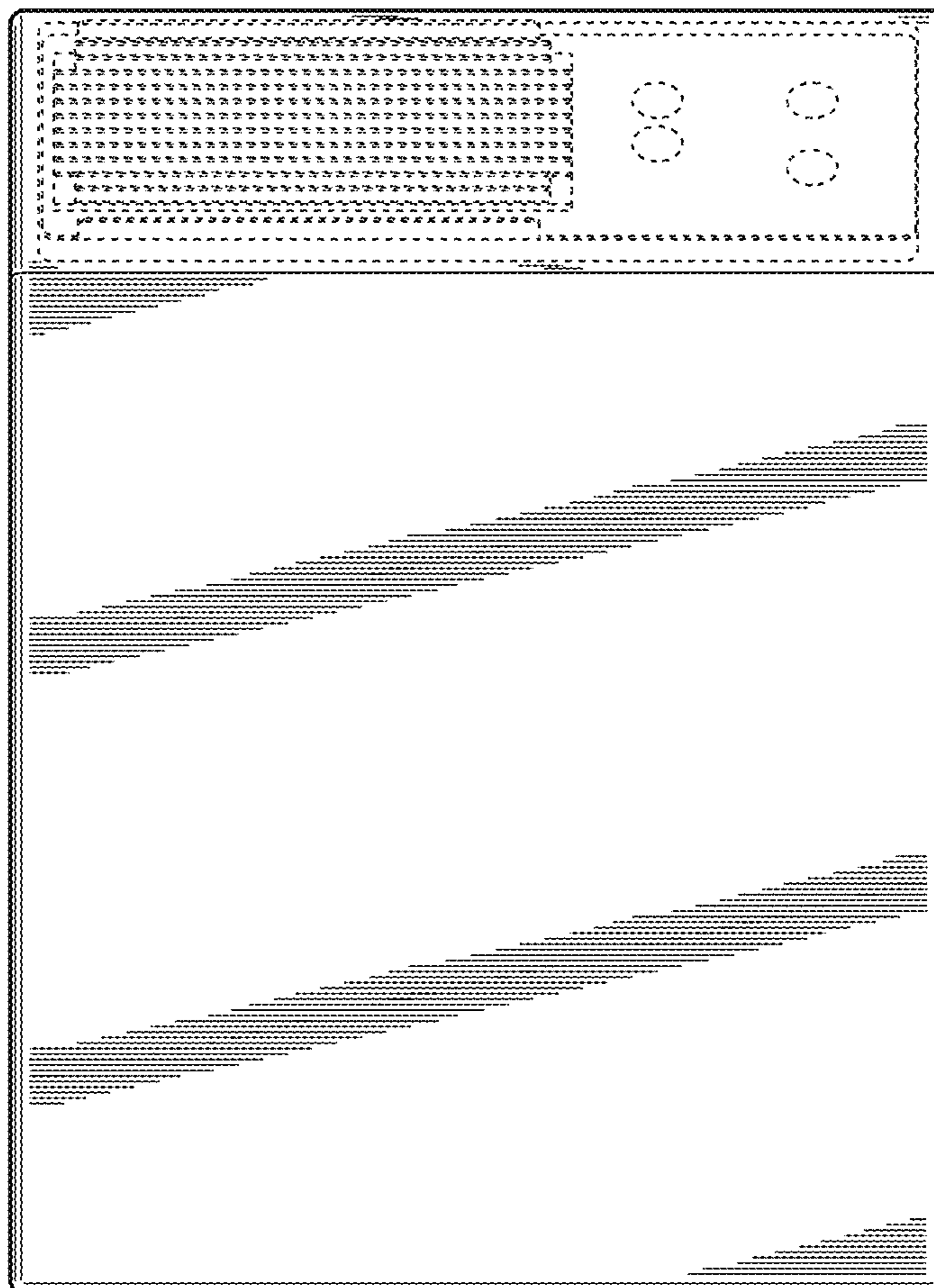


FIG. 5

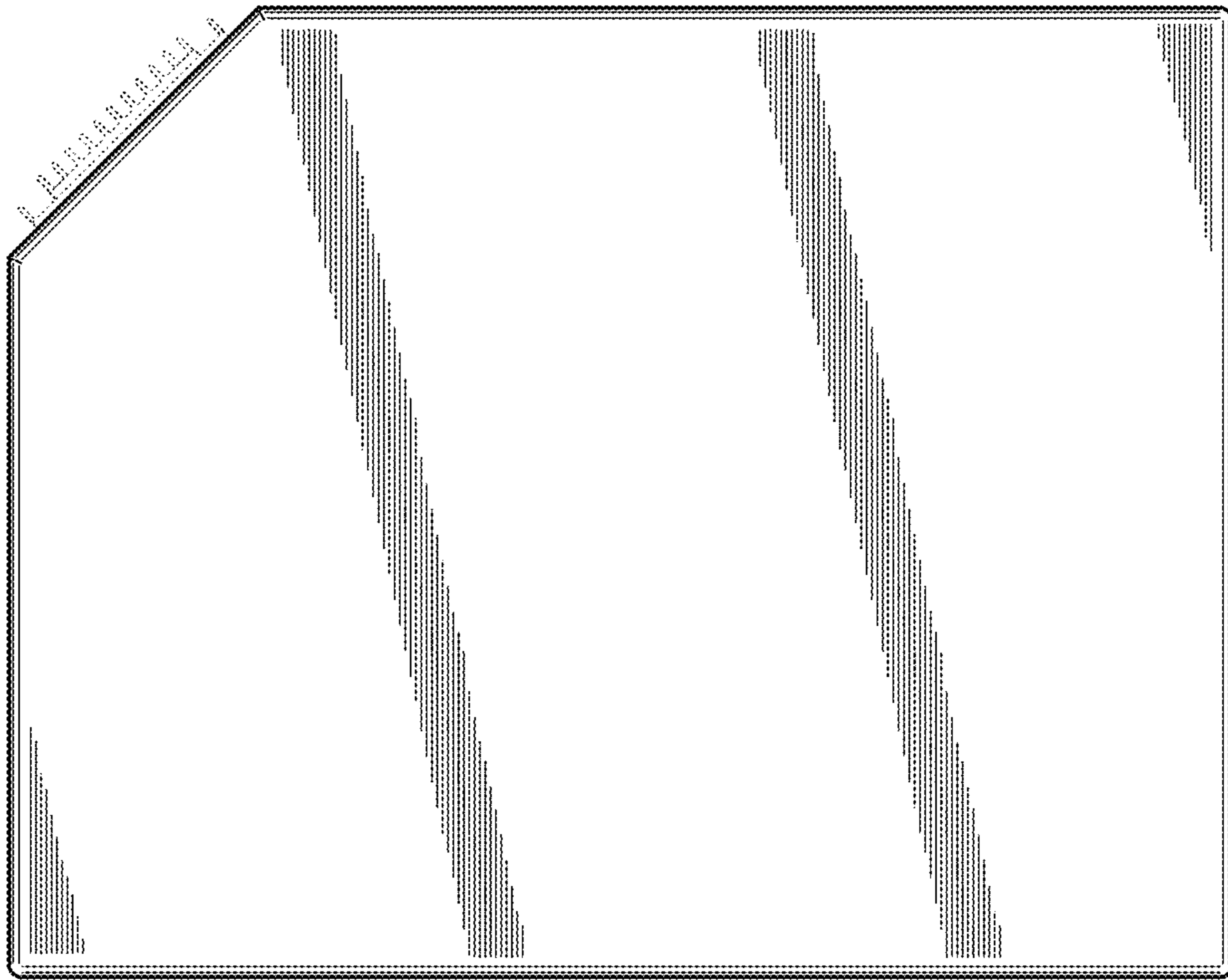


FIG. 7

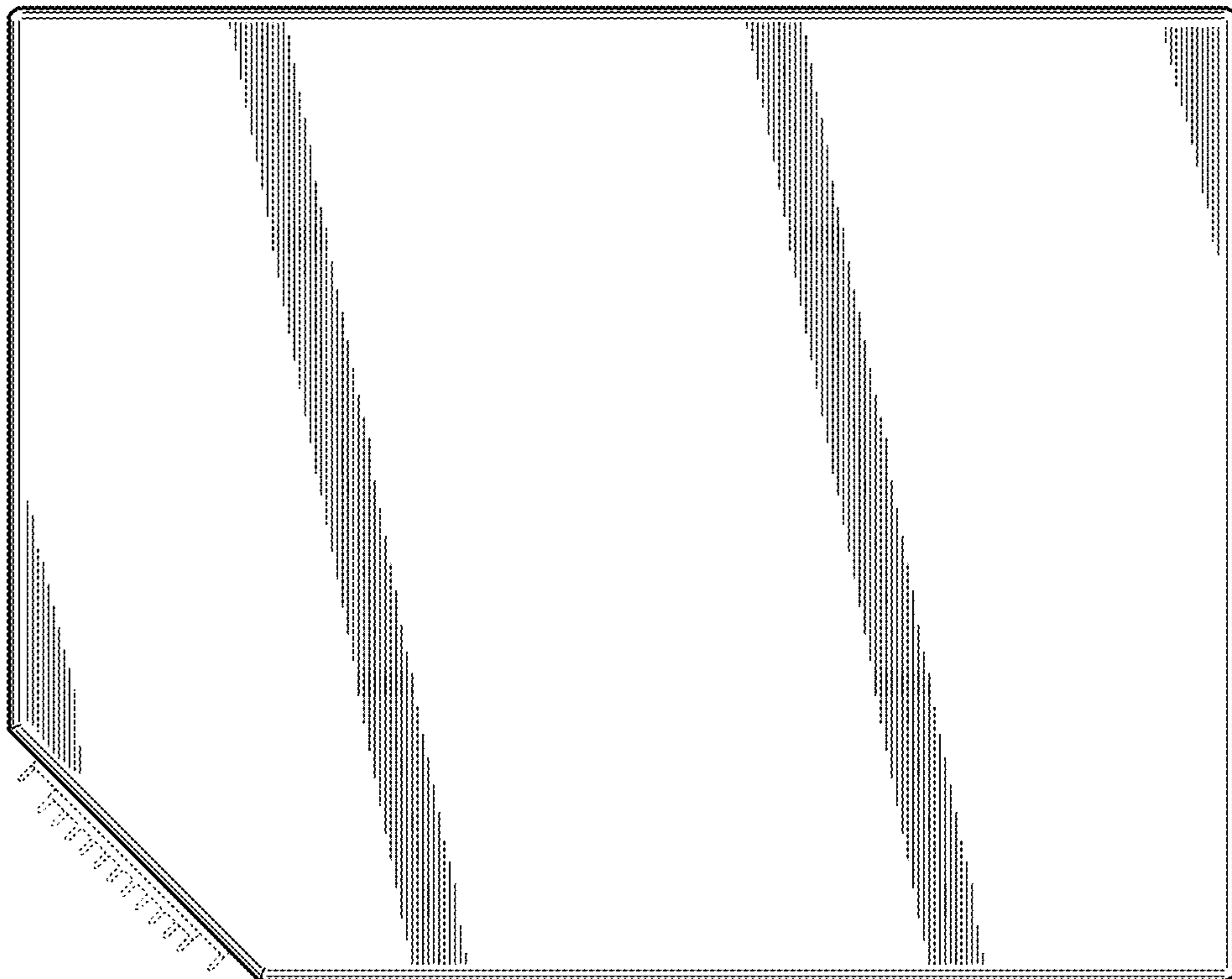


FIG. 8