



US00D771017S

(12) **United States Design Patent** (10) **Patent No.:** **US D771,017 S**  
**Sasaki et al.** (45) **Date of Patent:** **\*\* Nov. 8, 2016**

(54) **SPEAKER**

(71) Applicant: **JVC KENWOOD Corporation**,  
Yokohama-shi, Kanagawa (JP)

(72) Inventors: **Yuzuko Sasaki**, Yokohama (JP);  
**Makoto Gondo**, Yokohama (JP)

(73) Assignee: **JVC KENWOOD CORPORATION**,  
Yokohama-Shi, Kanagawa (JP)

(\*\*) Term: **15 Years**

(21) Appl. No.: **29/530,678**

(22) Filed: **Jun. 18, 2015**

(51) **LOC (10) Cl.** ..... **14-03**

(52) **U.S. Cl.**  
USPC ..... **D14/214**

(58) **Field of Classification Search**  
USPC ..... D14/167, 168, 170–172, 188, 194–196,  
D14/204, 207, 209.1, 210–216, 219, 221,  
D14/222, 224, 239, 496; 181/143, 144, 147,  
181/148, 150, 153, 157, 198, 199;  
381/300–303, 306, 332, 333, 336, 345,  
381/361–364, 386–388; 369/6–12  
CPC ... B60R 11/0217; G06F 1/1688; G10K 9/22;  
G10K 11/004; H03F 1/327; H04M 1/03;  
H04M 1/035; H04N 5/642; H04N 21/4852;  
H04R 1/02; H04R 1/06; H04R 1/021; H04R  
1/025; H04R 1/026; H04R 1/028; H04R  
1/105; H04R 1/323; H04R 1/403; H04R  
1/2803; H04R 1/2834; H04R 5/02; H04R  
7/20; H04R 9/06; H04R 9/025; H04R  
2201/021; H04R 2400/00; H04R 2400/07;  
H04R 2499/11; H04R 2499/13; H04R  
2499/15; H04S 3/00; H04S 7/30

See application file for complete search history.

(56) **References Cited**

U.S. PATENT DOCUMENTS

D275,946 S *	10/1984	Ekuan .....	D13/116
D620,923 S *	8/2010	Orfali .....	D14/168
D629,785 S *	12/2010	Yachida .....	D14/155
D674,764 S *	1/2013	Suzuki .....	D14/188
D690,738 S *	10/2013	York .....	D14/188
D692,848 S *	11/2013	Poandl .....	D14/172
D730,359 S *	5/2015	Fustino .....	D14/434
D732,080 S *	6/2015	Xin .....	D14/188

\* cited by examiner

*Primary Examiner* — Keli L Hill

(74) *Attorney, Agent, or Firm* — Nath, Goldberg &  
Meyer; Jerald L. Meyer

(57) **CLAIM**

The ornamental design for a speaker, as shown and described.

**DESCRIPTION**

FIG. 1 is a perspective of a speaker, embodying our new design;  
FIG. 2 is a front elevation view thereof;  
FIG. 3 is a rear elevation view thereof;  
FIG. 4 is a left side elevation view thereof;  
FIG. 5 is a right side elevation view thereof;  
FIG. 6 is a top plan view thereof; and,  
FIG. 7 is a bottom plan view thereof.  
The broken lines shown are included for the purpose of illustrating portions of the speaker that form no part of the claim.

**1 Claim, 7 Drawing Sheets**

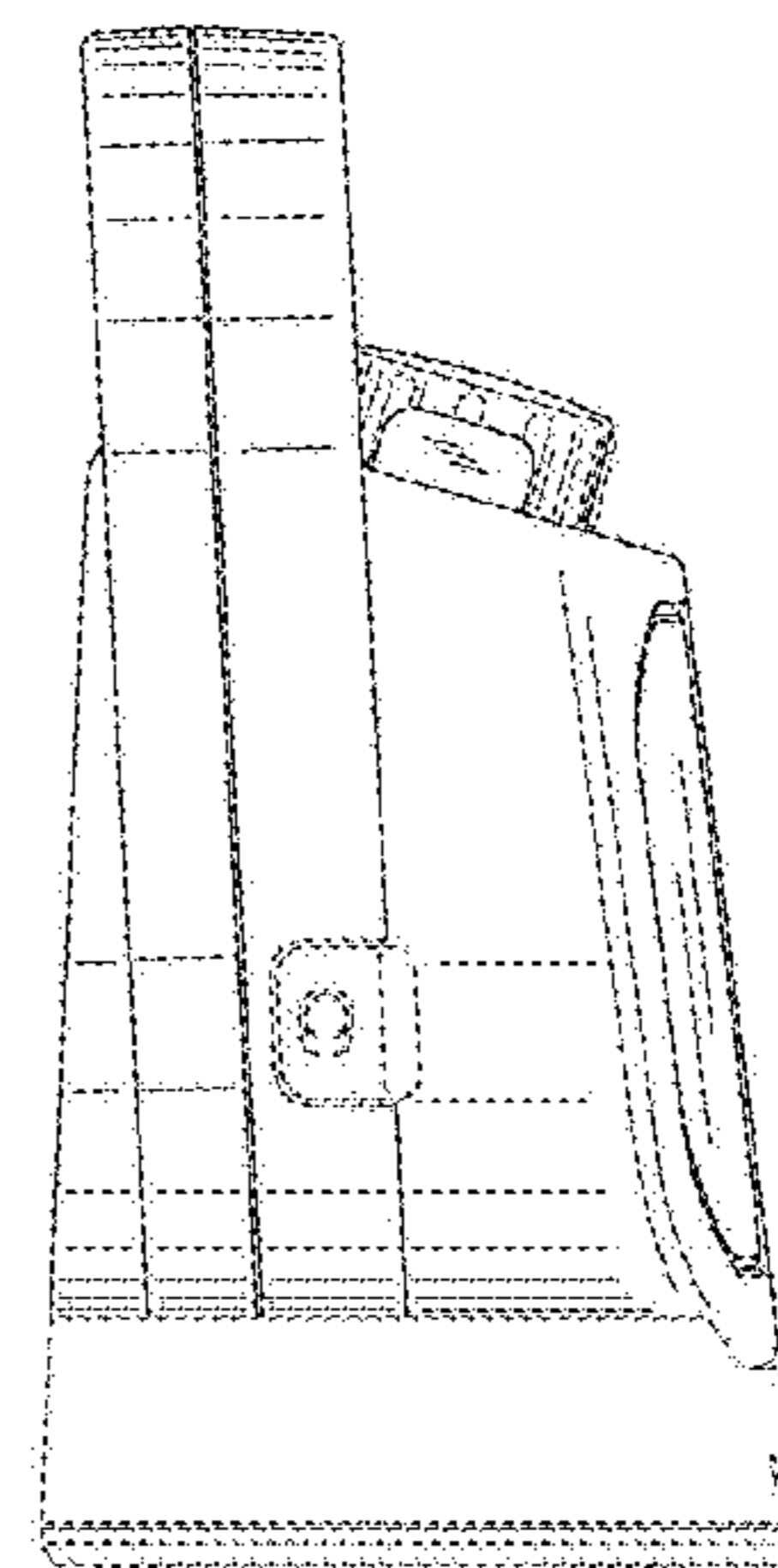
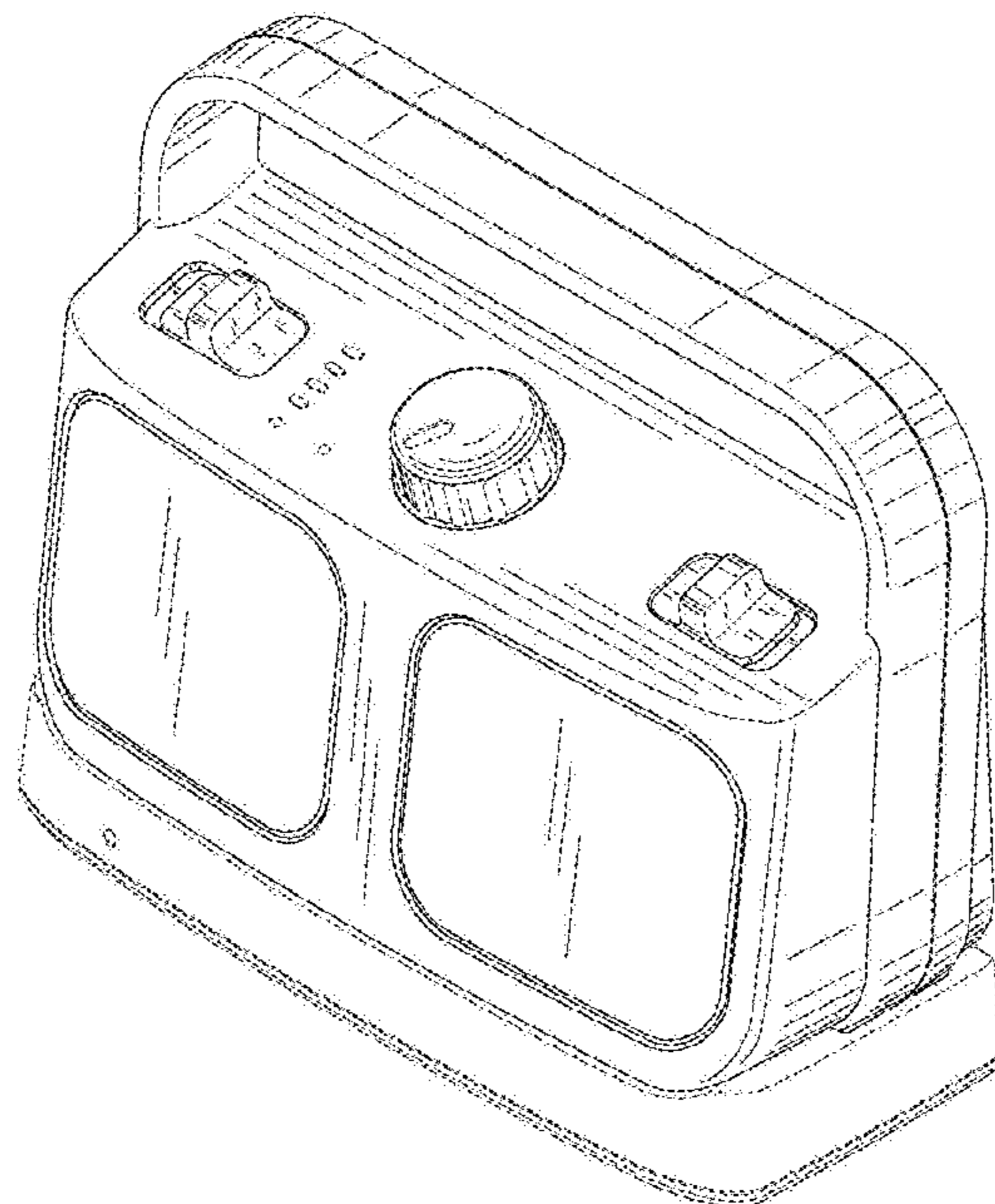


FIG. 1

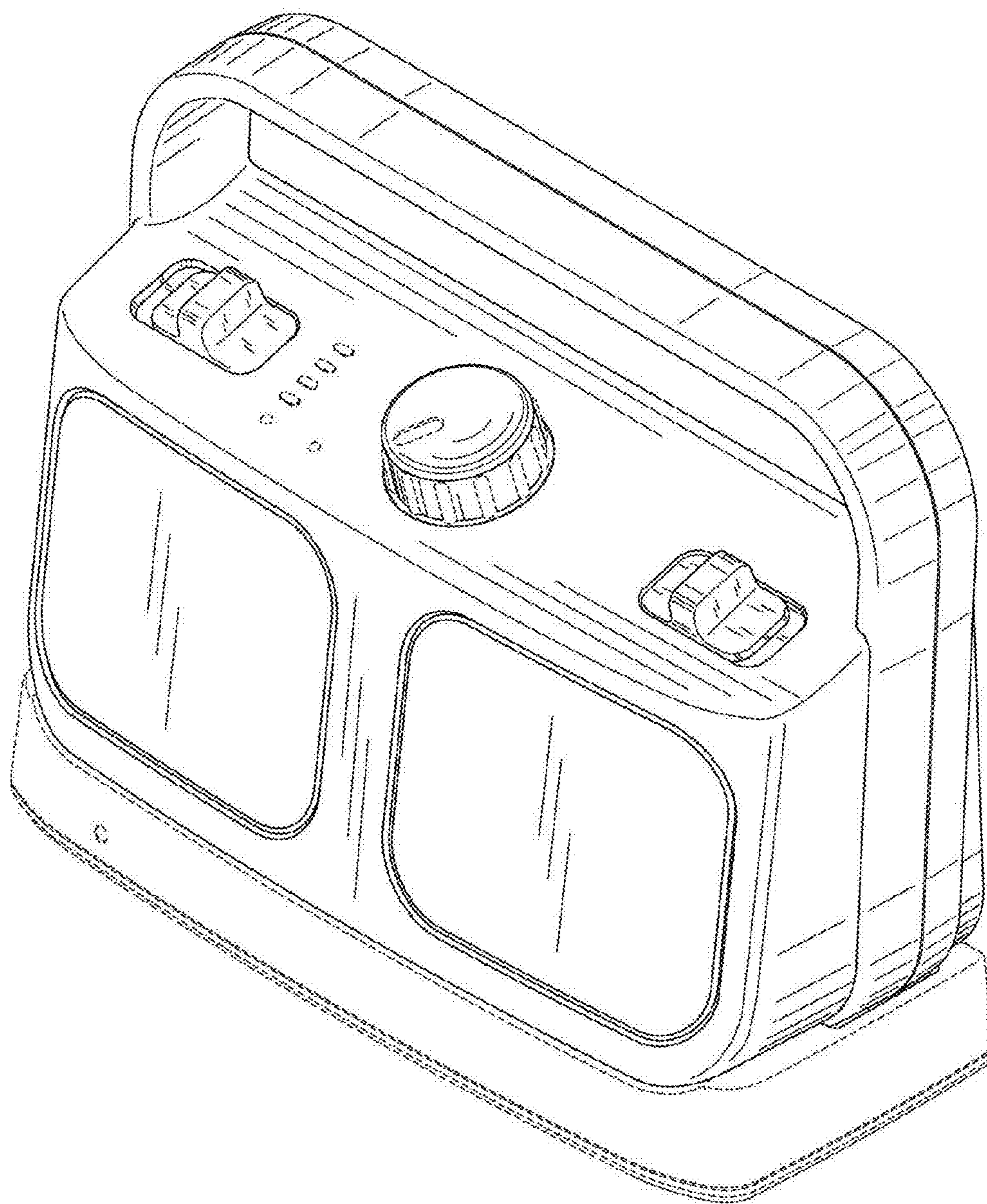


FIG. 2

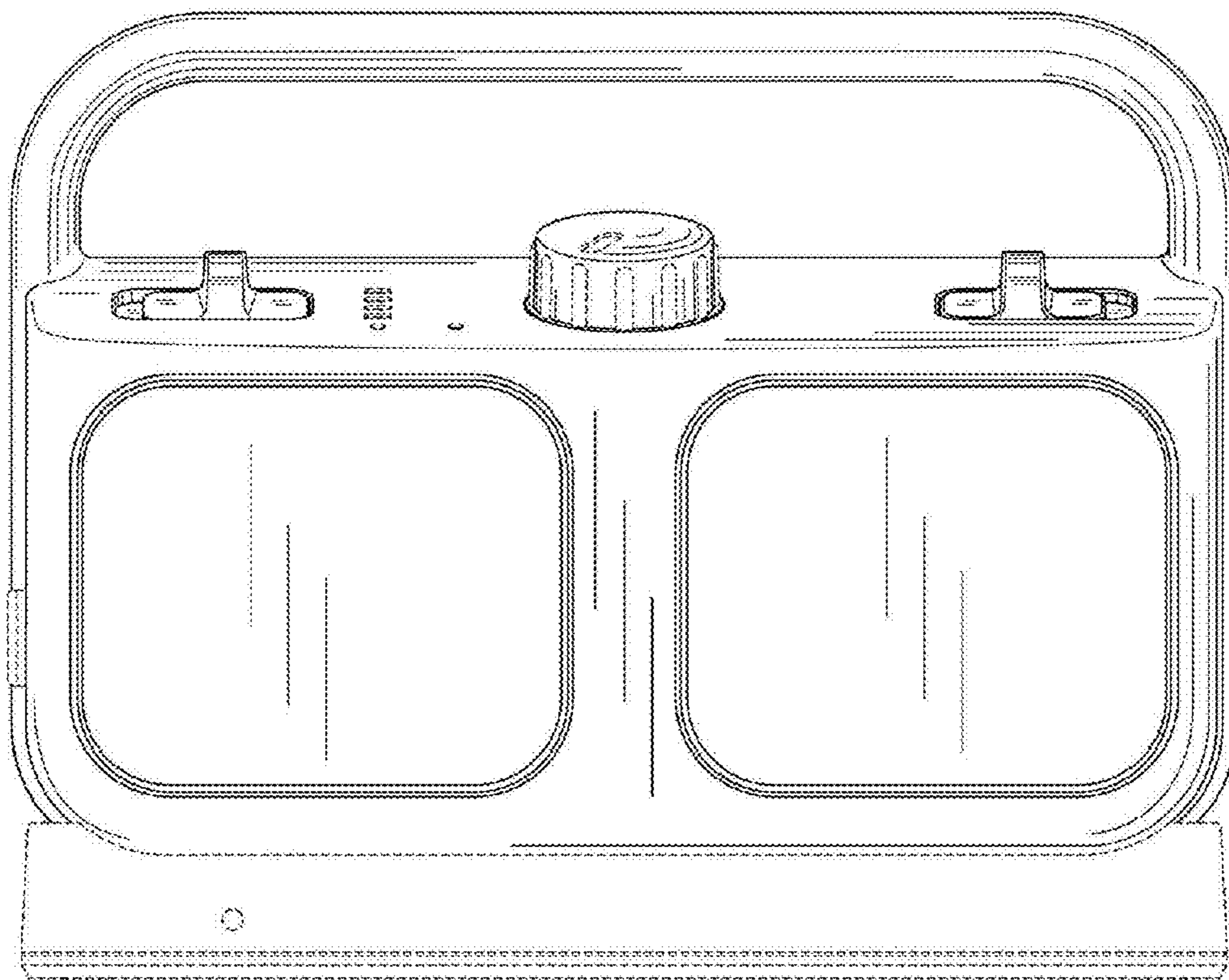


FIG. 3

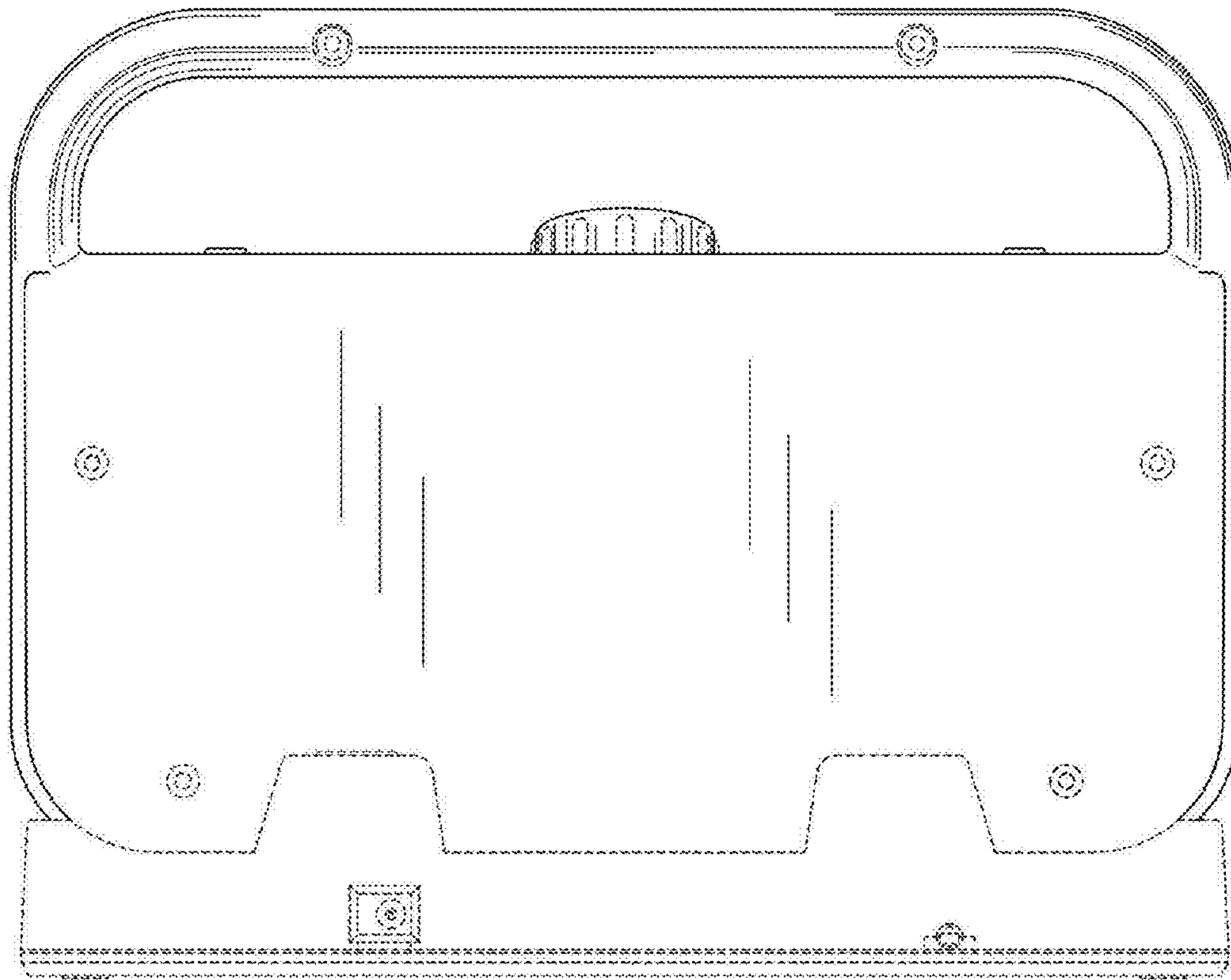


FIG. 4

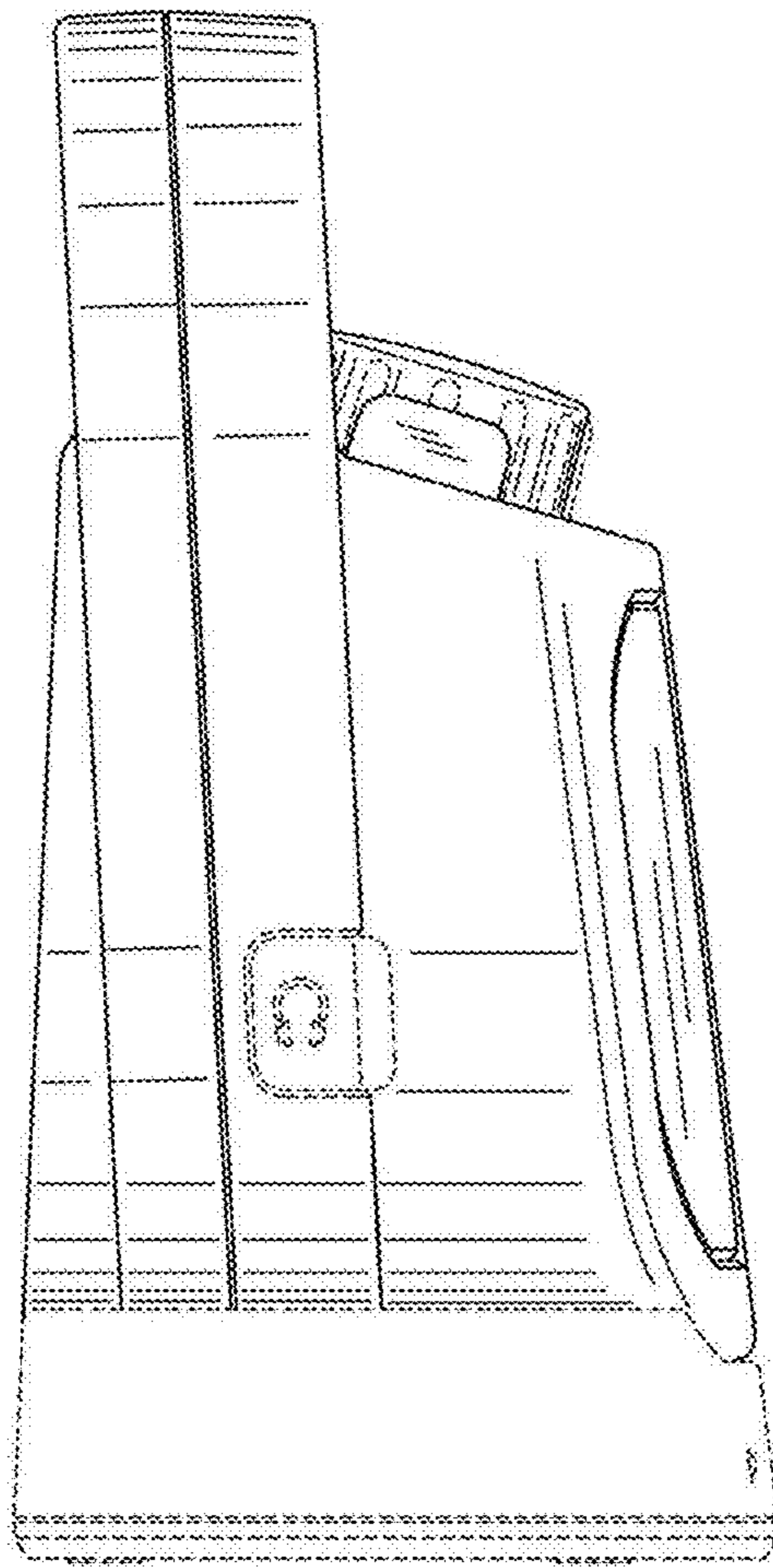


FIG. 5

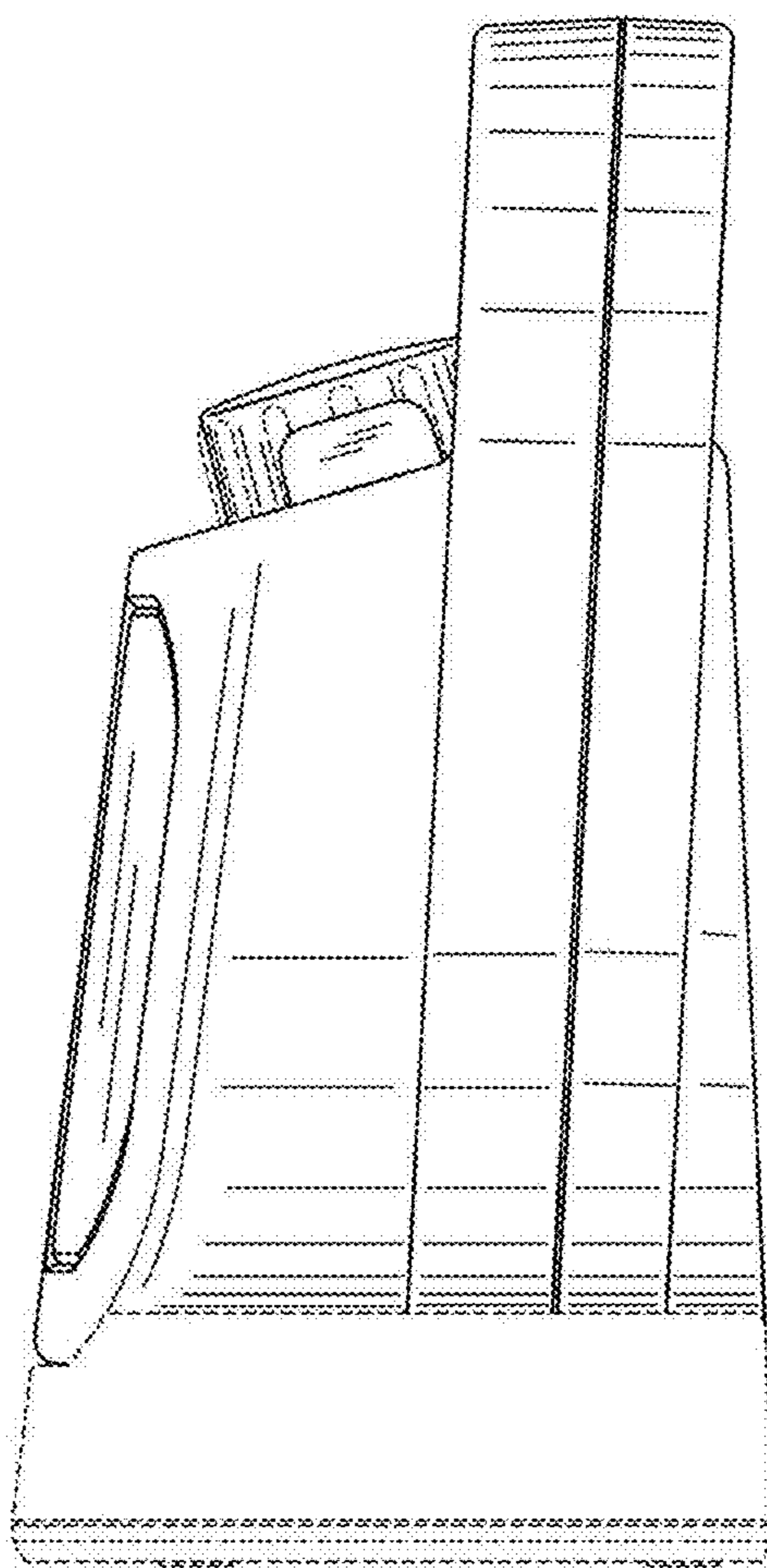


FIG. 6

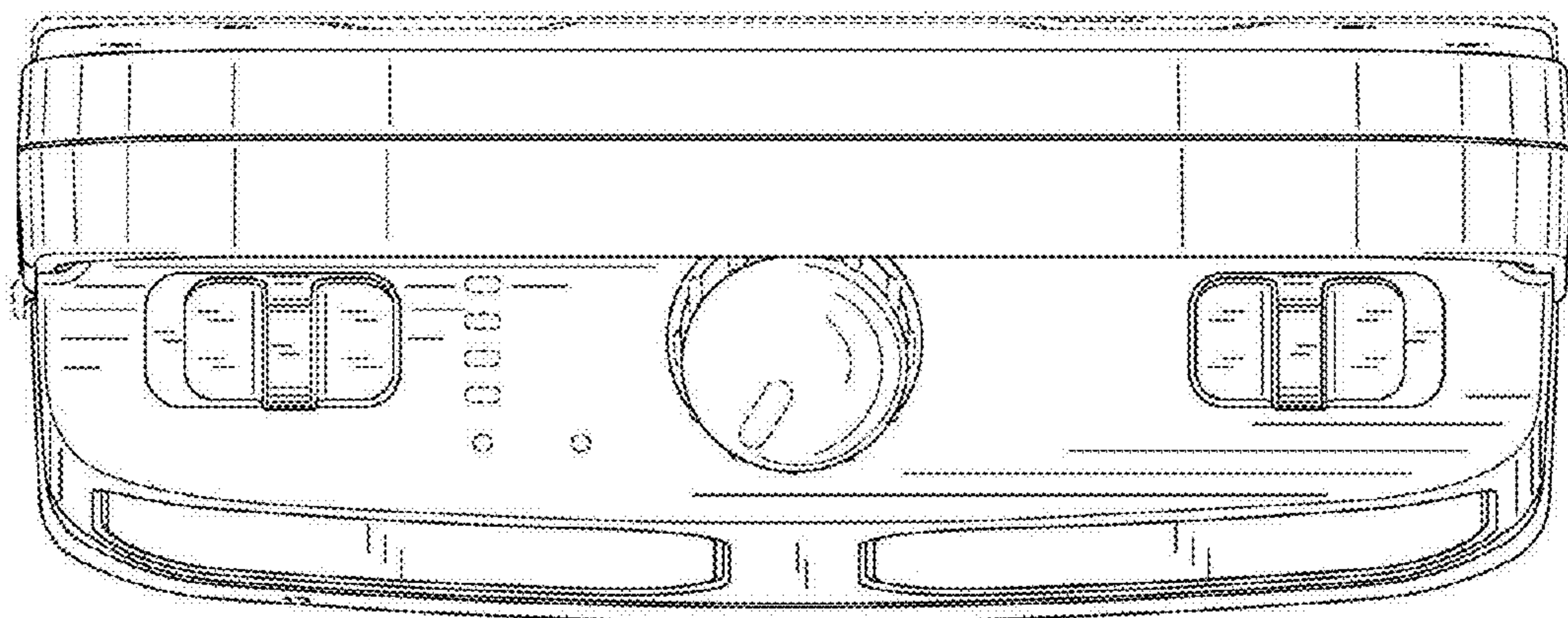


FIG. 7

