



US00D771016S

(12) **United States Design Patent** (10) **Patent No.:** **US D771,016 S**
Matsunaga (45) **Date of Patent:** **** Nov. 8, 2016**

(54) **SPEAKER**

(71) Applicant: **FOSTER ELECTRIC COMPANY, LIMITED**, Tokyo (JP)

(72) Inventor: **Akinori Matsunaga**, Tokyo (JP)

(73) Assignee: **FOSTER ELECTRIC COMPANY LIMITED**, Akishima, Tokyo (JP)

(**) Term: **15 Years**

(21) Appl. No.: **29/530,360**

(22) Filed: **Jun. 16, 2015**

(51) **LOC (10) Cl.** **14-03**

(52) **U.S. Cl.**
USPC **D14/214**

(58) **Field of Classification Search**
USPC D14/167, 168, 170–172, 188, 194–196, D14/204, 207, 209.1, 210–216, 219, 221, D14/222, 224, 239, 496; 181/143, 144, 147, 181/148, 150, 153, 157, 198, 199; 381/300–303, 306, 332, 333, 336, 345, 381/361–364, 386–388; 369/6–12
CPC ... B60R 11/0217; G06F 1/1688; G10K 9/22; G10K 11/004; H03F 1/327; H04M 1/03; H04M 1/035; H04N 5/642; H04N 21/4852; H04R 1/02; H04R 1/06; H04R 1/021; H04R 1/025; H04R 1/026; H04R 1/028; H04R 1/105; H04R 1/323; H04R 1/403; H04R 1/2803; H04R 1/2834; H04R 5/02; H04R 7/20; H04R 9/06; H04R 9/025; H04R 2201/021; H04R 2400/00; H04R 2400/07; H04R 2499/11; H04R 2499/13; H04R 2499/15; H04S 3/00; H04S 7/30

See application file for complete search history.

(56) **References Cited**

U.S. PATENT DOCUMENTS

| | | | |
|--------------|---------|-----------------|---------|
| D533,163 S * | 12/2006 | Takase | D14/215 |
| D535,977 S * | 1/2007 | Suzuki | D14/214 |
| D565,548 S * | 4/2008 | Yoshinaga | D14/214 |
| D565,551 S * | 4/2008 | Yoshinaga | D14/216 |
| D571,358 S * | 6/2008 | Yoshinaga | D14/214 |
| D577,712 S * | 9/2008 | Itoh | D14/214 |
| D593,992 S * | 6/2009 | Takeo | D13/133 |
| D656,920 S * | 4/2012 | Chen | D14/214 |
| D707,204 S * | 6/2014 | Fujiwara | D14/204 |
| D743,376 S * | 11/2015 | Kim | D14/214 |
| D751,526 S * | 3/2016 | Habraken | D14/204 |

* cited by examiner

Primary Examiner — Keli L Hill

(74) *Attorney, Agent, or Firm* — Allen Dyer Doppelt
Milbrath & Gilchrist

(57) **CLAIM**

The ornamental design for a speaker, as shown and described.

DESCRIPTION

FIG. 1 is a front, top, left side perspective view of a speaker, according to an embodiment of the present invention;
FIG. 2 is a rear, bottom, right side perspective view thereof;
FIG. 3 is a front view thereof;
FIG. 4 is a rear view thereof;
FIG. 5 is a right side view thereof;
FIG. 6 is a left side view thereof;
FIG. 7 is a top view thereof;
FIG. 8 is a bottom view thereof; and,
FIG. 9 is a front, top, left side perspective view thereof in an environment of use.
The environment of use depicted in FIG. 9 forms no part of the claimed invention.

1 Claim, 8 Drawing Sheets

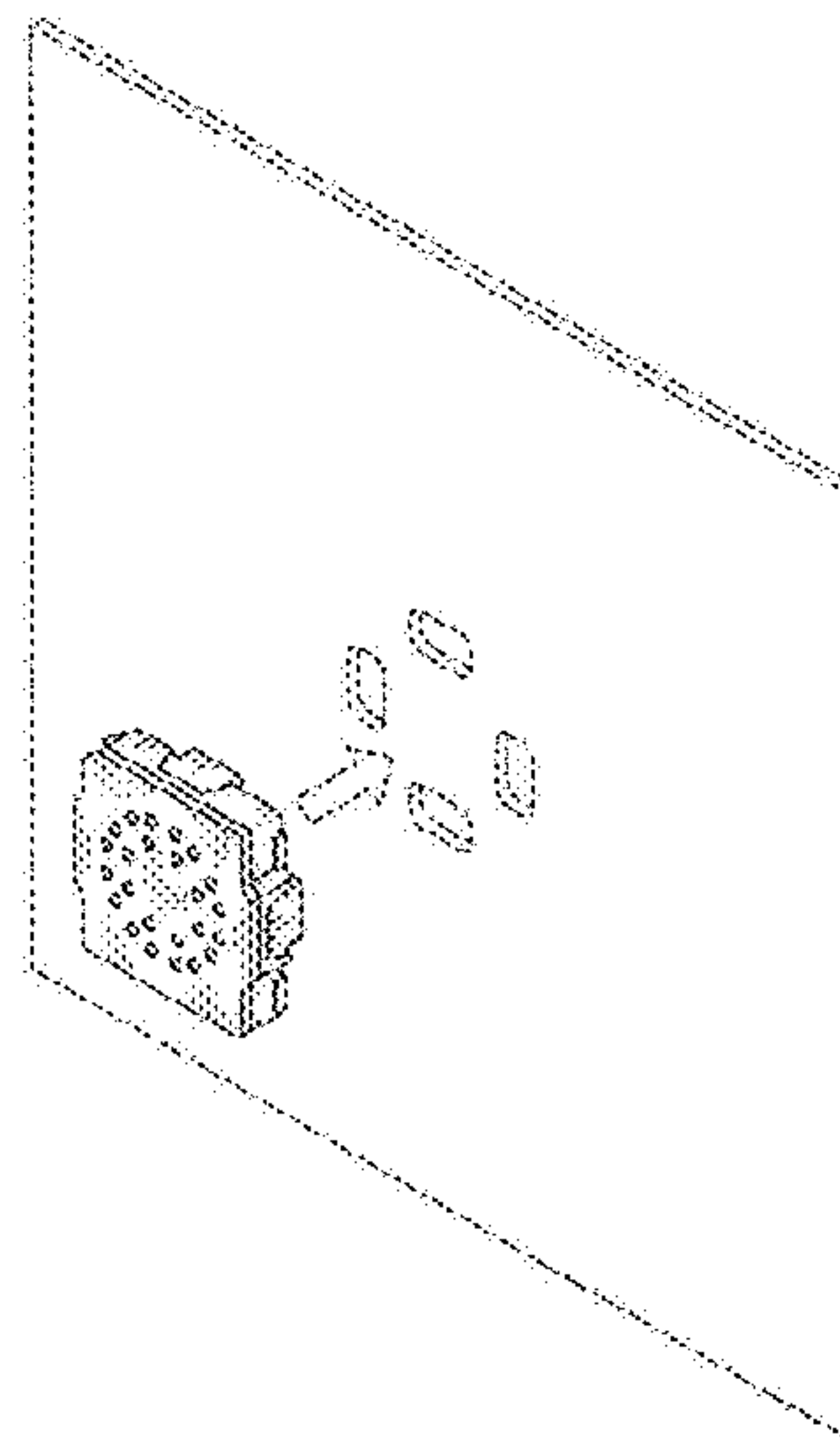
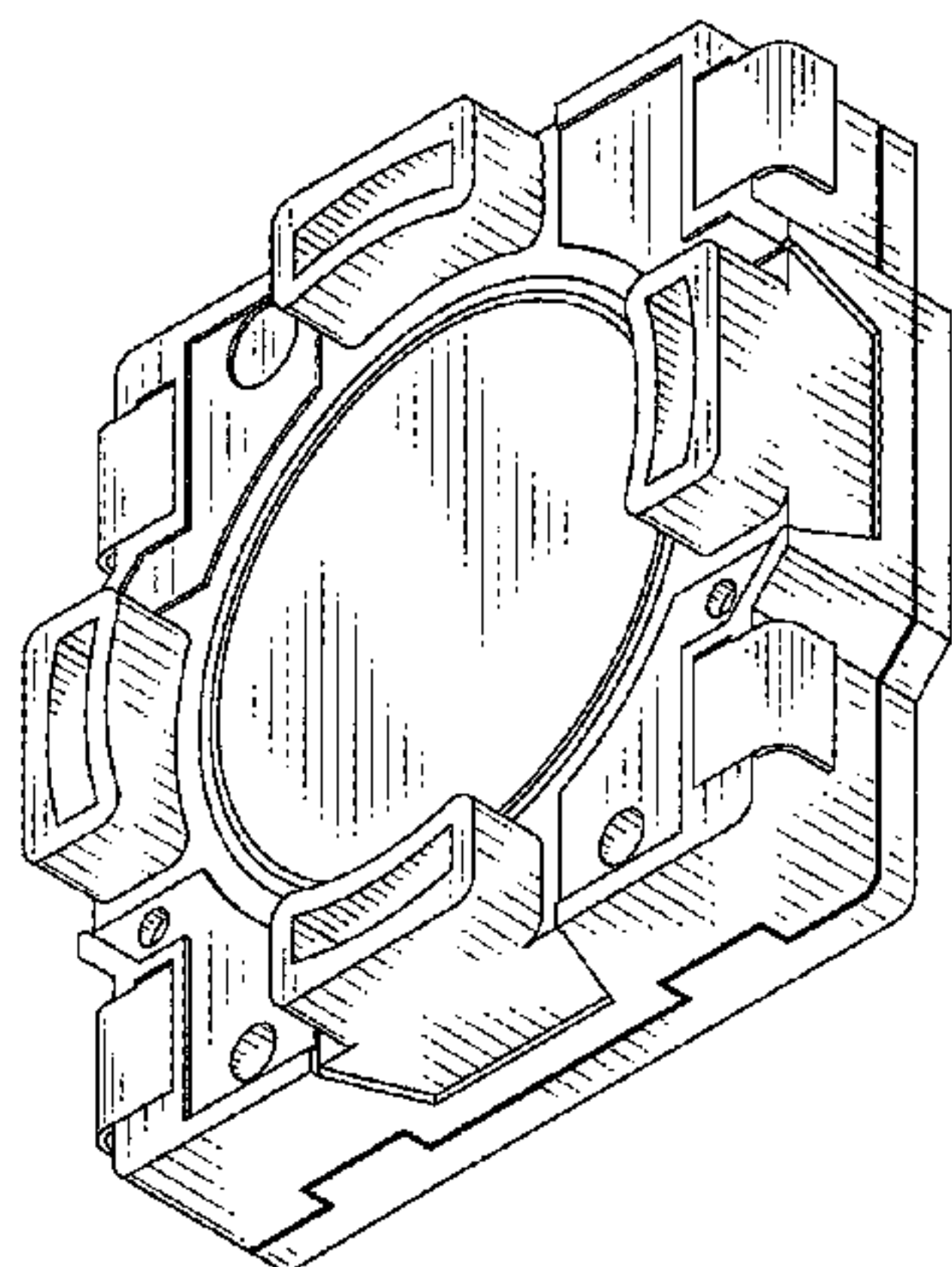


FIG. 1

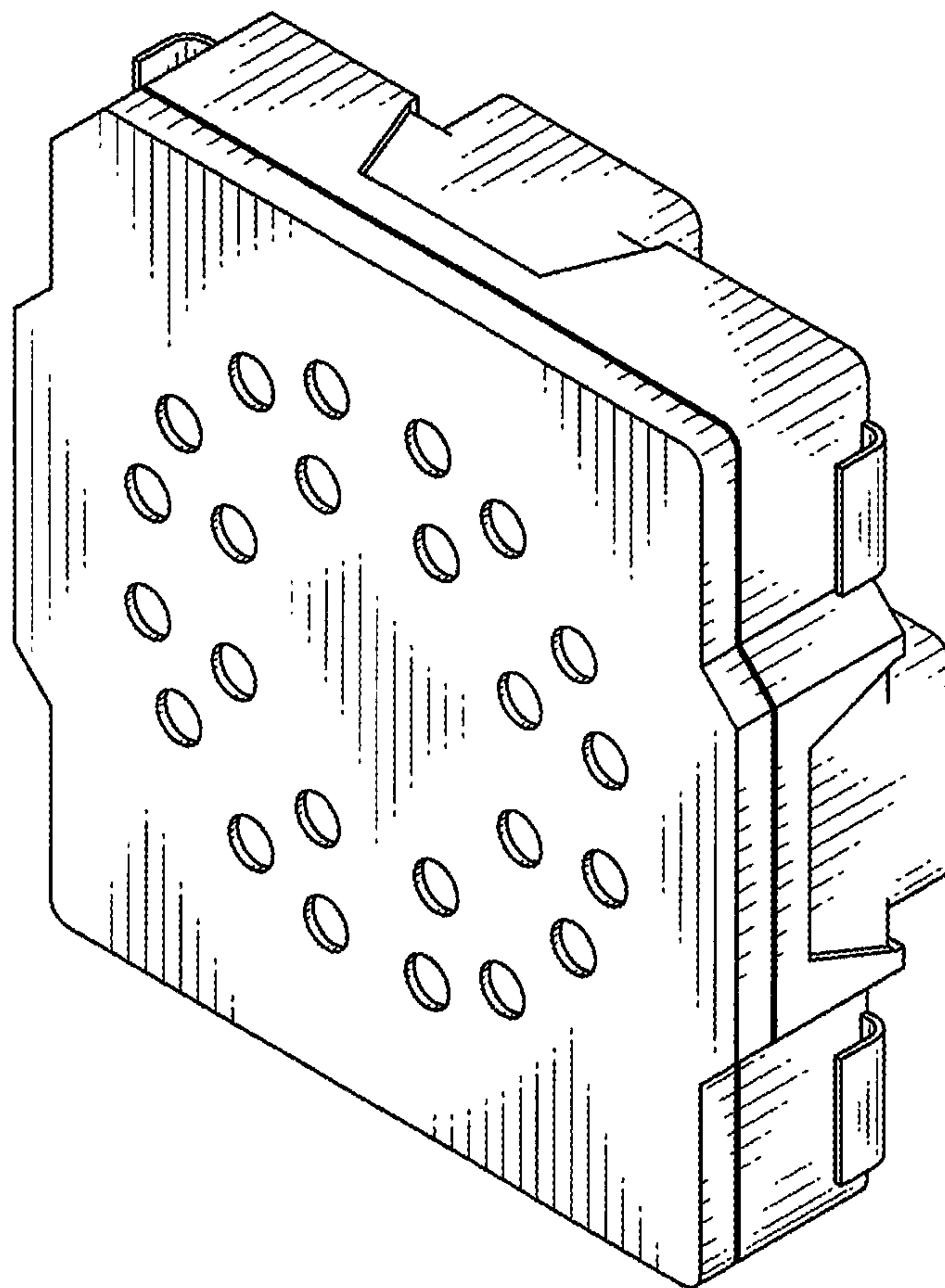


FIG.2

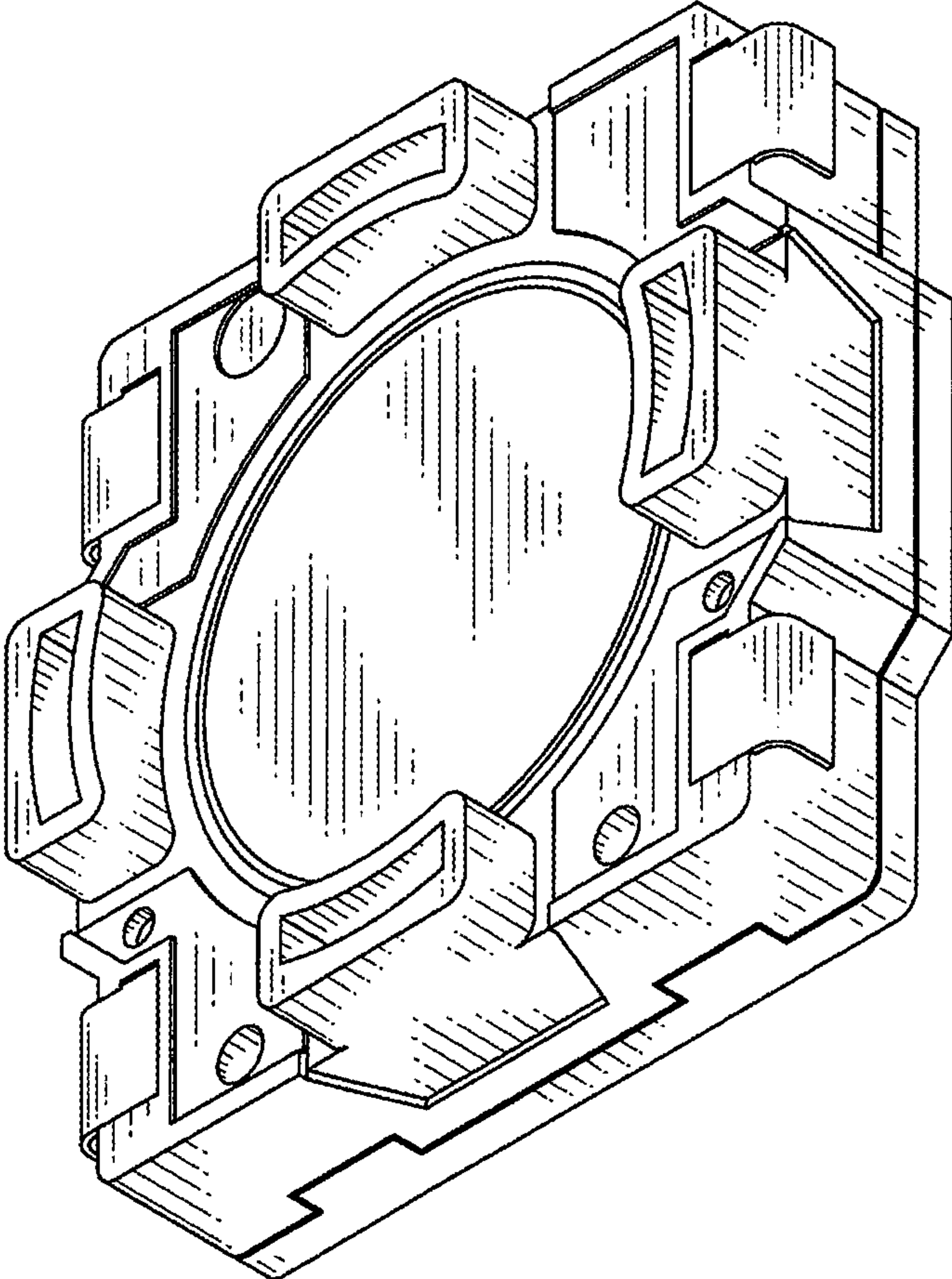


FIG.3

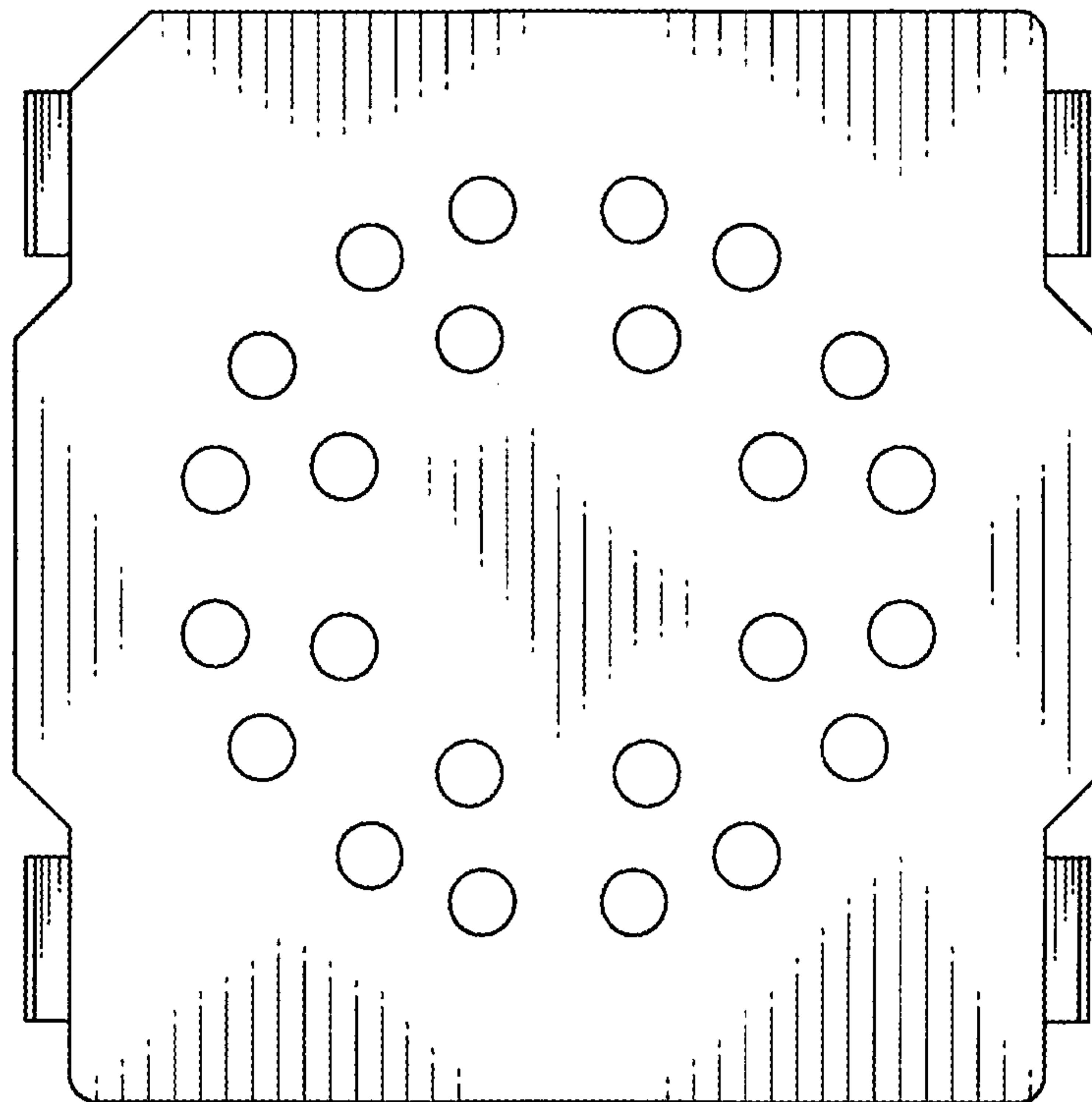


FIG.4

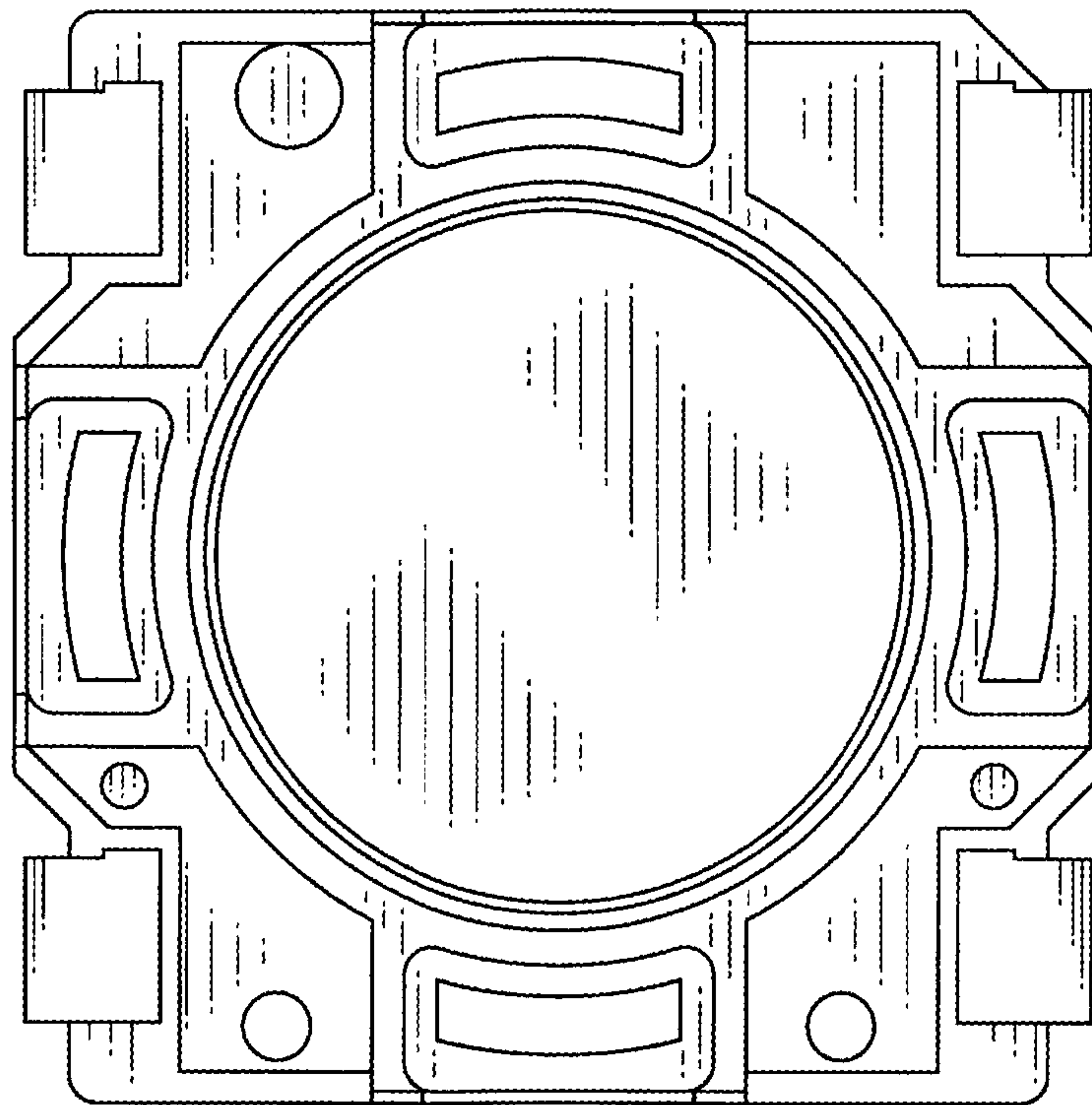


FIG.5

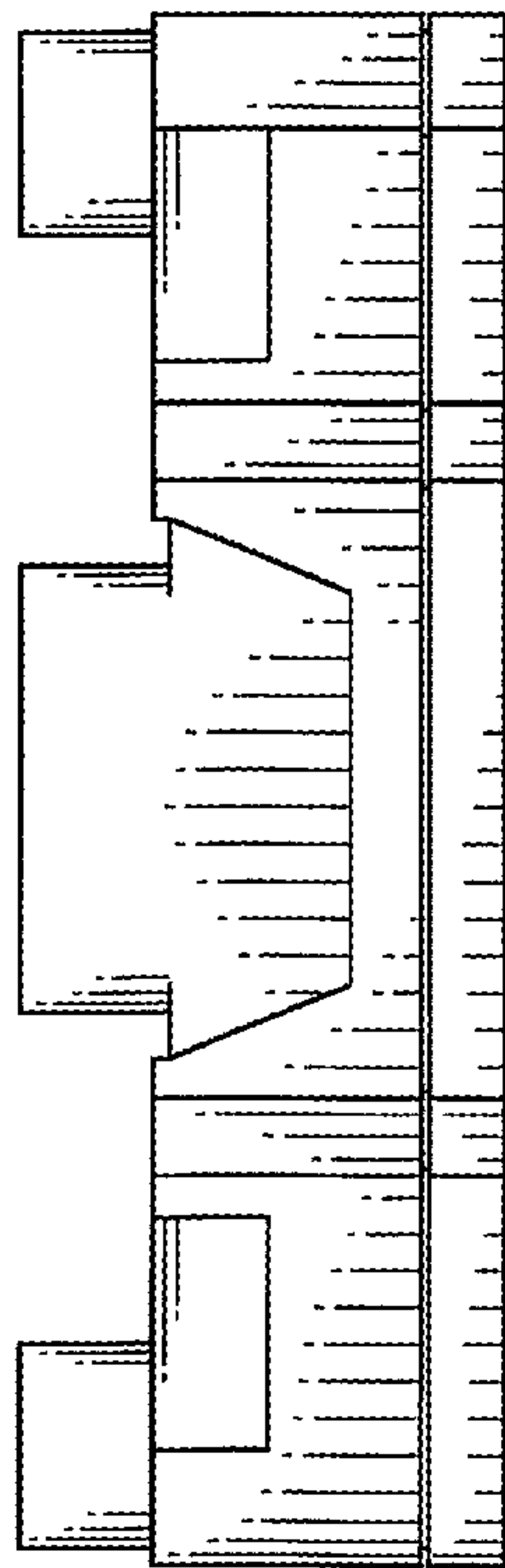


FIG.6

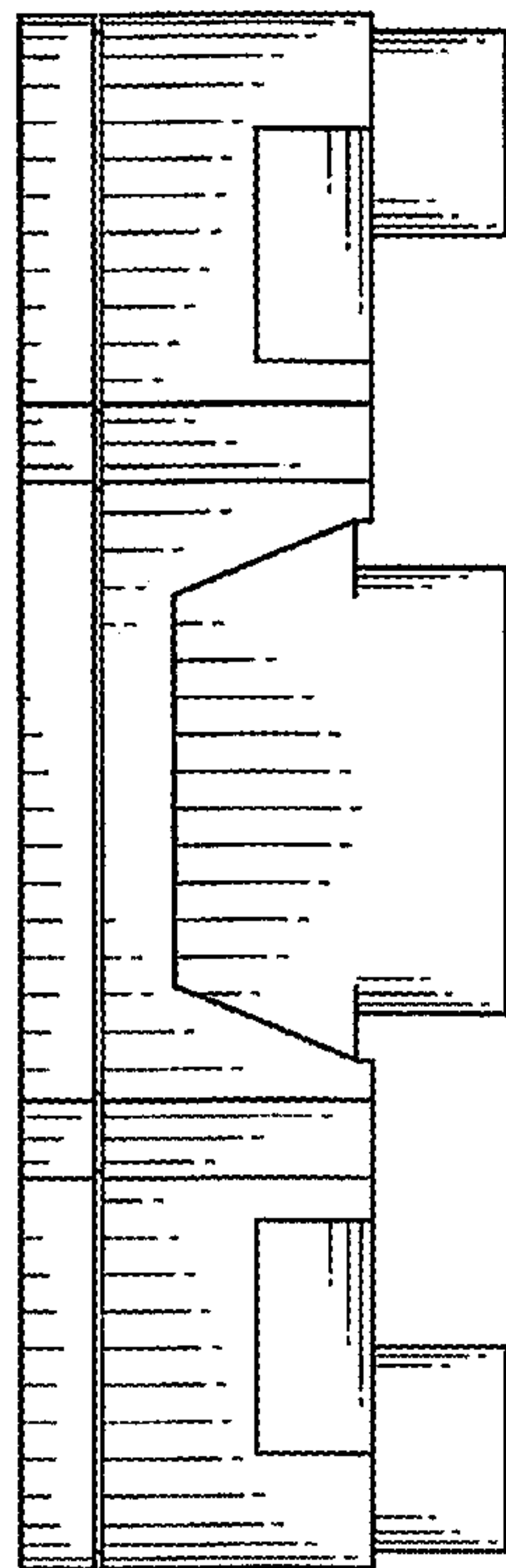


FIG.7

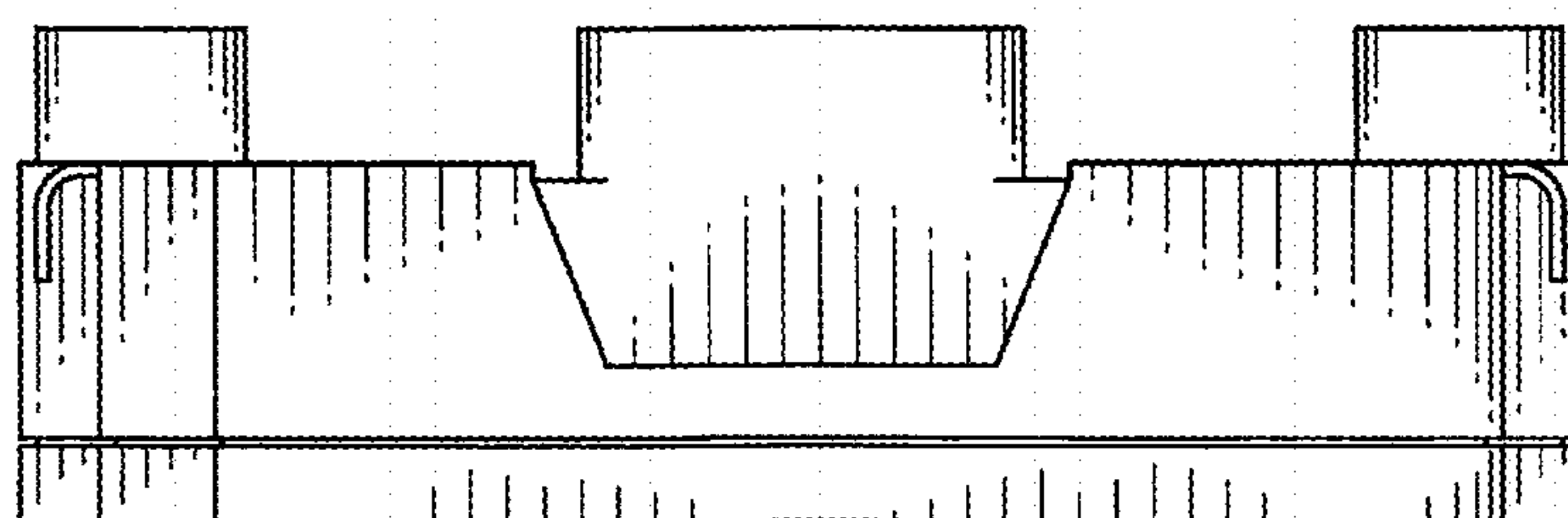


FIG.8

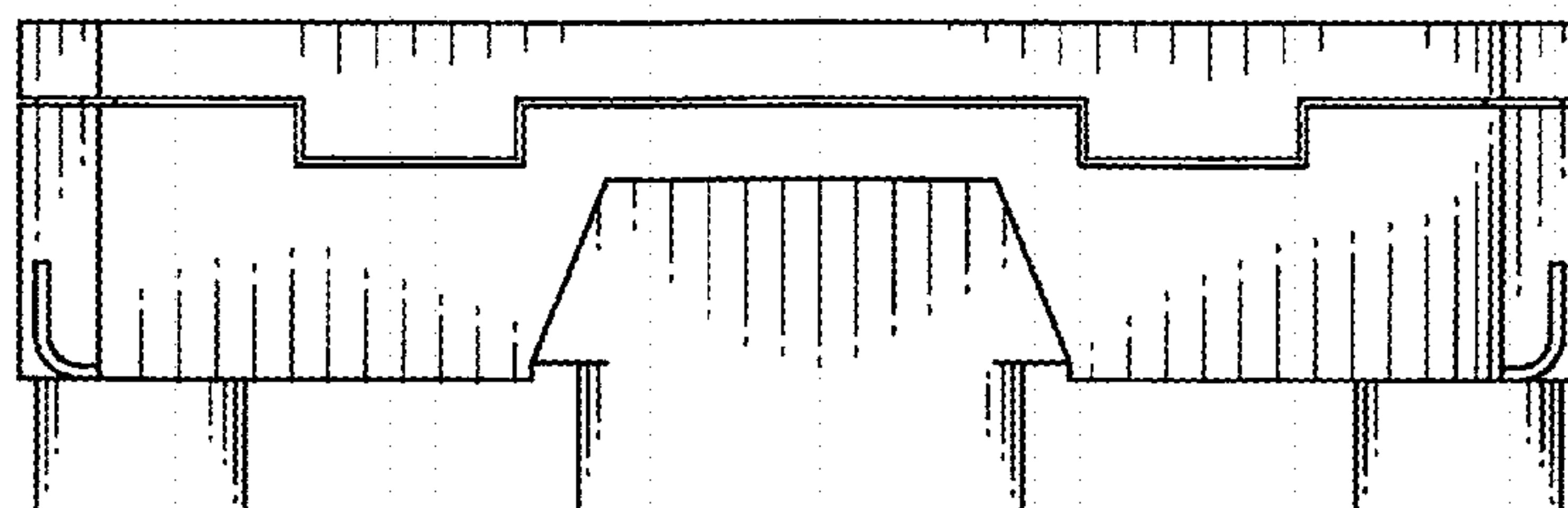


FIG. 9

