



US00D771012S

(12) **United States Design Patent**
Wagner

(10) **Patent No.:** **US D771,012 S**
(45) **Date of Patent:** **** Nov. 8, 2016**

(54) **HEADPHONES**

(71) Applicant: **B&O PLAY A/S**, Struer (DK)

(72) Inventor: **Jakob Wagner**, København Ø (DK)

(73) Assignee: **B&O PLAY A/S**, Struer (DK)

(**) Term: **15 Years**

(21) Appl. No.: **29/532,109**

(22) Filed: **Jul. 1, 2015**

(30) **Foreign Application Priority Data**

Jan. 16, 2015 (EM) 002615153-0001

(51) **LOC (10) Cl.** **14-01**

(52) **U.S. Cl.**
USPC **D14/205**

(58) **Field of Classification Search**
USPC D14/205, 206, 225; D29/112, 122;
2/209; 181/129, 130, 135; 379/430,
379/431; 381/380, 381, 74, 370, 374, 378,
381/183, 327, 385; 455/90.3, 575.2
CPC H04R 1/1066; H04R 25/00; H04R 1/10;
H04R 1/105
See application file for complete search history.

(56) **References Cited**

U.S. PATENT DOCUMENTS

2,537,201 A * 1/1951 Amfitheatrof A61F 11/008
181/136
4,634,816 A * 1/1987 O'Malley H04M 1/05
379/430
D297,324 S * 8/1988 Kohno D14/205
D316,861 S * 5/1991 Yoda D14/205
D318,669 S * 7/1991 Nakayama D14/205
D328,461 S * 8/1992 Daido D14/205
5,459,290 A * 10/1995 Yamagishi H04R 1/1075
181/129
D373,360 S * 9/1996 Kanno D14/205

D375,312 S * 11/1996 Kanno D14/205
D377,021 S * 12/1996 Isono D14/205
D484,485 S * 12/2003 Matsuoka D14/205
D502,938 S * 3/2005 Tokioka D14/205
D532,407 S * 11/2006 Motoishi D14/205
D544,464 S * 6/2007 Lee D14/205
D584,715 S * 1/2009 Brennwald D14/205
D588,098 S * 3/2009 Kurihara D14/205
D594,847 S * 6/2009 Suzuki D14/205
7,580,539 B2 * 8/2009 Tachikawa H04R 1/1066
381/374
D600,674 S * 9/2009 Brennwald D14/205
D639,776 S * 6/2011 Arimoto D14/205
8,098,872 B2 * 1/2012 Chang H04R 1/1075
381/370
D656,125 S * 3/2012 Komiyama D14/205
D665,775 S * 8/2012 Katsumata D14/205
D675,595 S * 2/2013 Cho D14/205
D684,140 S * 6/2013 Enquist D14/205
D691,109 S * 10/2013 Hardi D14/205
D704,161 S * 5/2014 Morimoto D14/205
D706,240 S * 6/2014 Szymanski D14/205
D706,241 S * 6/2014 Szymanski D14/205
D706,242 S * 6/2014 Yang D14/205
D707,653 S * 6/2014 Hardi D14/205

(Continued)

Primary Examiner — Paula Greene

(74) *Attorney, Agent, or Firm* — Dykema Gossett PLLC

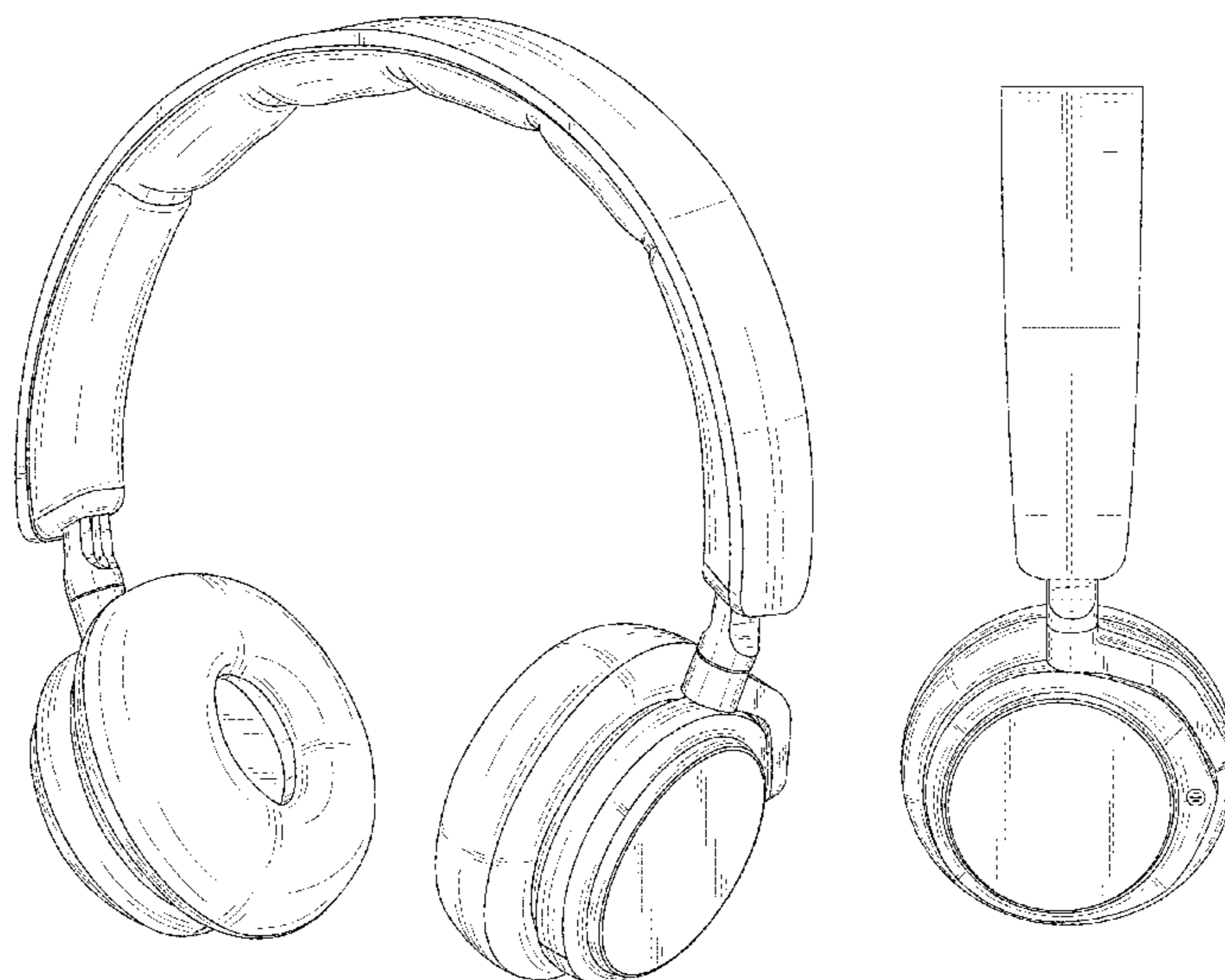
(57) **CLAIM**

The ornamental design for headphones, as shown and described.

DESCRIPTION

FIG. 1 is a front, side, and top perspective view of headphones showing my design;
FIG. 2 is a front elevation view of FIG. 1;
FIG. 3 is a rear elevation view of FIG. 1;
FIG. 4 is a left side elevation view of FIG. 1;
FIG. 5 is a right side elevation view of FIG. 1;
FIG. 6 is a top plan view of FIG. 1; and,
FIG. 7 is a bottom plan view of FIG. 1.

1 Claim, 5 Drawing Sheets



US D771,012 S

Page 2

(56)

References Cited

U.S. PATENT DOCUMENTS

D708,163 S * 7/2014 Ishikura D14/205
D712,375 S * 9/2014 Miyake D14/205
D727,289 S * 4/2015 Czaniecki D14/205
D728,512 S * 5/2015 Nakagawa D14/205

D729,194 S * 5/2015 Boeckel D14/205
D733,090 S * 6/2015 Petersen D14/205
D750,593 S * 3/2016 Hardi D14/205
D759,626 S * 6/2016 Wagner D14/205
2007/0165899 A1* 7/2007 Garin H04R 5/0335
381/377

* cited by examiner



FIG. 1



FIG. 2



FIG. 3

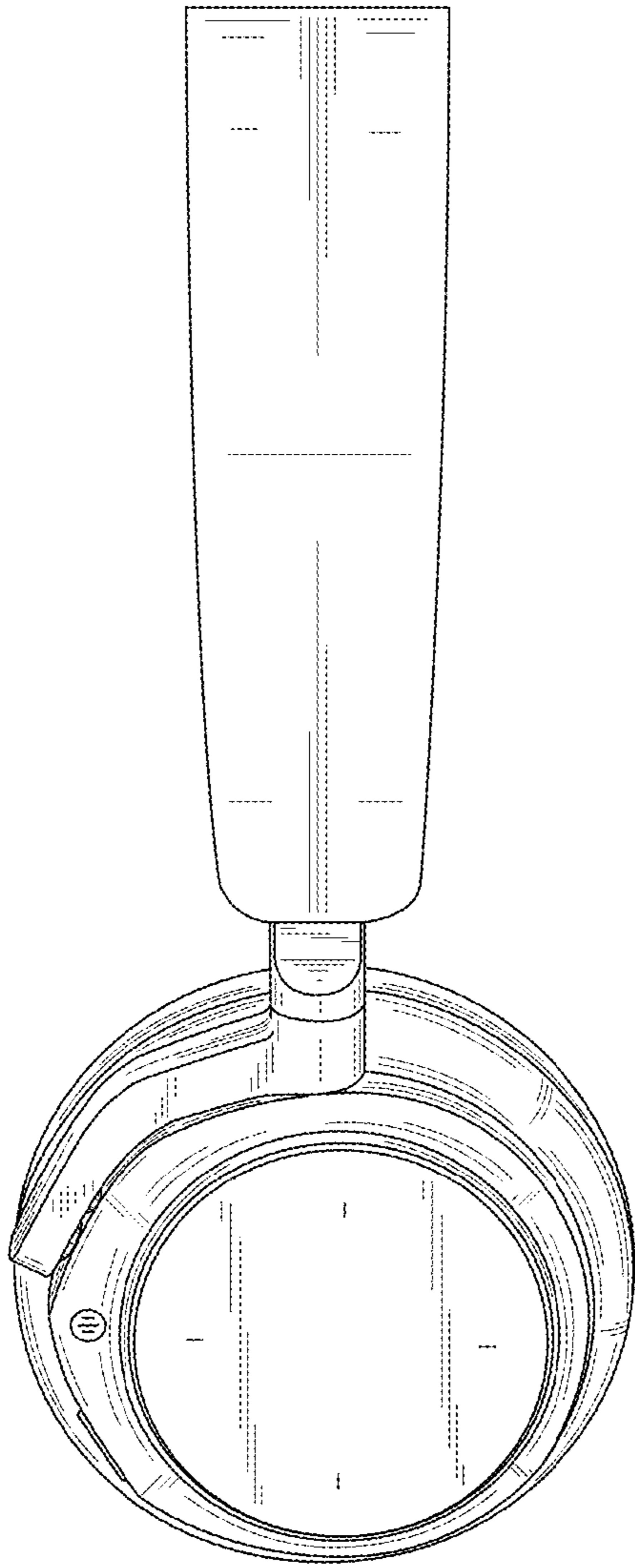


FIG. 4

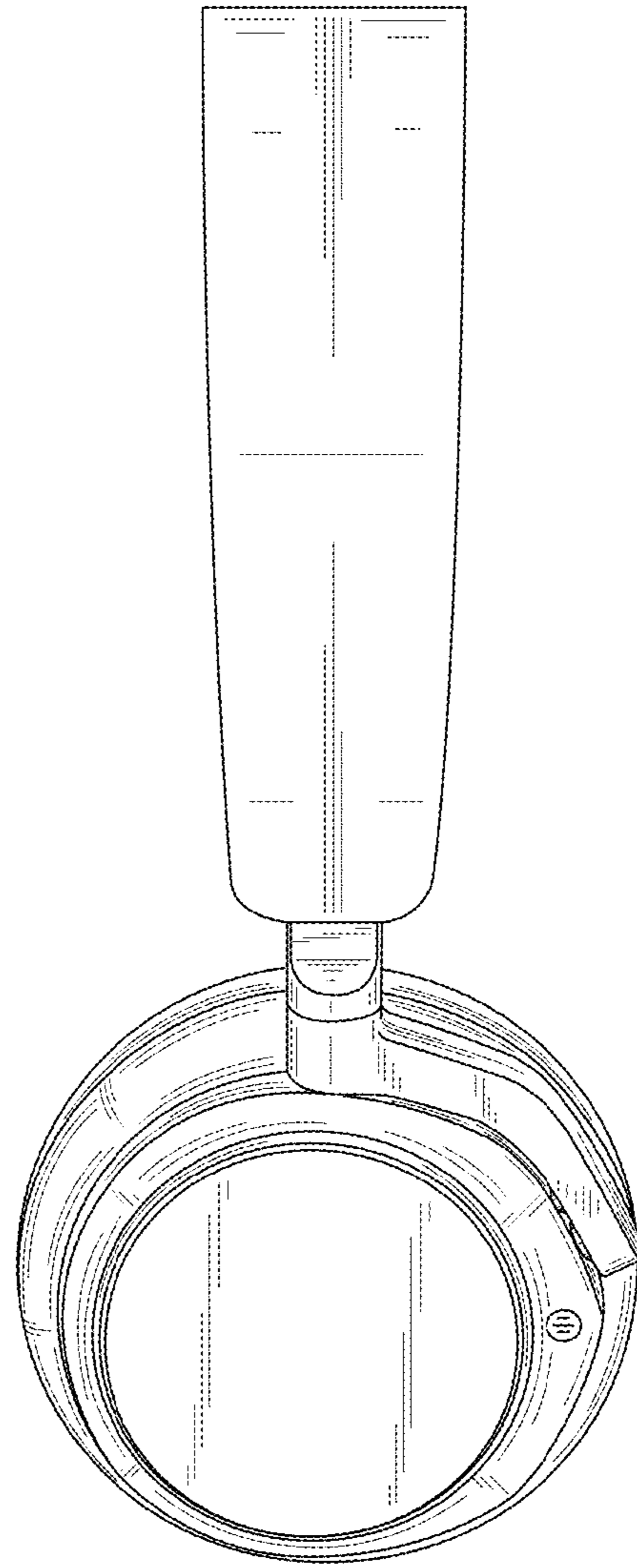


FIG. 5

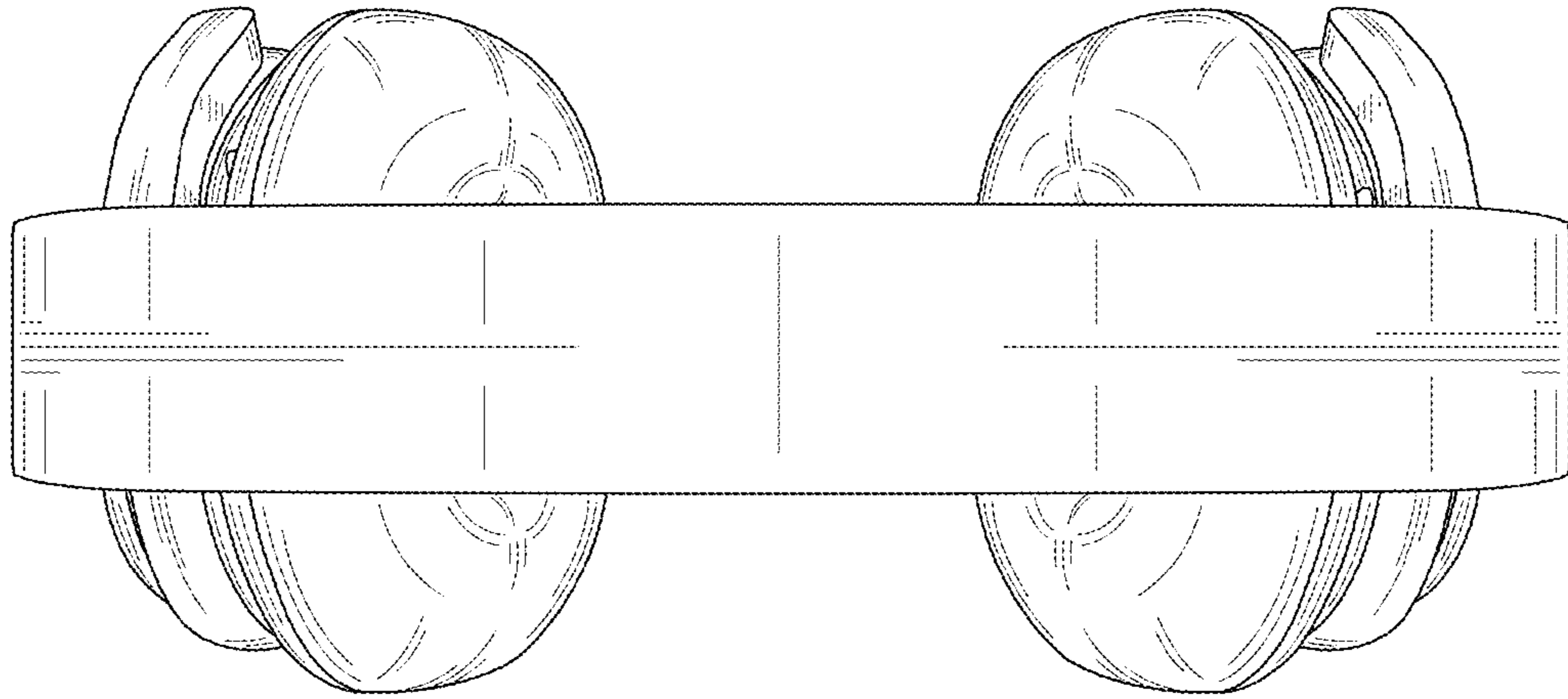


FIG. 6

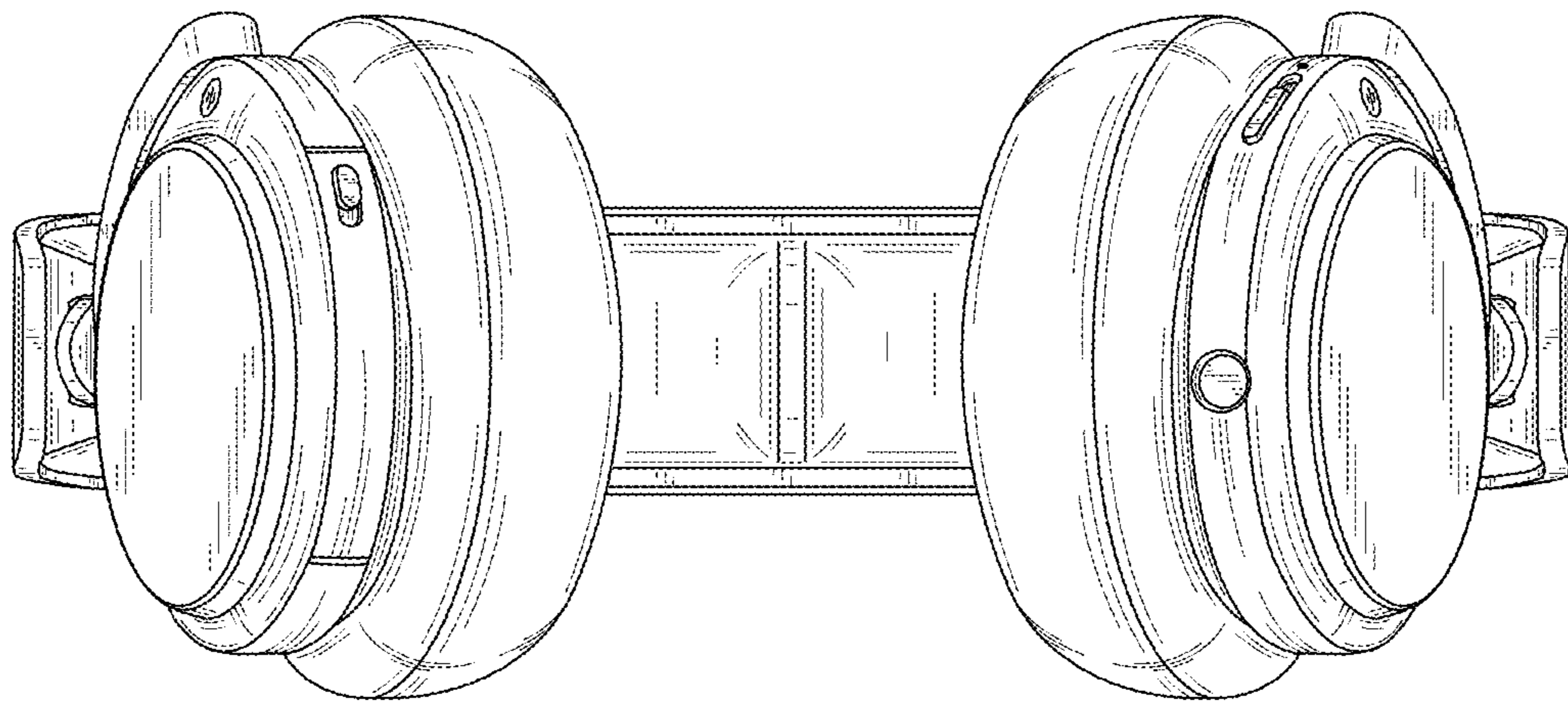


FIG. 7